



US00D355071S

# United States Patent [19]

[11] Patent Number: **Des. 355,071**

Stull

[45] Date of Patent: **\*\* Feb. 7, 1995**

[54] **COMPARTMENTALIZED FISHING POLE AND ACCESSORY CARRIER**

5,263,276 11/1993 Washington ..... 43/25.2

[76] Inventor: **Ronald B. Stull**, P.O. Box 134, Maidsville, W. Va. 26541

*Primary Examiner*—A. Hugo Word  
*Assistant Examiner*—Doris V. Coles  
*Attorney, Agent, or Firm*—Rhodes & Ascolillo

[\*\*] Term: **14 Years**

[57] **CLAIM**

[21] Appl. No.: **10,274**

The ornamental design for a compartmentalized fishing pole and accessory carrier, as shown and described.

[22] Filed: **Jul. 6, 1993**

[52] U.S. Cl. .... **D3/260**

### DESCRIPTION

[58] Field of Search ..... **D3/260; D22/147, 139, D22/134; 43/25.2, 26; 206/315.11**

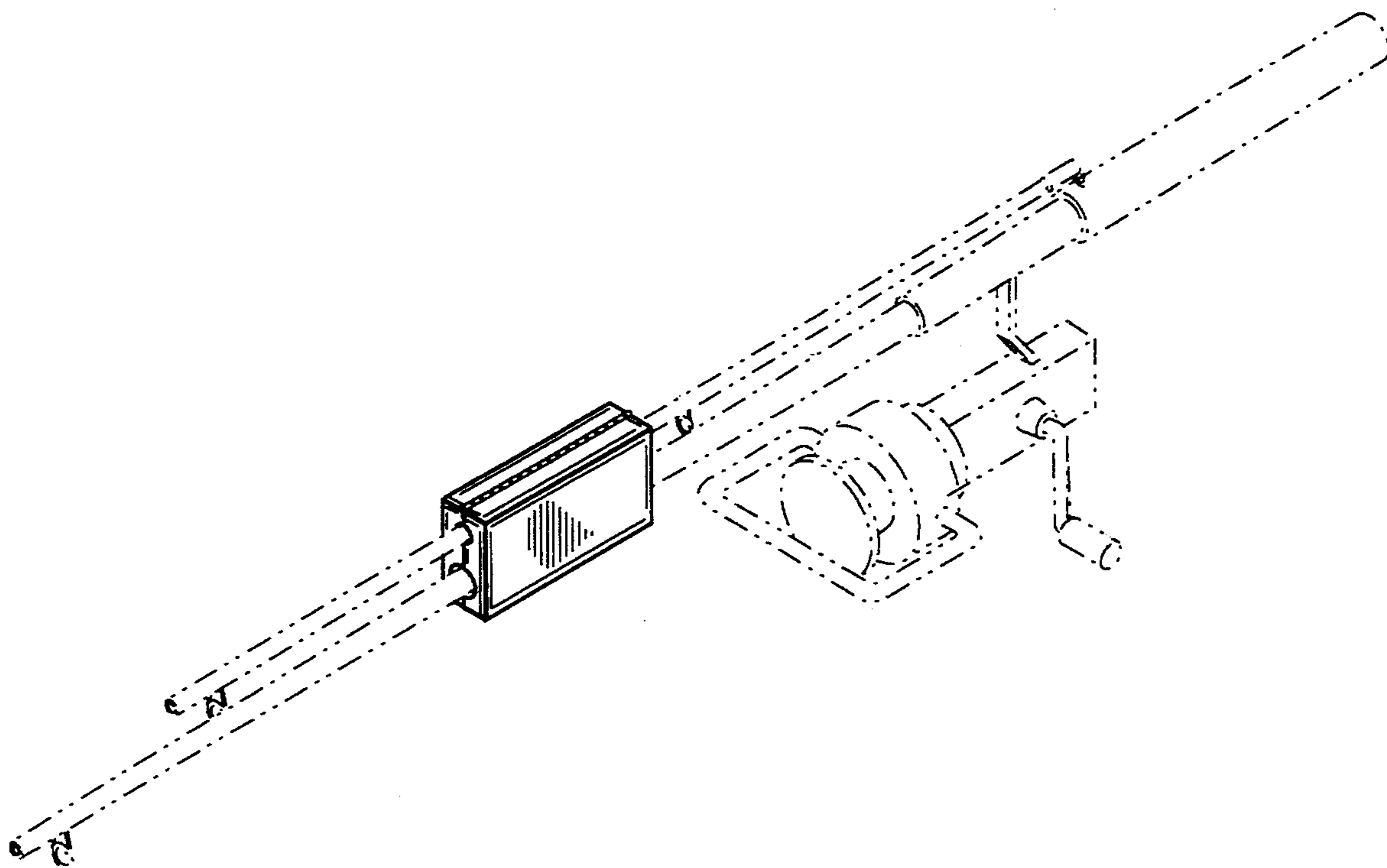
FIG. 1 is a perspective view of a compartmentalized fishing pole and accessory carrier in a closed configuration showing my new design therefor. The broken line drawing depicting a fishing rod and reel is for purposes of illustration only and forms no part of my design;

### [56] References Cited

#### U.S. PATENT DOCUMENTS

D. 252,115	6/1979	Herring	.....	D3/260
D. 275,338	9/1984	Bailey	.....	D22/134 X
D. 311,449	10/1990	Paschal	.....	D22/147 X
2,767,502	10/1956	Reynolds	.....	43/25.2
4,920,683	5/1990	Weber	.....	D22/136 X
4,944,111	7/1990	Daniel	.....	43/25.2
4,946,034	8/1990	Matsubara	.....	206/315.11

FIG. 2 is a perspective view;  
FIG. 3 is a front elevational view;  
FIG. 4 is a rear elevational view;  
FIG. 5 is a left side elevational view, the right side elevational view being a mirror image thereof;  
FIG. 6 is a top plan view; and,  
FIG. 7 is a bottom plan view.



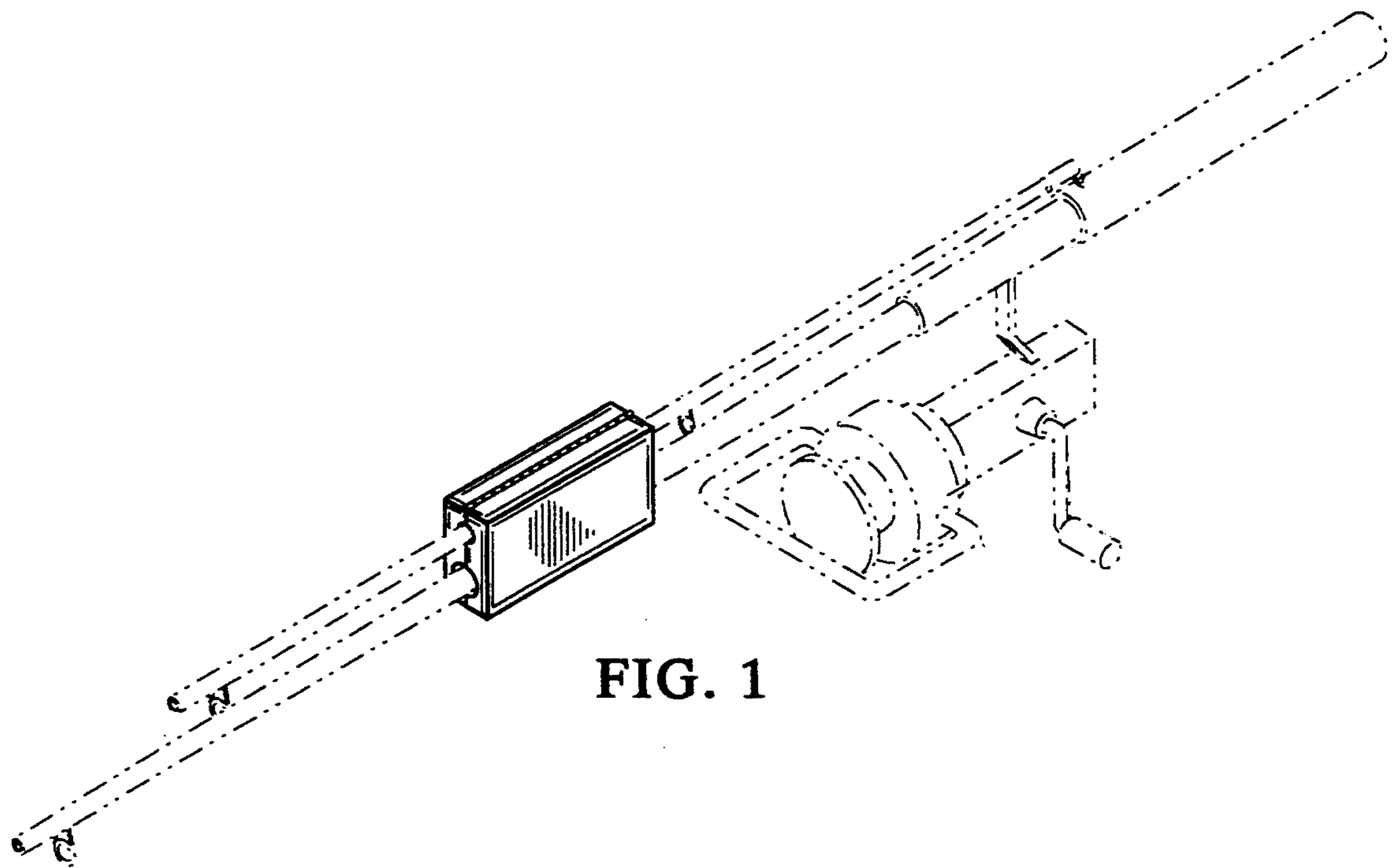


FIG. 1

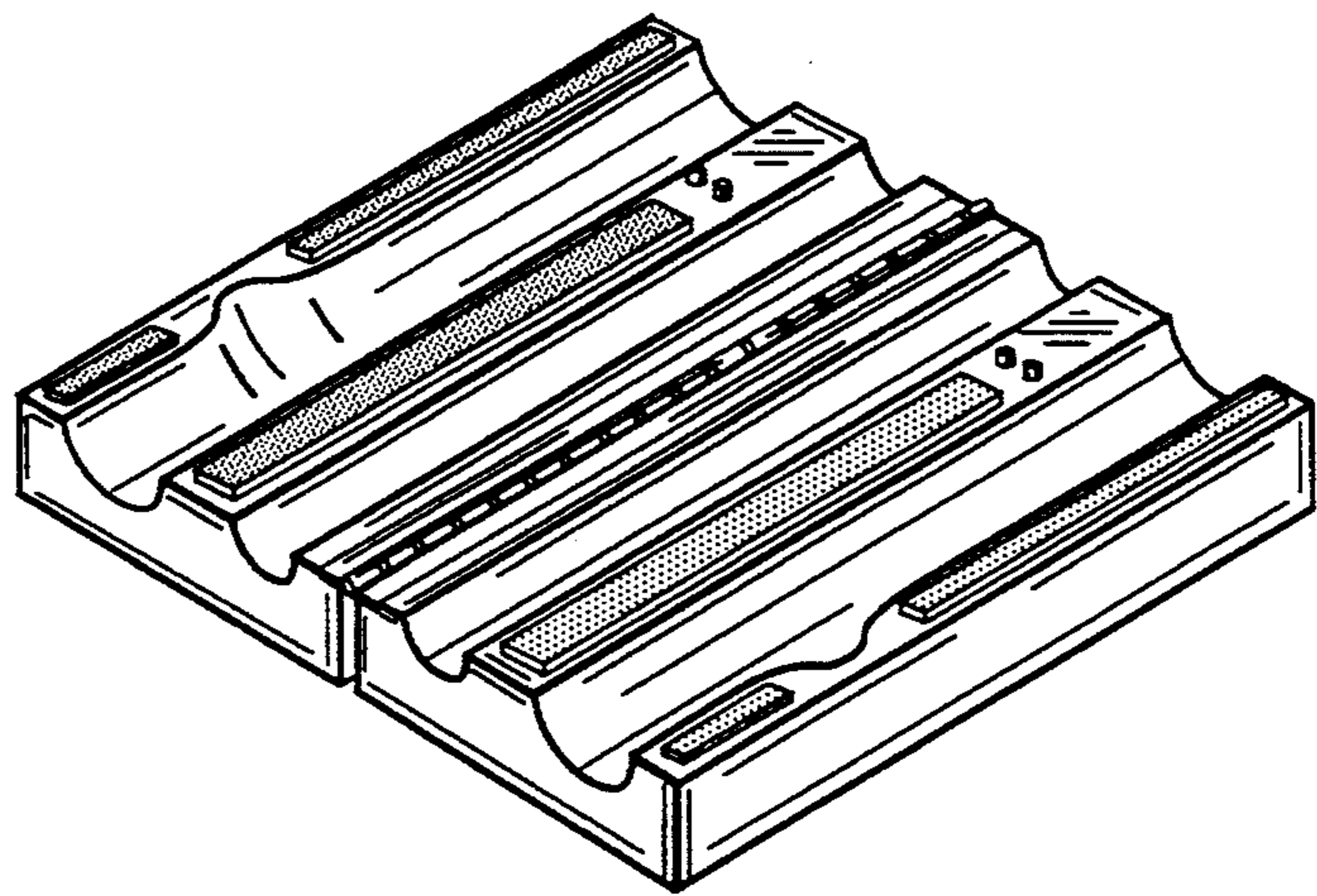


FIG. 2



FIG. 3

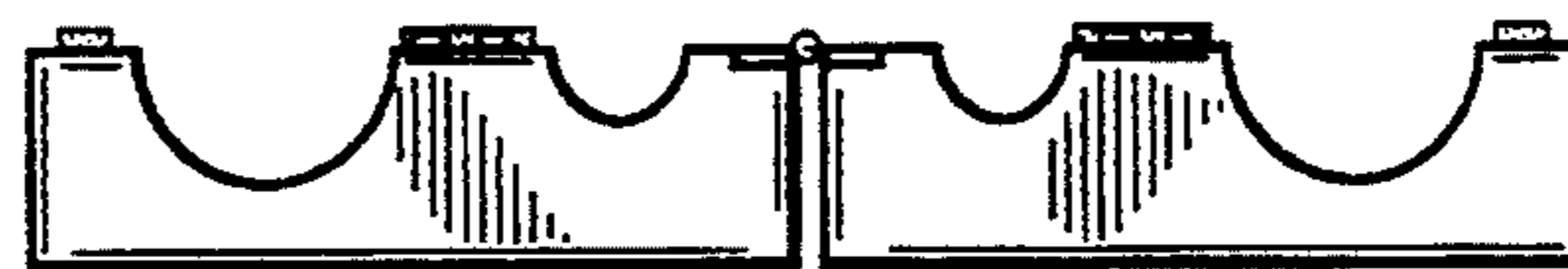


FIG. 4



FIG. 5

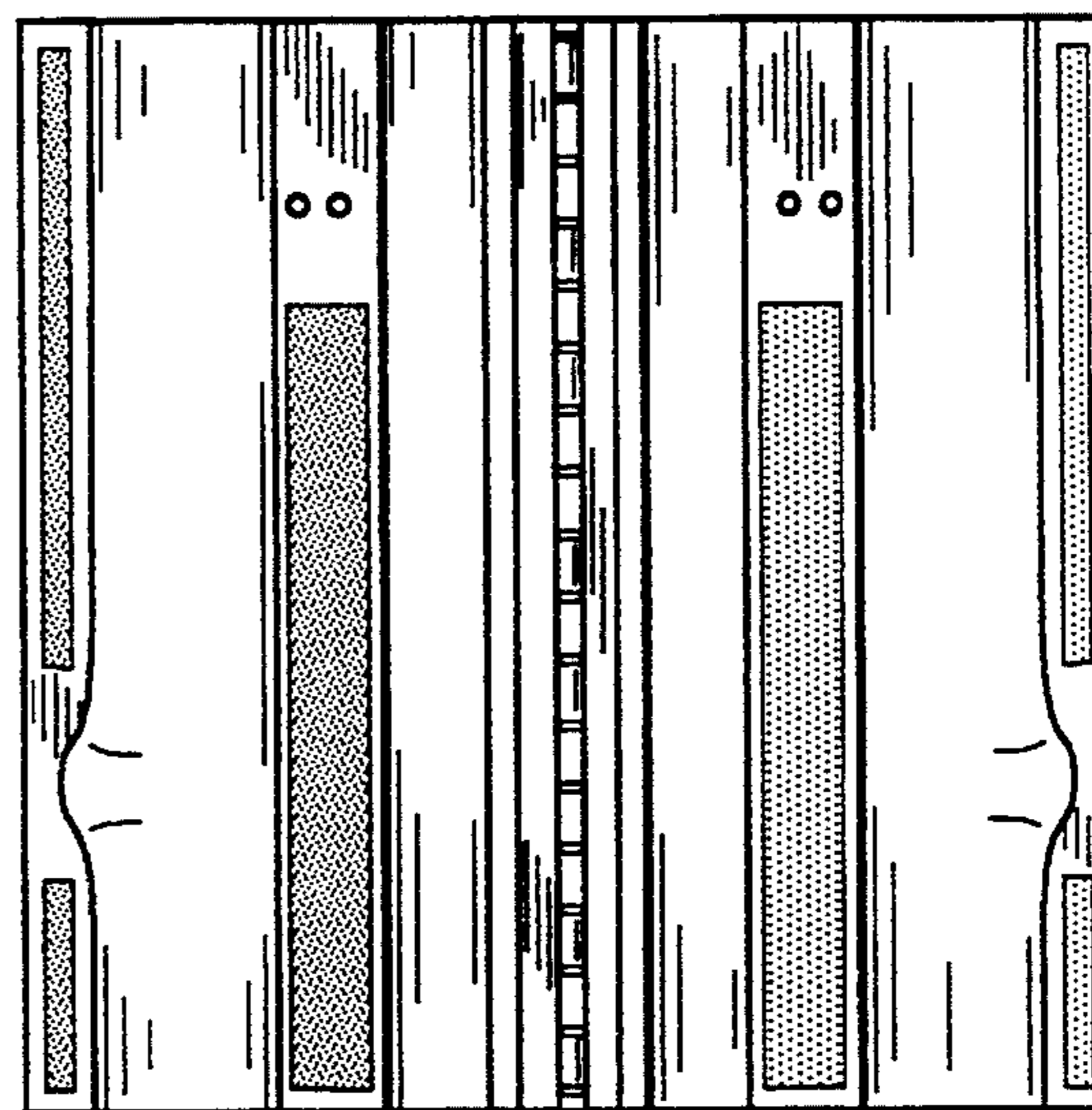


FIG. 6

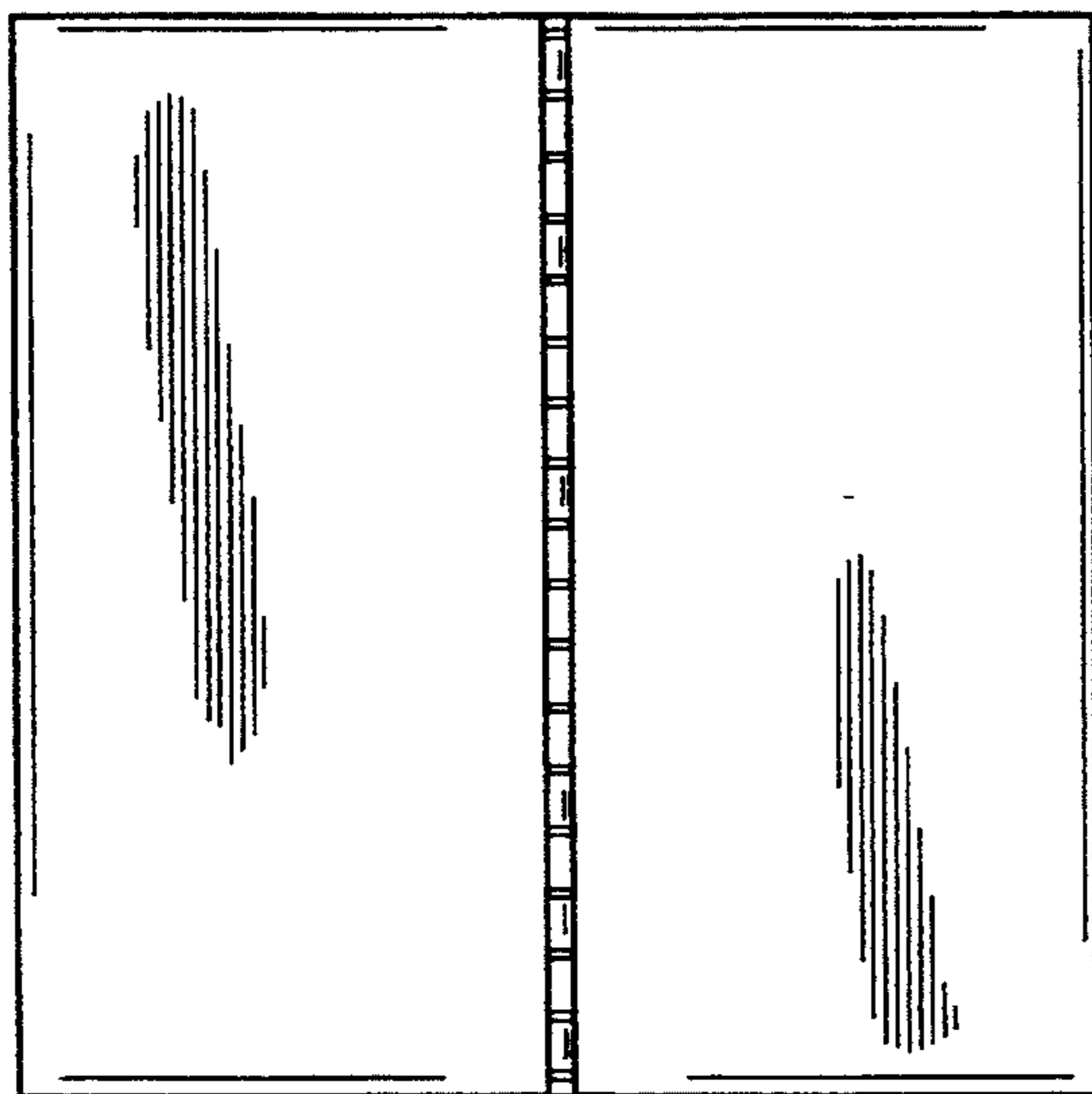


FIG. 7