



US00D355063S

United States Patent [19]

[11] Patent Number: **Des. 355,063**

Pirnat

[45] Date of Patent: **** Jan. 31, 1995**

[54] **DISPLAY HOLDER FOR GROCERY CARTS**

[76] Inventor: **Mike R. Pirnat**, 4523 Ventura Way,
Union City, Calif. 94587

[**] Term: **14 Years**

[21] Appl. No.: **14,366**

[22] Filed: **Oct. 20, 1993**

[52] U.S. Cl. **D34/27; D19/88**

[58] Field of Search **D34/27; 280/33.992,**
280/33.993, 33.991; 224/277, 42.43, 227, 273,
42.41; D19/75, 77, 84, 88

[56] **References Cited**

U.S. PATENT DOCUMENTS

- 4,156,318 5/1979 Economy 280/33.992
- 4,274,567 6/1981 Sawyer 280/33.992
- 4,619,386 10/1986 Richardson 224/277
- 4,901,901 2/1990 Reitenour .

4,966,318 10/1990 Dutka .

5,086,960 2/1992 Schwietzer .

5,154,330 10/1992 Haynes 224/277

Primary Examiner—Kay H. Chin

Attorney, Agent, or Firm—Terry M. Gernstein

[57] **CLAIM**

The ornamental design for a display holder for grocery carts, as shown and described.

DESCRIPTION

FIG. 1 is a front, top and side perspective view of the display holder for grocery carts embodying the design of the present invention;

FIG. 2 is a front elevational view thereof;

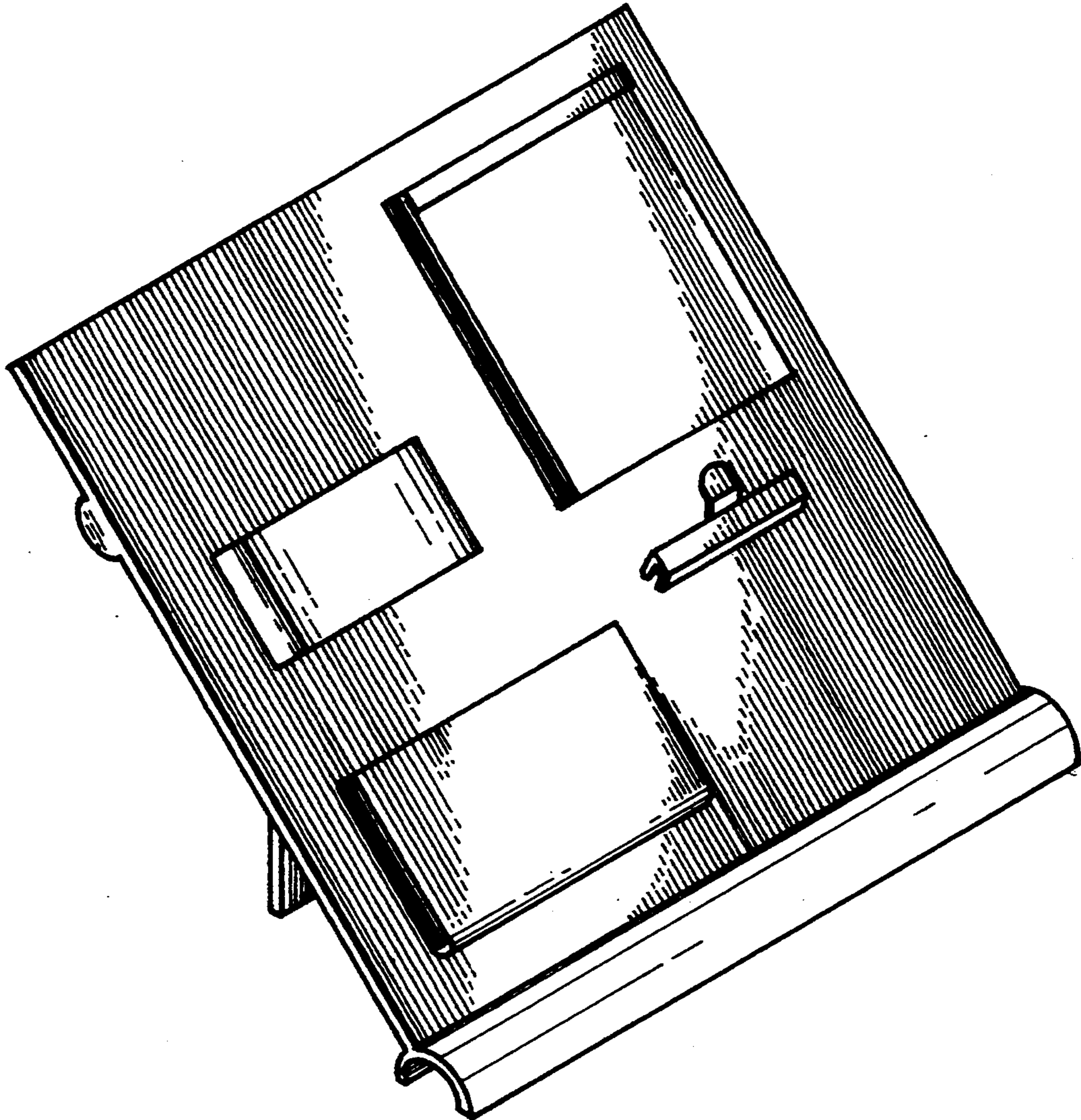
FIG. 3 is a rear elevational view thereof;

FIG. 4 is a side elevational view thereof;

FIG. 5 is a side elevational view thereof;

FIG. 6 is a top plan view thereof; and,

FIG. 7 is a bottom plan view thereof.



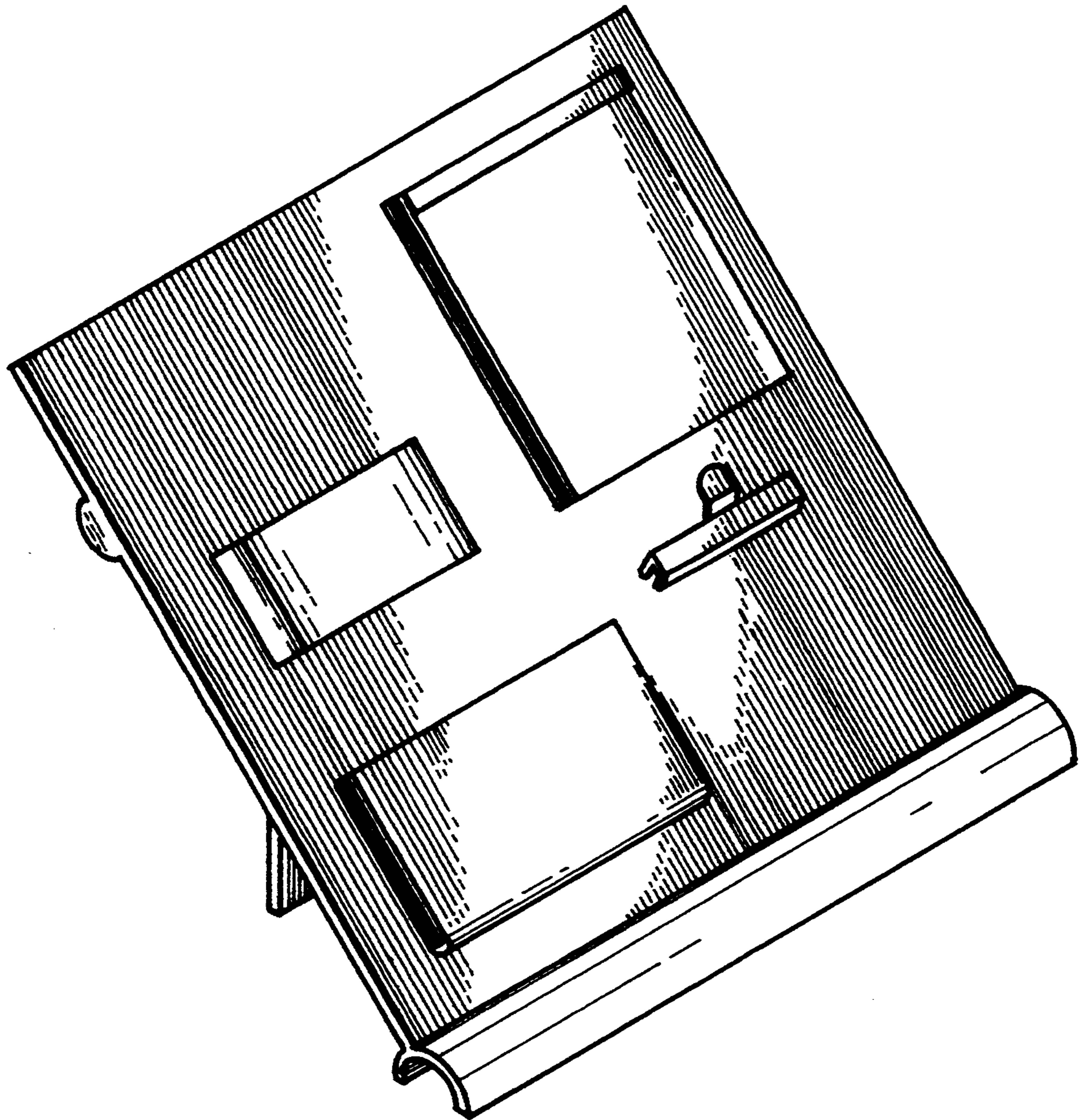


FIG.1

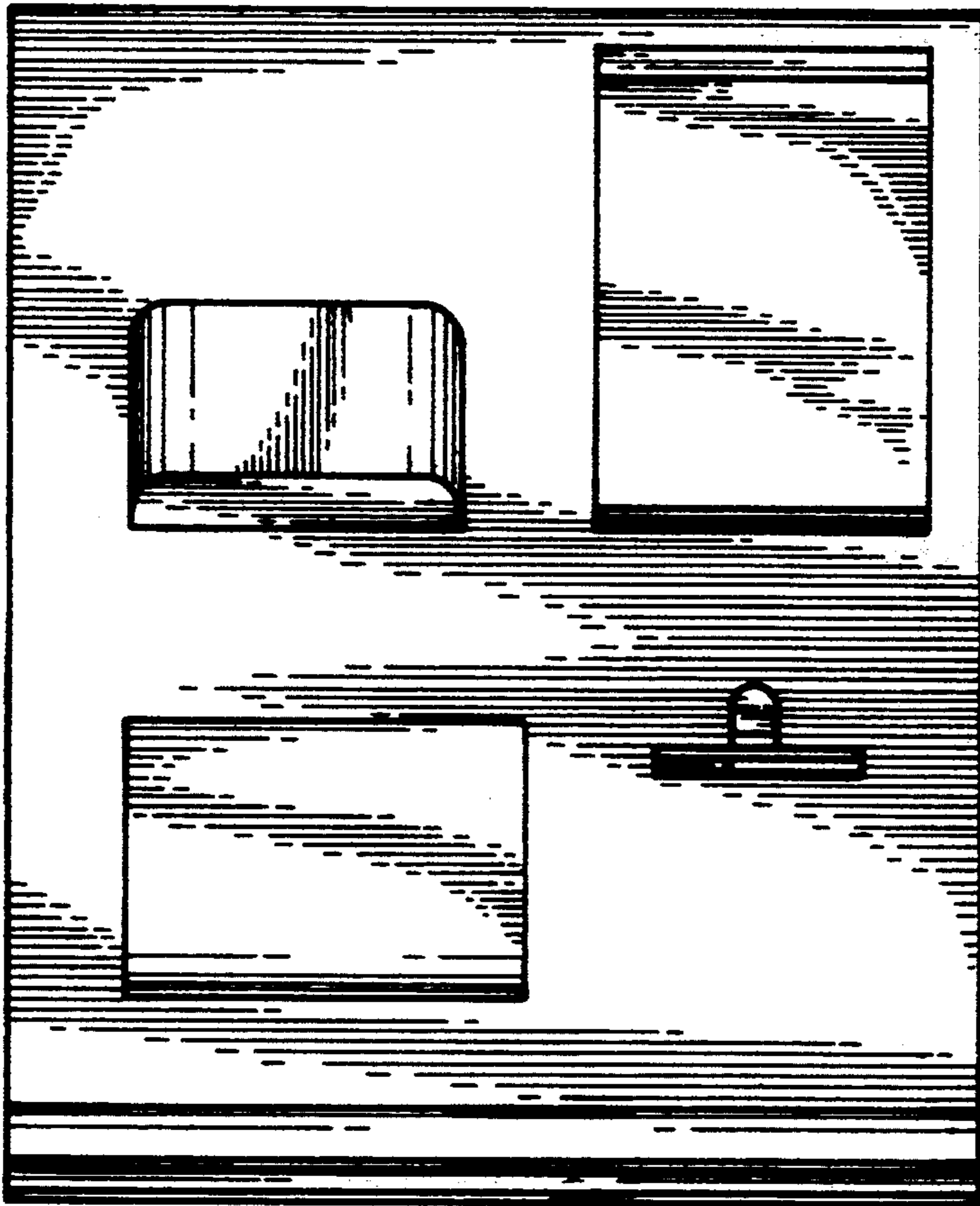


FIG. 2

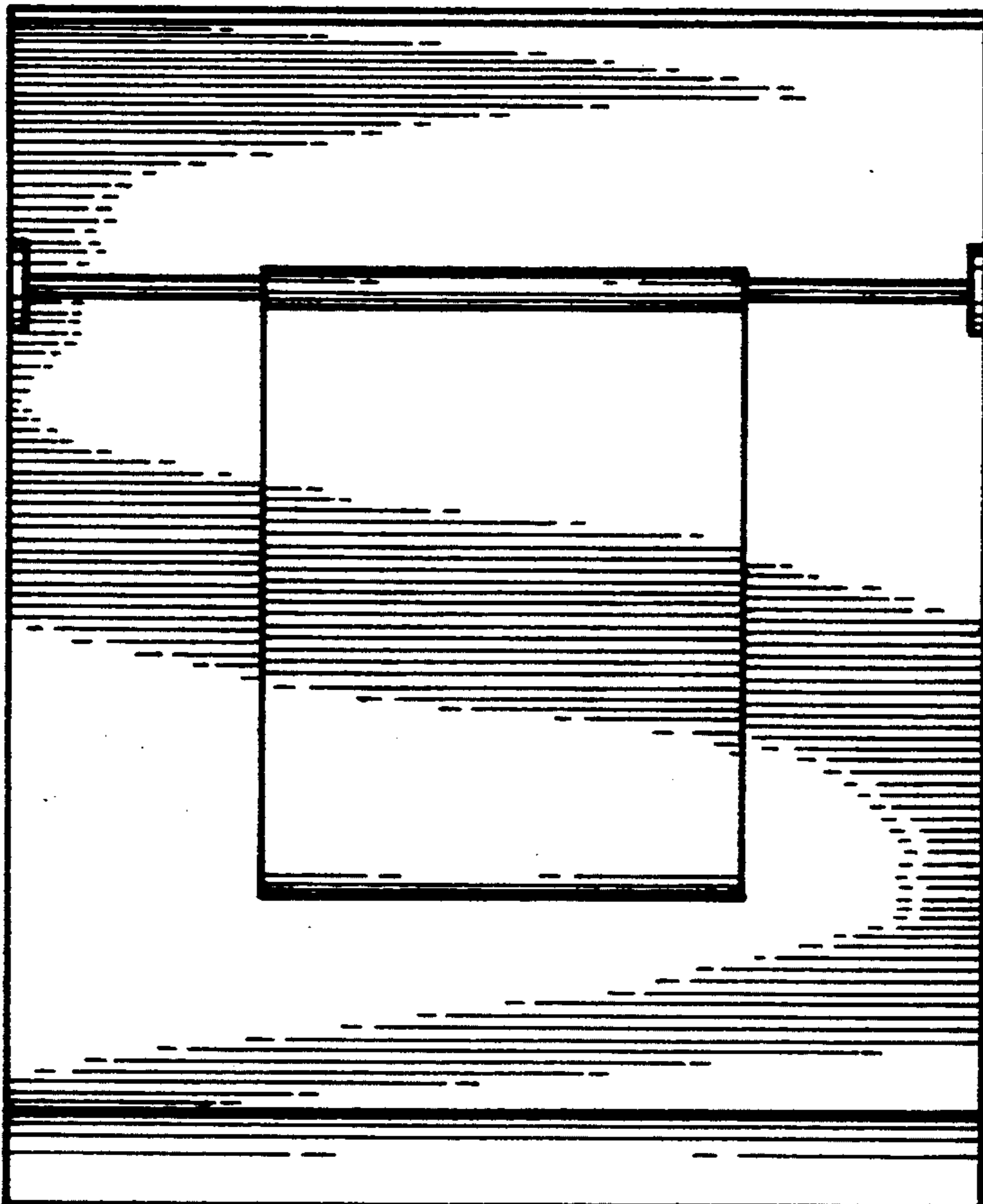


FIG. 3

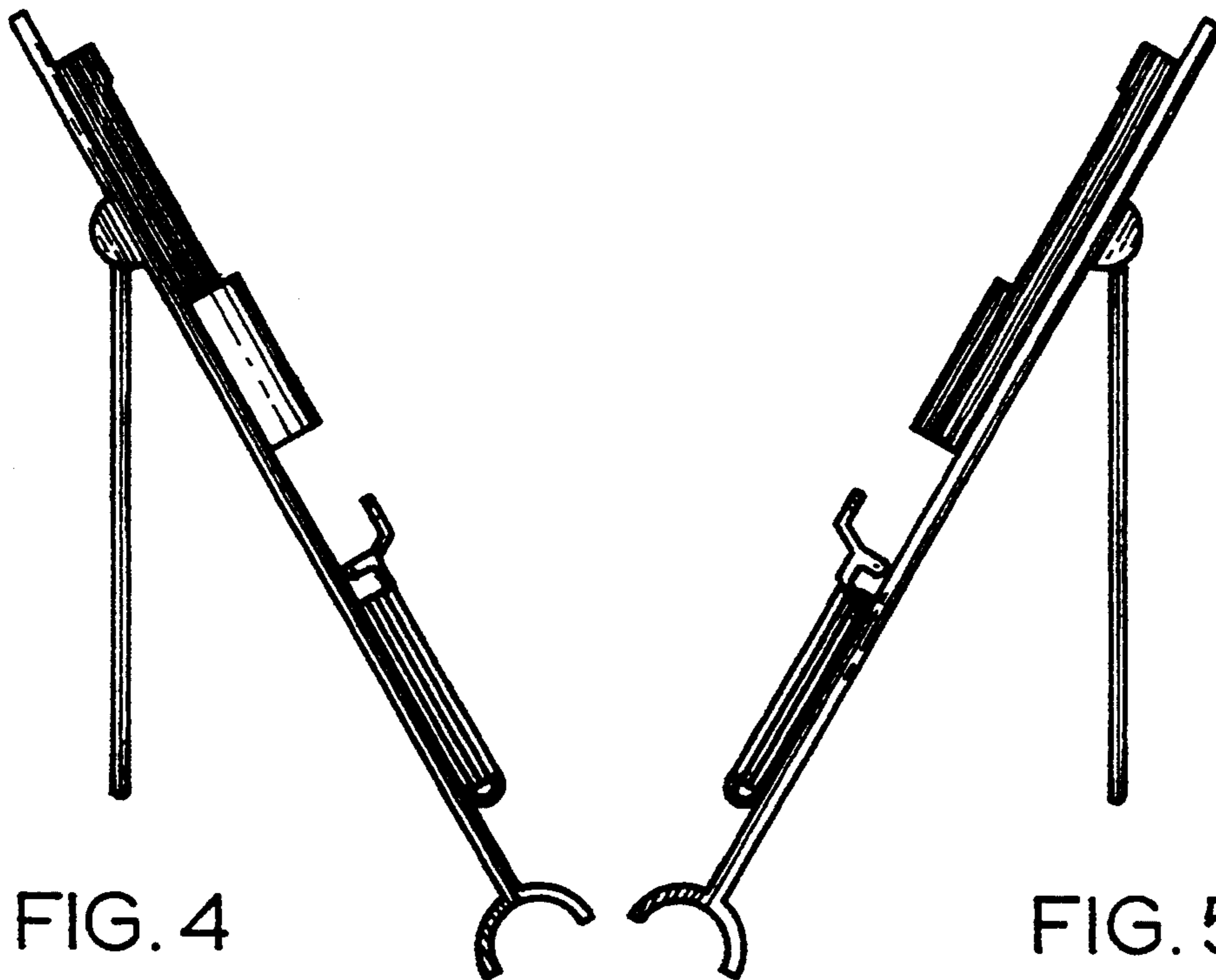


FIG. 4

FIG. 5

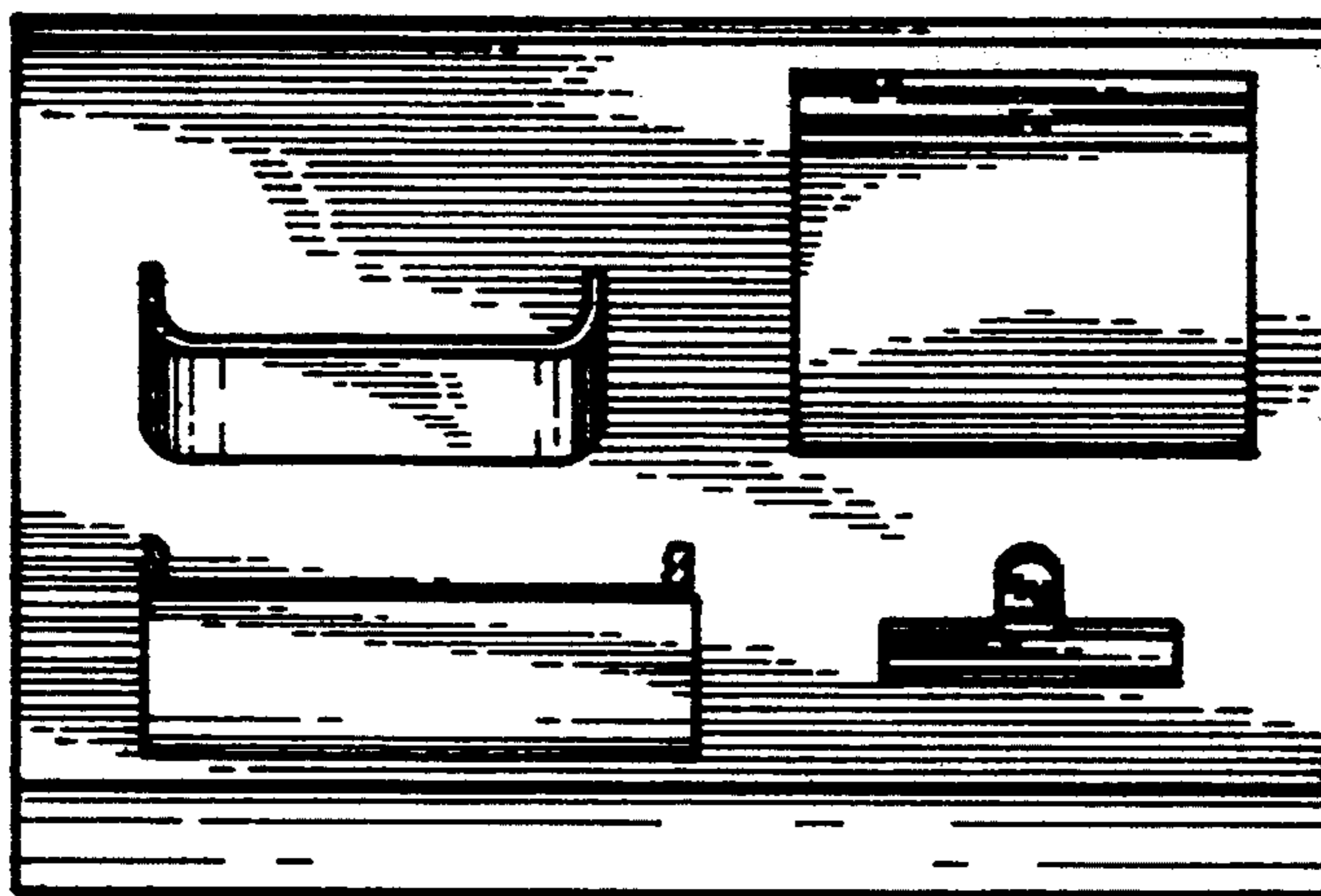


FIG. 6



FIG. 7