



US00D355060S

United States Patent [19]

[11] Patent Number: **Des. 355,060**

Bernstein et al.

[45] Date of Patent: **** Jan. 31, 1995**

[54] **DIAPER PAIL**

[75] Inventors: **Michael S. Bernstein**, Natick; **Brian C. Sundberg**, Stoughton, both of Mass.; **David W. Crossley**, Woonsocket, R.I.

[73] Assignee: **Safety 1st, Inc.**, Chestnut Hill, Mass.

[**] Term: **14 Years**

[21] Appl. No.: **22,762**

[22] Filed: **May 11, 1994**

[52] U.S. Cl. **D32/37; D34/1**

[58] Field of Search **D32/36, 37; D34/1, 7; D22/136; 220/675, 913, 908; 232/43.2, 1 B, 1 E**

[56] **References Cited**

U.S. PATENT DOCUMENTS

- D. 208,675 9/1967 Gardner D32/37
- D. 218,636 9/1970 Mangold D34/7

- D. 326,342 5/1992 Doxey et al. D34/7
- D. 329,929 9/1992 Knoedler D32/37
- 5,072,850 12/1991 Gagnon D34/7
- 5,174,462 12/1992 Haines 220/908

Primary Examiner—Wallace R. Burke
Assistant Examiner—Robin V. Taylor
Attorney, Agent, or Firm—Wolf, Greenfield & Sacks

[57] **CLAIM**

The ornamental design for a diaper pail, as shown and described.

DESCRIPTION

FIG. 1 is a perspective view of the diaper pail embodying our new design;
FIG. 2 is a top plan view thereof;
FIG. 3 is a front elevation view thereof;
FIG. 4 is a left side elevation view of the diaper pail, the right side elevation view being a mirror image thereof;
FIG. 5 is a rear elevation view thereof; and,
FIG. 6 is a bottom plan view thereof.

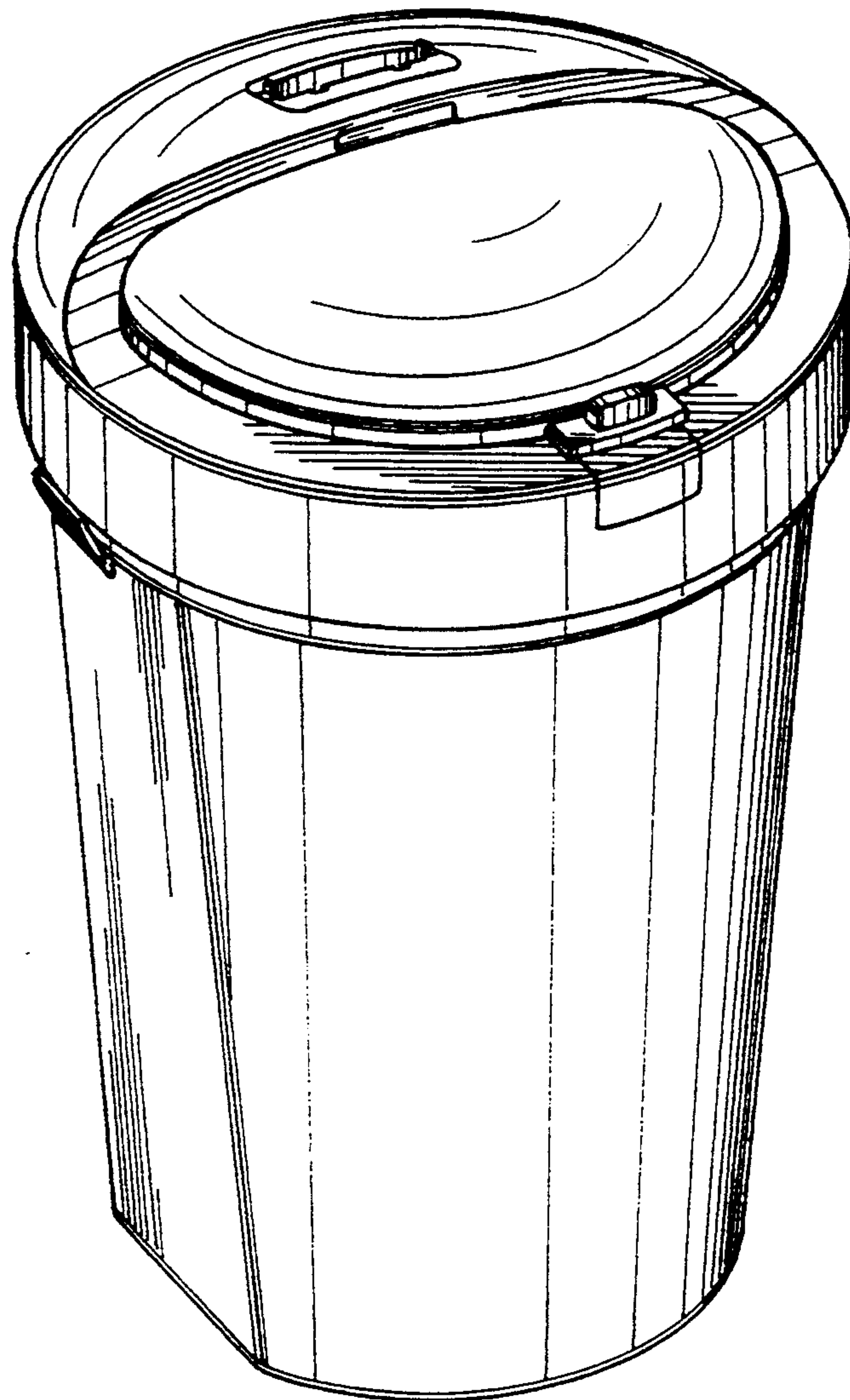


Fig. 1

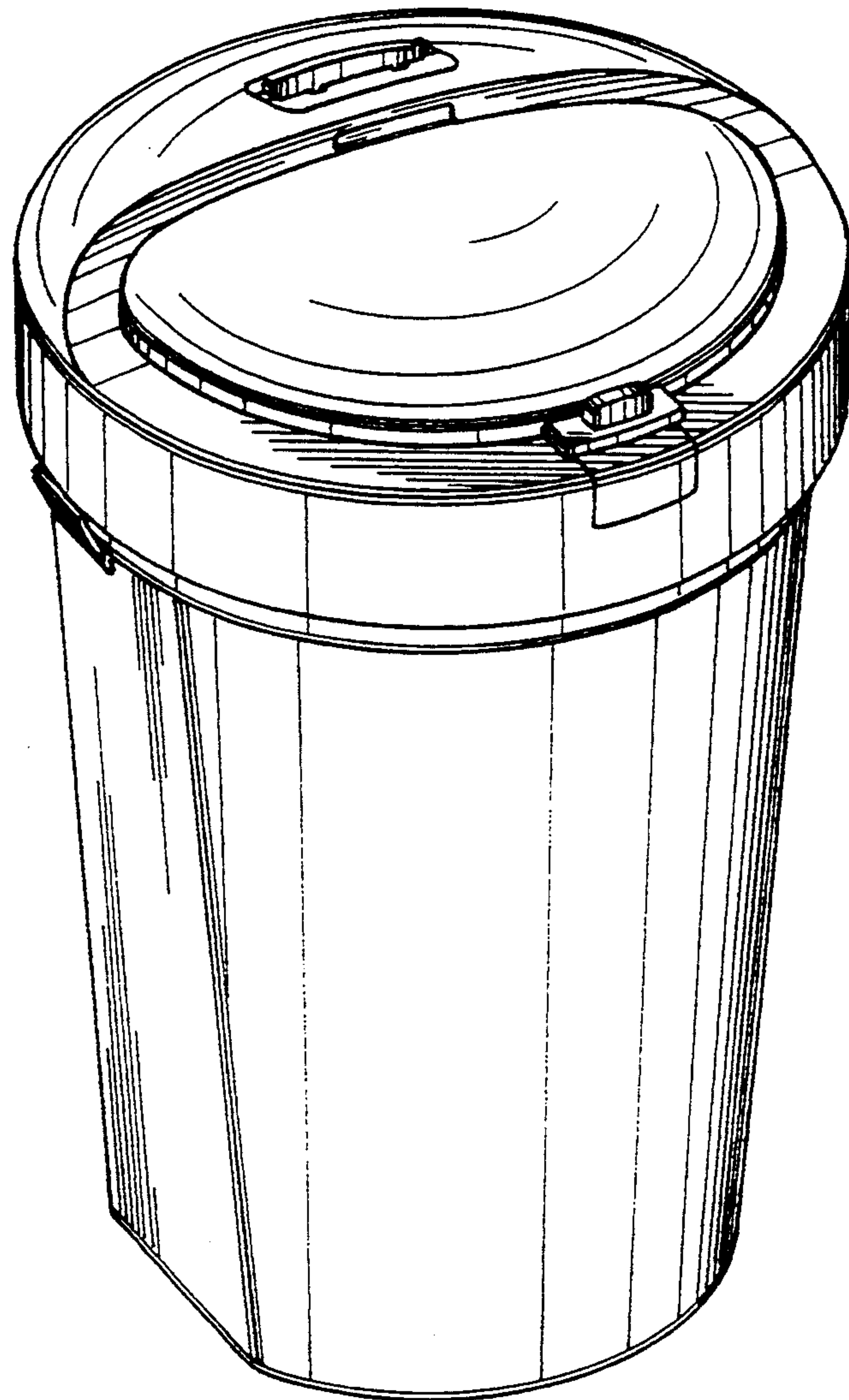


Fig. 2

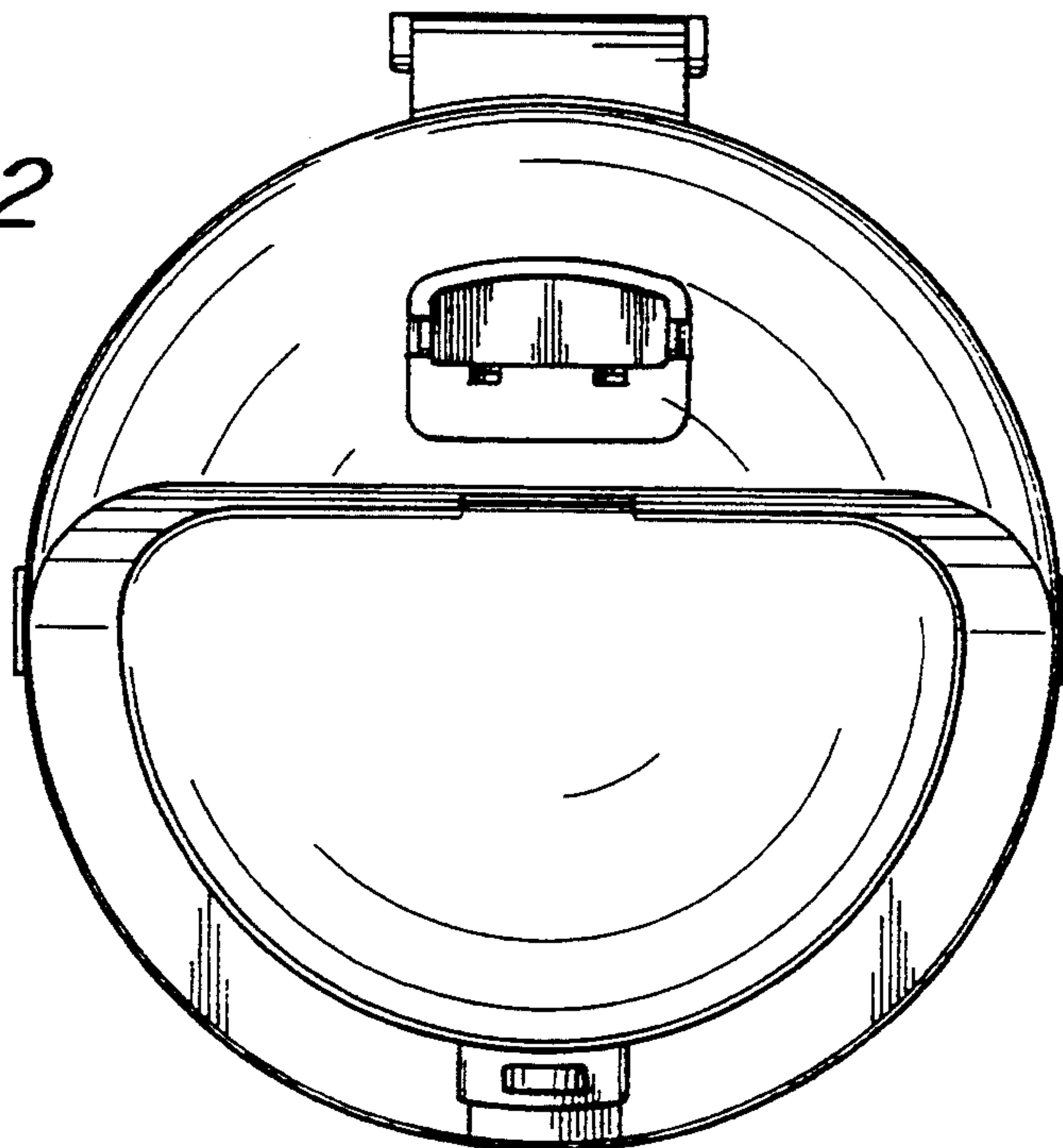


Fig. 3

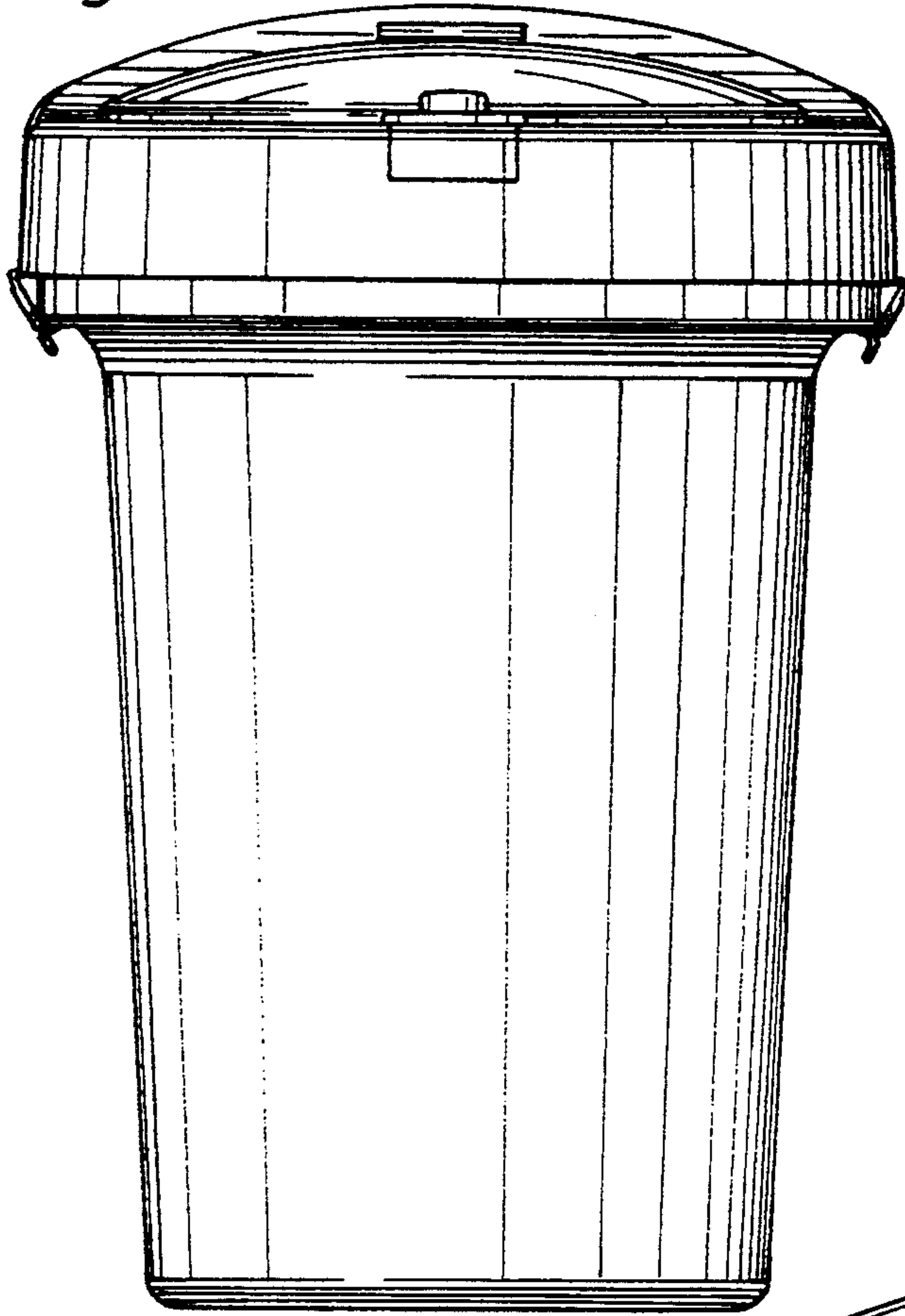


Fig. 4

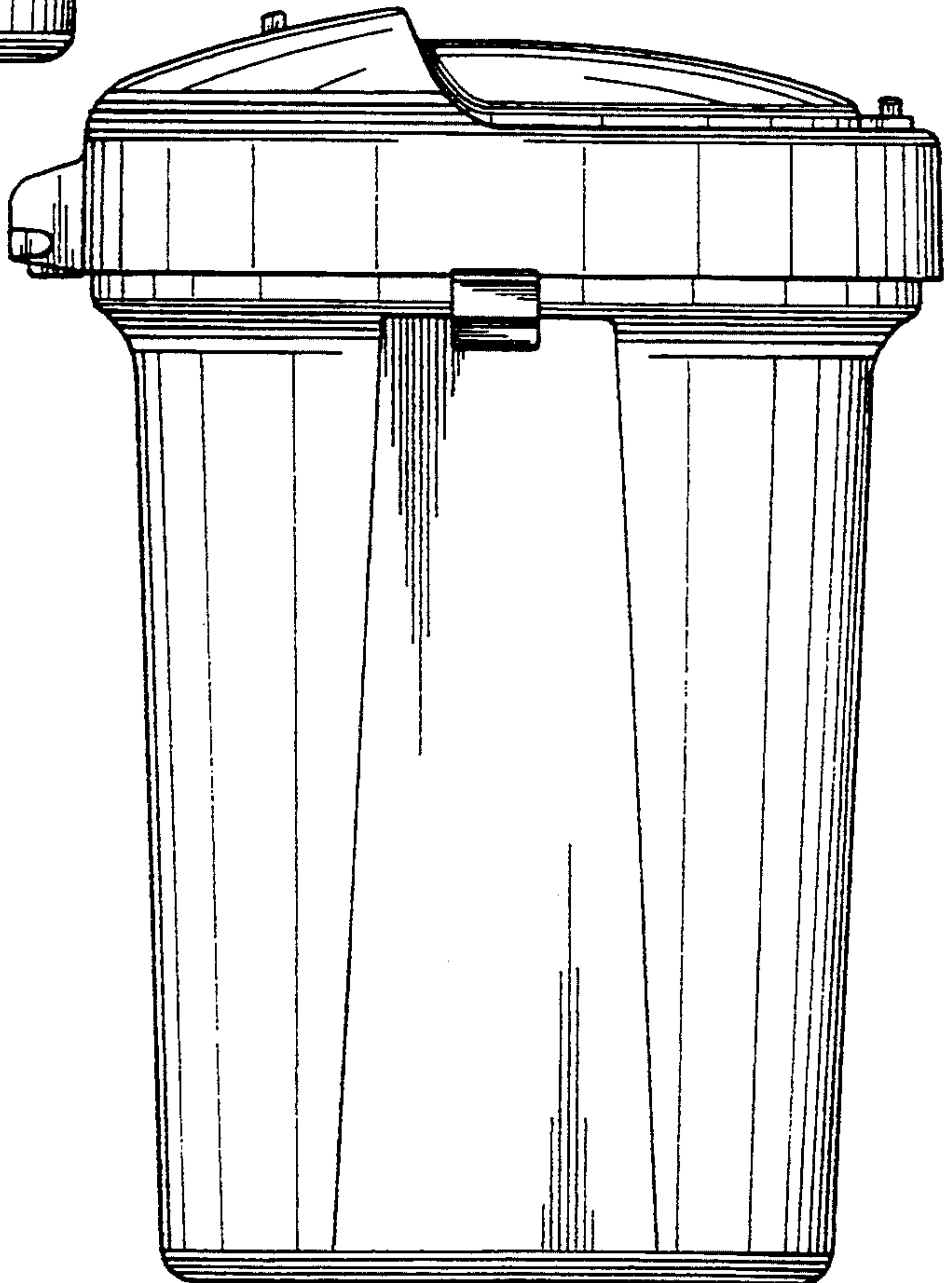


Fig. 5

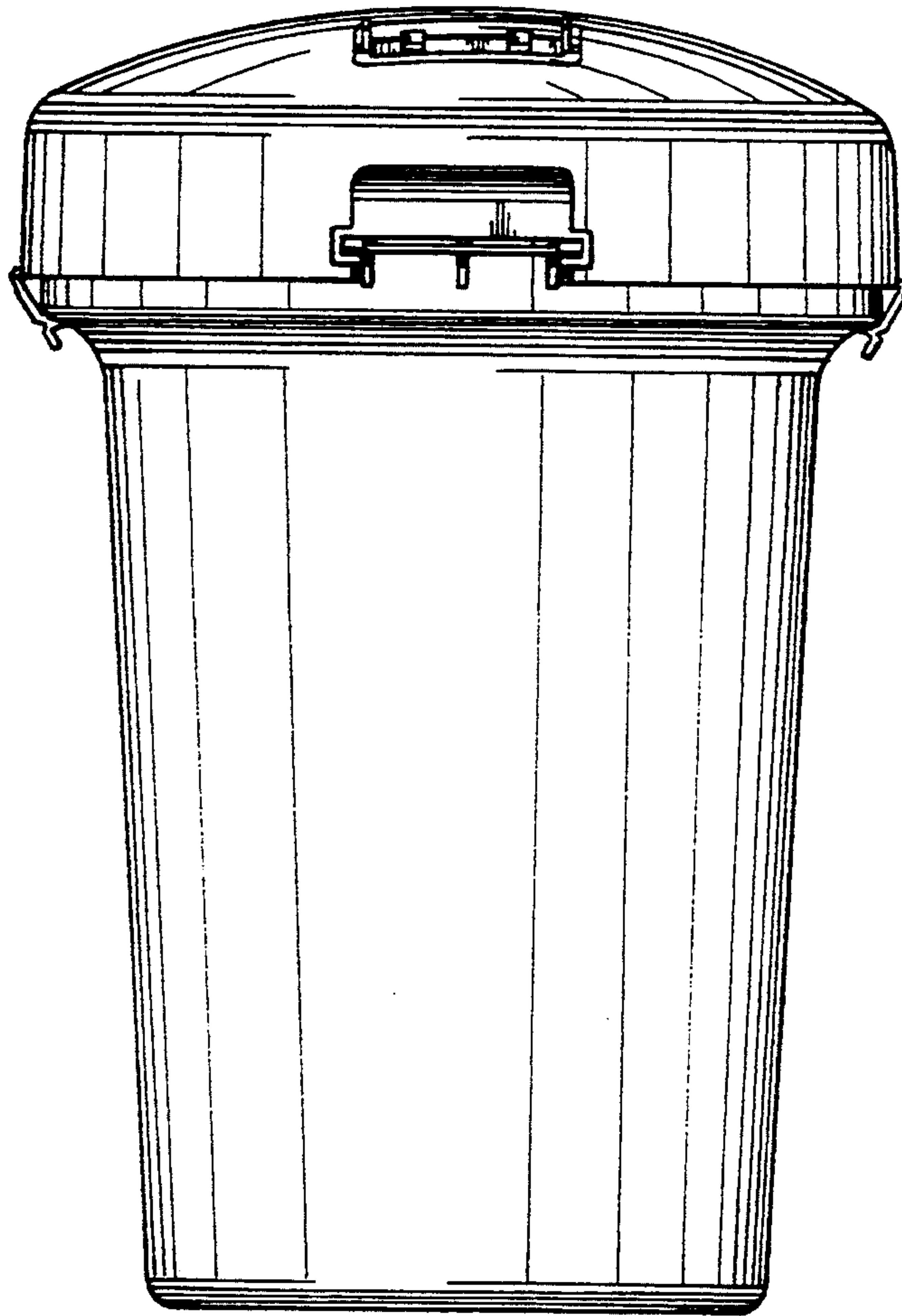


Fig. 6

