



US00D355059S

# United States Patent [19]

[11] Patent Number: **Des. 355,059**

**Ennis**

[45] Date of Patent: **\*\* Jan. 31, 1995**

[54] **BRUSH ATTACHMENT FOR HIGH TEMPERATURE CLEANING MACHINE**

4,083,077 4/1978 Knight et al. .... 15/321  
4,956,892 9/1990 Fawkes ..... 15/415.1

[75] Inventor: **Jerry D. Ennis, Plantation, Fla.**

### OTHER PUBLICATIONS

Doyle Vacuum Cleaner Co, Jul. 1949, no page #.  
"Doyle G-751 Bin Cleaning Tool".

[73] Assignee: **Marketing "10", Inc., Fort Lauderdale, Fla.**

*Primary Examiner*—Ruth McInroy  
*Attorney, Agent, or Firm*—Head & Johnson

[\*\*] Term: **14 Years**

[21] Appl. No.: **9,470**

### [57] CLAIM

The ornamental design for a brush attachment for high temperature cleaning machine, as shown.

[22] Filed: **Jun. 14, 1993**

[52] U.S. Cl. .... **D32/33**

[58] Field of Search ..... **D32/31-33, D32/22; 15/320-322, 415.1-416, 418-422.1; D4/127**

### DESCRIPTION

FIG. 1 is an isometric view of a brush attachment for a high temperature cleaning machine showing my new design;

### [56] References Cited

#### U.S. PATENT DOCUMENTS

D. 244,274 5/1977 Winard et al. .... D32/33  
D. 319,121 8/1991 Muller ..... D32/17  
2,674,002 4/1954 White ..... 15/416  
2,827,060 3/1958 Marty ..... 15/416

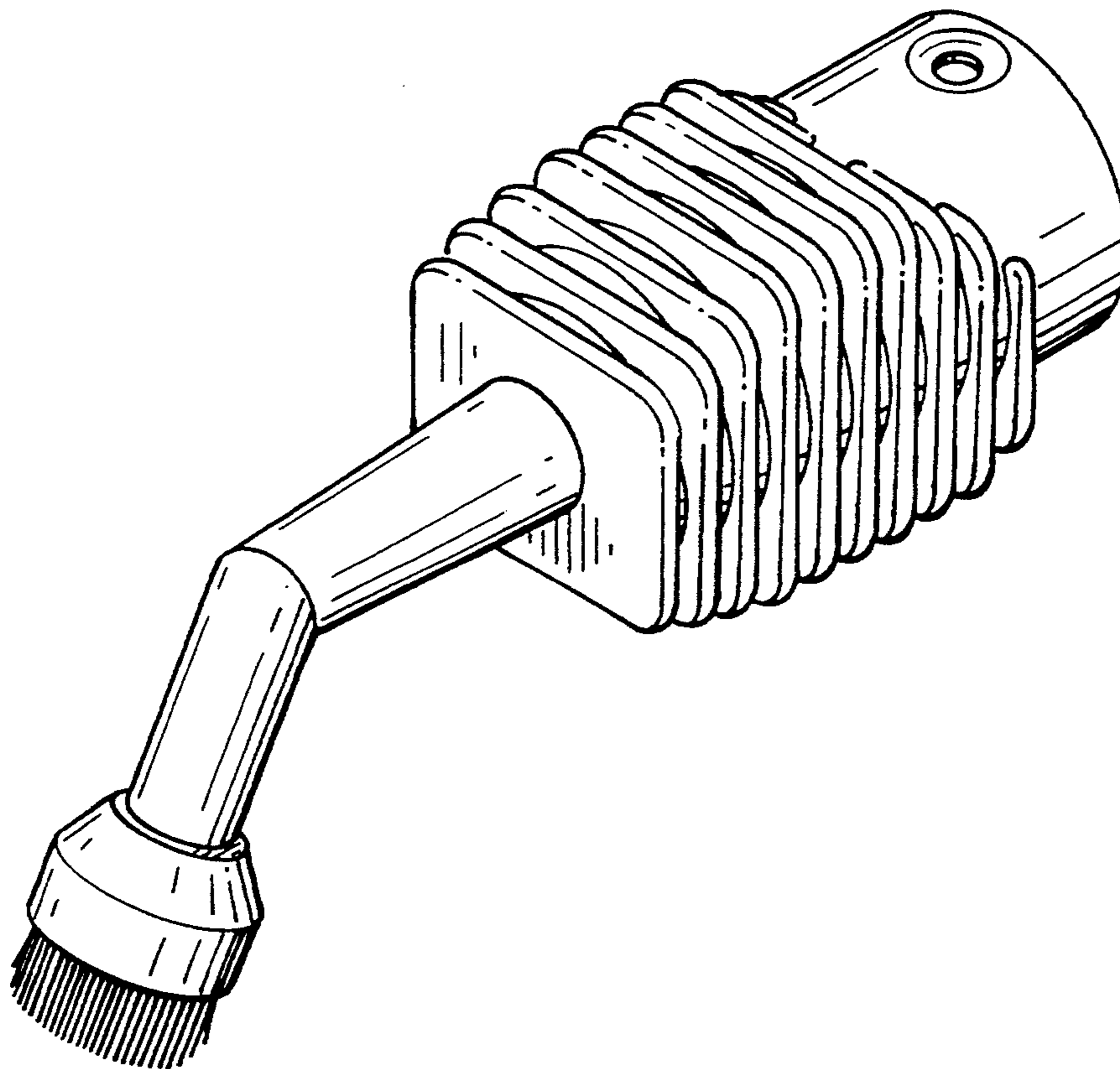
FIG. 2 is a front elevational view thereof, the rear view being a mirror image;

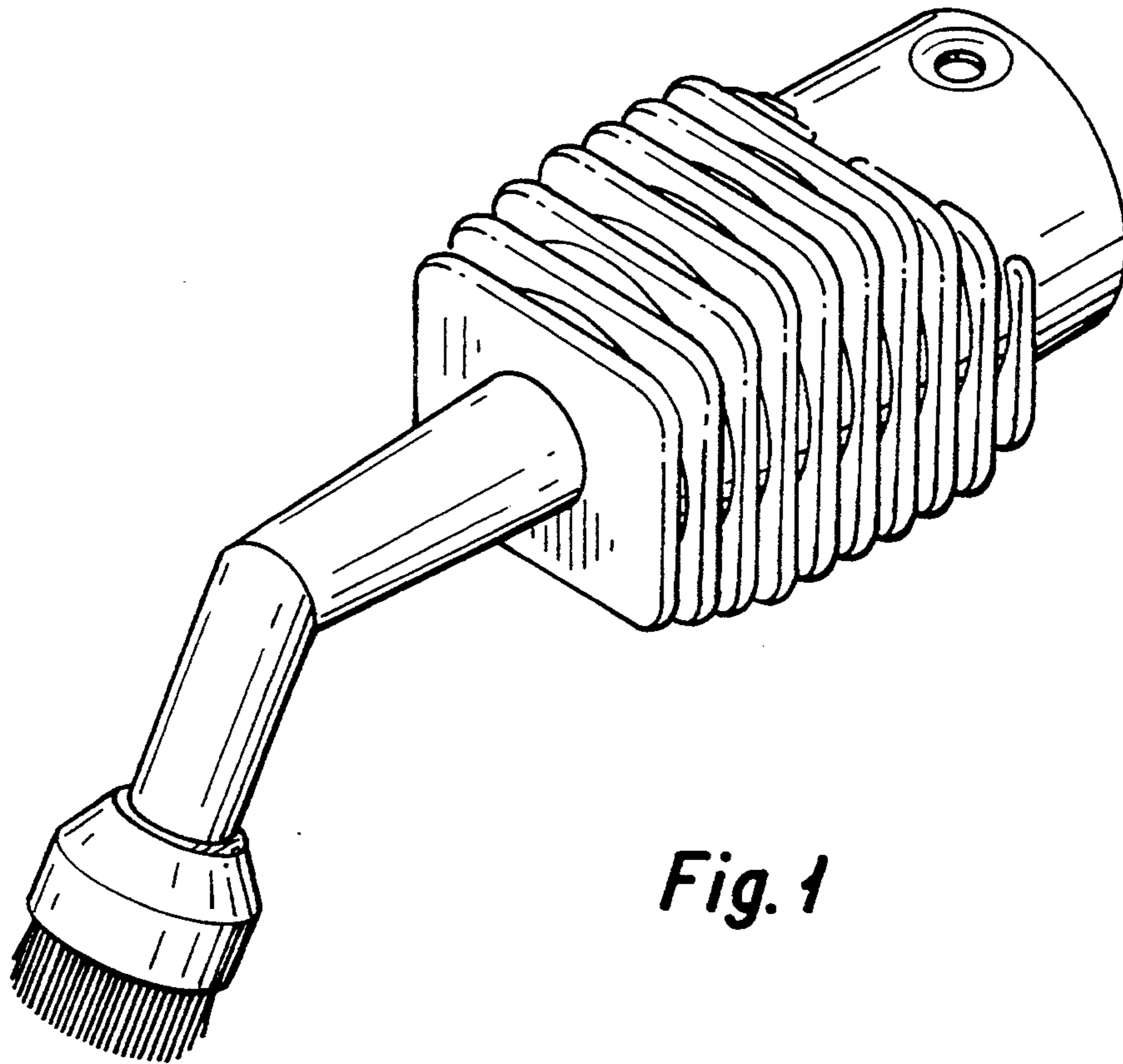
FIG. 3 is a top plan view thereof;

FIG. 4 is a right side elevational view thereof;

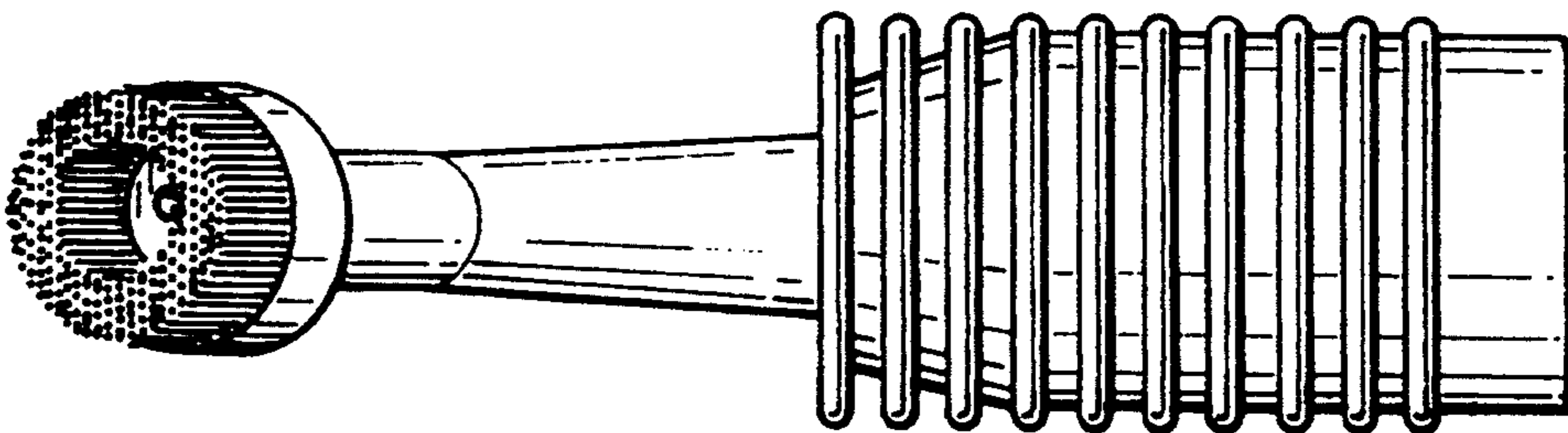
FIG. 5 is a left side elevational view thereof; and,

FIG. 6 is a bottom plan view thereof.

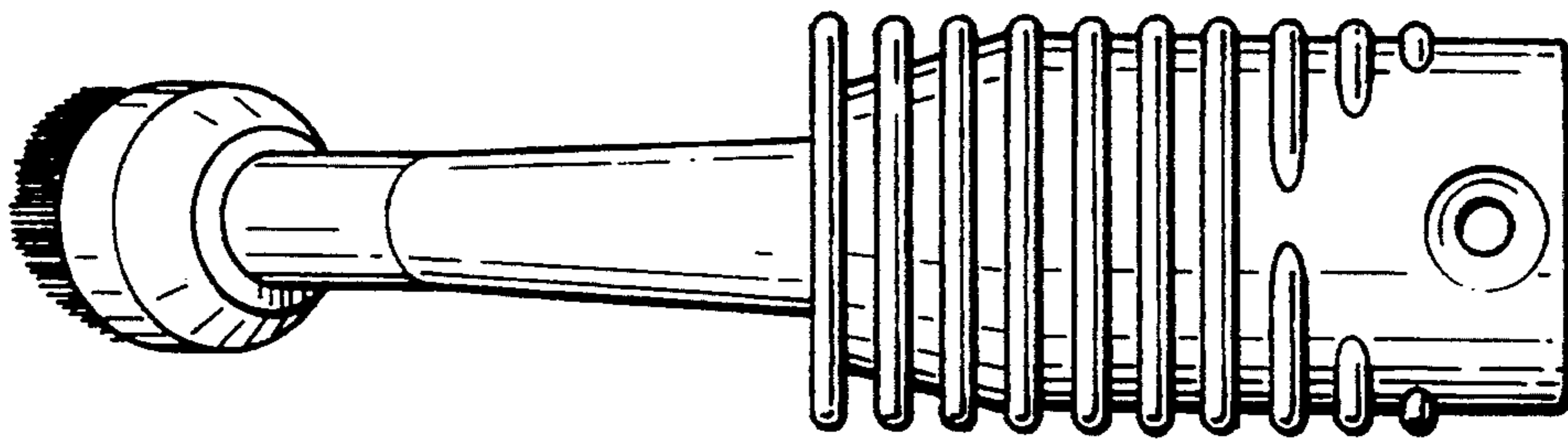




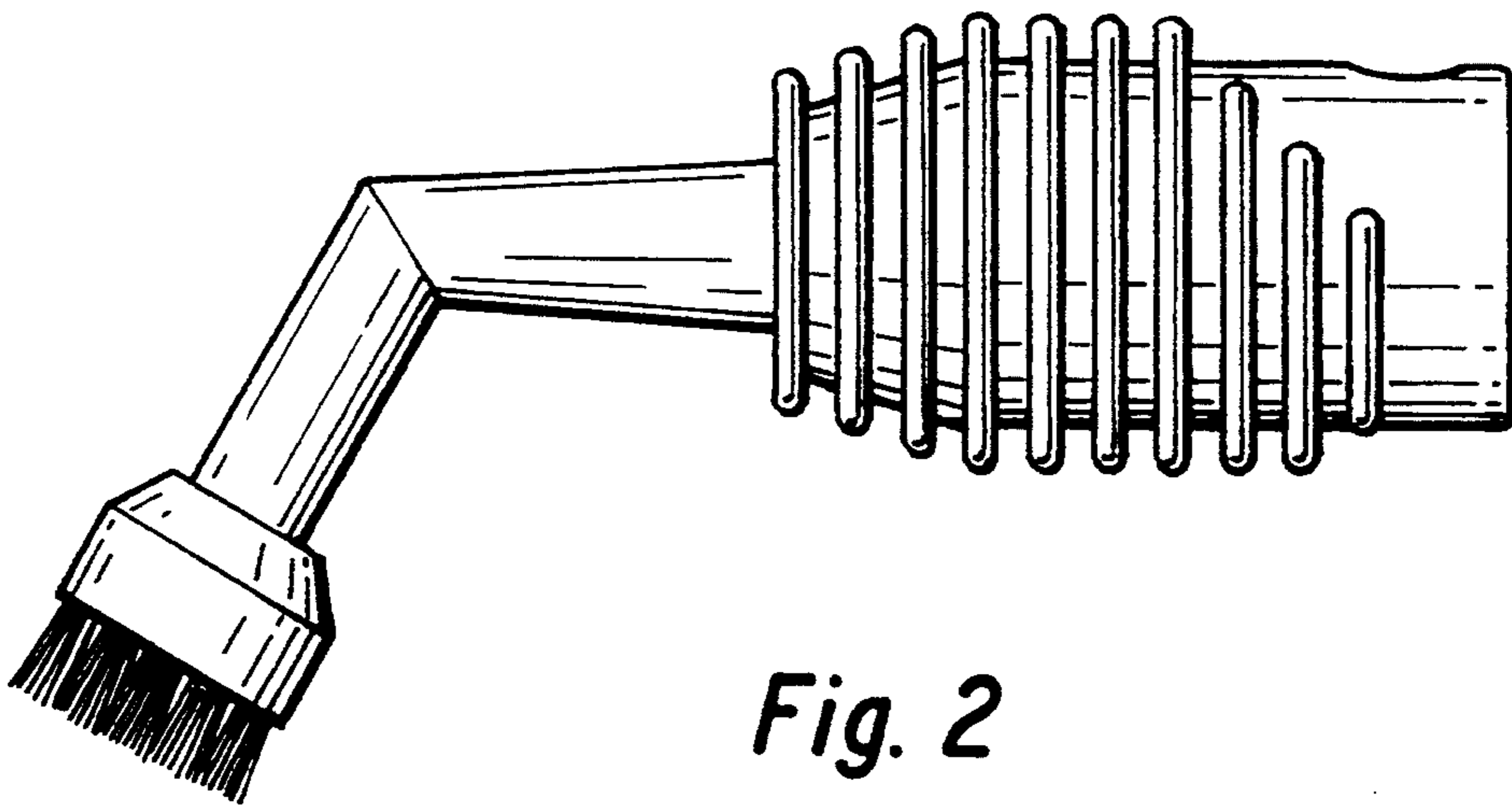
*Fig. 1*



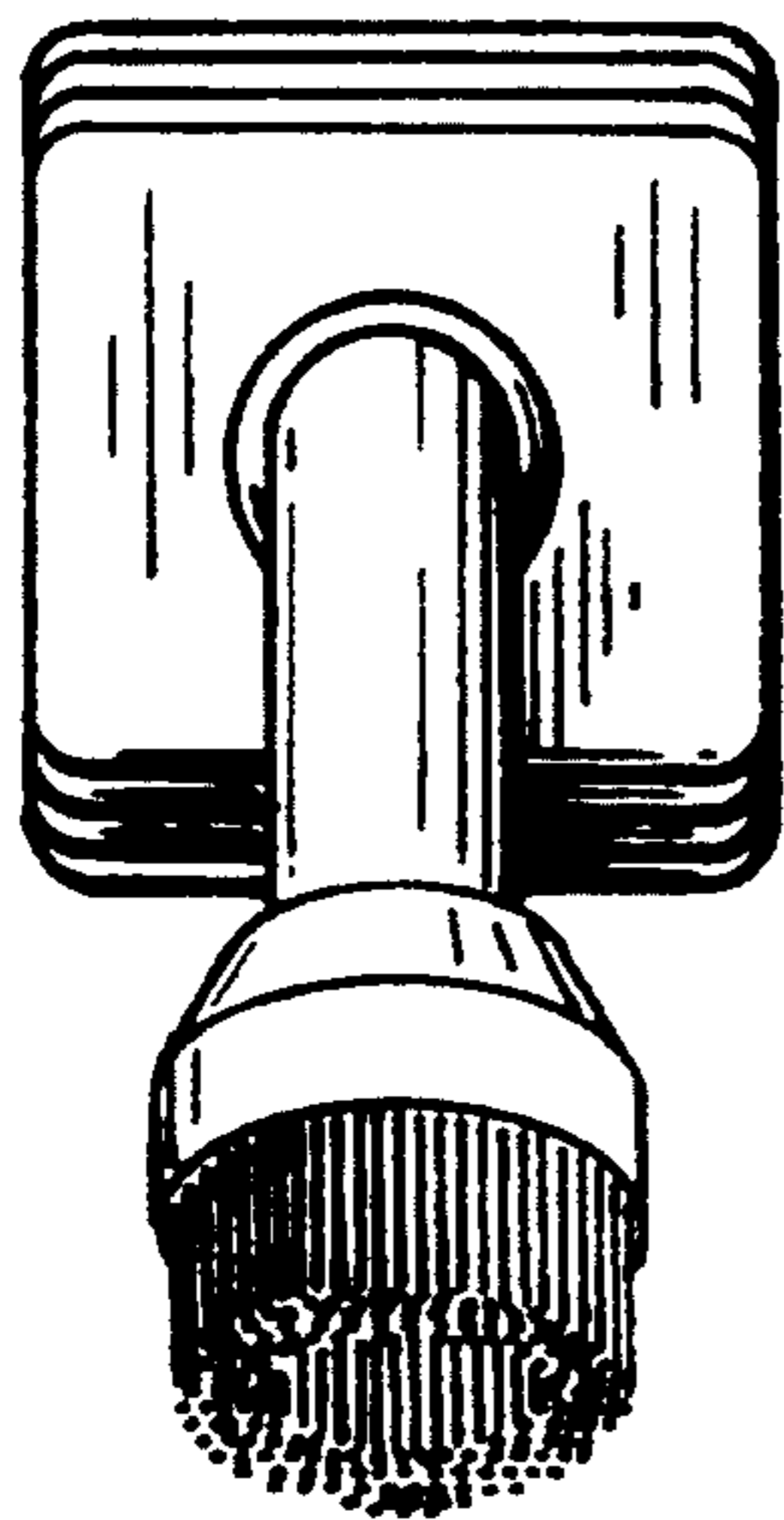
*Fig. 6*



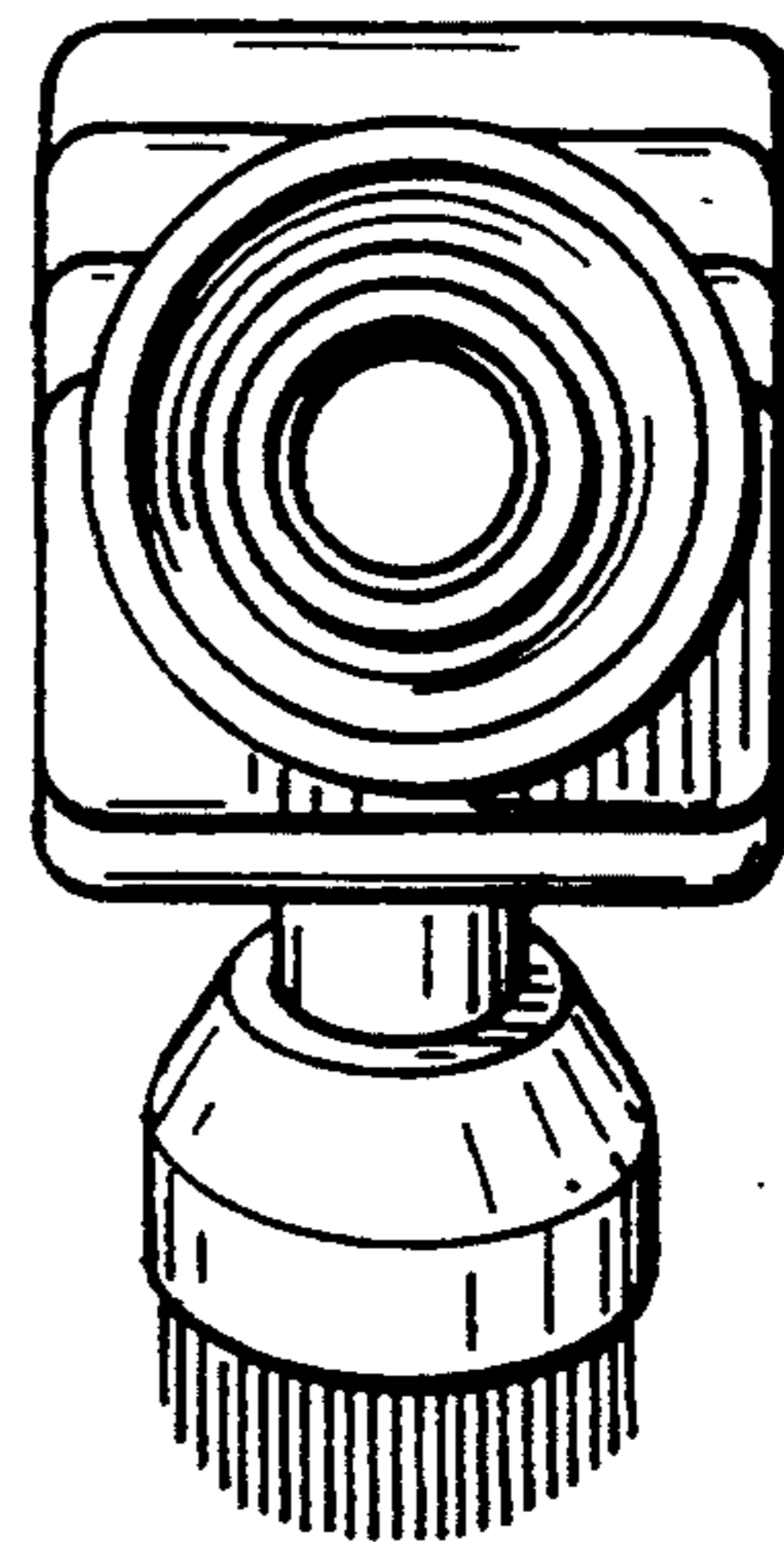
*Fig. 3*



*Fig. 2*



*Fig. 5*



*Fig. 4*