



US00D355056S

# United States Patent [19]

[11] Patent Number: **Des. 355,056**

**Burnet**

[45] Date of Patent: **\*\* Jan. 31, 1995**

[54] **PET WATER DISH**

[76] Inventor: **Richard A. Burnet**, 2305 Walnut St.,  
Reno, Nev. 89502

[\*\*] Term: **14 Years**

[21] Appl. No.: **16,116**

[22] Filed: **Dec. 8, 1993**

[52] U.S. Cl. .... **D30/132; D23/301;**  
**D30/161**

[58] Field of Search ..... 119/61, 51.5, 161, 162;  
D30/121-122, 129-133; D23/295, 301, 313

[56] **References Cited**

### U.S. PATENT DOCUMENTS

D. 92,215	5/1934	Teahen .....	D23/301
D. 188,750	9/1960	Swann .....	D23/301
D. 191,697	11/1961	Chapman .....	D23/301
D. 198,431	6/1964	Armstrong .....	D23/301
D. 199,021	9/1964	Stairs, Jr. ....	D23/301
D. 203,804	2/1966	Armstrong .....	D23/301
D. 237,884	12/1975	Korol .....	D23/301
D. 261,171	10/1981	Cuttriss .....	D23/301
D. 271,690	12/1983	Strobel .....	D23/301
2,937,617	5/1960	Brody et al. ....	119/51.5

3,757,738	9/1973	Hall .....	119/162
4,329,940	5/1982	Humphries .....	119/72
4,436,056	3/1984	MacLeod .....	119/72
5,103,772	4/1992	Schmid .....	119/162

### FOREIGN PATENT DOCUMENTS

8604304	4/1988	WIPO .....	119/162
---------	--------	------------	---------

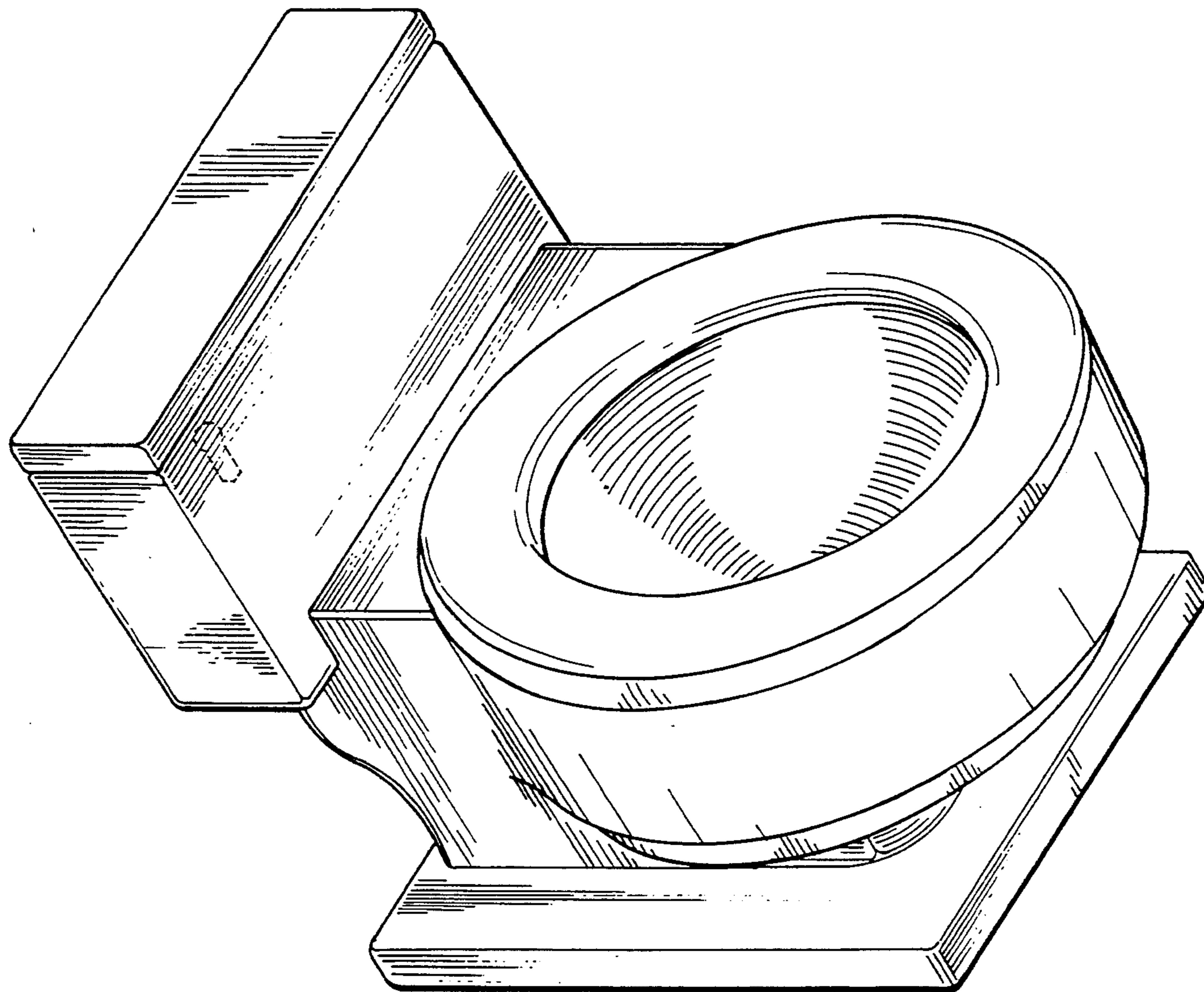
*Primary Examiner*—Cathy Anne MacCormac  
*Attorney, Agent, or Firm*—Richard C. Litman

### [57] CLAIM

The ornamental design for a pet water dish, as shown and described.

### DESCRIPTION

FIG. 1 is a perspective view of a pet water dish showing my new design;  
 FIG. 2 is a front elevational view thereof;  
 FIG. 3 is a rear elevational view thereof;  
 FIG. 4 is a left side elevational view with the right side being a mirror image thereof; and,  
 FIG. 5 is a top view thereof.  
 The bottom is plain and unornamented.  
 The broken line showing of a handle in FIGS. 1, 2, 4 and 5 is for illustrative purposes only and forms no part of the claimed design.



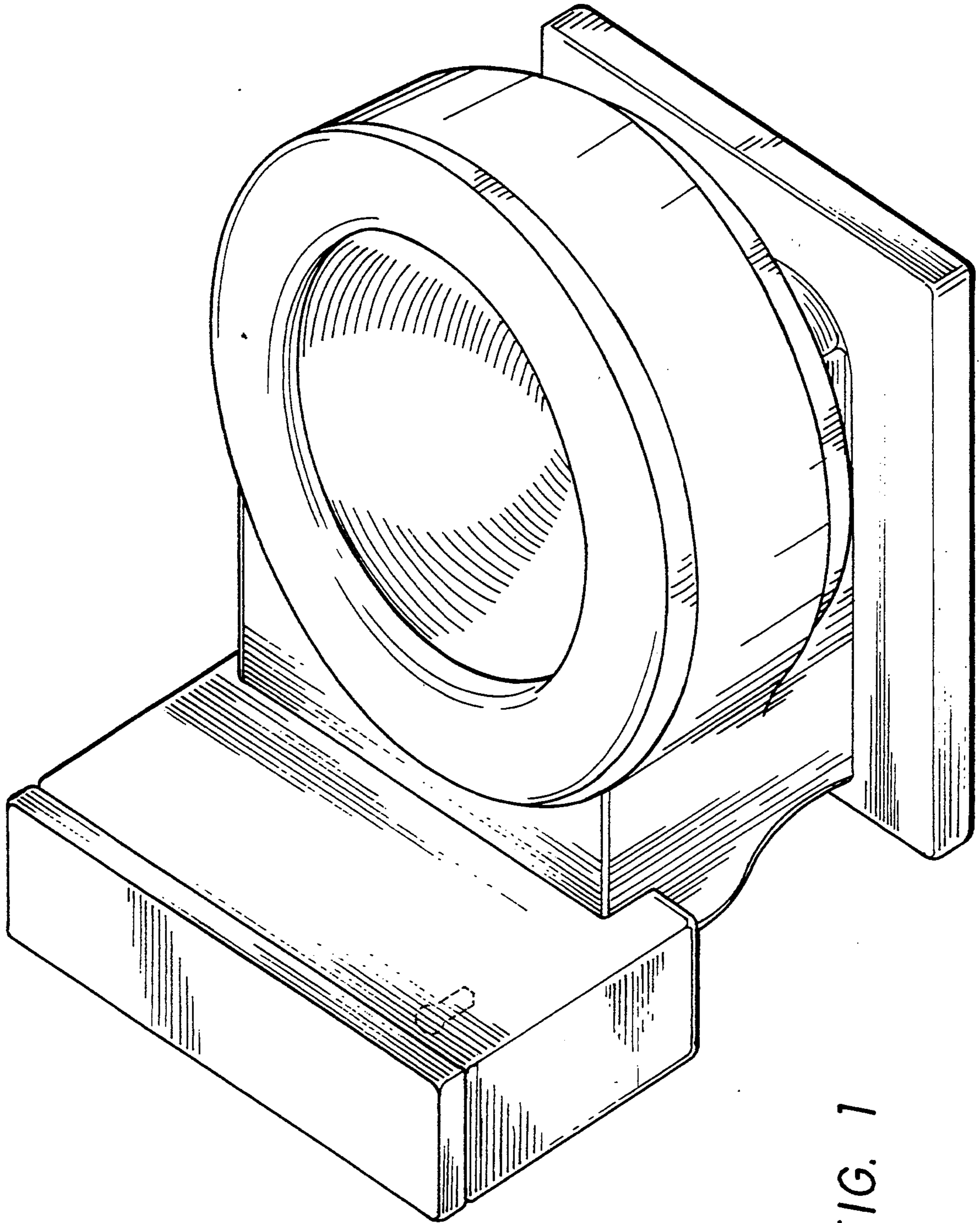


FIG. 1

FIG. 2

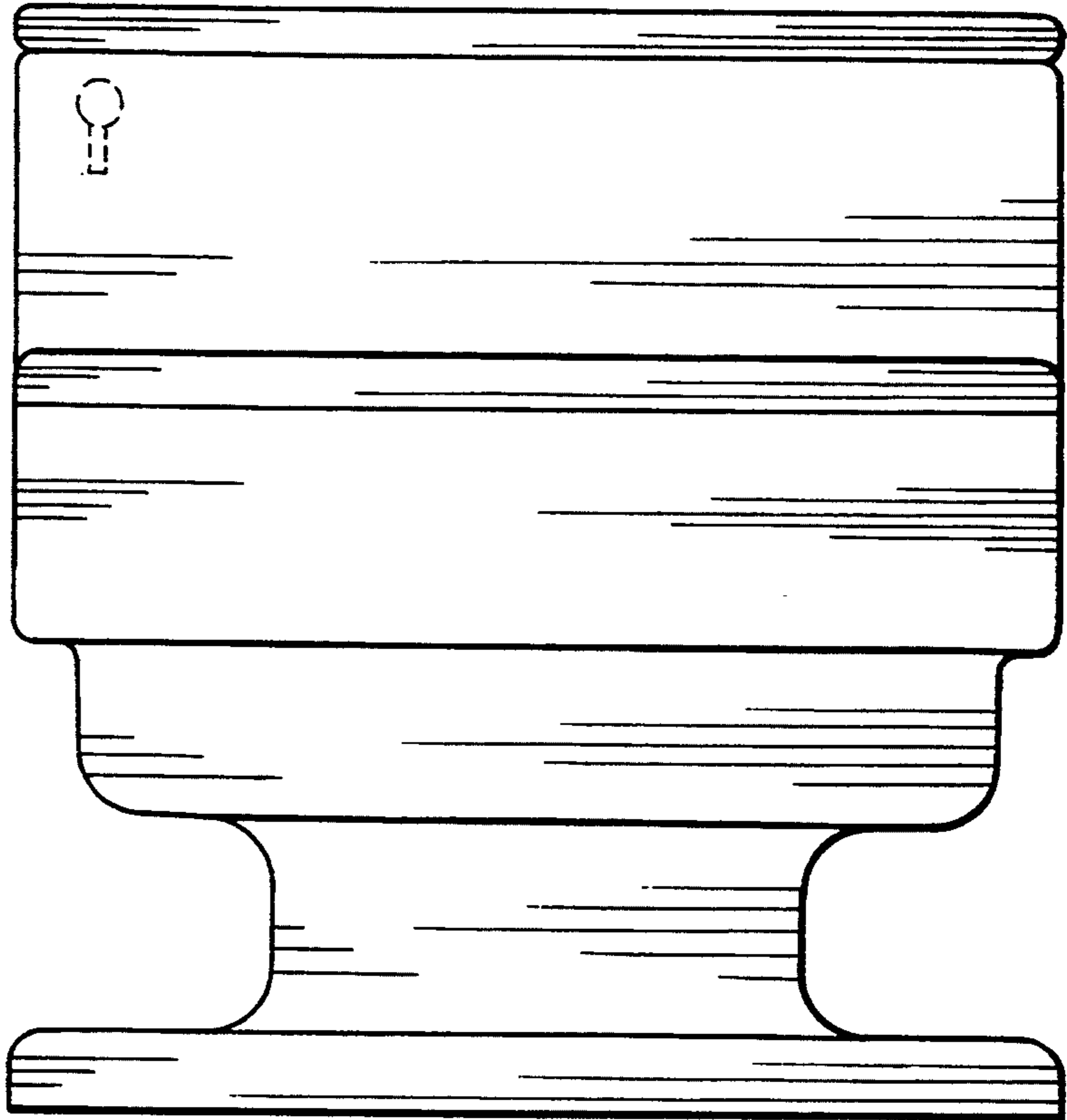
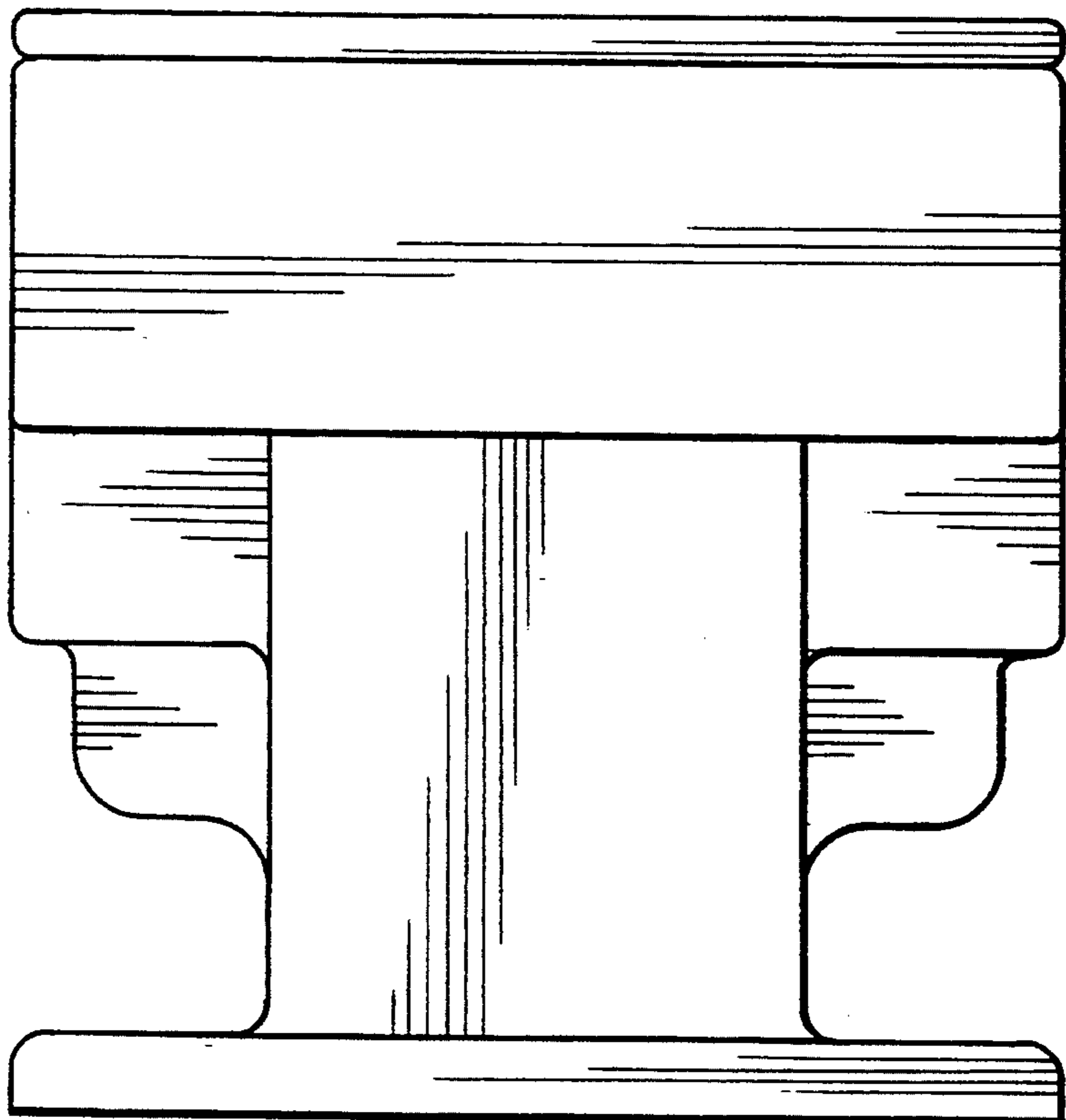


FIG. 3



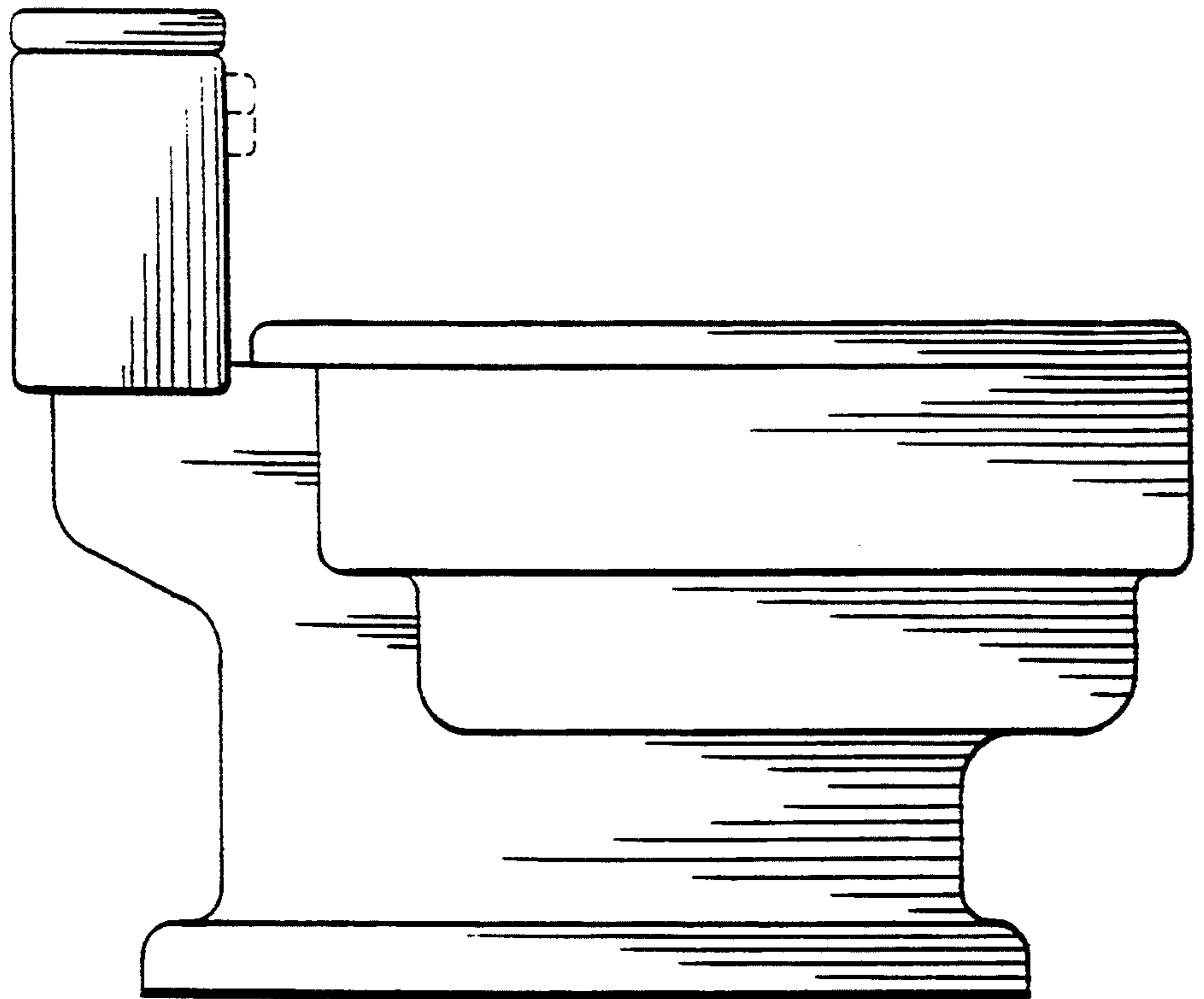


FIG. 4

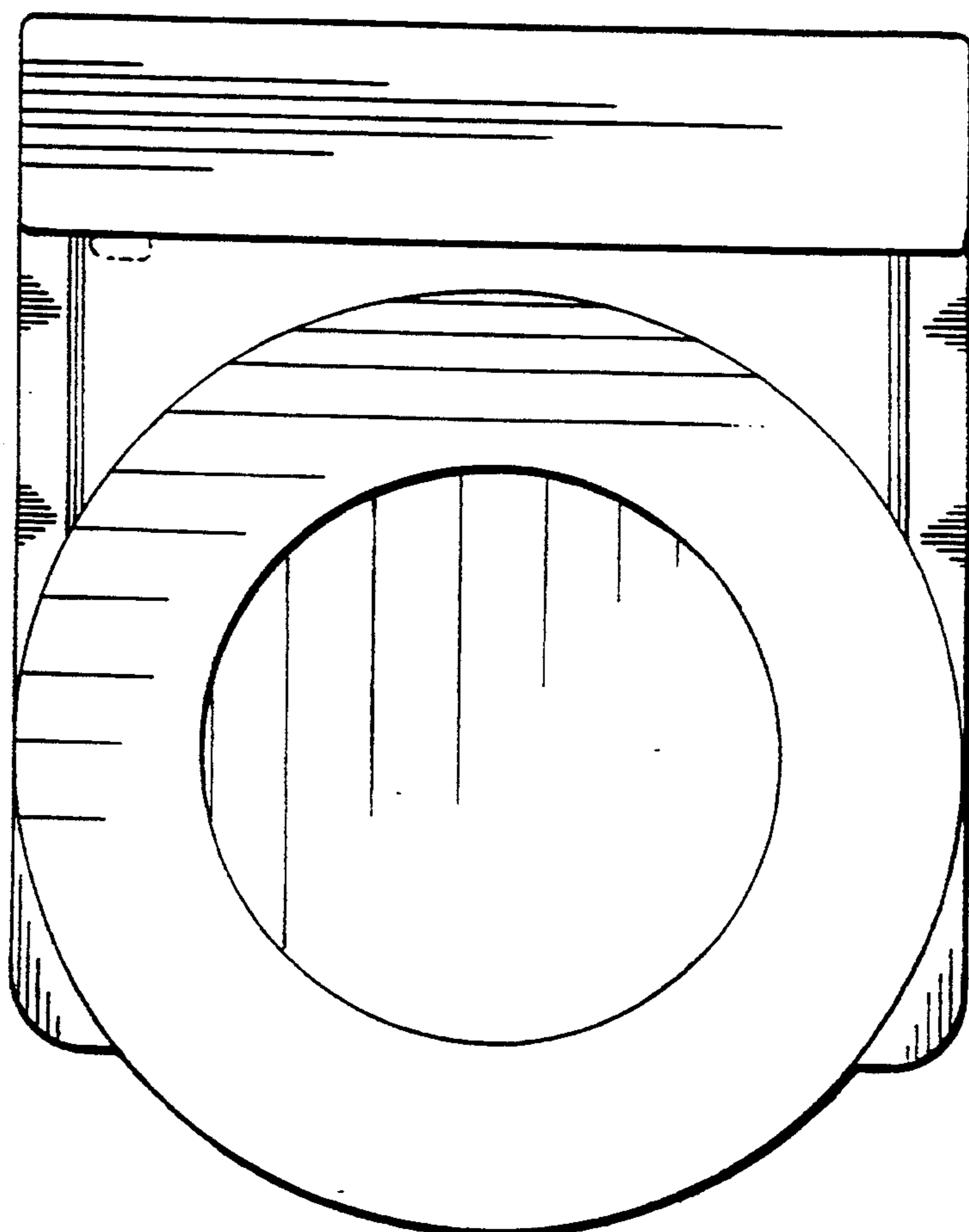


FIG. 5