



US00D355053S

United States Patent [19]

[11] Patent Number: **Des. 355,053**

Honrud

[45] Date of Patent: **** Jan. 31, 1995**

[54] **WELDERS HELMET**

[57] **CLAIM**

[76] Inventor: **Gregory S. Honrud**, 500 South State St., Suite F, Bellingham, Wash. 98225

The ornamental design for a welder's helmet, as shown and described.

[**] Term: **14 Years**

DESCRIPTION

[21] Appl. No.: **16,979**

FIG. 1 is an isometric view of a welder's helmet embodying my new design;

[22] Filed: **Jan. 3, 1994**

FIG. 2 is a front elevational view of the welder's helmet depicted in FIG. 1;

[52] U.S. Cl. **D29/110; D29/108**

FIG. 3 is a right side elevational view of the welder's helmet, it being understood that a left side elevational view would be a mirror image of the view depicted in FIG. 3;

[58] Field of Search **D29/9, 8, 15, 16, 17; 2/8, 9, 5**

FIG. 4 is a rear elevational view of the welder's helmet shown in FIG. 1;

[56] **References Cited**

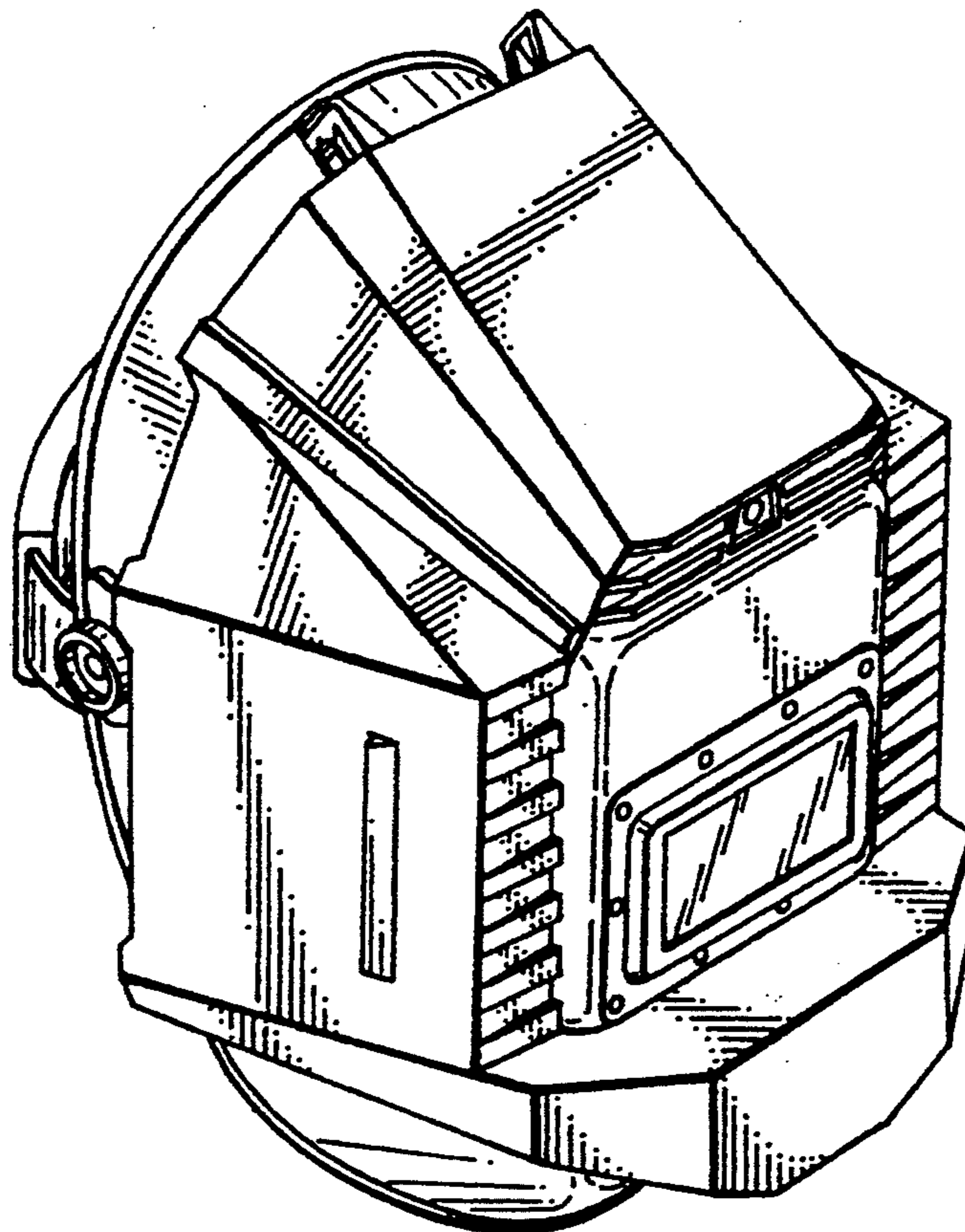
U.S. PATENT DOCUMENTS

D. 310,276 8/1990 Fuerthbauer et al. D29/9
5,302,815 4/1994 Eggenschwiler 2/8

FIG. 5 is a top plan view of the welder's helmet shown in FIG. 1; and,

FIG. 6 is a bottom plan view of the welder's helmet shown in FIG. 1.

Primary Examiner—Kay H. Chin



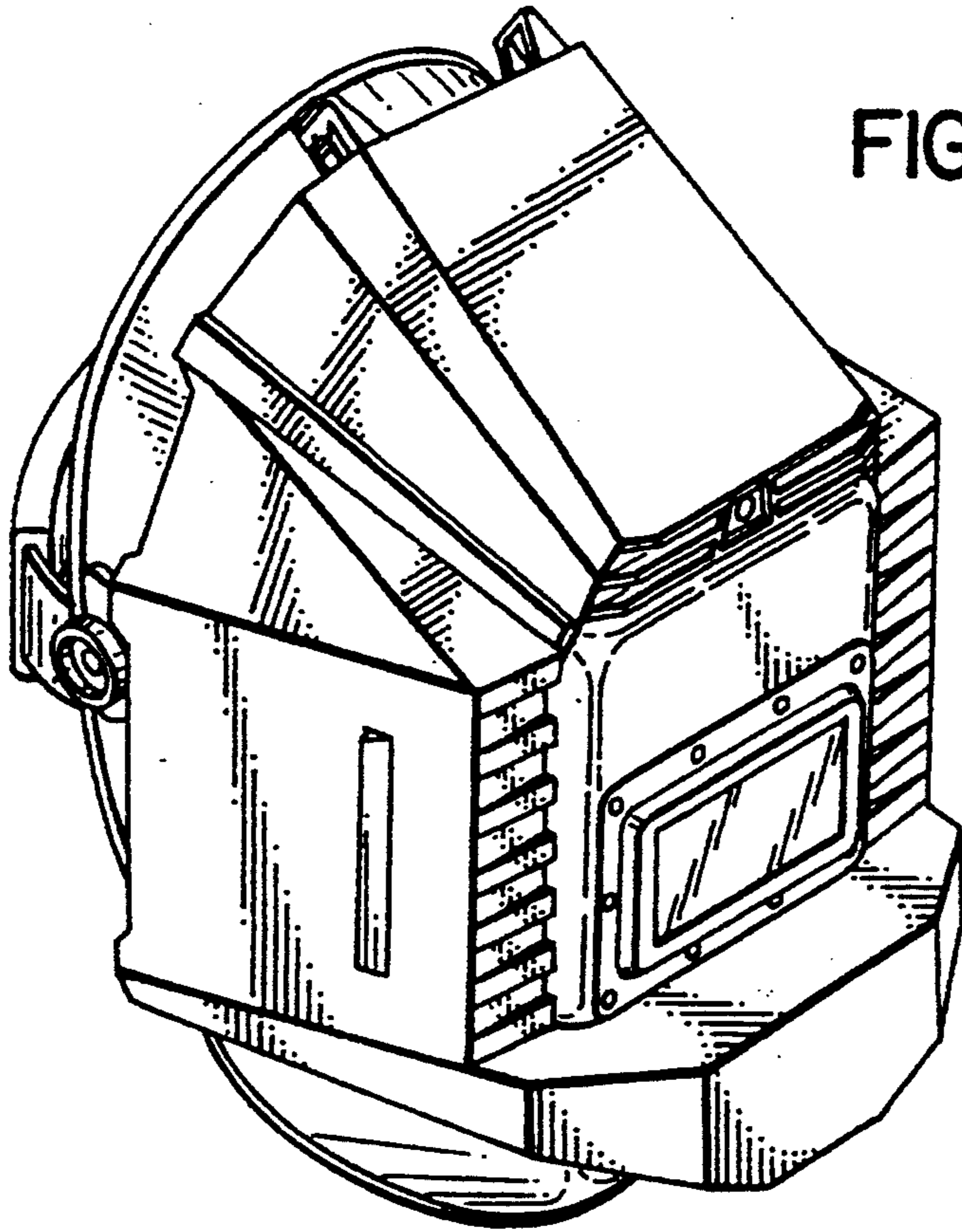


FIG. 1

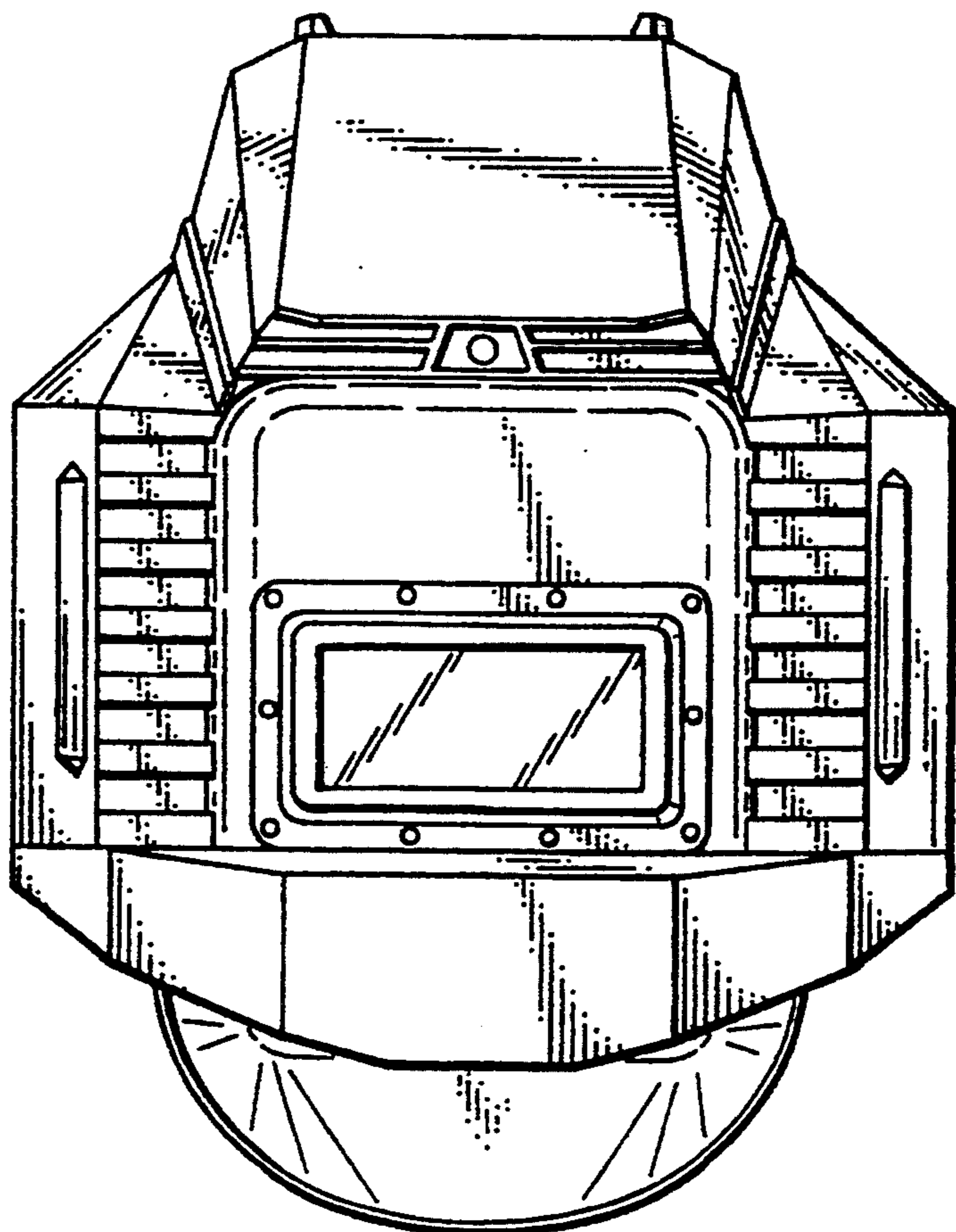


FIG. 2

FIG. 3

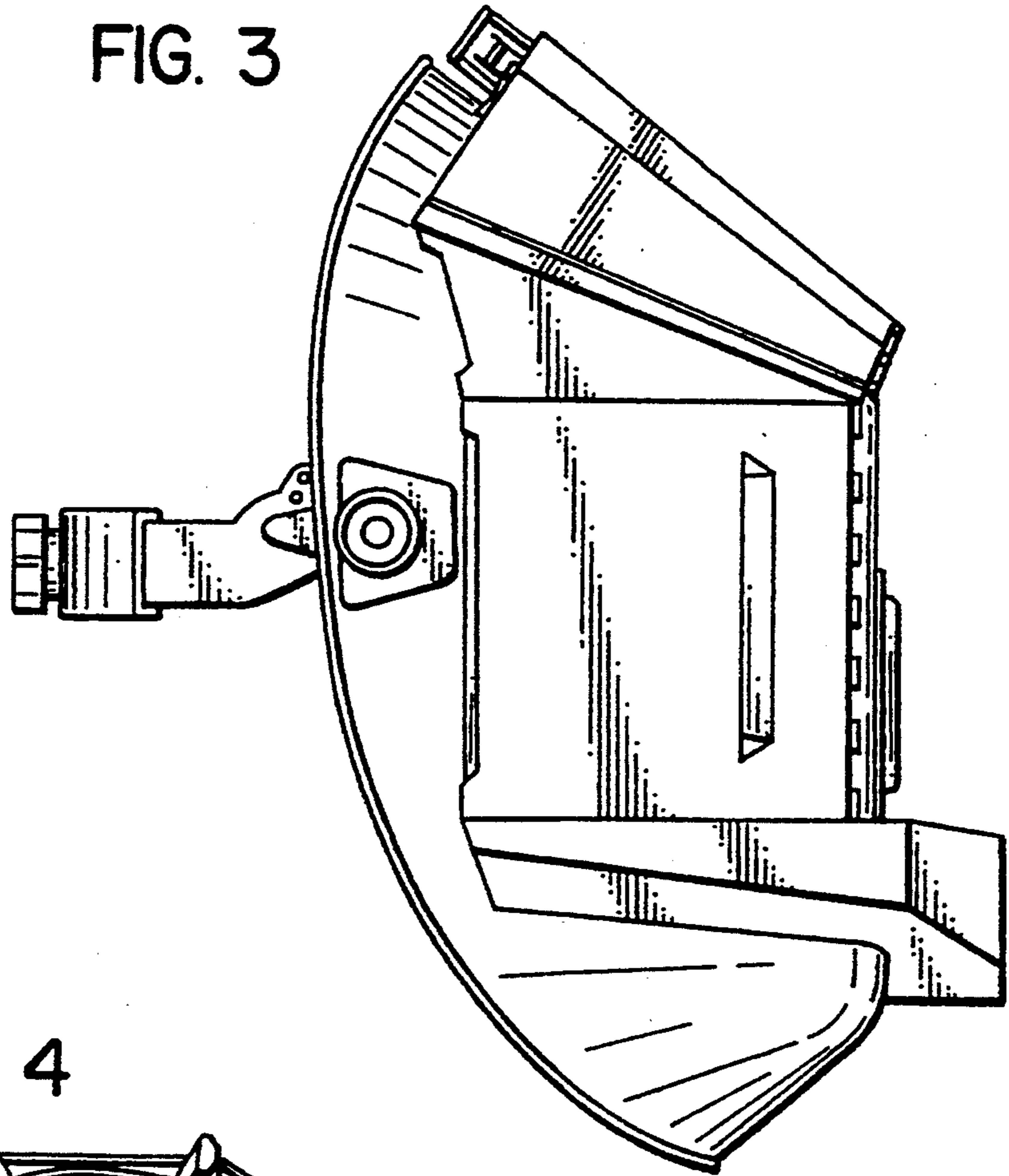


FIG. 4

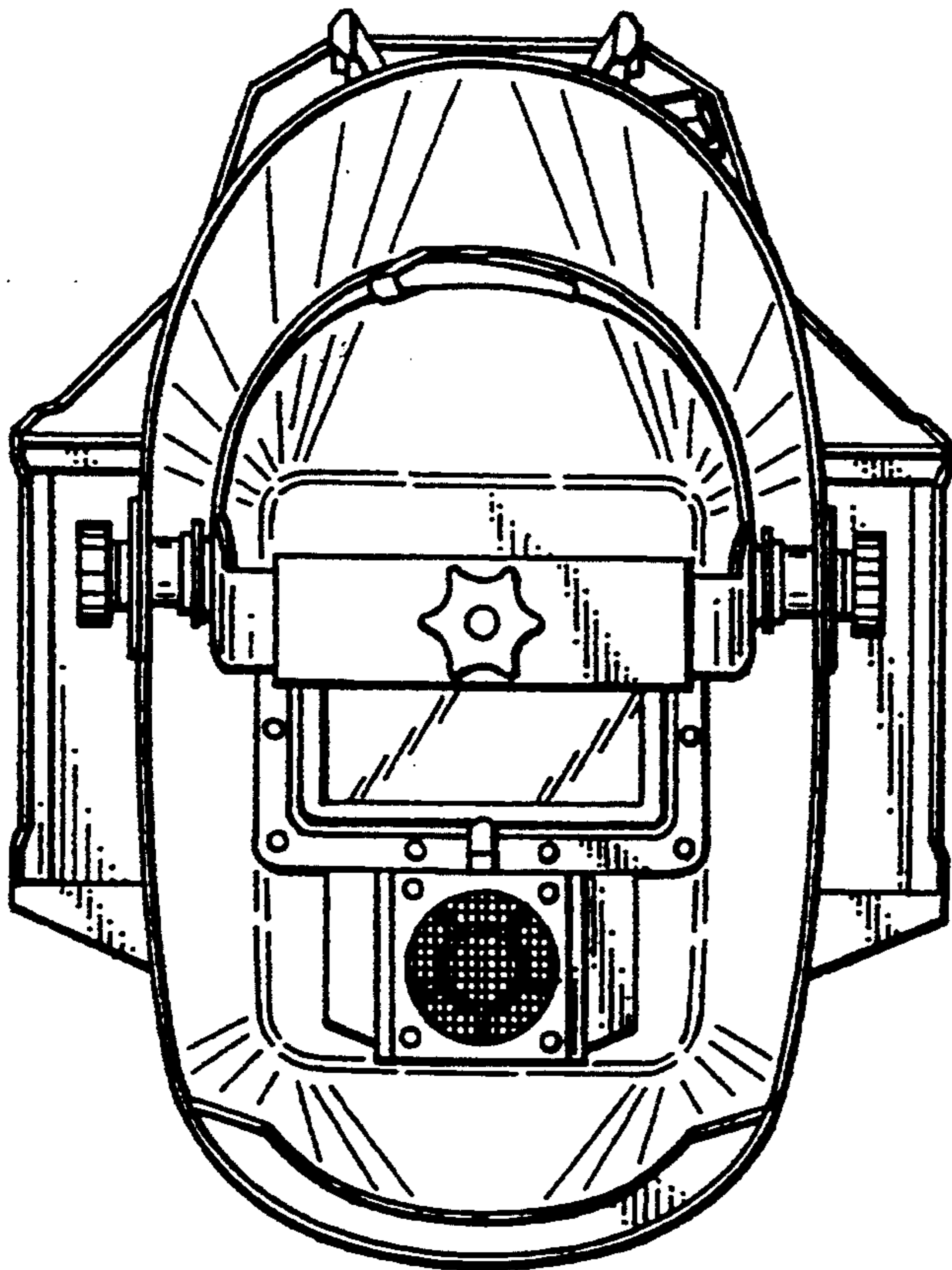


FIG. 5

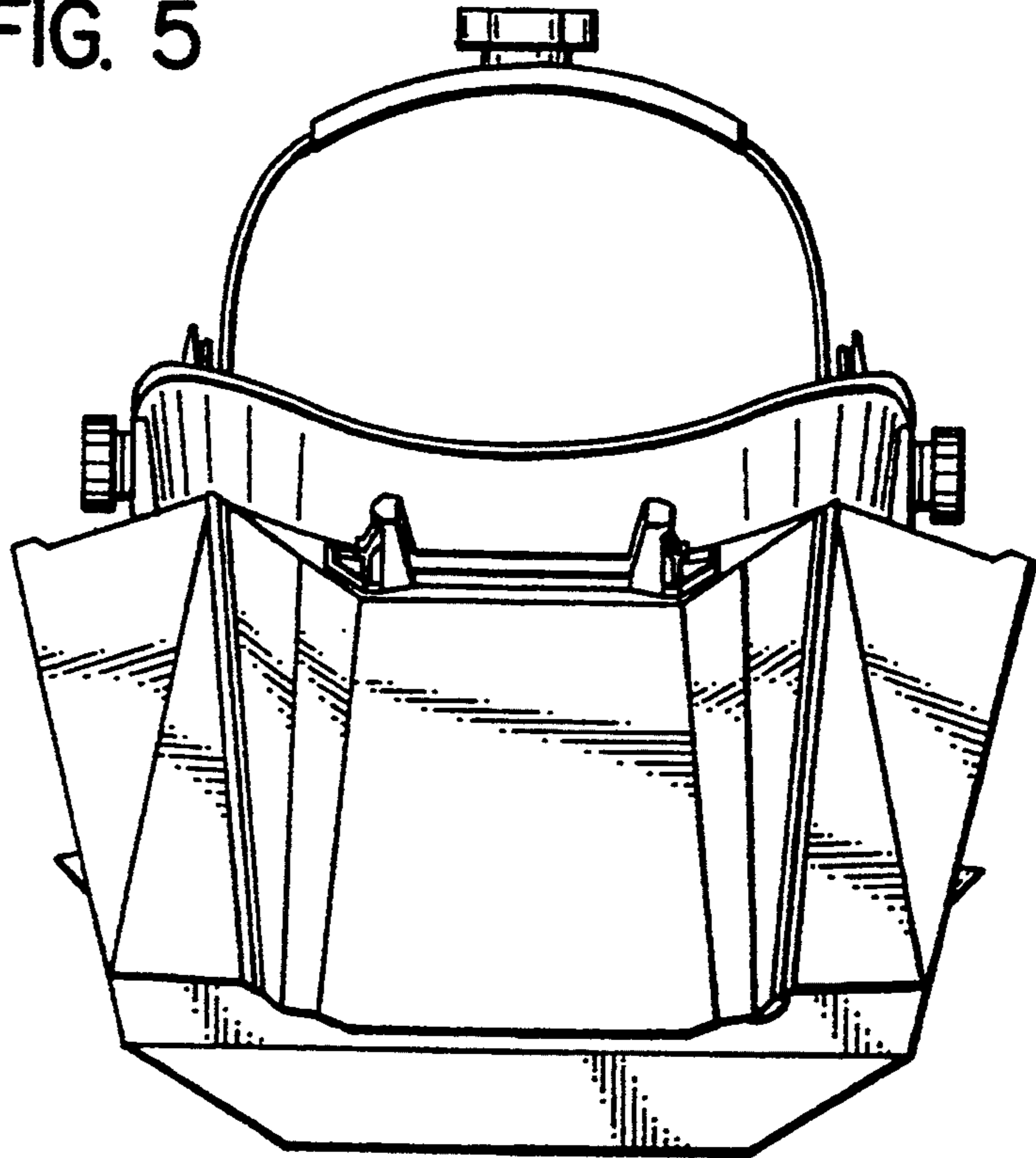


FIG. 6

