



US00D355048S

# United States Patent [19]

[11] Patent Number: **Des. 355,048**

**Soresina**

[45] Date of Patent: **\*\* Jan. 31, 1995**

[54] **HAIR DRIER**

[75] Inventor: **Gustavo Soresina**, Mendrisio, Switzerland

[73] Assignee: **Ligo Electric S.A.**, Ligornetto, Switzerland

[\*\*] Term: **14 Years**

[21] Appl. No.: **922,946**

[22] Filed: **Jul. 31, 1992**

[30] **Foreign Application Priority Data**

Jan. 31, 1992 [XH] Hague Agreement ..... DM/021.857  
 [52] U.S. Cl. .... **D28/13**  
 [58] Field of Search ..... D28/13-18;  
 34/96-101; 392/384, 385

[56] **References Cited**

**U.S. PATENT DOCUMENTS**

D. 265,767 8/1982 Stewart et al. .... D28/13  
 D. 296,148 6/1988 Snyder ..... D28/13  
 4,524,263 6/1985 Yamac ..... 392/384 X  
 4,918,289 4/1990 Ohlsen et al. .... 392/385

**FOREIGN PATENT DOCUMENTS**

3903442 8/1990 Germany ..... 392/385

**OTHER PUBLICATIONS**

"Hong Kong Enterprise" Oct. 1989, p. 278; item Nos. SHO-1 and SHO-3.

*Primary Examiner*—Bernard Ansher

*Assistant Examiner*—C. Tuttle

*Attorney, Agent, or Firm*—Cushman Darby & Cushman

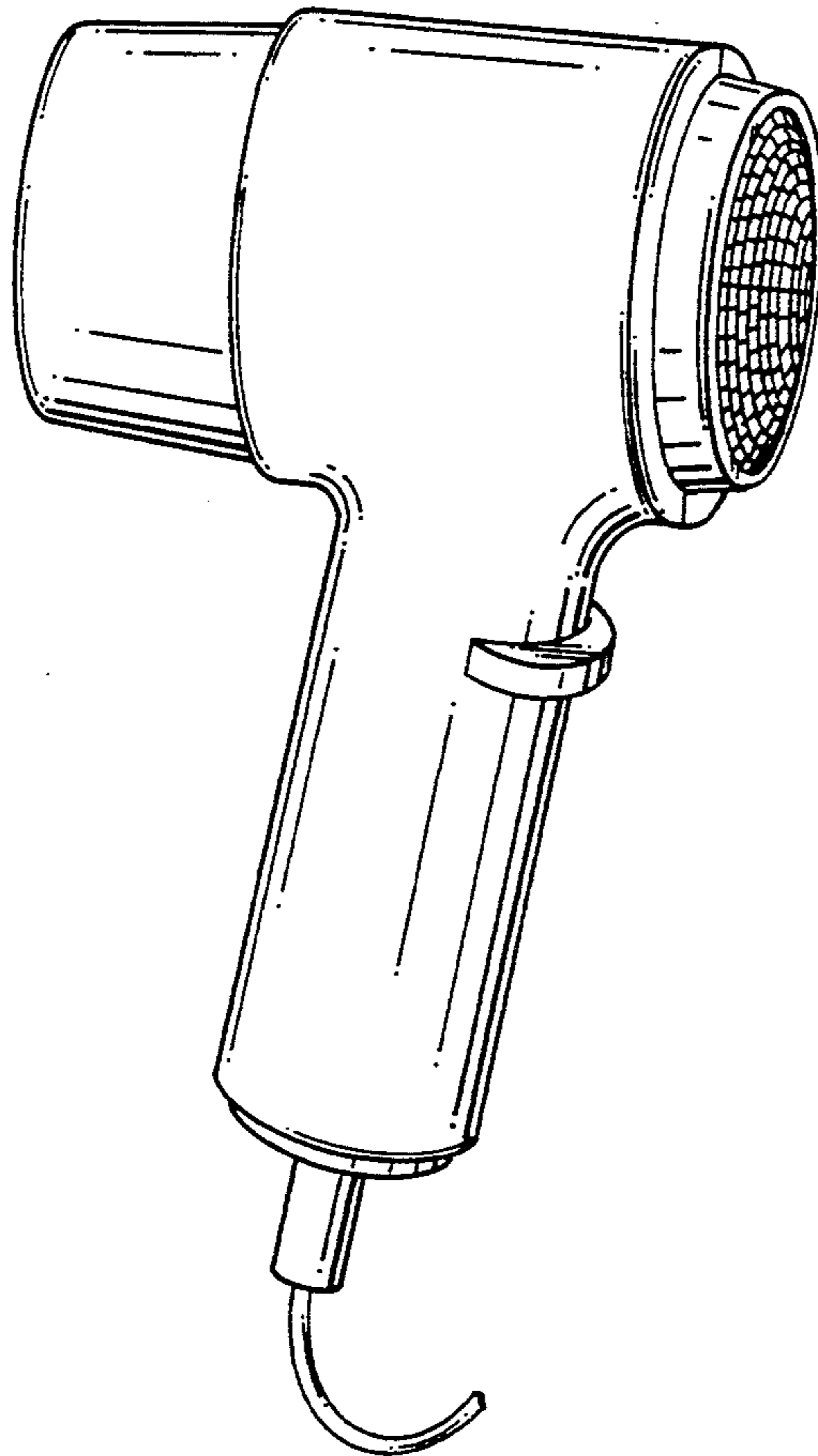
[57] **CLAIM**

The ornamental design for a hair drier, as shown and described.

**DESCRIPTION**

FIG. 1 is a perspective view of a hair drier showing my new design from the rear and left side;  
 FIG. 2 is a right side elevational view thereof;  
 FIG. 3 is a left side elevational view thereof;  
 FIG. 4 is a rear elevational view thereof;  
 FIG. 5 is a front elevational view thereof;  
 FIG. 6 is a top plan view thereof; and,  
 FIG. 7 is a bottom plan view thereof.

The narrow portion of the cord element is shown partially broken away in FIG. 1 to indicate indeterminate length; and omitted in the other views for ease of illustration.



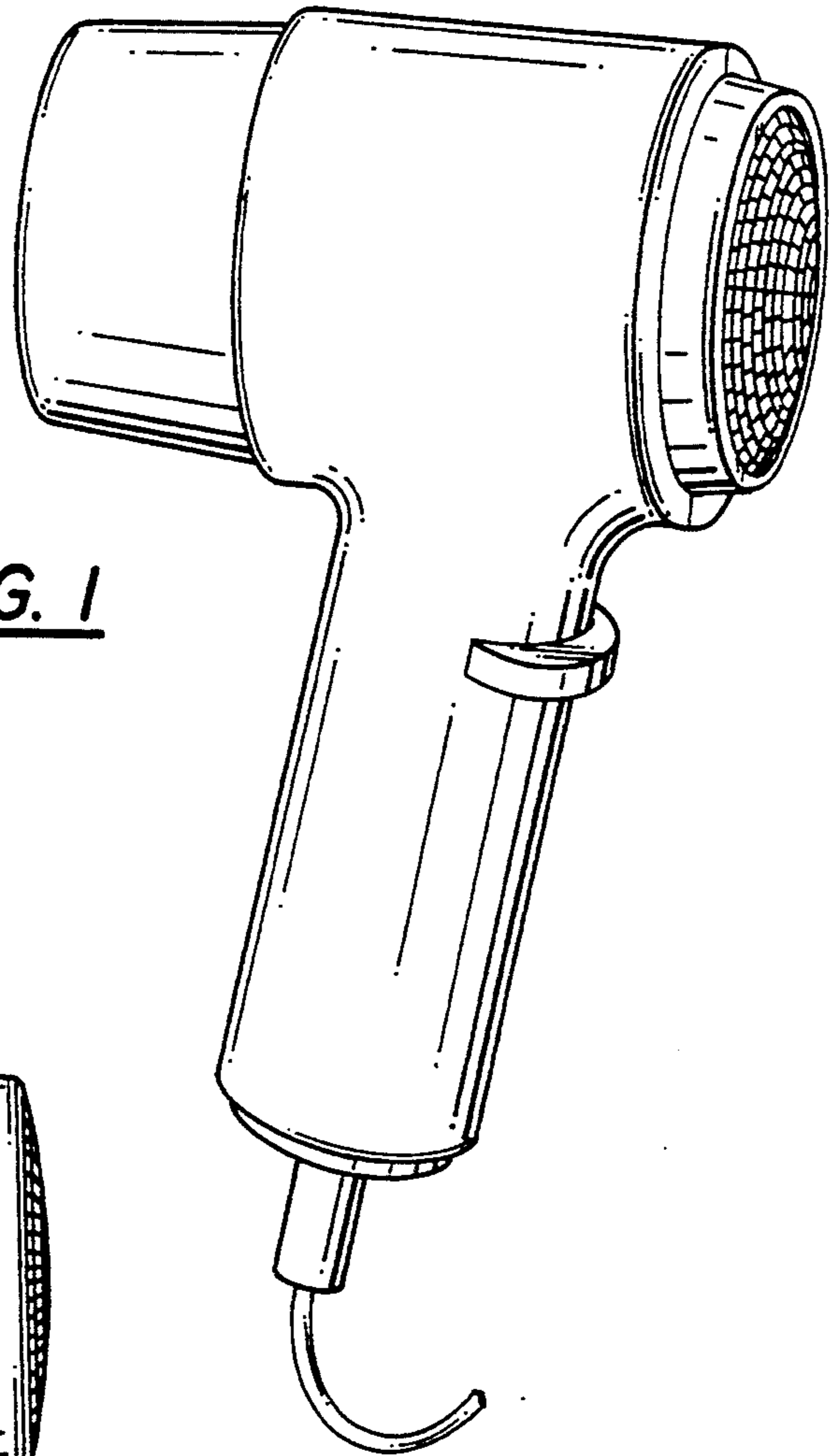


FIG. 1

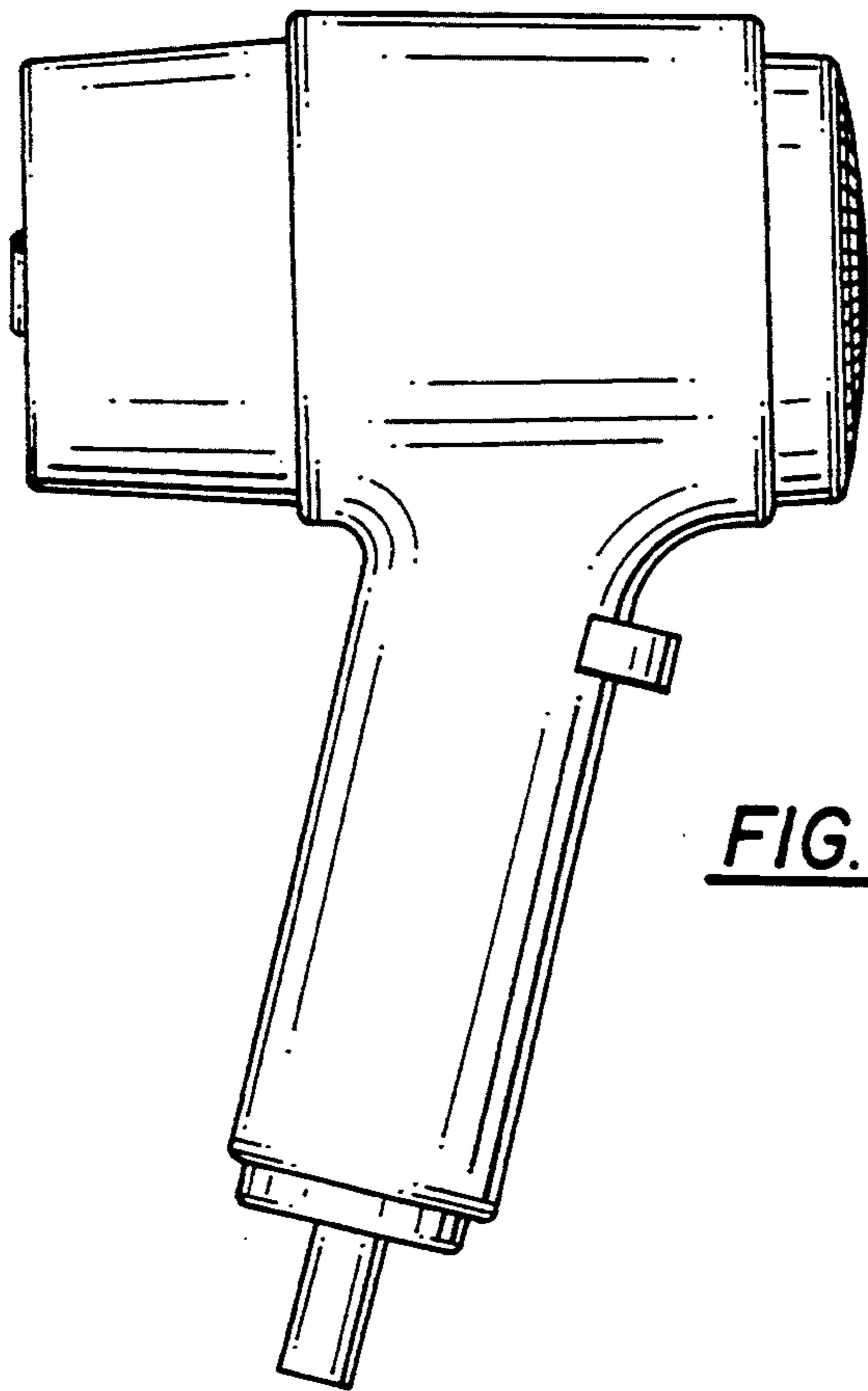


FIG. 2

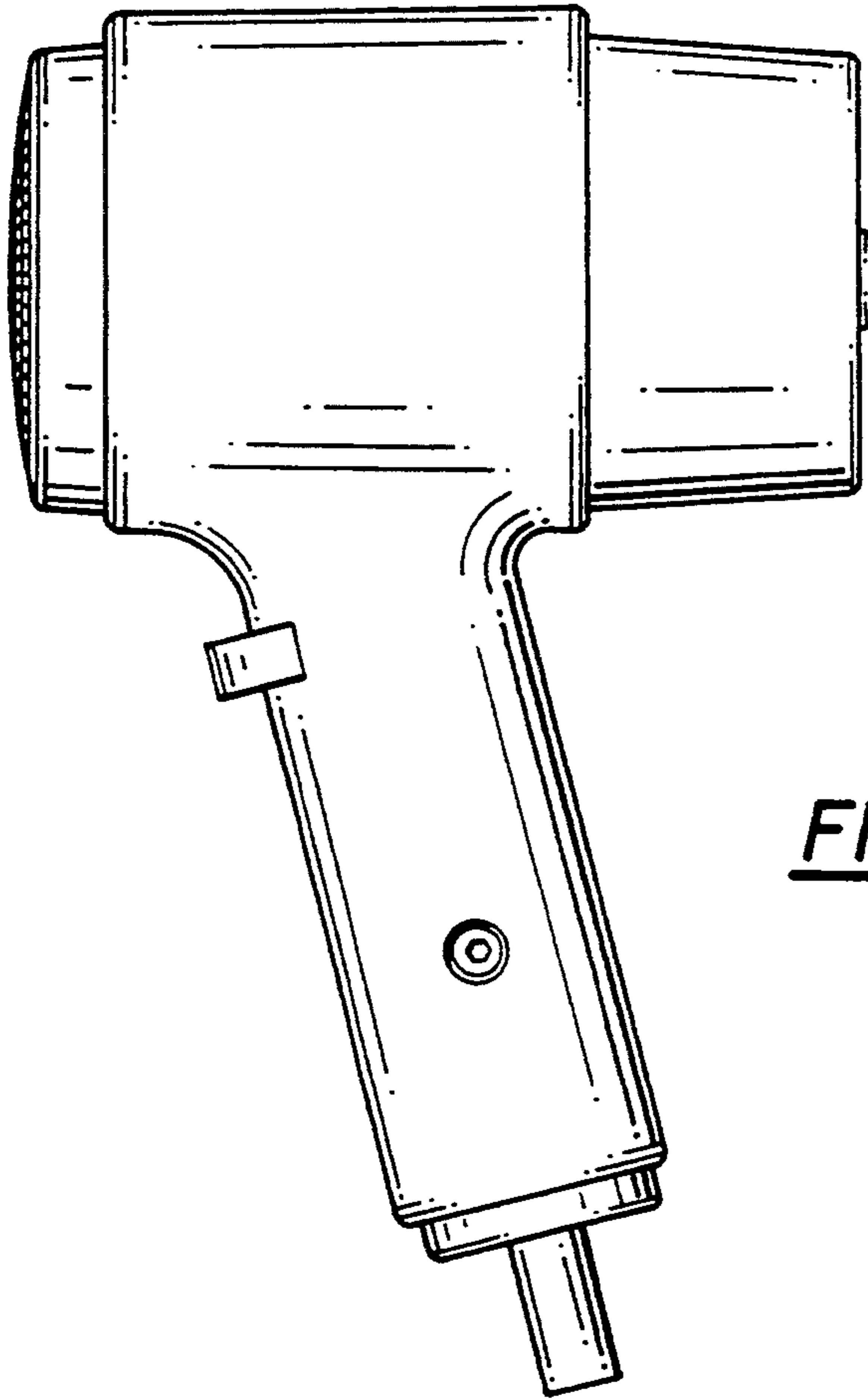


FIG. 3

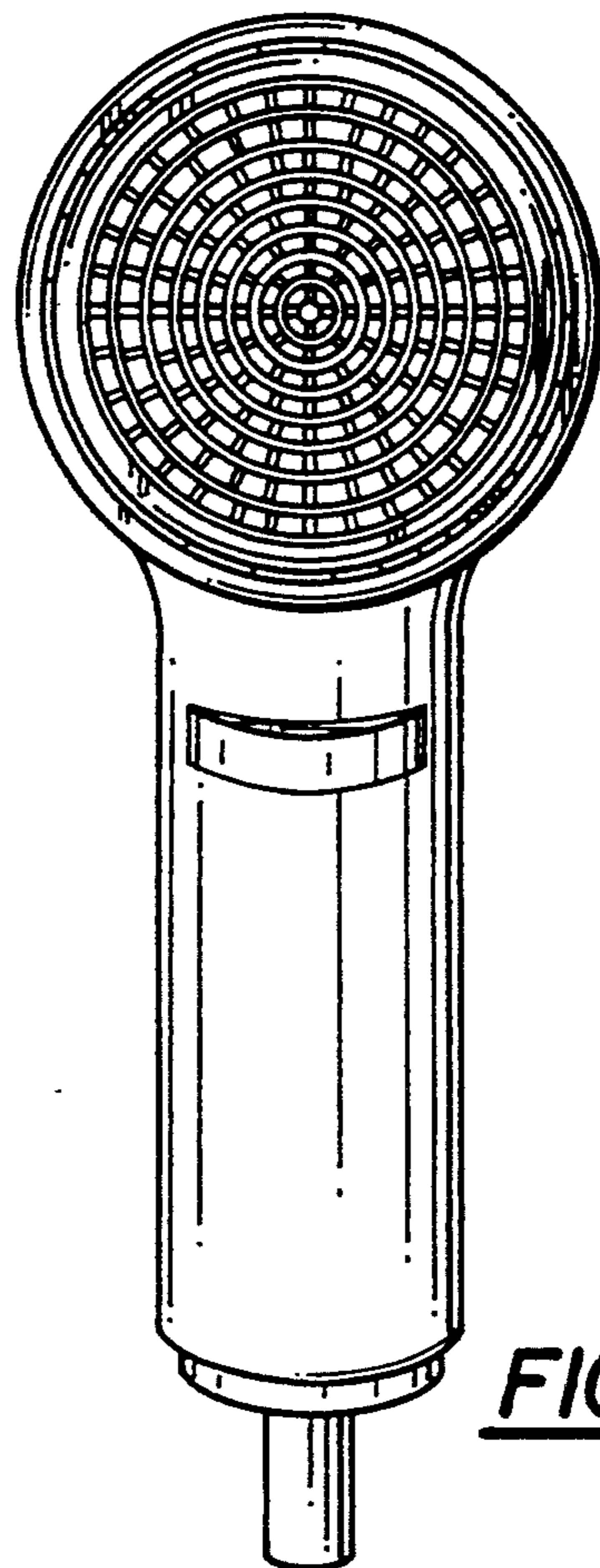


FIG. 4

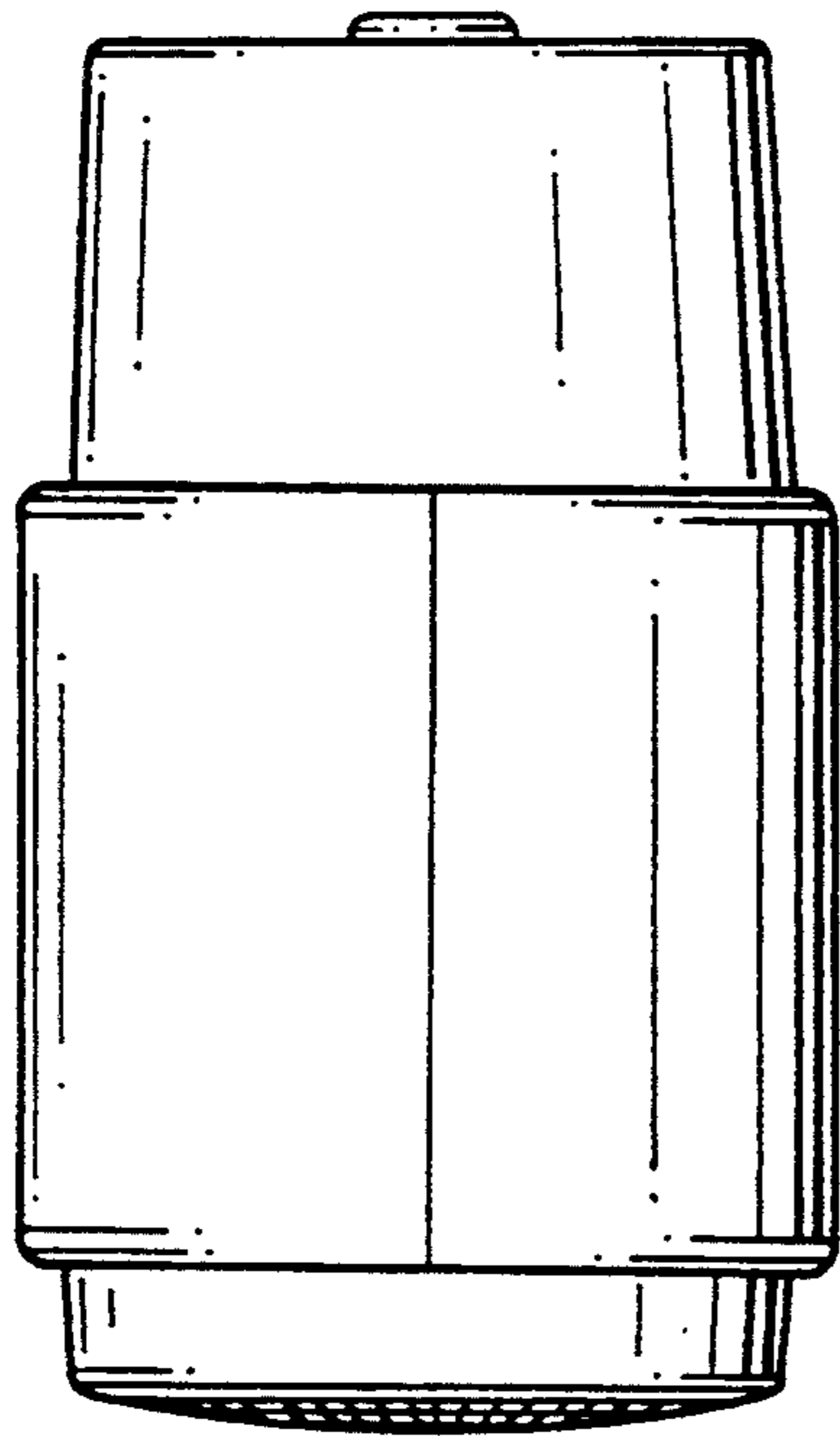


FIG. 6

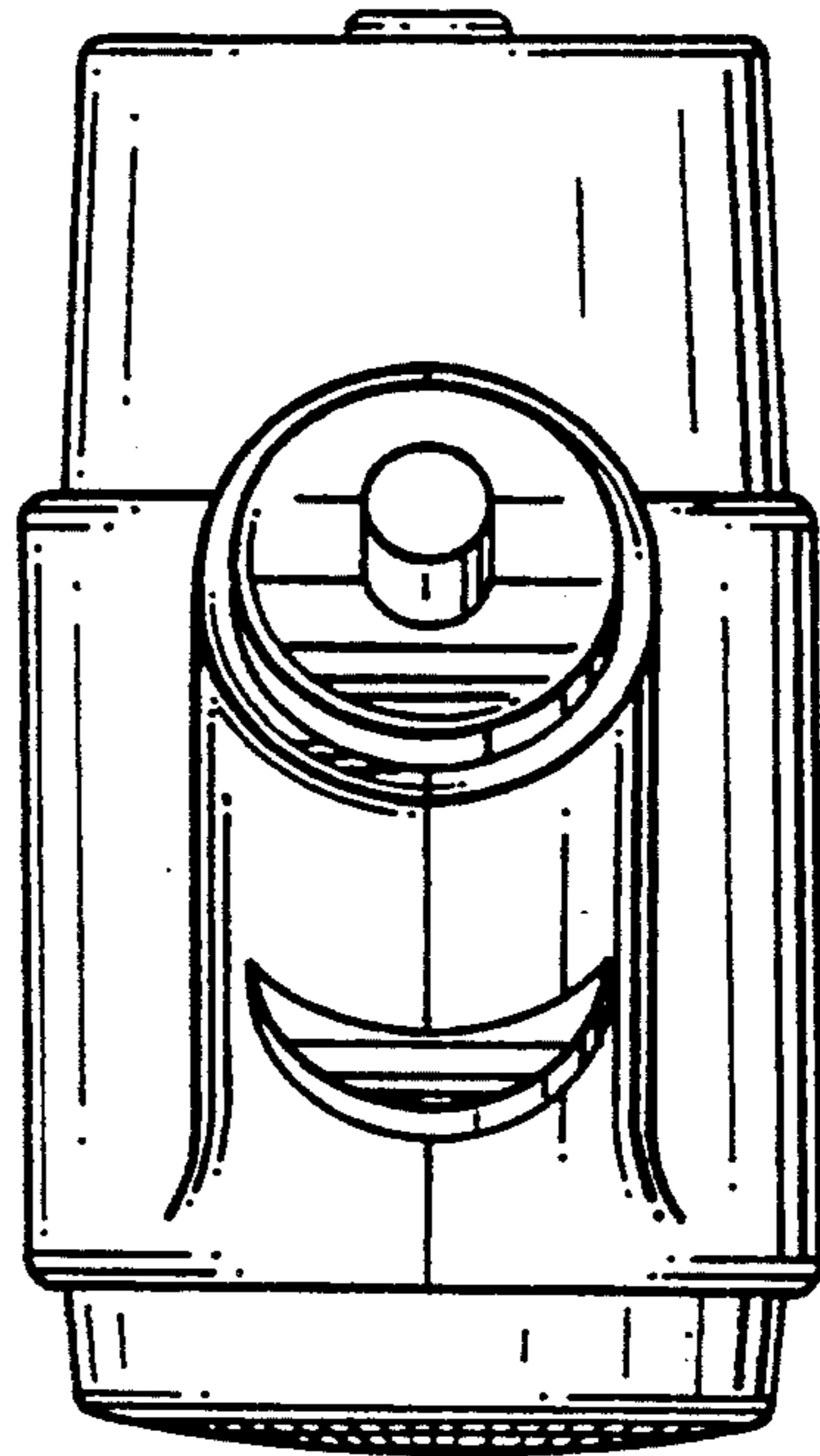


FIG. 7

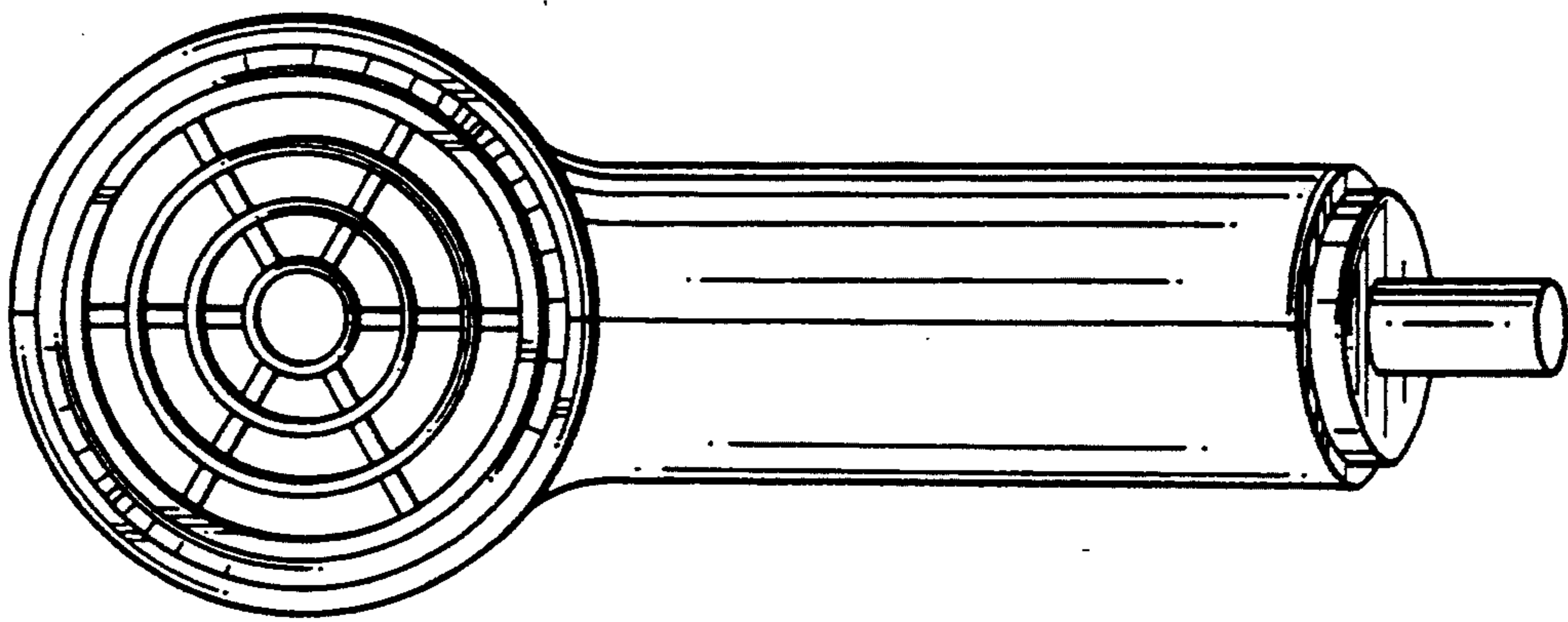


FIG. 5