



US00D355044S

# United States Patent [19]

[11] Patent Number: **Des. 355,044**

Russello et al.

[45] Date of Patent: **\*\* Jan. 31, 1995**

[54] WALL MOUNTED LIGHTING FIXTURE

[75] Inventors: **Thomas Russello, Howell; Richard Sangiamo**, Linden, both of N.J.

[73] Assignee: **The Genlyte Group Incorporated**, Secaucus, N.J.

[\*\*] Term: **14 Years**

[21] Appl. No.: **908**

[22] Filed: **Oct. 28, 1992**

[52] U.S. Cl. .... **D26/85**

[58] Field of Search ..... **D26/72, 80-92; 362/147, 432, 404, 362**

[56] **References Cited**

**U.S. PATENT DOCUMENTS**

D. 190,385 5/1961 Schreckengost ..... D26/85

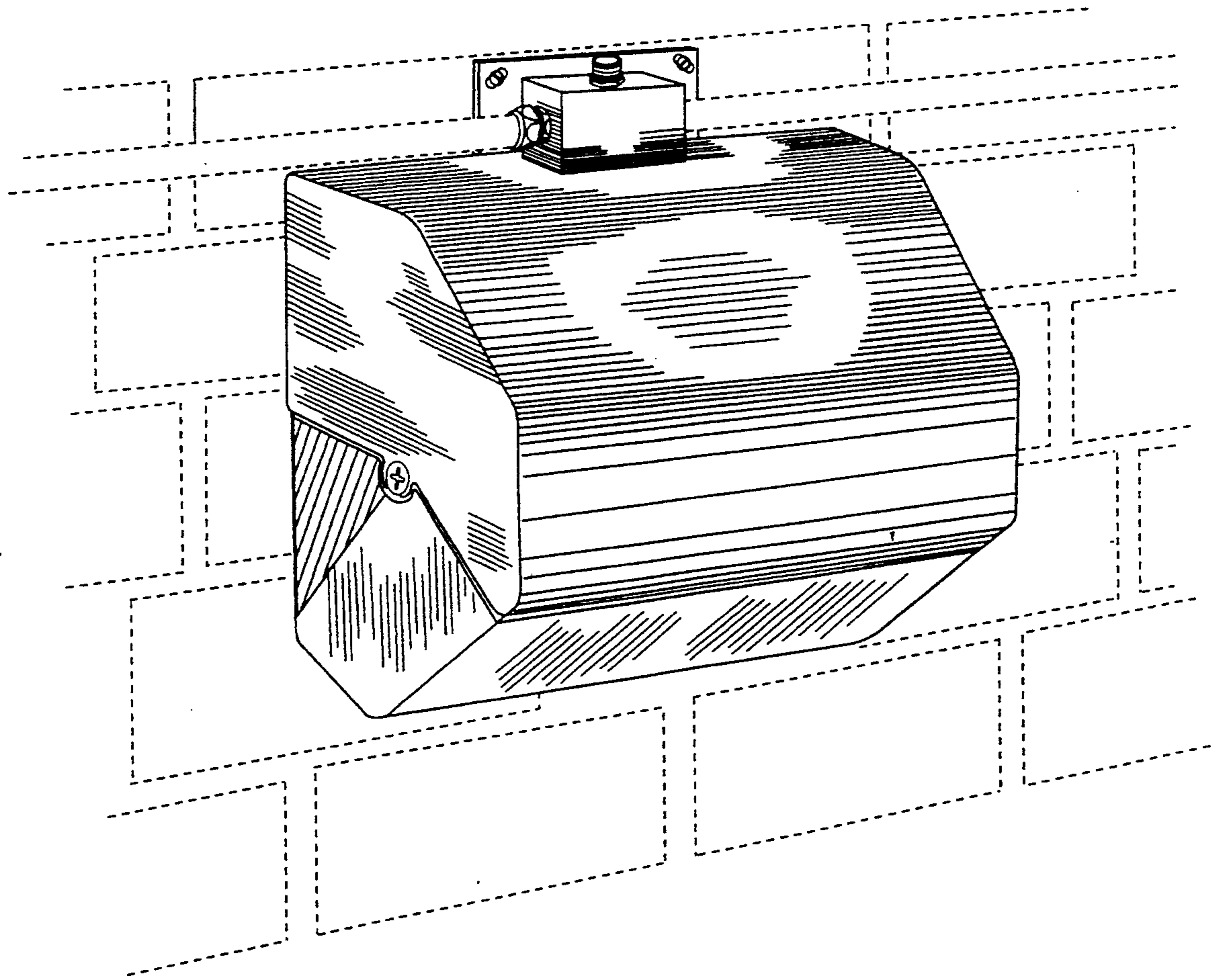
*Primary Examiner*—Susan J. Lucas  
*Attorney, Agent, or Firm*—Kane, Dalsimer, Sullivan, Kurucz, Levy, Eisele and Richard

[57] **CLAIM**

The ornamental design for wall mounted lighting fixture, as shown and described.

**DESCRIPTION**

FIG. 1 is a front perspective view of a wall mounted lighting fixture, the wall and conduit being shown in broken lines for illustrative purposes only; FIG. 2 is a front elevational view thereof; FIG. 3 is an enlarged right side elevational view thereof; FIG. 4 is a bottom plan view thereof; and, FIG. 5 is a top plan view thereof, the rear view not being seen after normal installation.



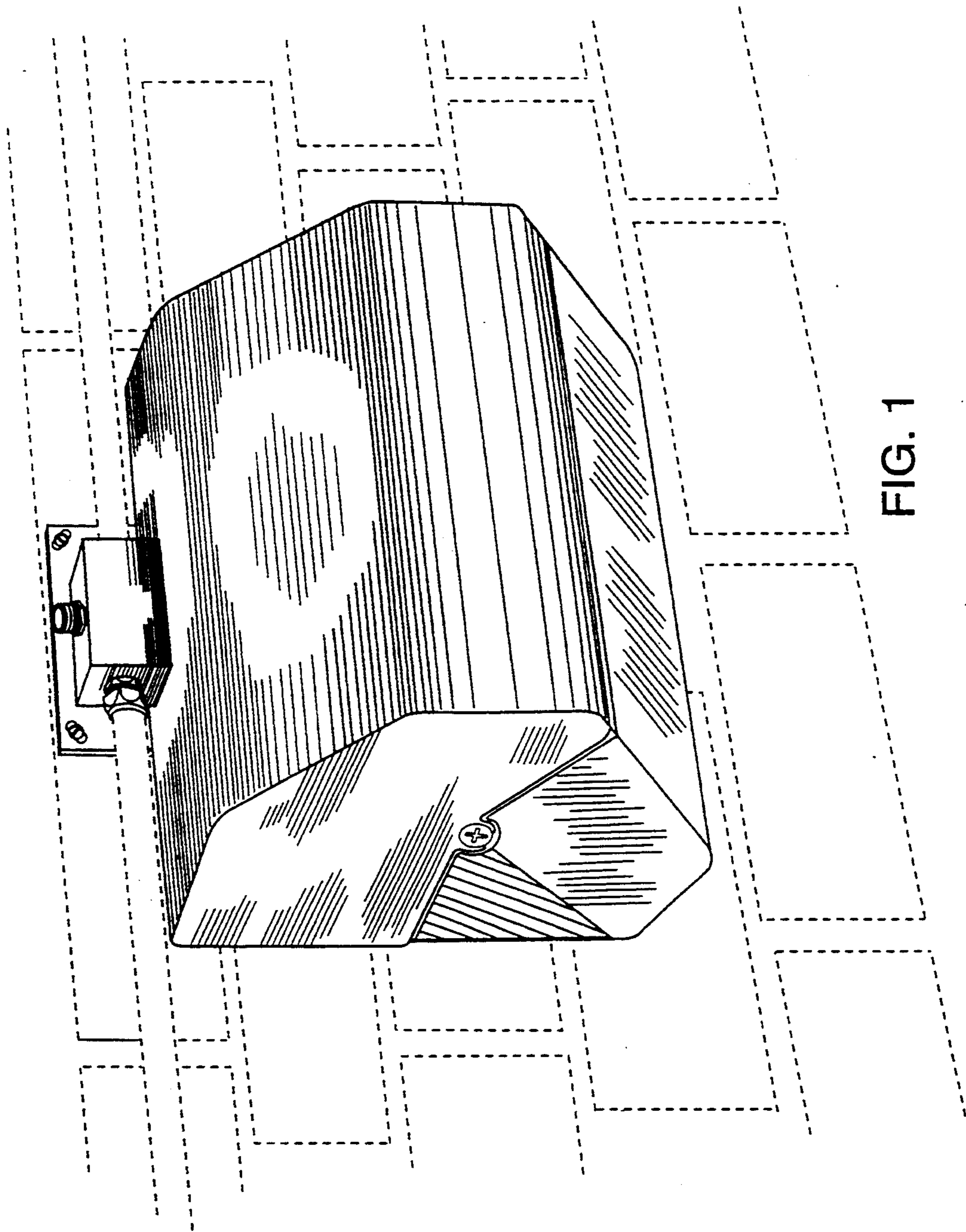


FIG. 1

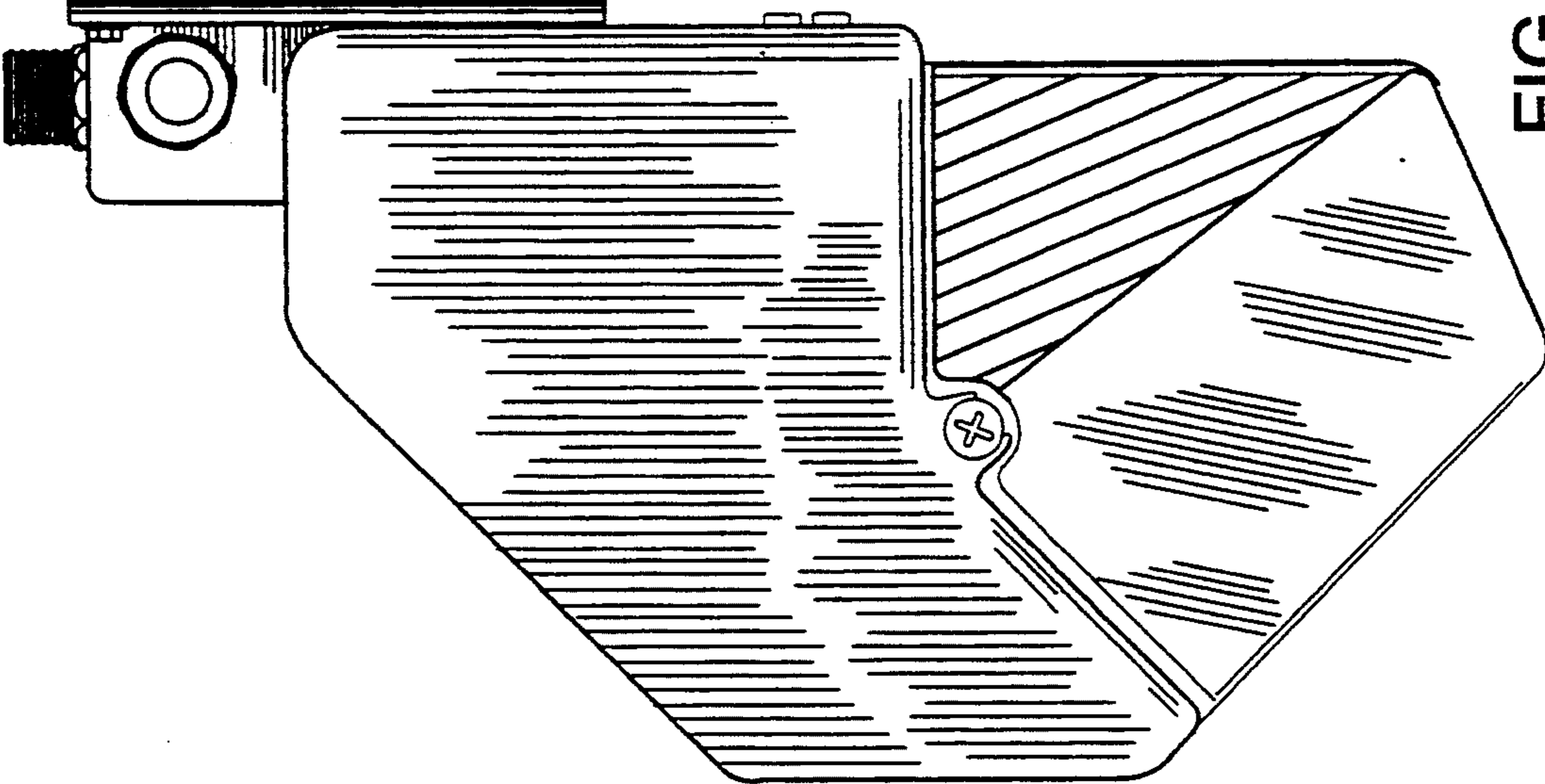


FIG. 2

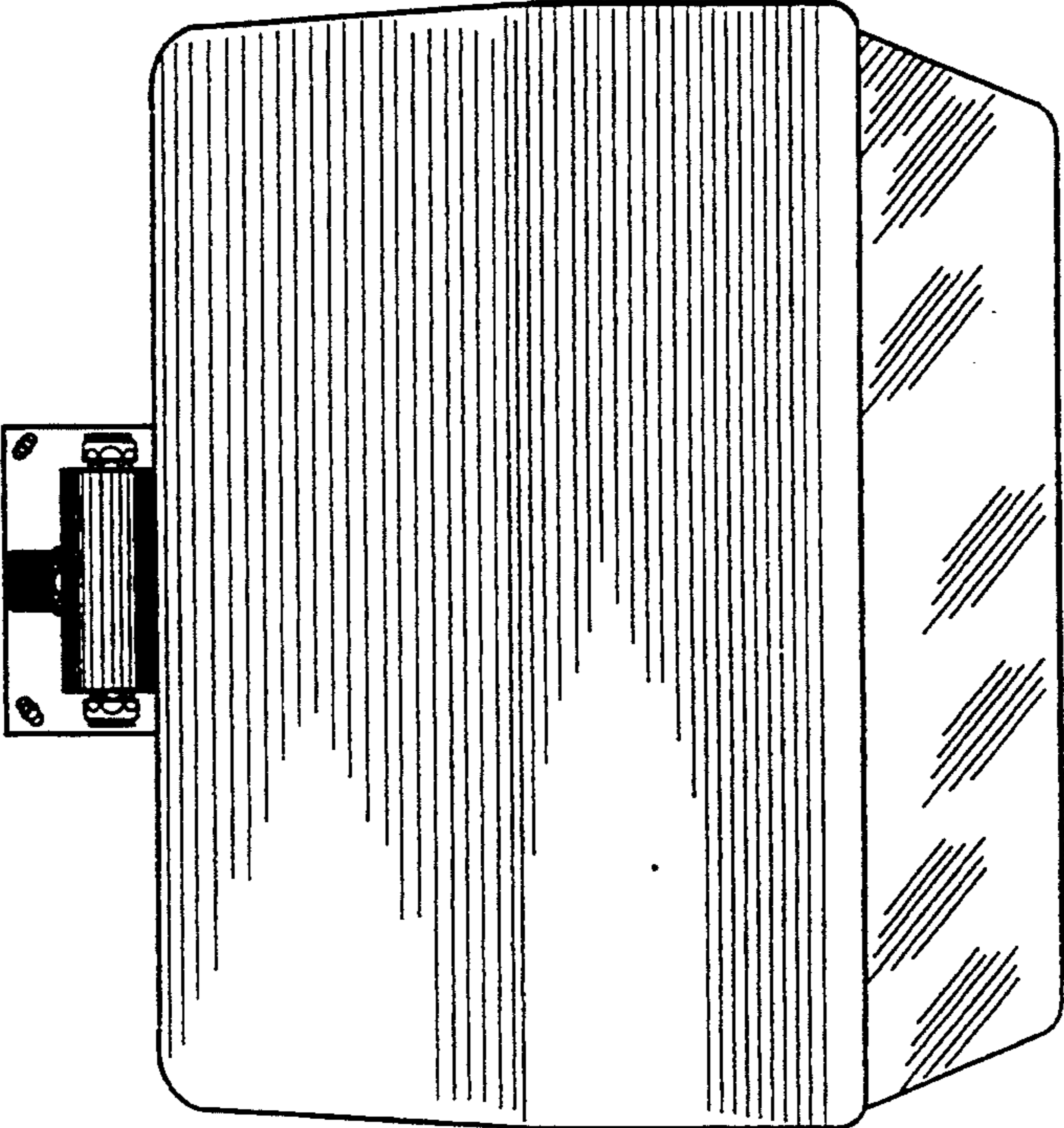


FIG. 3

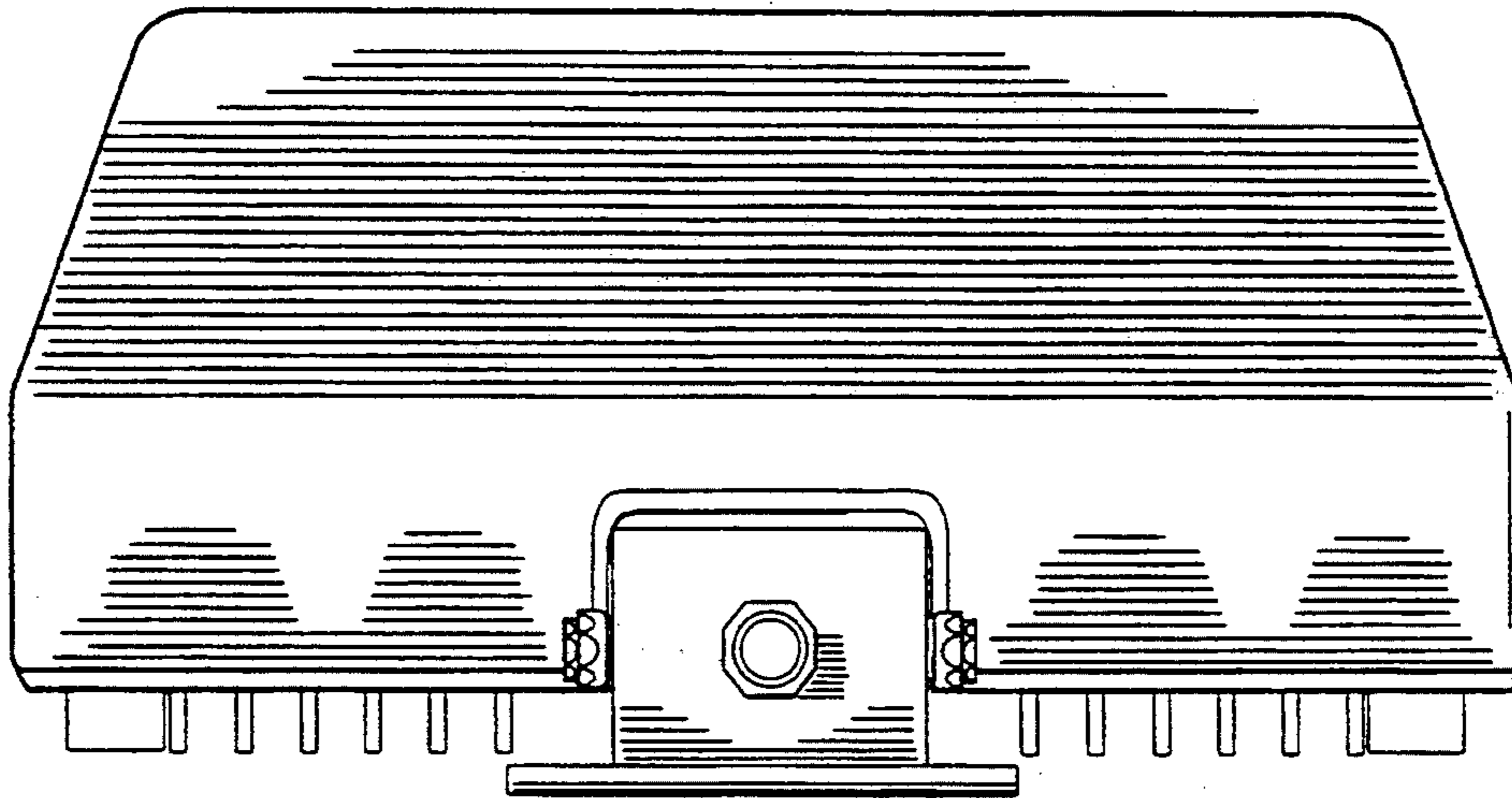


FIG. 5

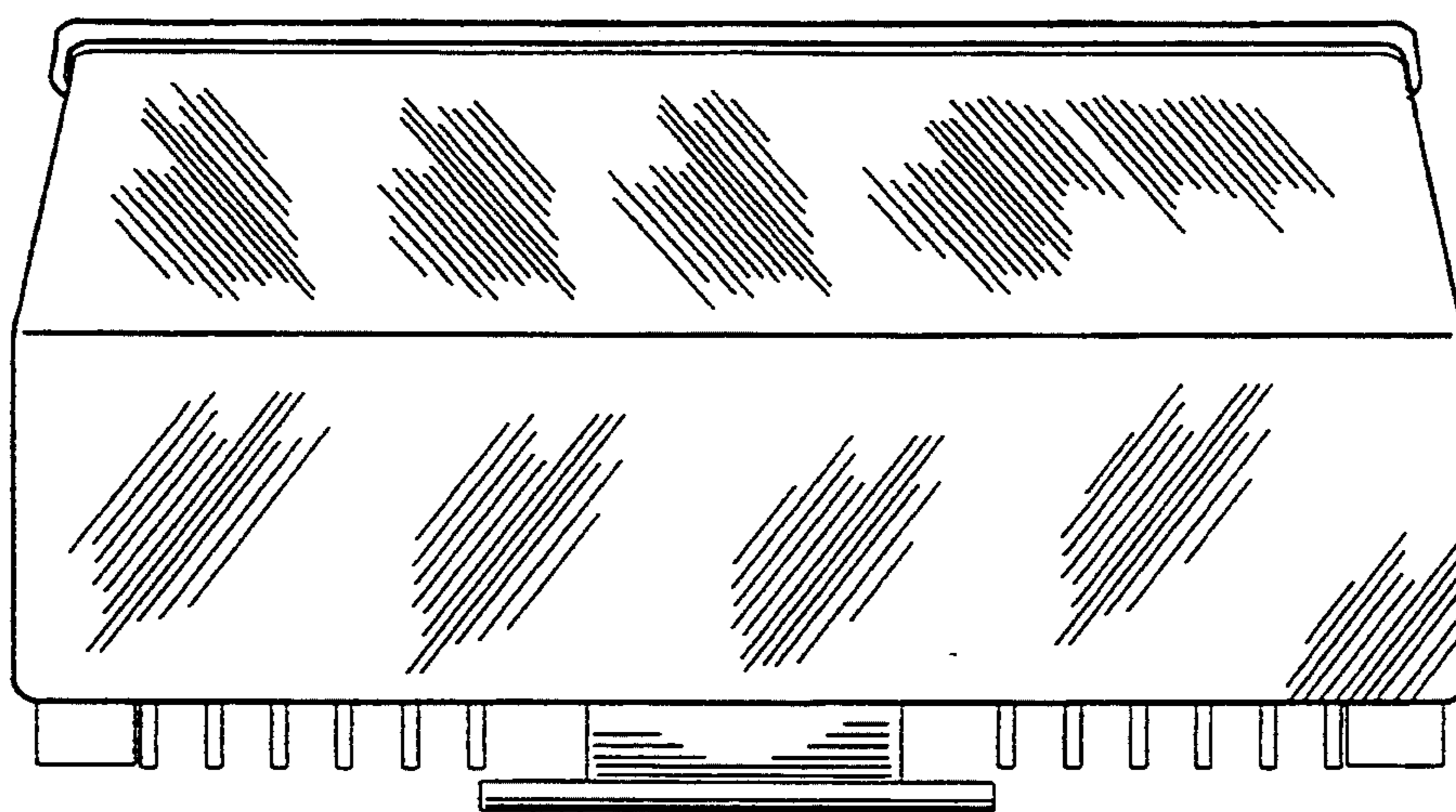


FIG. 4