



US00D355042S

United States Patent [19]

[11] Patent Number: **Des. 355,042**

Panagiotou

[45] Date of Patent: **** Jan. 31, 1995**

[54] **THREE LIGHT ADJUSTABLE LAMP**

1,733,368 10/1929 Douglas 362/240
2,645,705 7/1953 Rutledge 362/249
3,309,514 3/1967 Levy et al. 362/240 X

[76] Inventor: **George N. Panagiotou**, 409 Calle San Pablo, #105, Camarillo, Calif. 93010

Primary Examiner—Susan J. Lucas
Attorney, Agent, or Firm—Kenneth J. Hovet

[**] Term: **14 Years**

[57] **CLAIM**

[21] Appl. No.: **10,949**

The ornamental design for a three light adjustable lamp, as shown and described.

[22] Filed: **Jul. 26, 1993**

DESCRIPTION

[52] U.S. Cl. **D26/63**

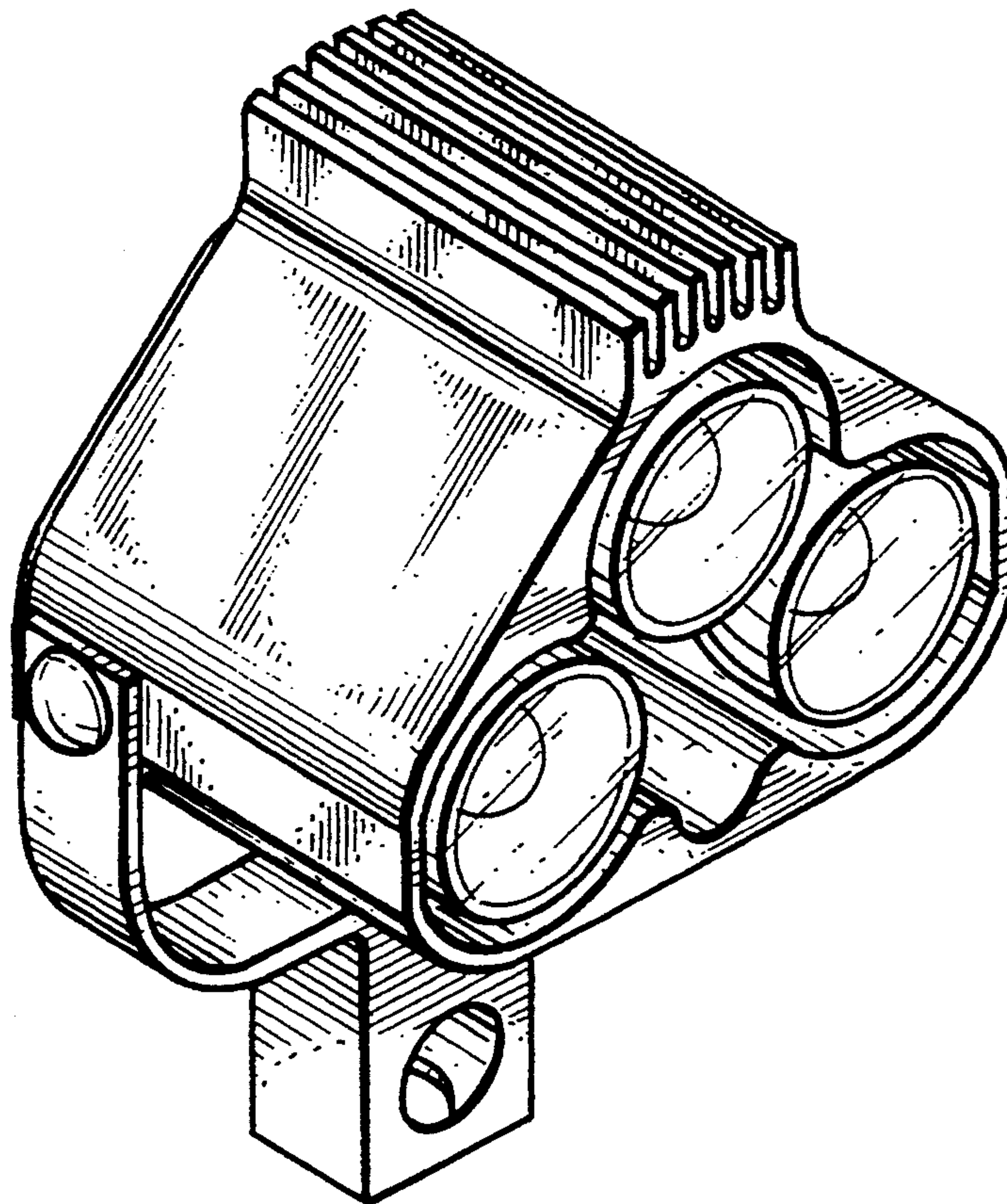
[58] Field of Search **D26/60, 61, 62, 63, D26/65; 362/147, 269, 271, 275, 418, 419, 427, 240, 249**

FIG. 1 is a front isometric view of a three light adjustable lamp showing my new design;
FIG. 2 is a front end elevational view thereof;
FIG. 3 is a right side elevational view thereof, with the left side being identical thereto;
FIG. 4 is a rear end elevational view thereof;
FIG. 5 is a top plan view thereof; and,
FIG. 6 is a bottom plan view thereof.

[56] **References Cited**

U.S. PATENT DOCUMENTS

D. 211,388 6/1968 Harrison D26/63



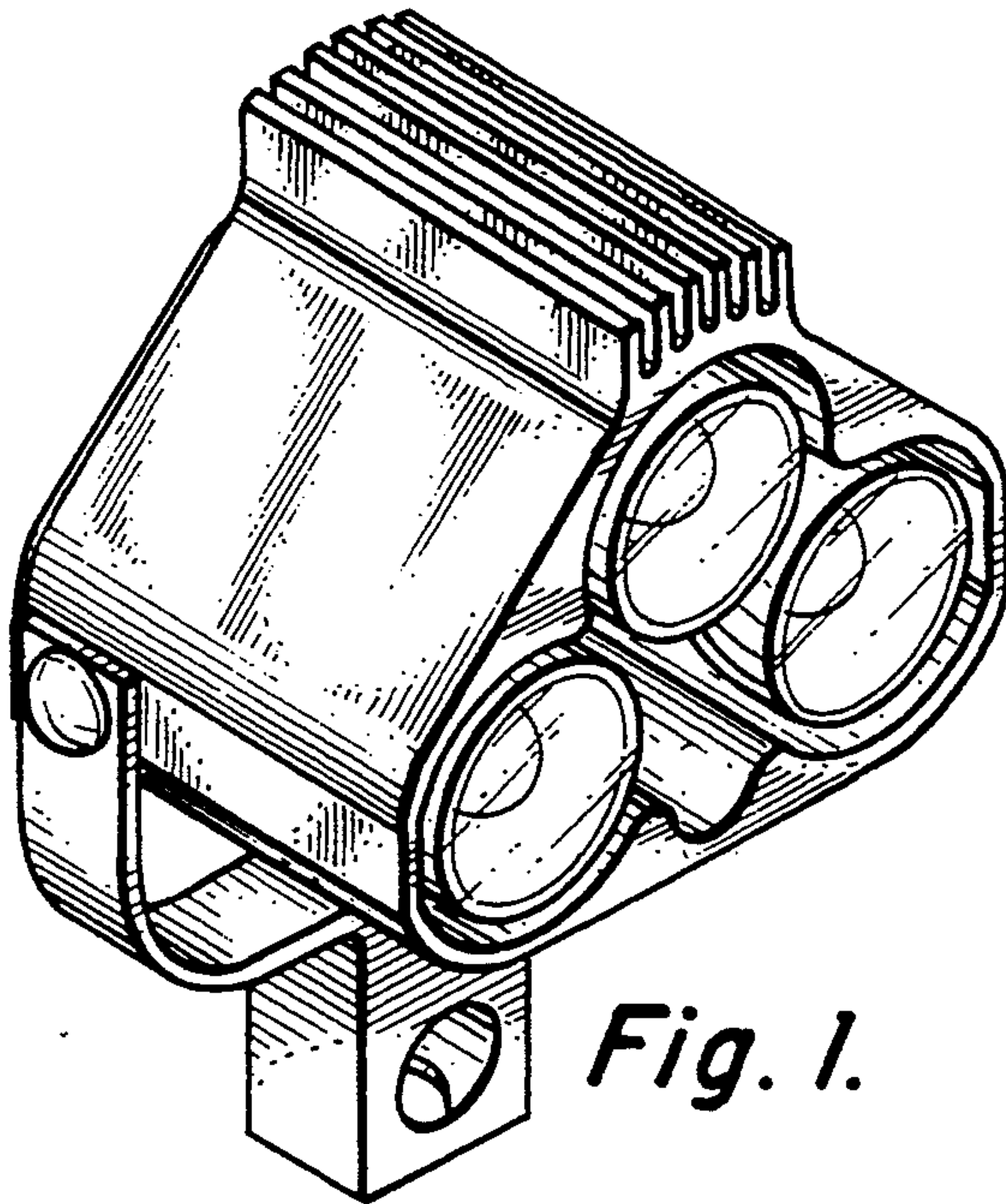


Fig. 1.

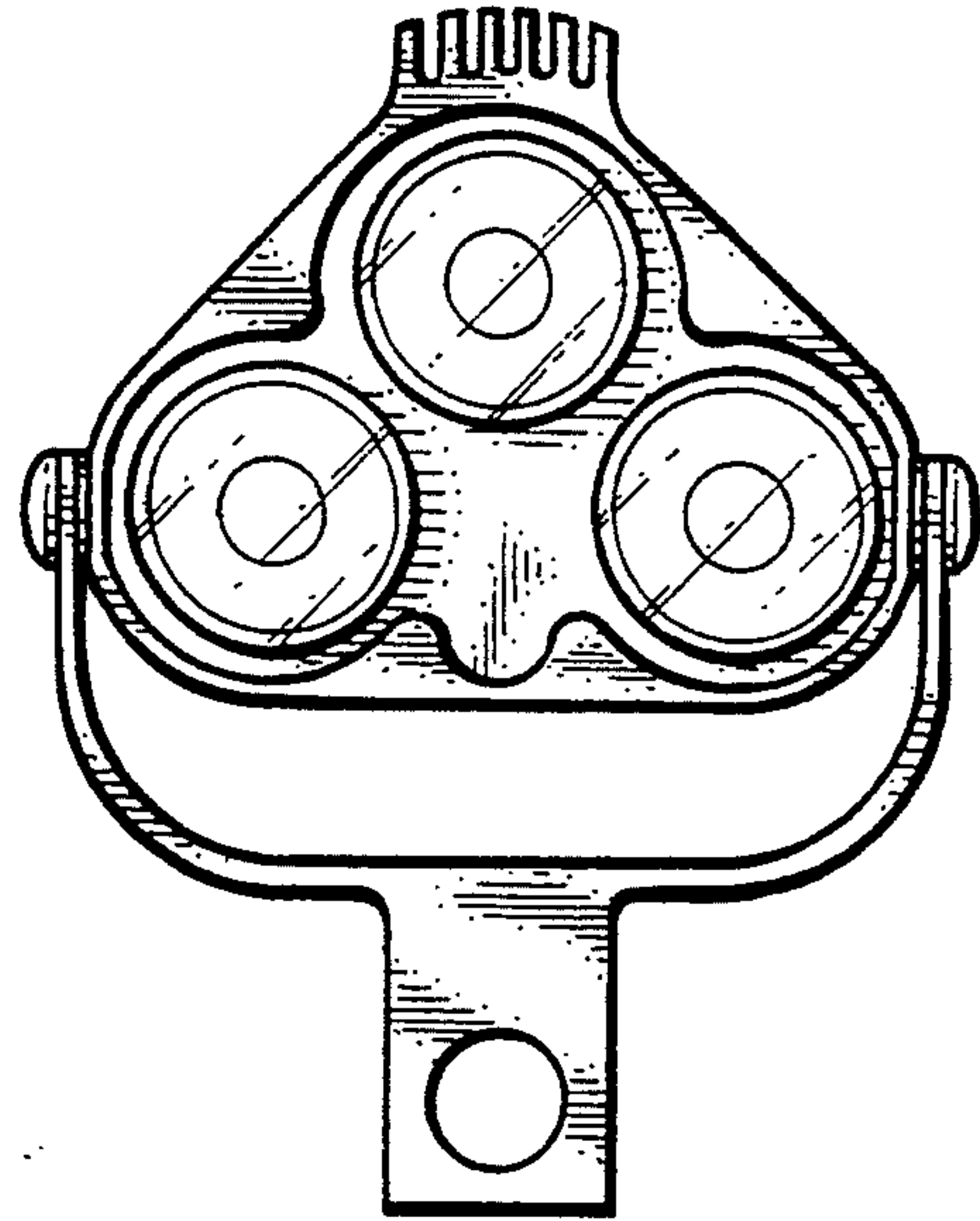


Fig. 2.

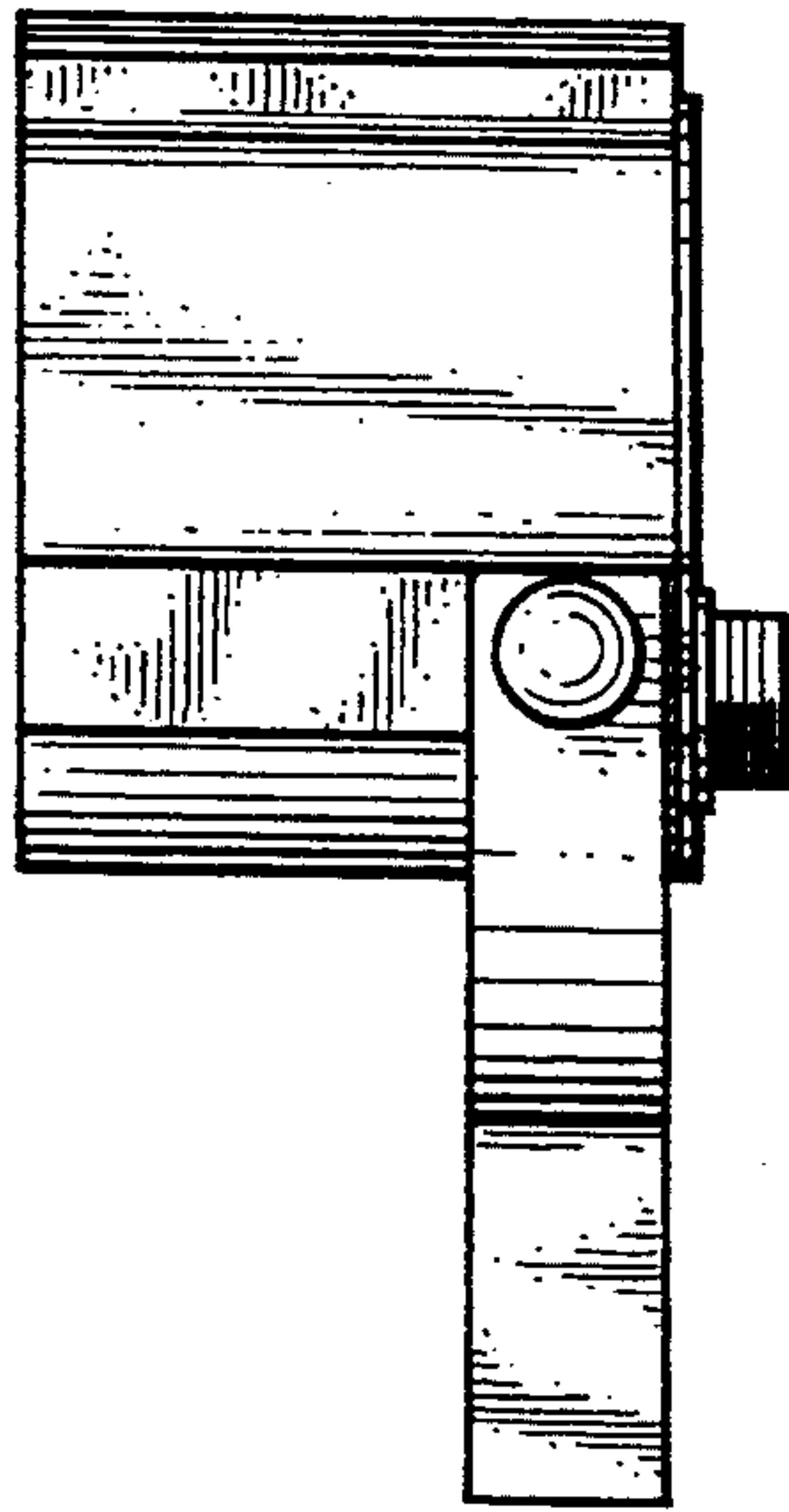


Fig. 3.

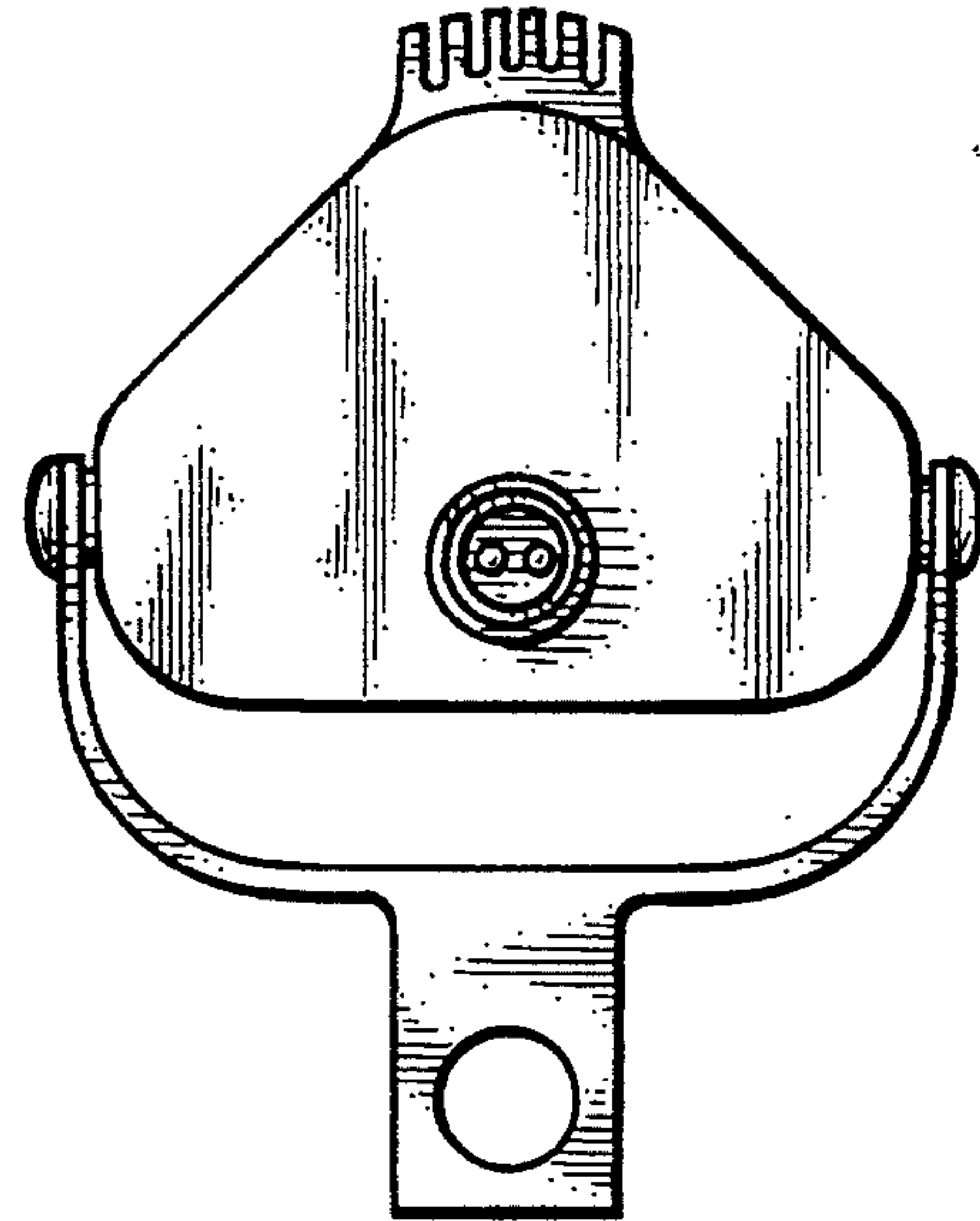


Fig. 4.

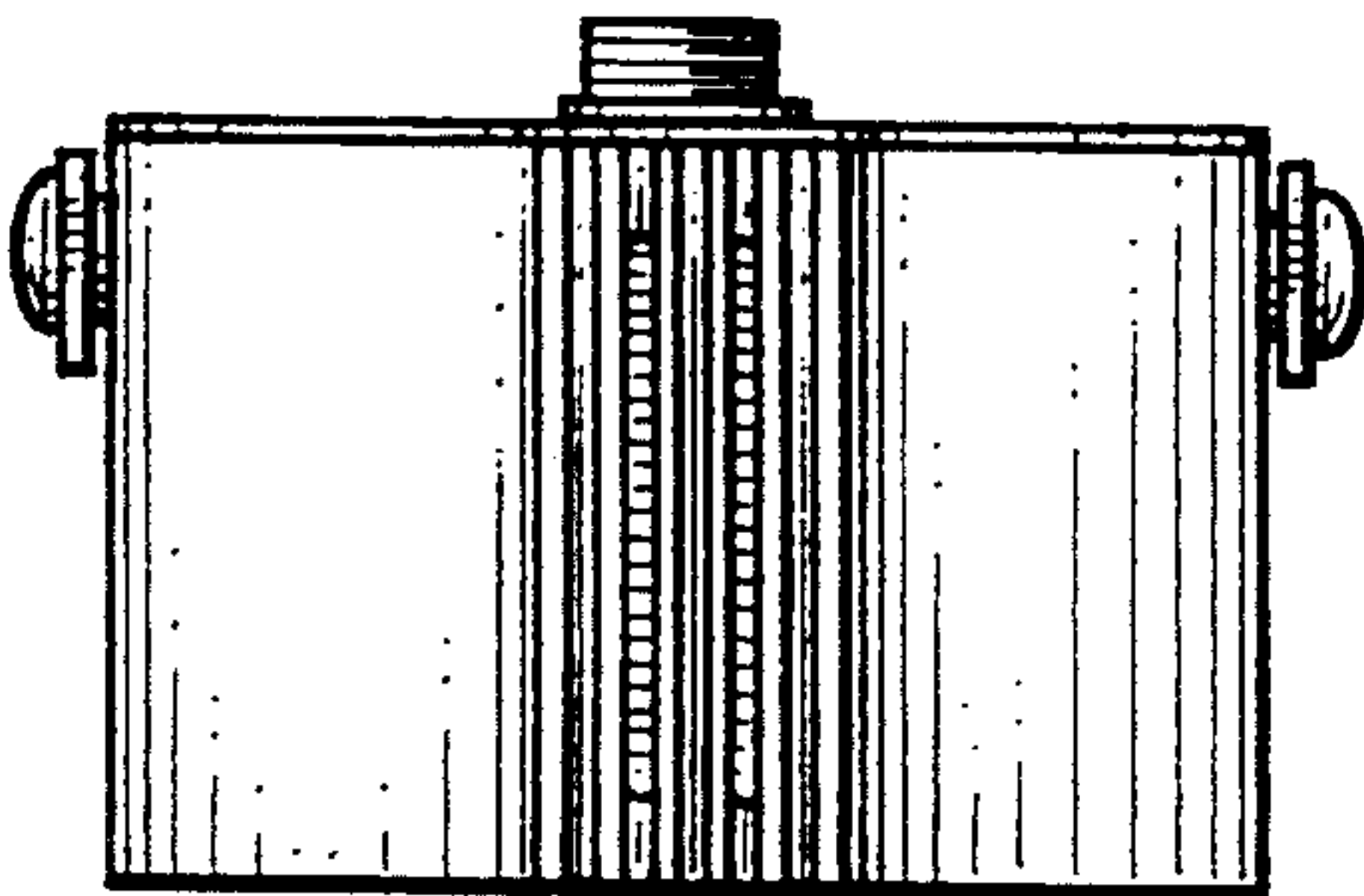


Fig. 5.

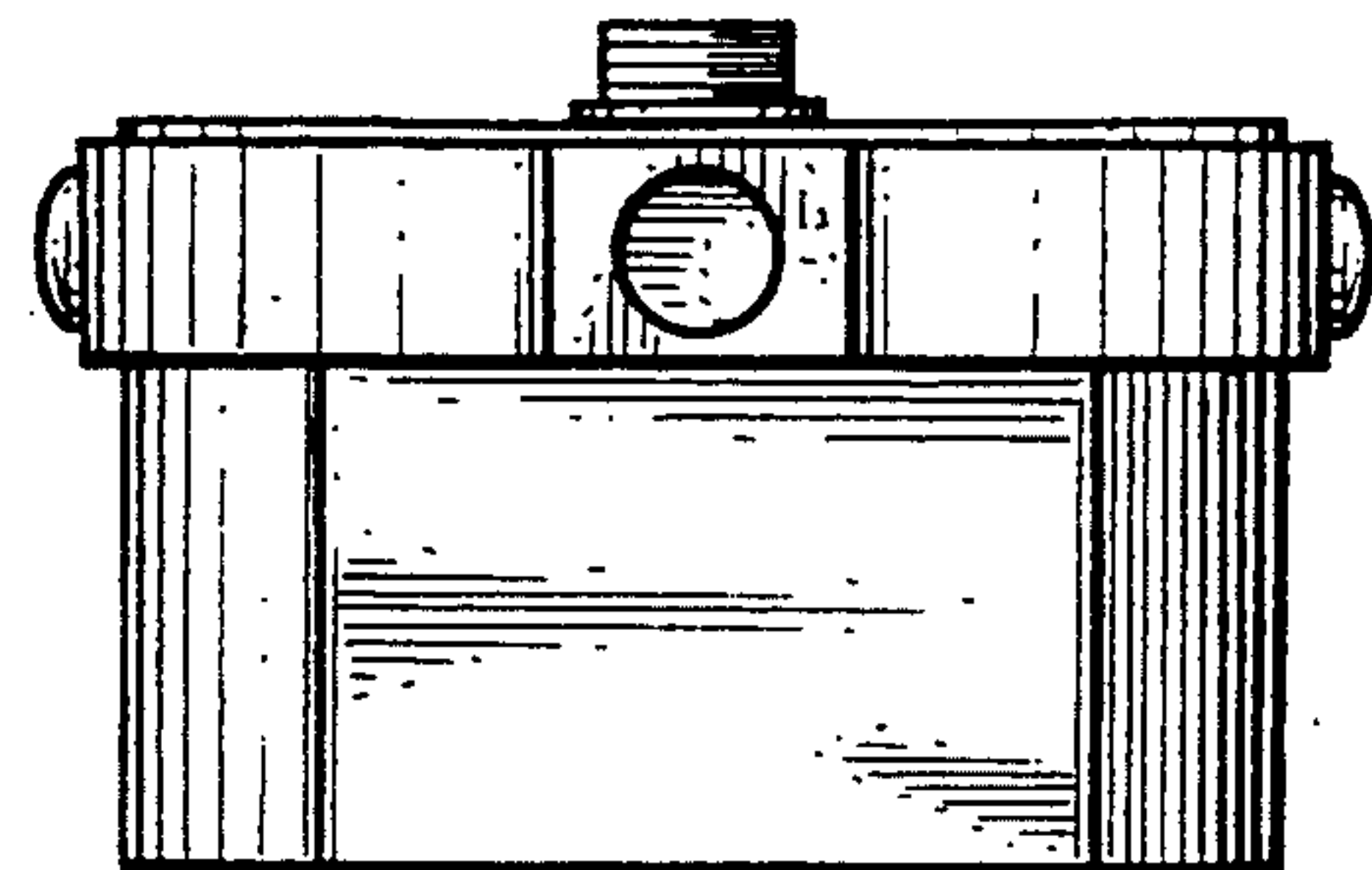


Fig. 6.