



US00D355041S

# United States Patent [19]

[11] Patent Number: **Des. 355,041**

Cham

[45] Date of Patent: **\*\* Jan. 31, 1995**

[54] **COMBINED ADJUSTABLE FLOODLIGHT AND SENSOR UNIT**

[75] Inventor: **Tako C. T. Cham**, Hong Kong, Hong Kong

[73] Assignee: **Original Marketing Services, Limited**, New Territories, Hong Kong

[\*\*] Term: **14 Years**

[21] Appl. No.: **900,713**

[22] Filed: **Jun. 18, 1992**

[30] **Foreign Application Priority Data**

Dec. 20, 1991 [GB] United Kingdom ..... 2109727

[52] U.S. Cl. .... **D26/63**

[58] Field of Search ..... **D26/60-65;**  
362/269, 275, 285, 418, 419, 427, 147

[56] **References Cited**

**U.S. PATENT DOCUMENTS**

D. 301,754 6/1989 DeCandia ..... D26/63  
D. 316,456 4/1991 DeCandia ..... D26/63

**OTHER PUBLICATIONS**

*Illuminating Engineering*, 2-1963, p. 63A, Quartz Floodlight.

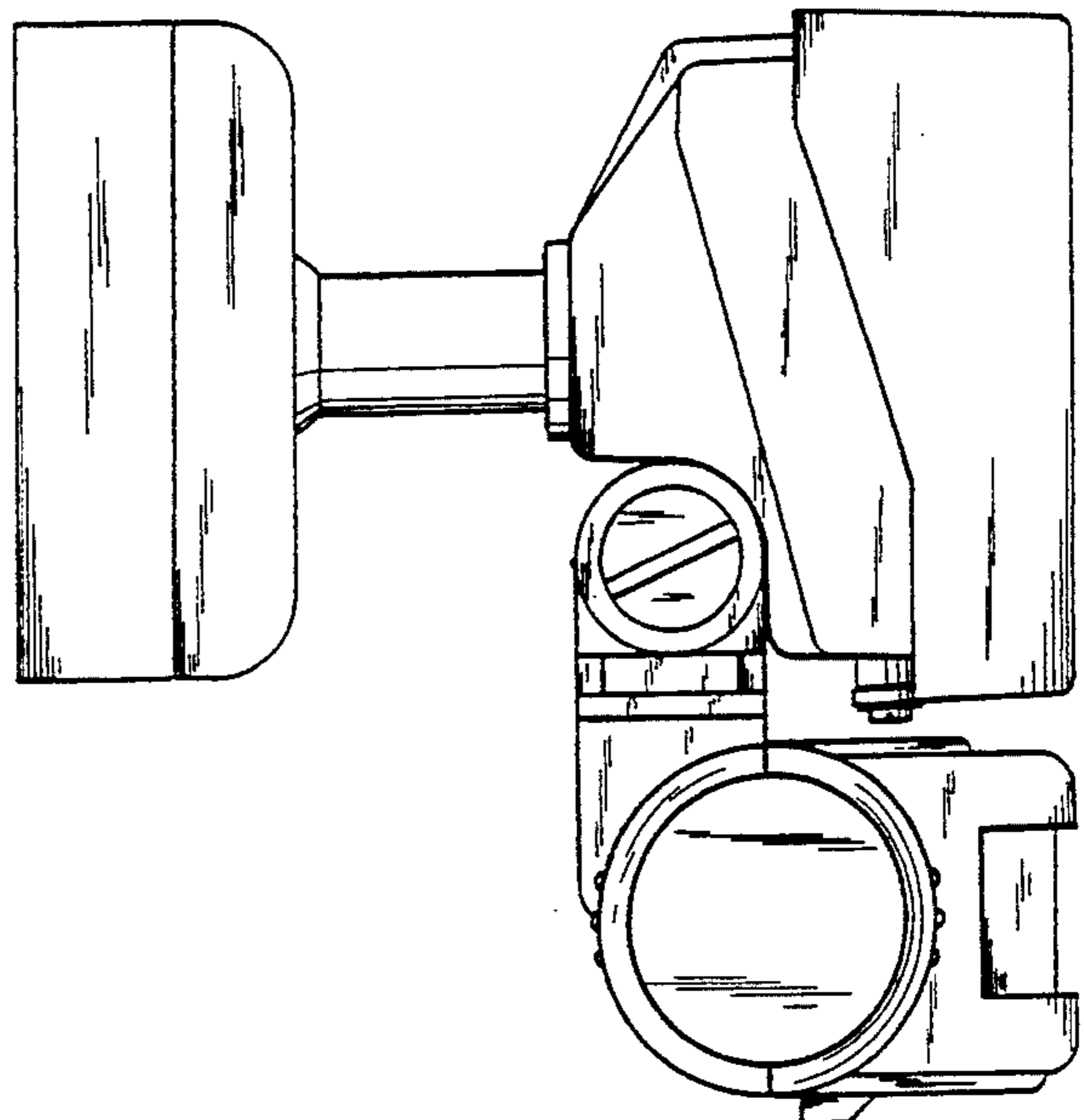
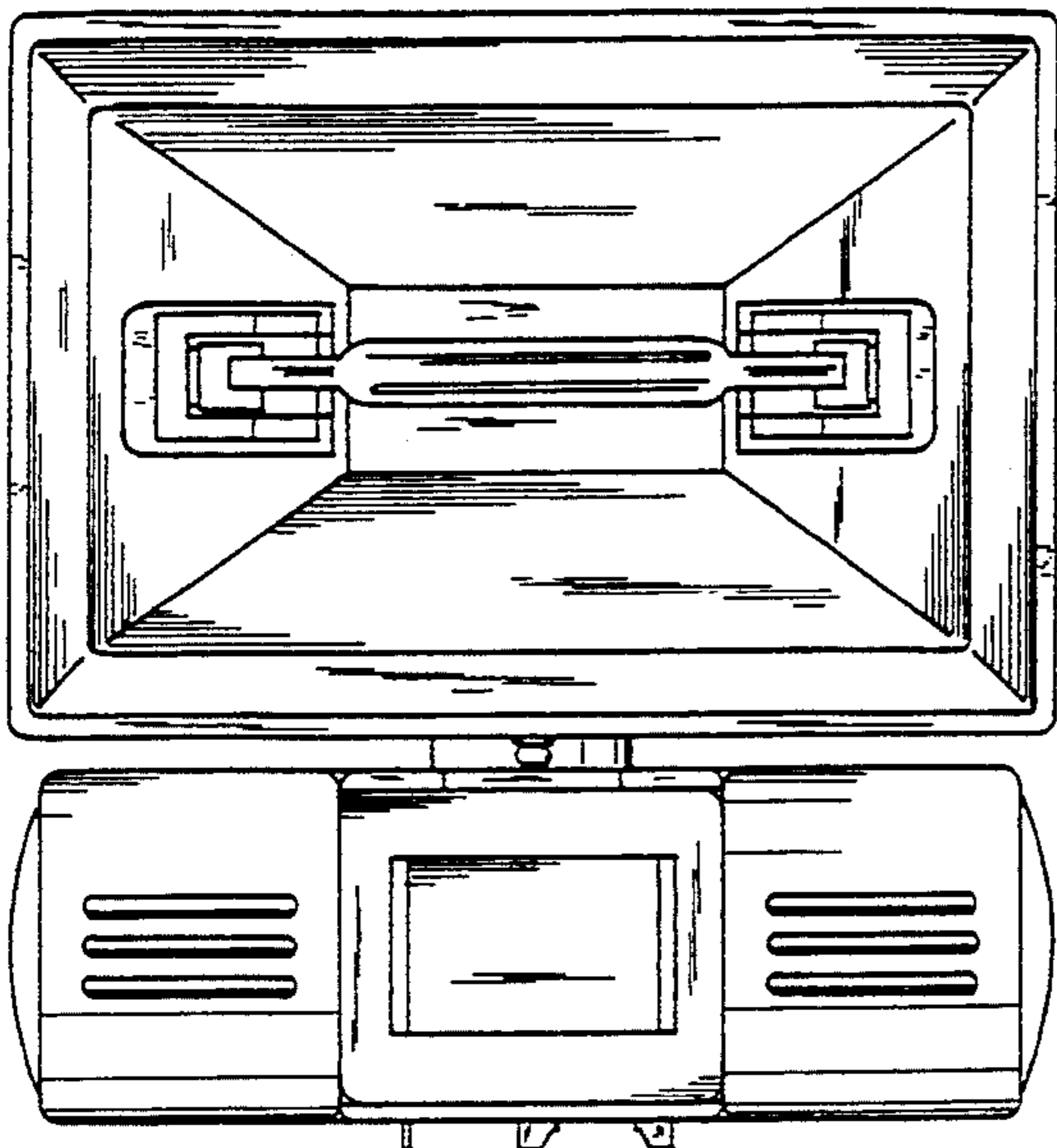
*Primary Examiner*—Susan J. Lucas  
*Attorney, Agent, or Firm*—Lowe, Price, LeBlanc & Becker

[57] **CLAIM**

The ornamental design for combined adjustable floodlight and sensor unit, as shown and described.

**DESCRIPTION**

FIG. 1 is a front view;  
FIG. 2 is a left side view;  
FIG. 3 is a right side view;  
FIG. 4 is a rear view;  
FIG. 5 is a top plan view;  
FIG. 6 is a underneath view;  
FIG. 7 is a left side view showing the floodlight and sensor unit in a different position;  
FIG. 8 is a underneath view showing the sensor unit in a different position;  
FIG. 9 is a underneath view showing the sensor unit in another different position; and,  
FIG. 10 is a left side view showing the sensor unit in yet another different position.



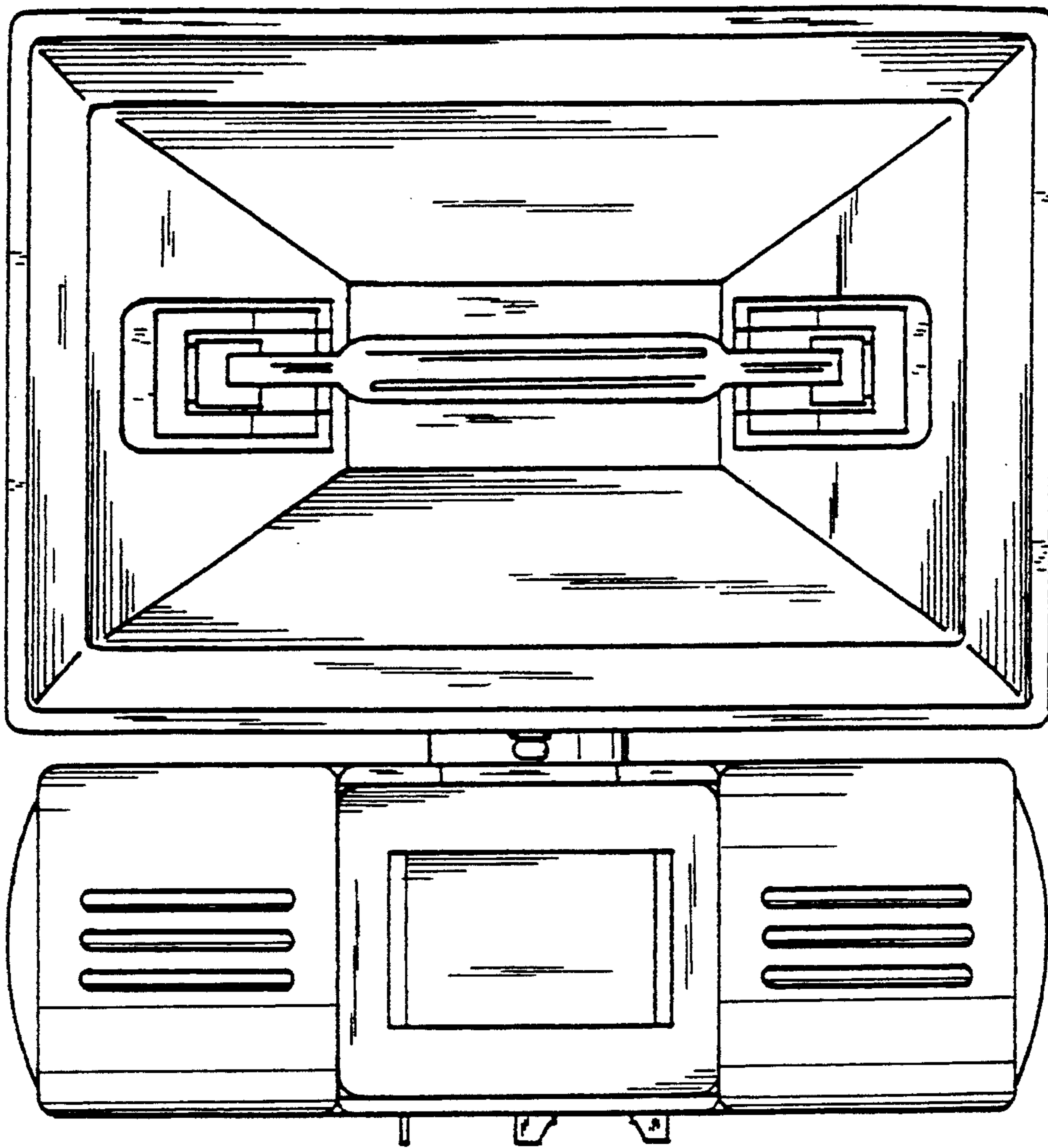


FIG. 1

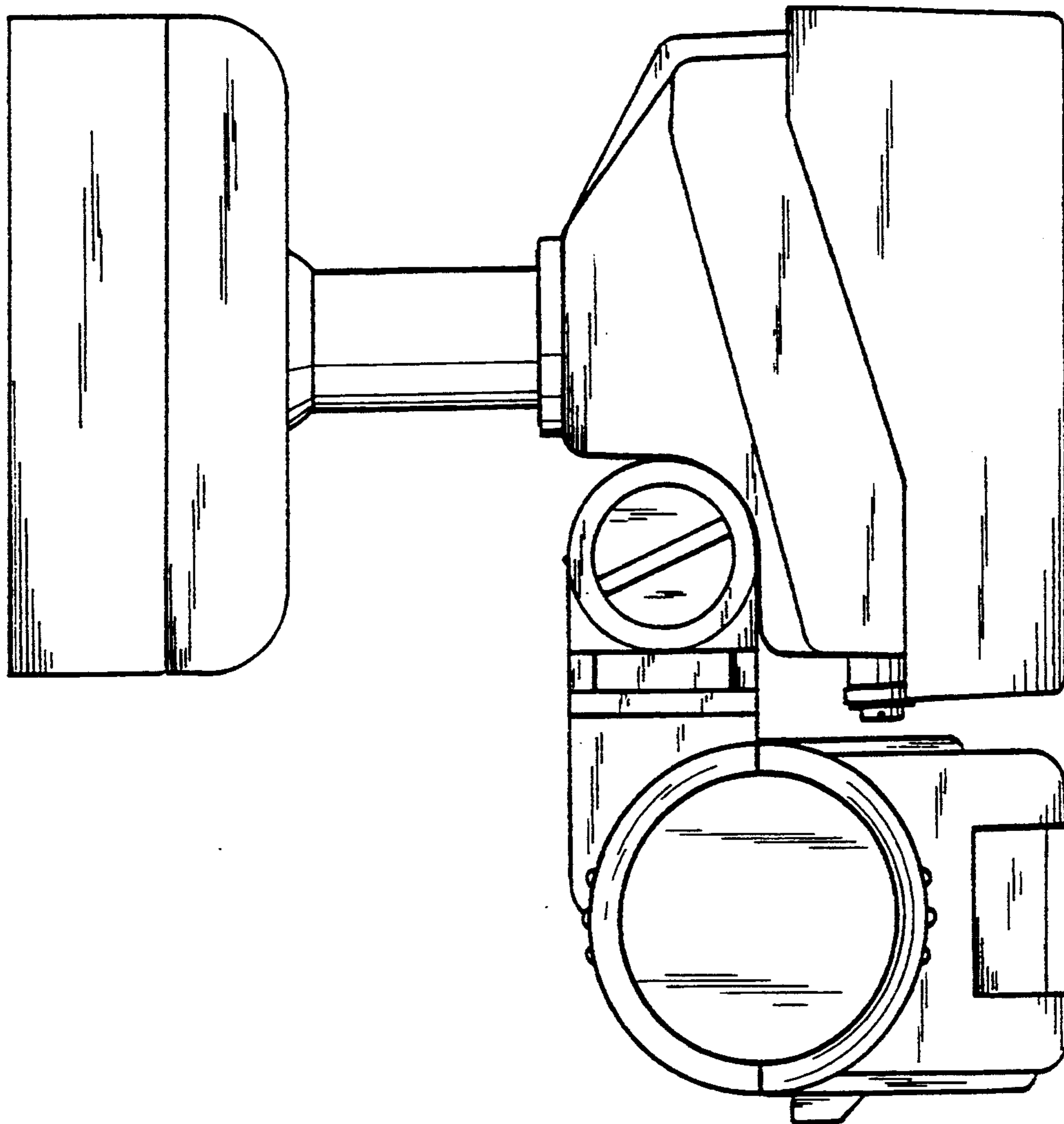


FIG. 2

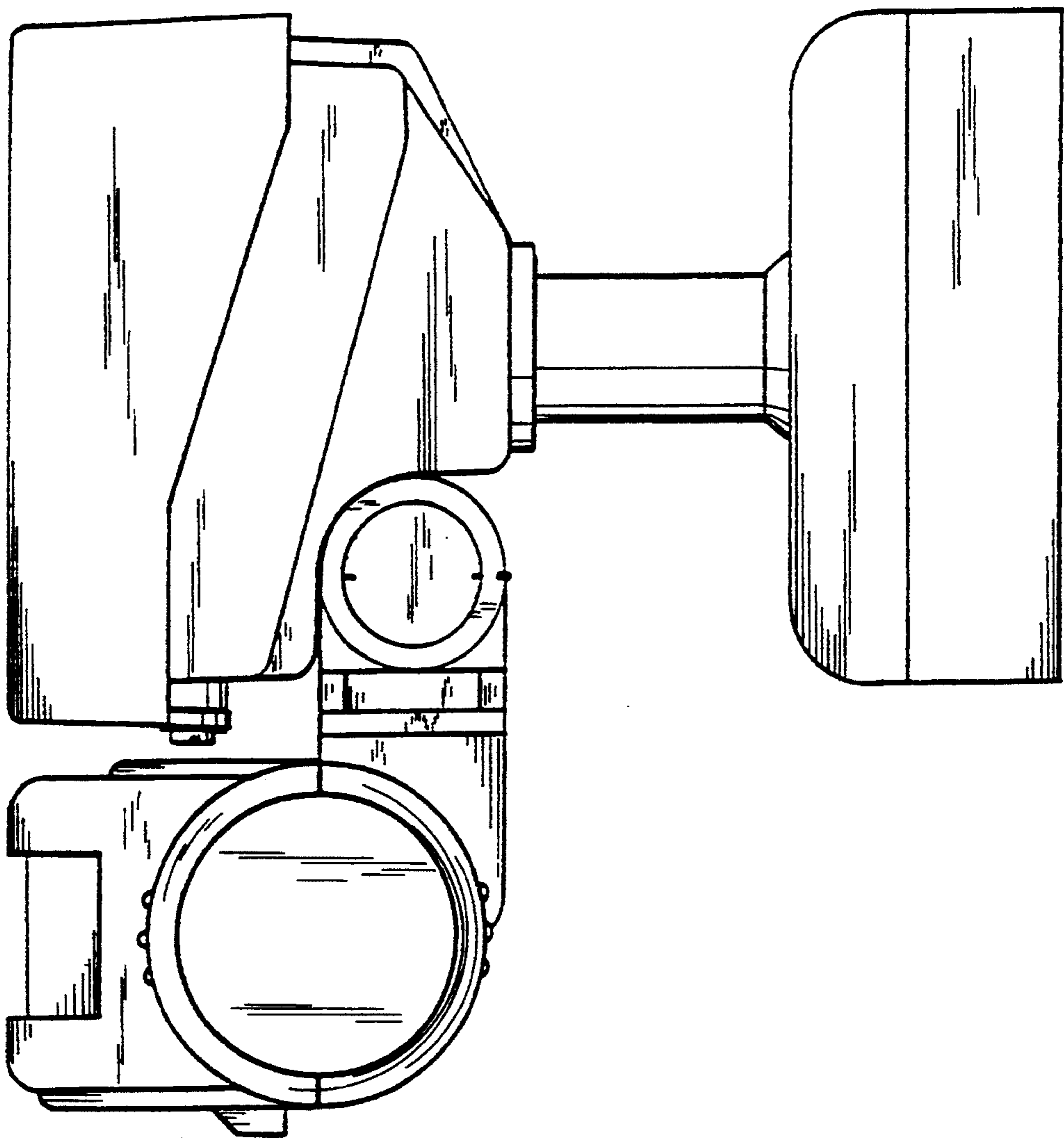


FIG. 3

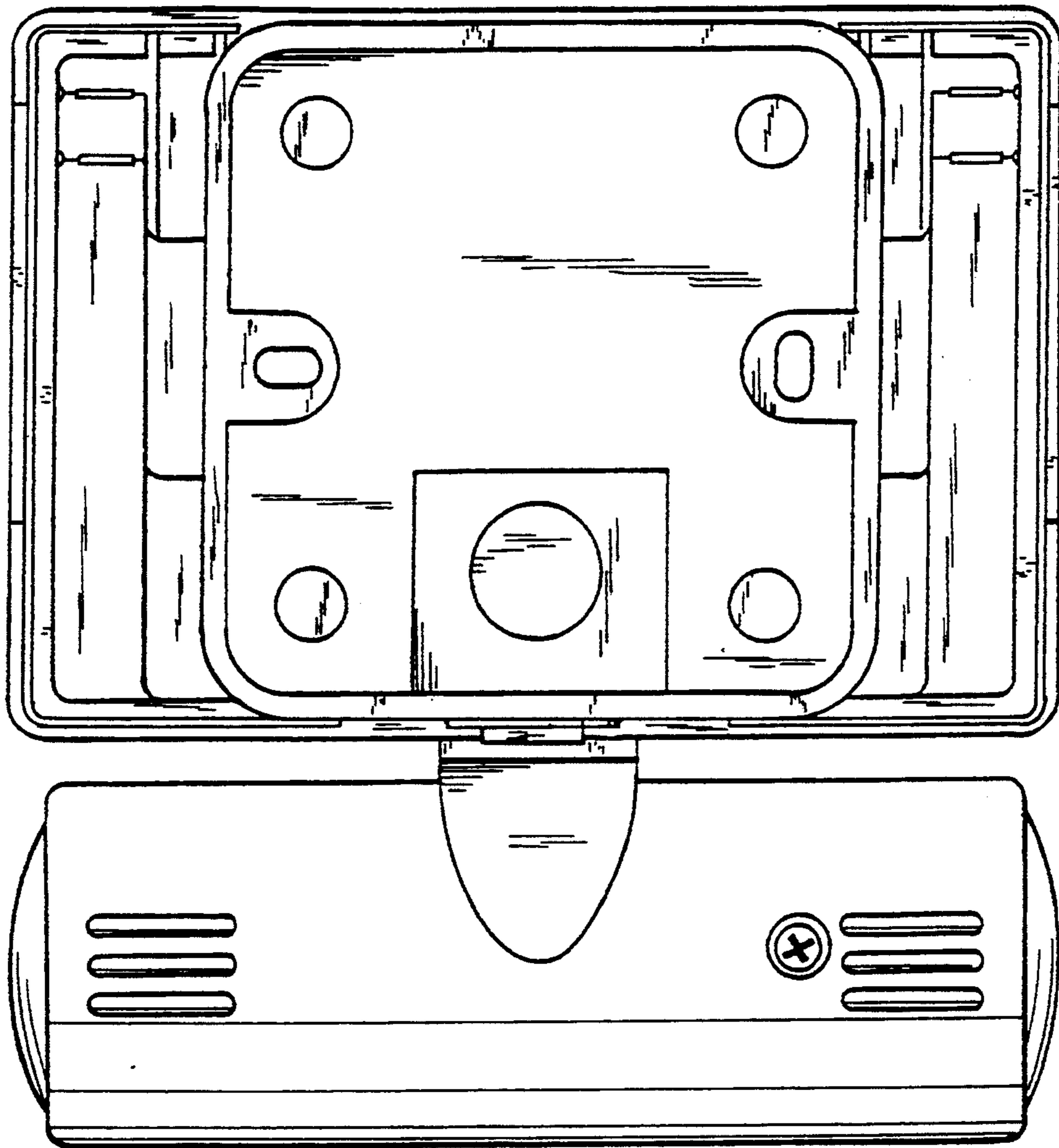


FIG. 4



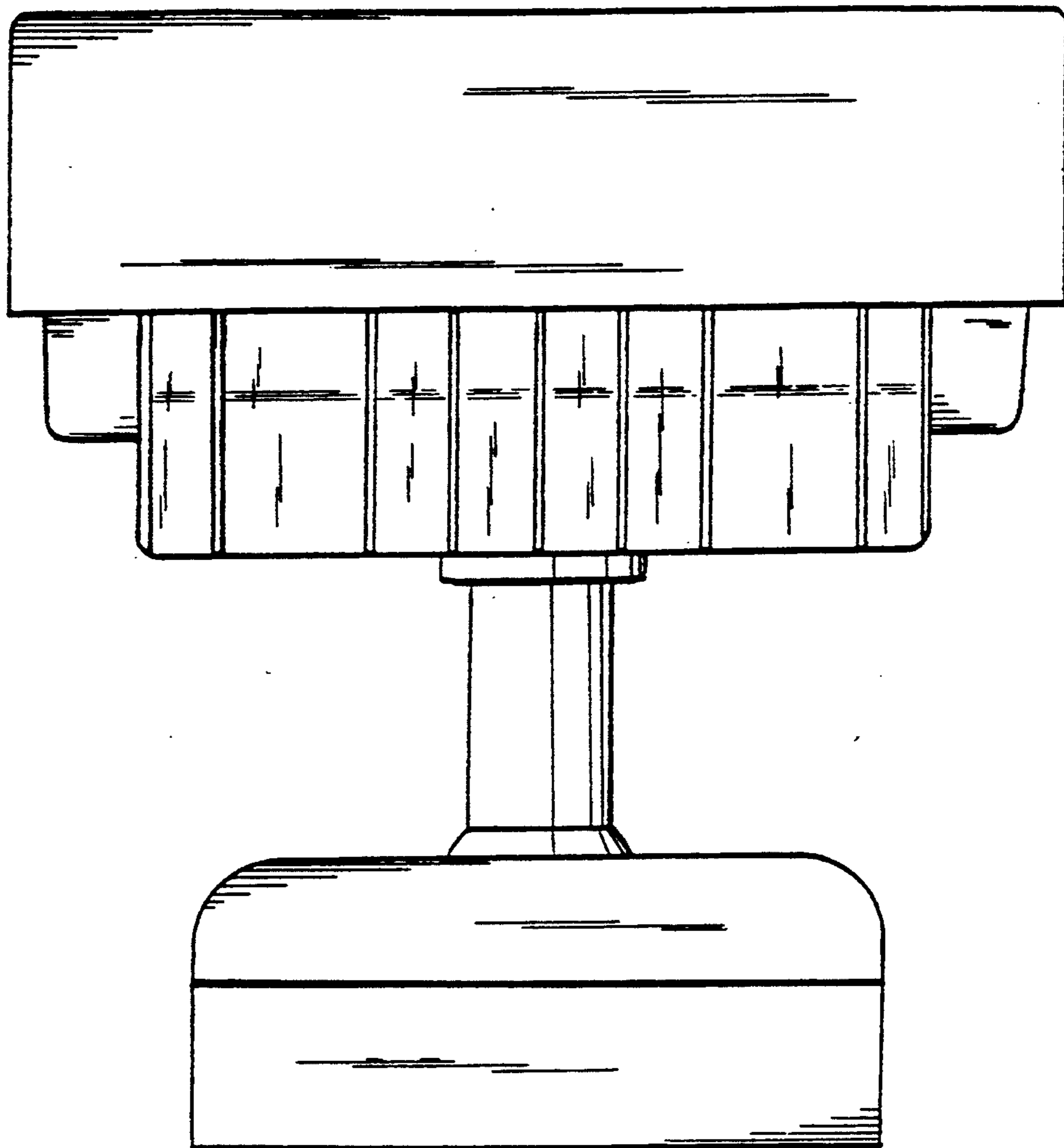


FIG. 5

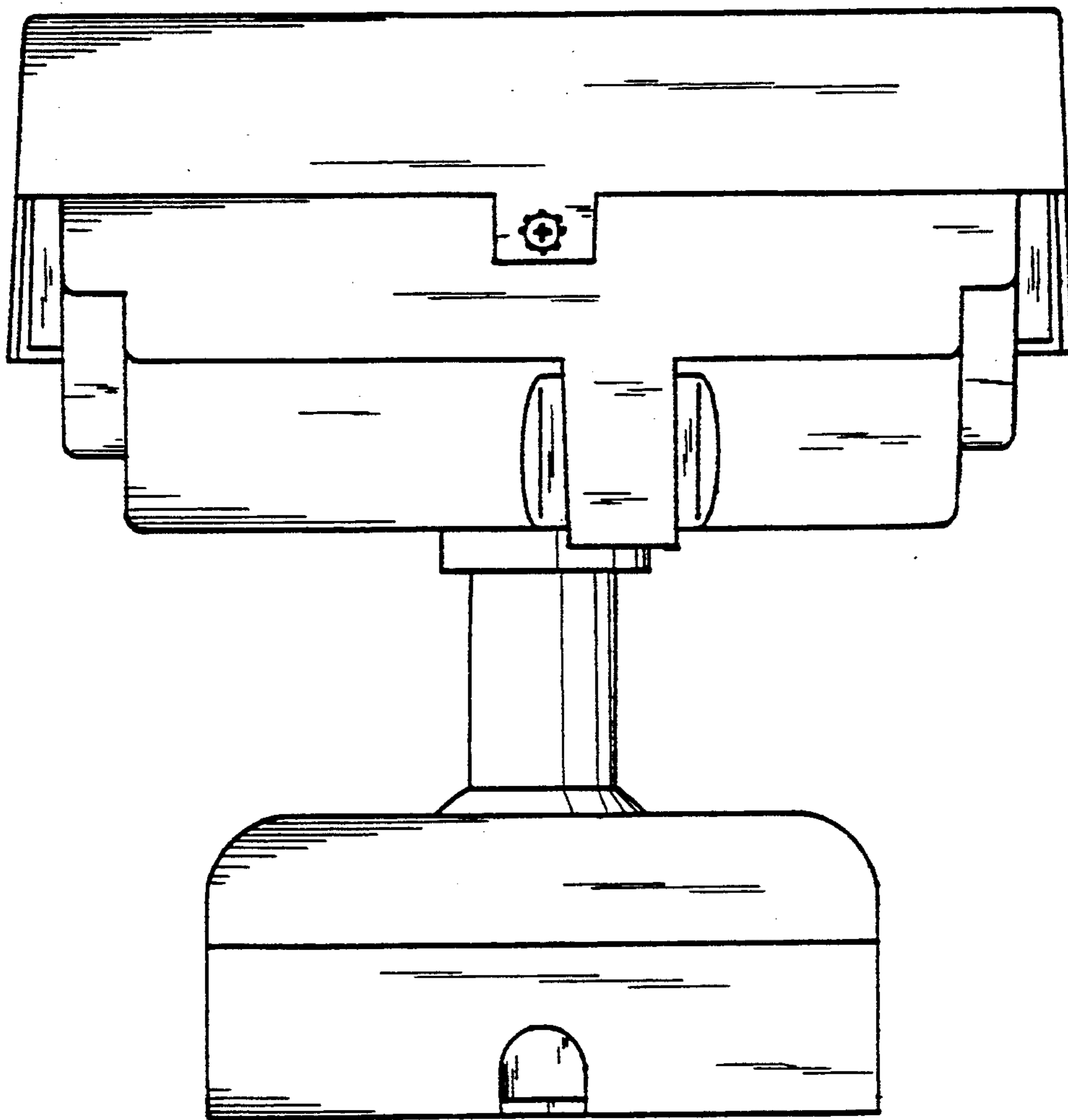


FIG. 6

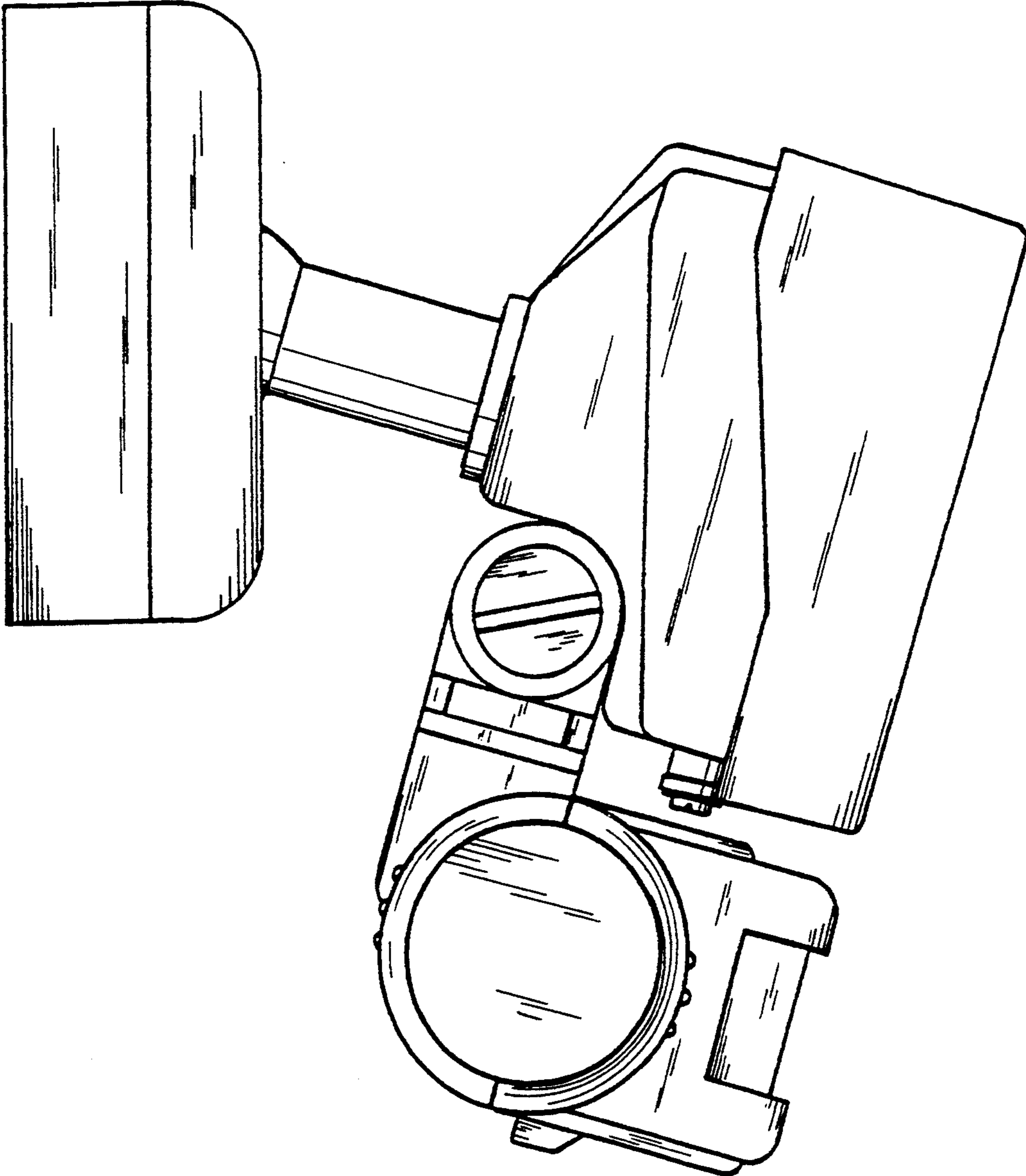


FIG. 7



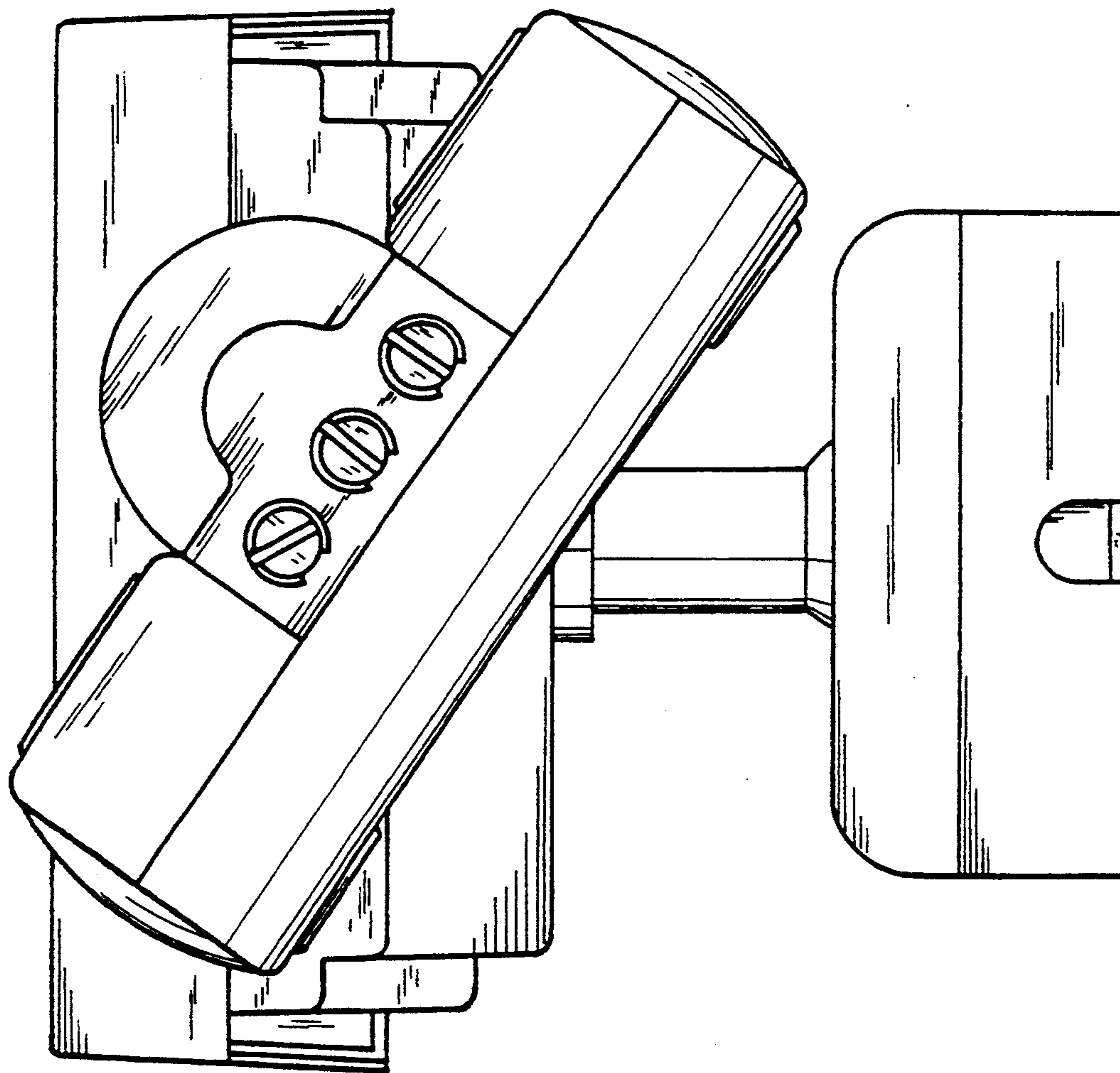


FIG. 8

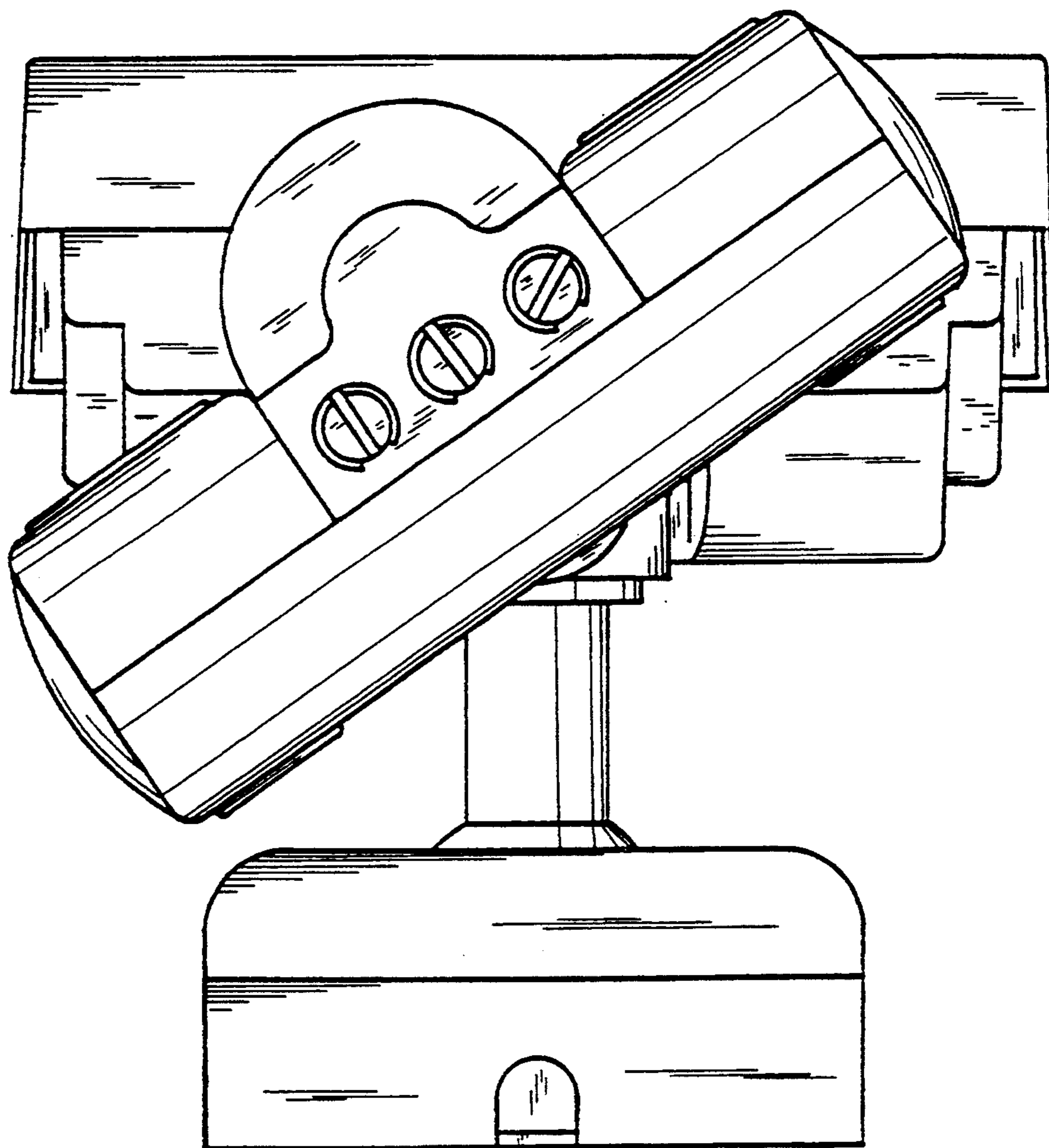


FIG. 9

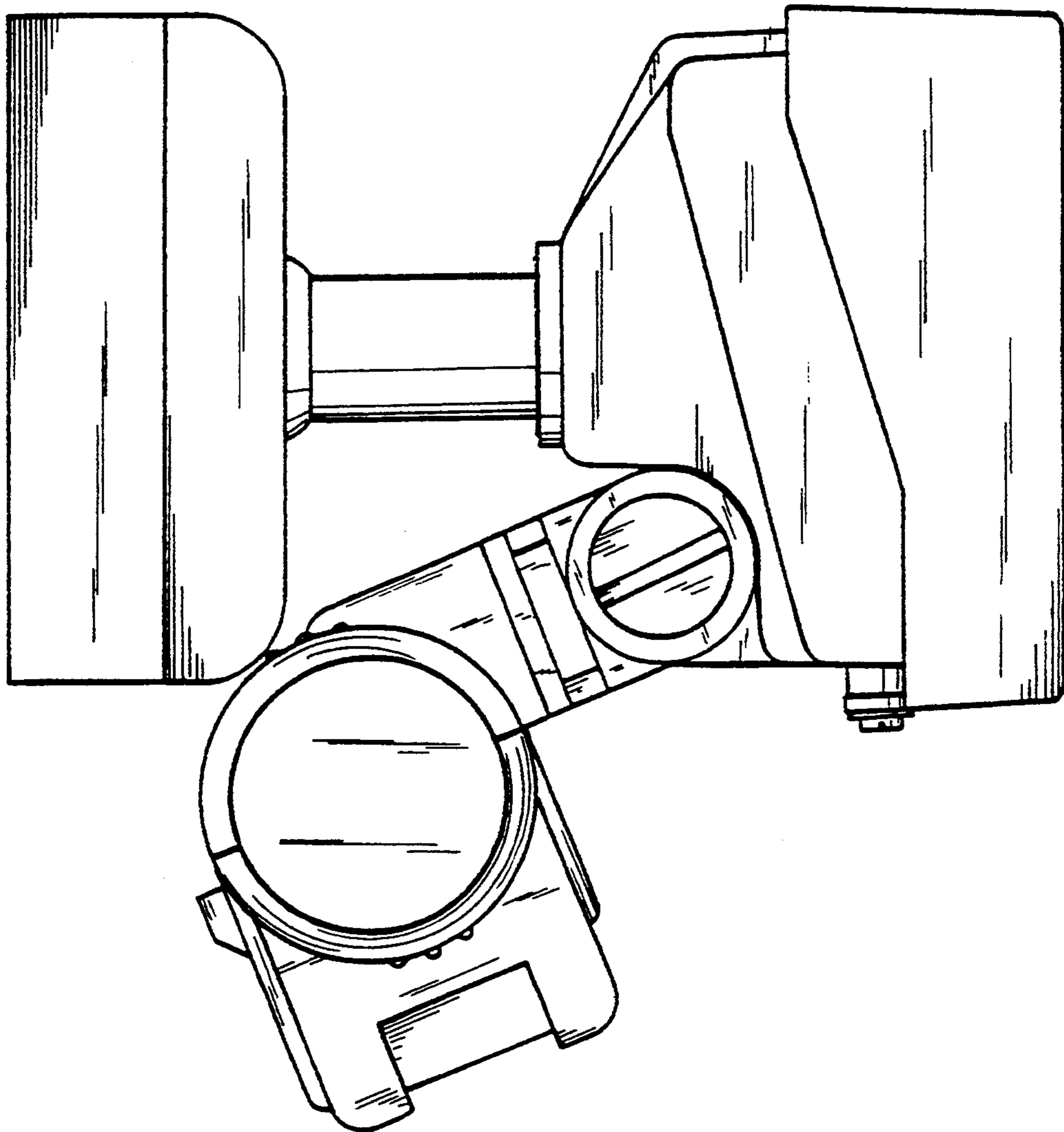


FIG. 10