



US00D355039S

United States Patent [19]

[11] Patent Number: **Des. 355,039**

Winick

[45] Date of Patent: **** Jan. 31, 1995**

[54] **LIGHT GRILL**

[76] Inventor: **Jerome Winick**, 10206 Cielo Dr., Beverly Hills, Calif. 90210

[**] Term: **14 Years**

[21] Appl. No.: **19,071**

[22] Filed: **Feb. 22, 1994**

[52] U.S. Cl. **D26/139**

[58] Field of Search **D26/28-35, D26/139; 362/61, 80, 80.1, 81, 82, 83, 83.2, 83.3, 376, 325, 342, 344, 290, 364**

[56] **References Cited**

U.S. PATENT DOCUMENTS

D. 288,008	1/1987	McMahon	D26/139
D. 316,461	4/1991	McGlothlin	D26/139
D. 318,537	2/1991	Allman	D26/139
3,818,211	6/1974	Wilfert	362/376

Primary Examiner—Wallace R. Burke

Assistant Examiner—Marcus Jackson
Attorney, Agent, or Firm—Blakely, Sokoloff, Taylor & Zafman

[57] **CLAIM**

The ornamental design for a light grill, as shown and described.

DESCRIPTION

FIG. 1 is a perspective view of a light grill showing my new design, with the broken line showing for illustrative purposes only and forming no part of the claimed design;

FIG. 2 is a front left perspective view of the light grill;

FIG. 3 is a left side elevational view of the light grill;

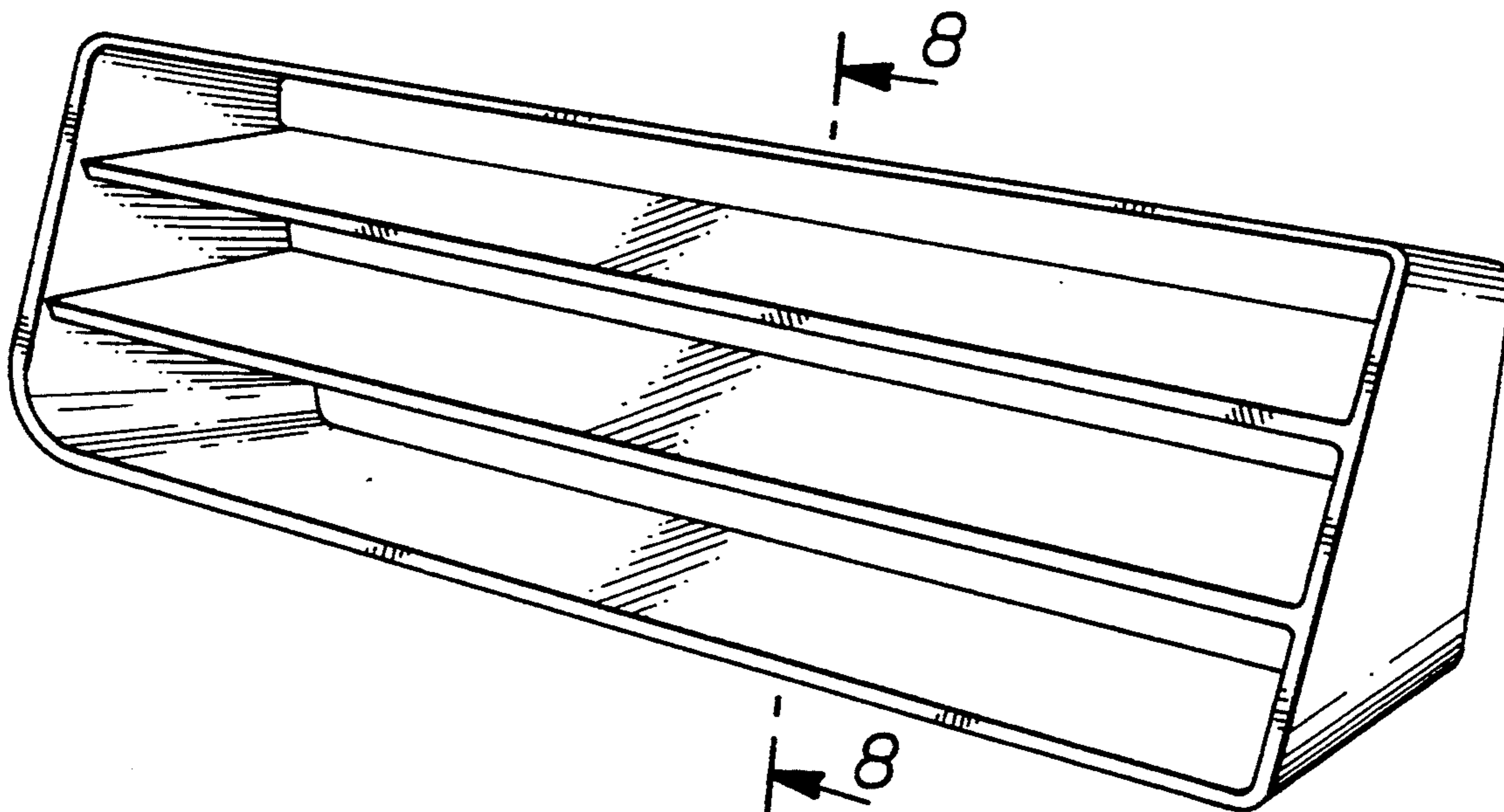
FIG. 4 is a rear elevational view of the light grill;

FIG. 5 is a bottom plan view of the light grill;

FIG. 6 is a top plan view of the light grill;

FIG. 7 is a front elevational view of the light grill; and,

FIG. 8 is a cross-section taken along line 8—8 of FIG. 2.



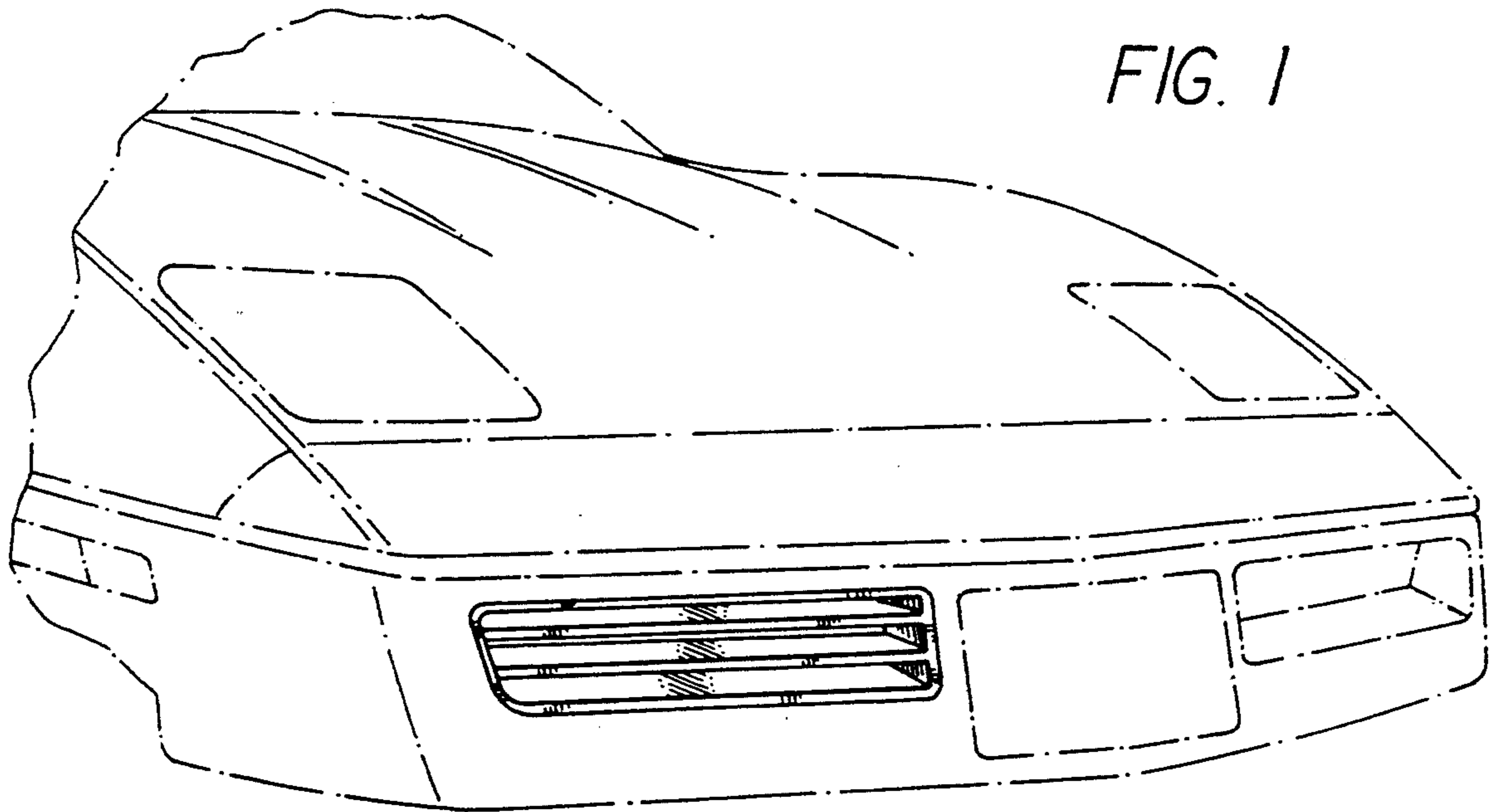


FIG. 1

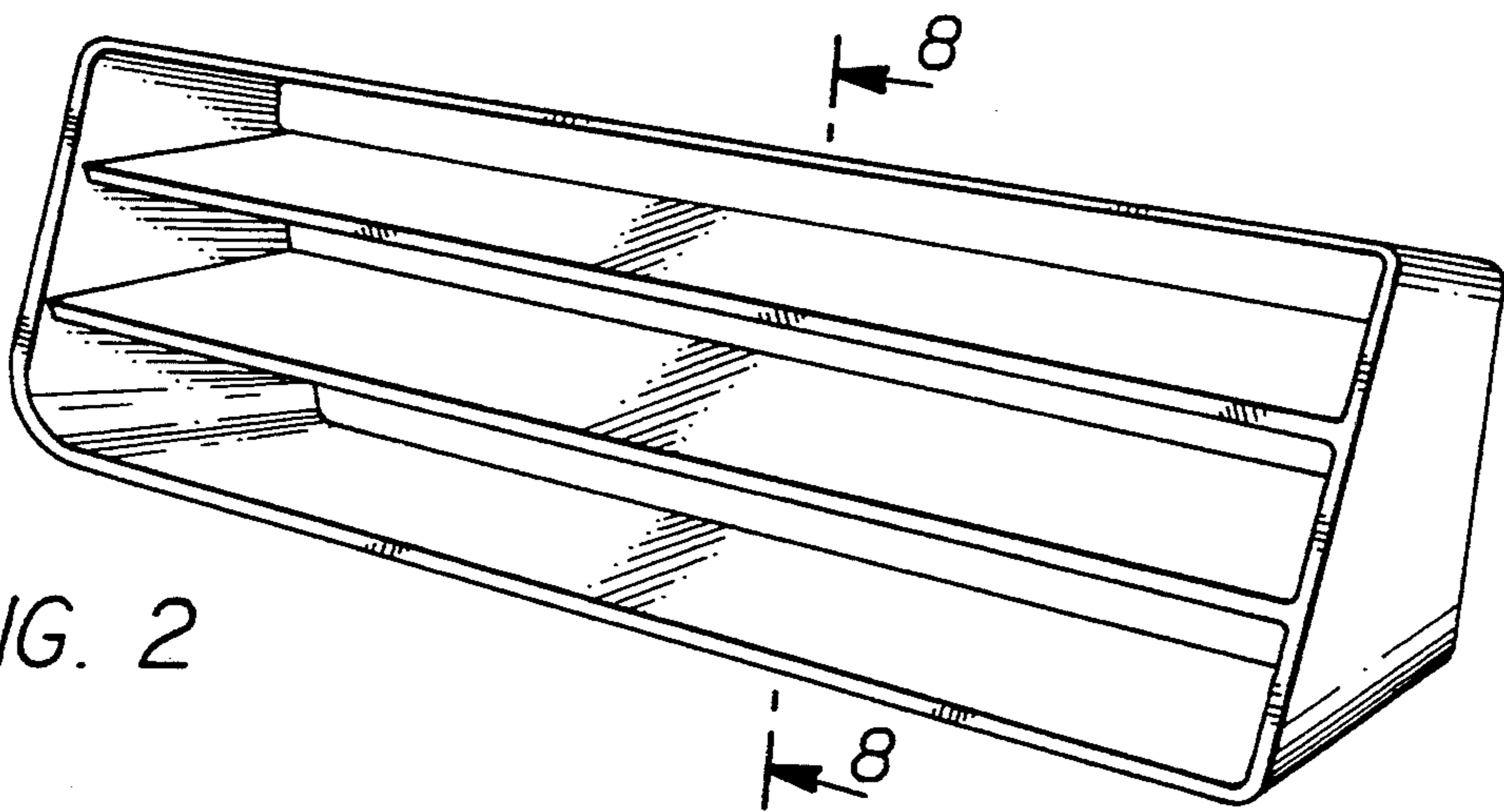


FIG. 2

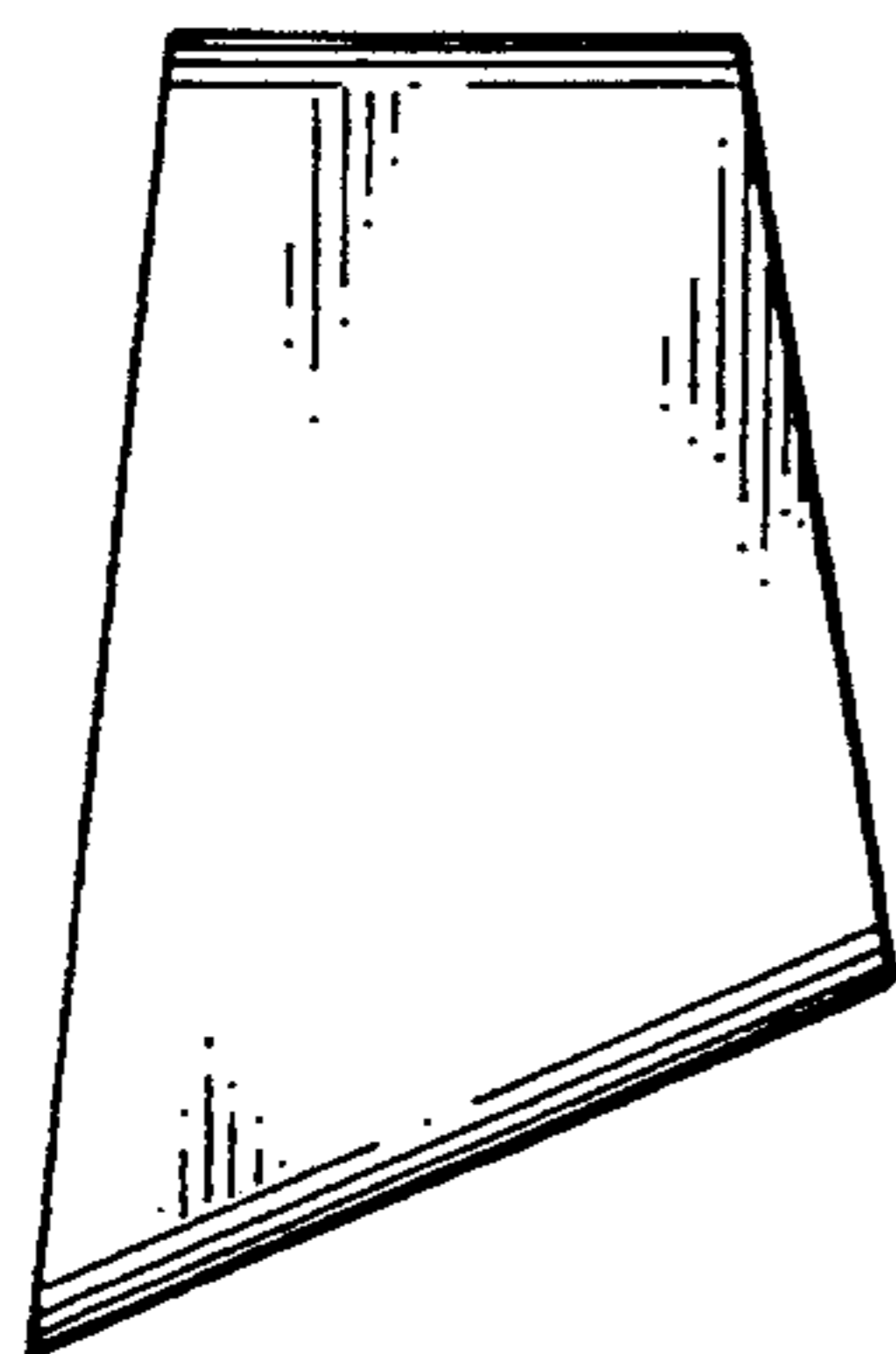


FIG. 3

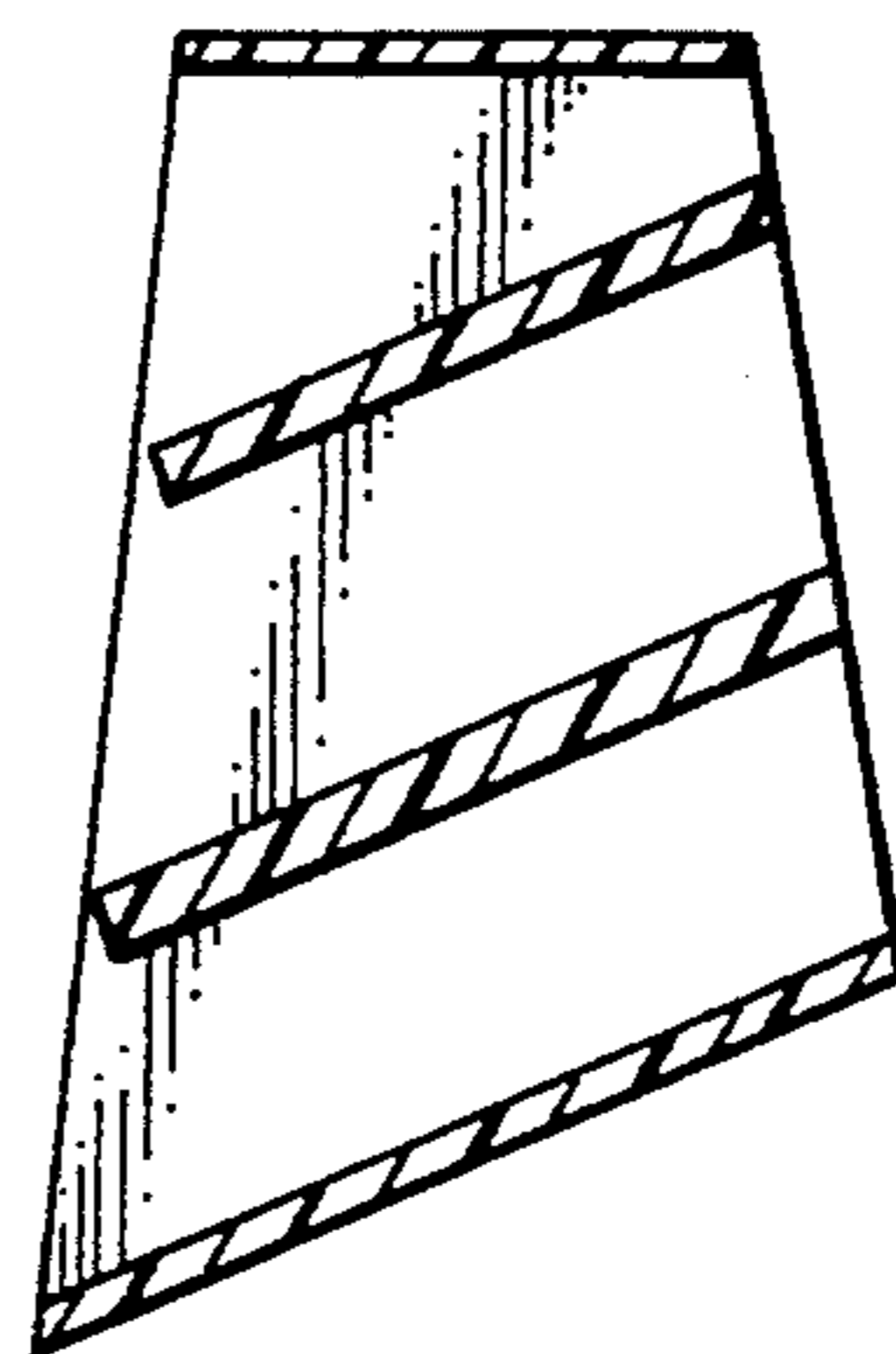


FIG. 8

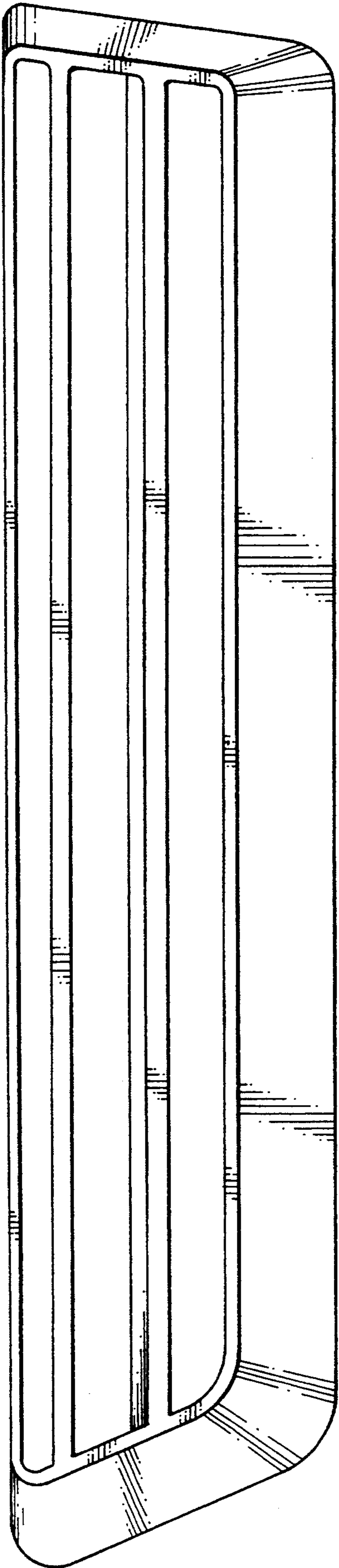


FIG. 4

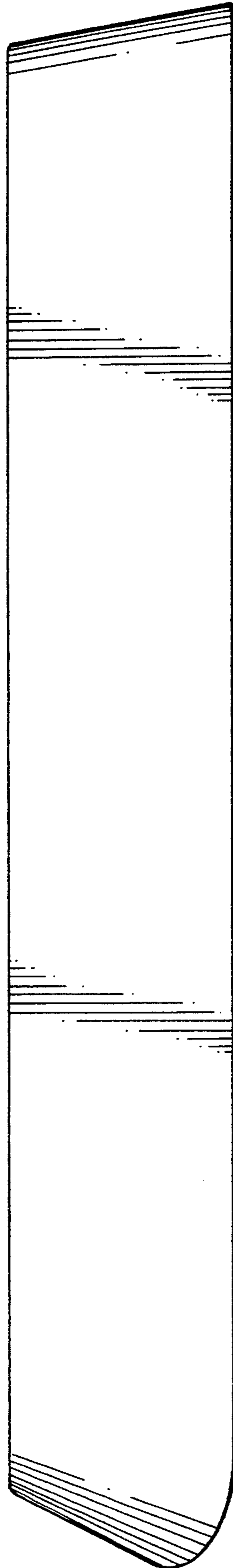


FIG. 5

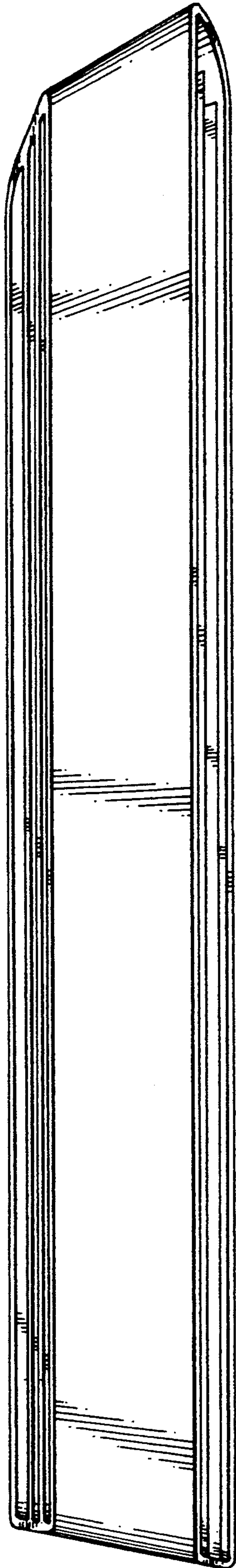


FIG. 6

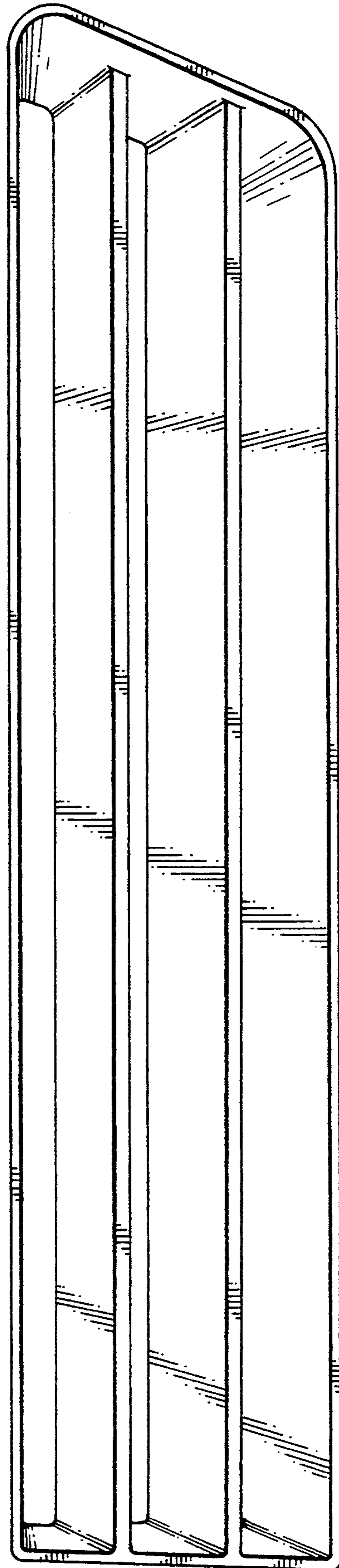


FIG. 7