



US00D355033S

United States Patent [19]

[11] Patent Number: **Des. 355,033**

Lee

[45] Date of Patent: **** Jan. 31, 1995**

[54] **INFLATABLE TRAVEL BACK SUPPORT**

4,634,176 1/1987 Scott .
4,702,235 10/1987 Hone 602/13
5,267,947 12/1993 James et al. 602/19

[76] Inventor: **Henry W. Lee, 7 Wasrwick Ave.,
Scarsdale, N.Y. 10583**

Primary Examiner—Stella Reid
Attorney, Agent, or Firm—Terry M. Gernstein

[**] Term: **14 Years**

[57] **CLAIM**

[21] Appl. No.: **9,558**

The ornamental design for an inflatable travel back support, as shown and described.

[22] Filed: **Jun. 18, 1993**

[52] U.S. Cl. **D24/190**

[58] Field of Search **D24/190; 602/13;
297/284.4, 284.5, 284.6, 230.1; D6/604**

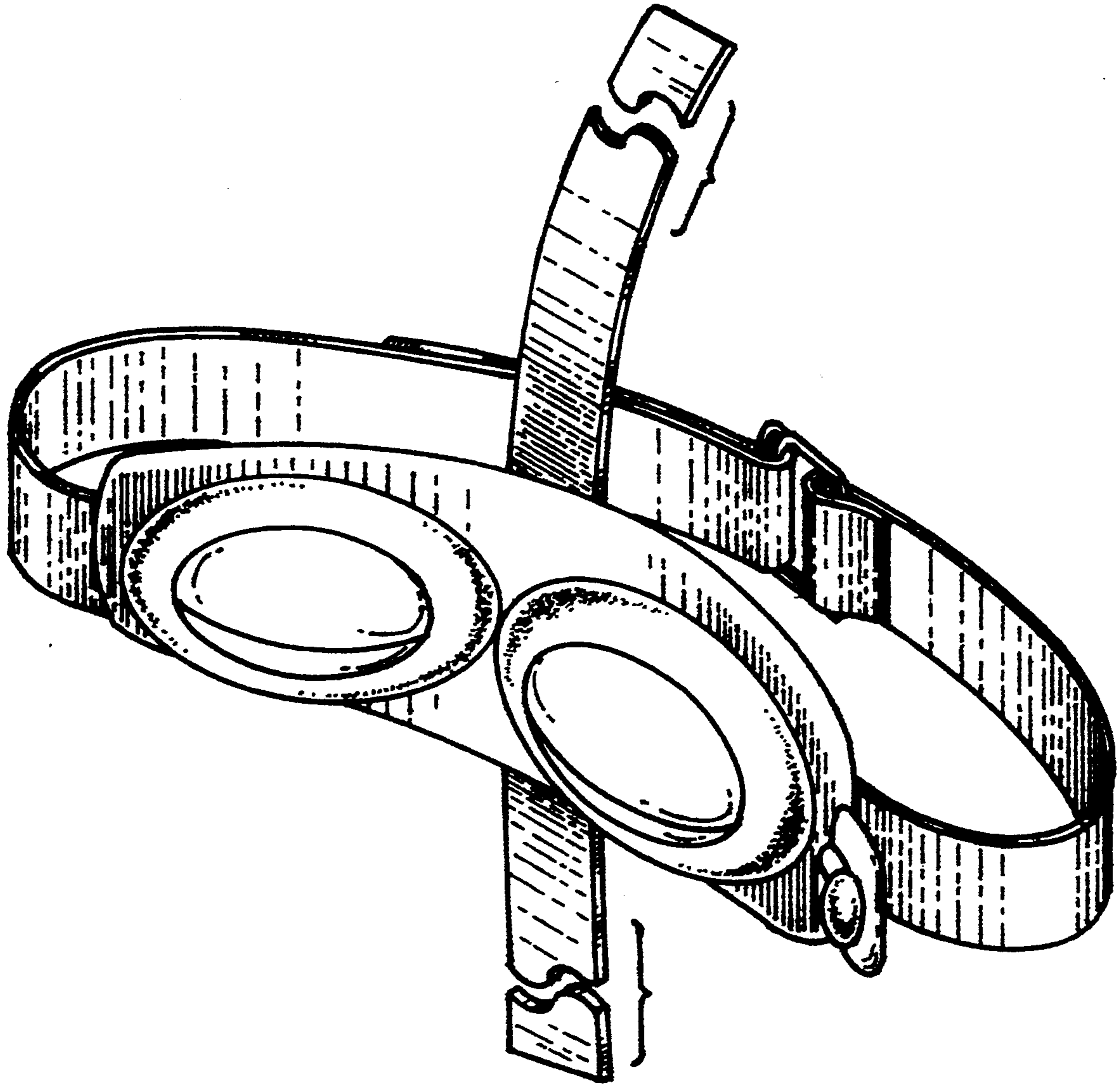
DESCRIPTION

[56] **References Cited**

U.S. PATENT DOCUMENTS

D. 253,790 12/1979 Grube D24/215
D. 277,917 3/1985 Slakman D6/604
4,190,286 2/1980 Bentley .
4,471,993 9/1984 Watson .

FIG. 1 is a front, top and side perspective view of the inflatable travel back support showing my new design; FIG. 2 is a front elevational view thereof; FIG. 3 is a rear elevational view thereof; FIG. 4 is a side elevational view thereof; FIG. 5 is a side elevational view thereof; FIG. 6 is a top plan view thereof; and, FIG. 7 is a bottom plan view thereof.



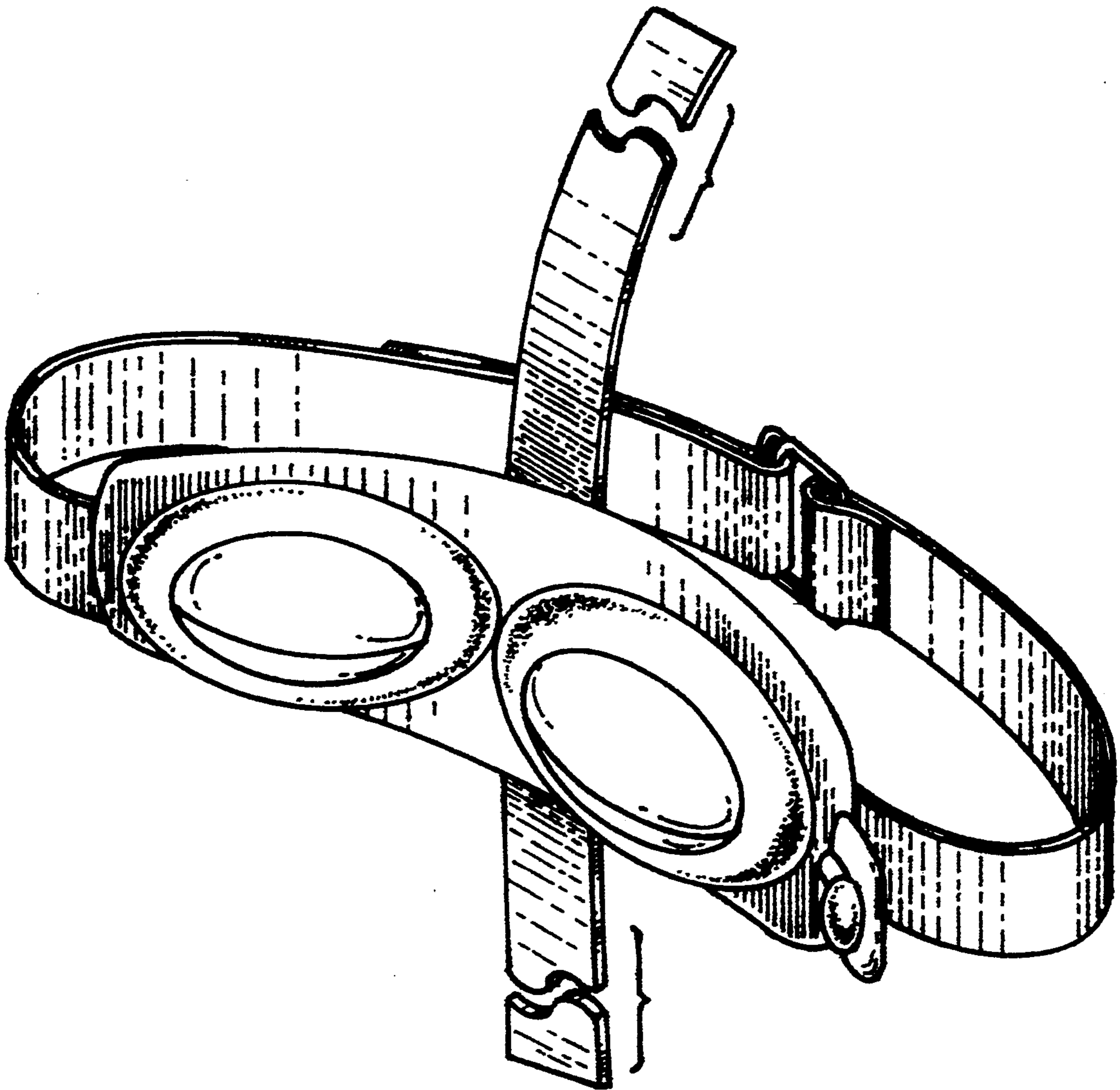
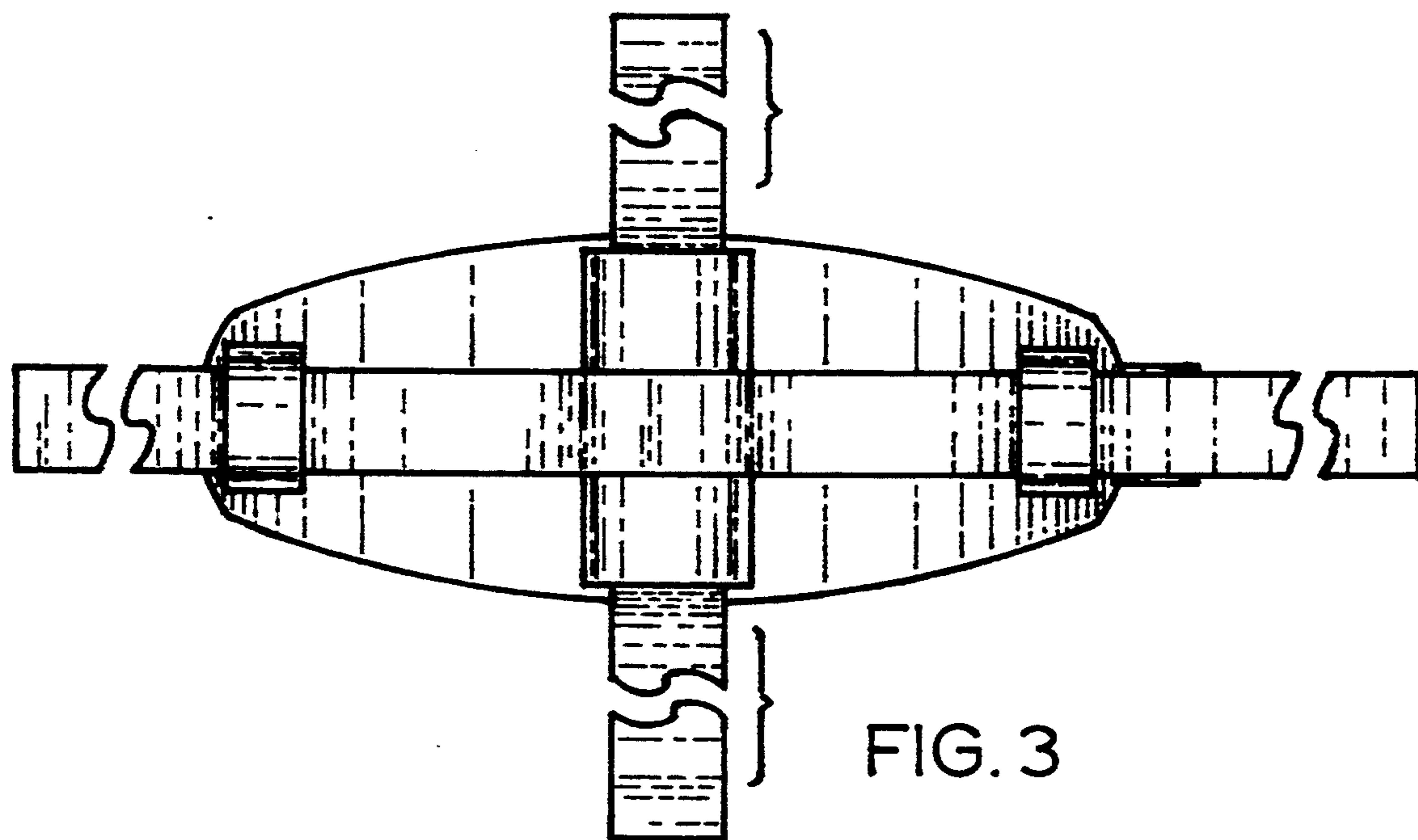
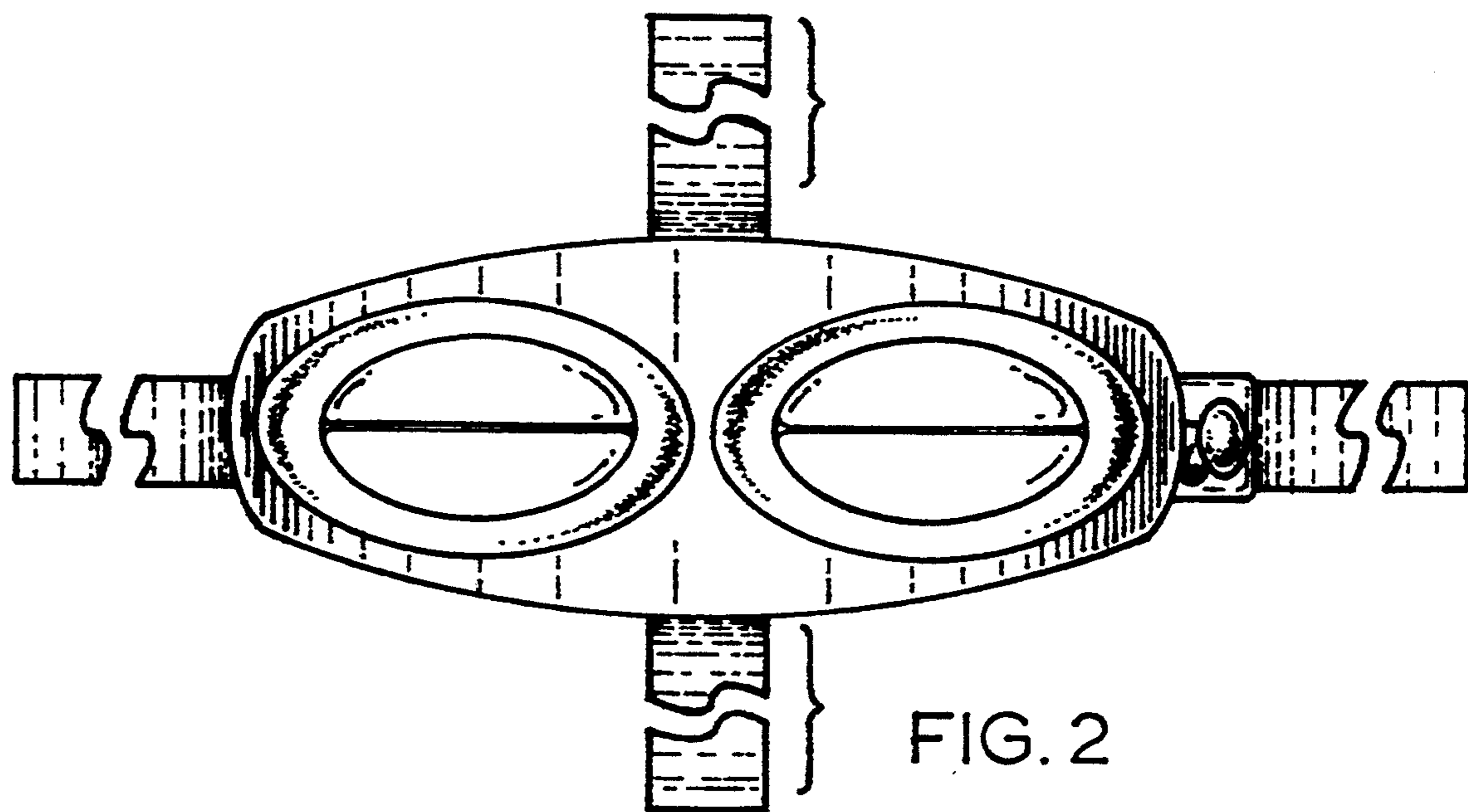


FIG. 1



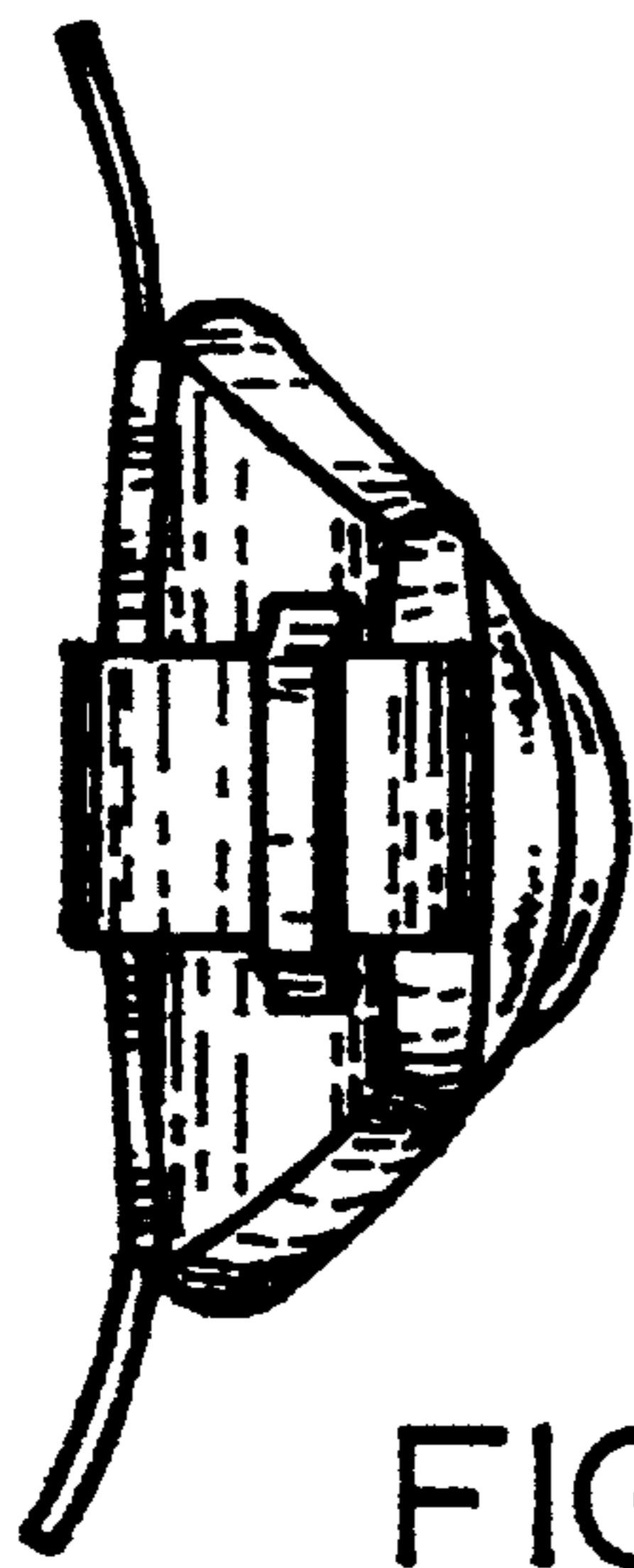


FIG. 4

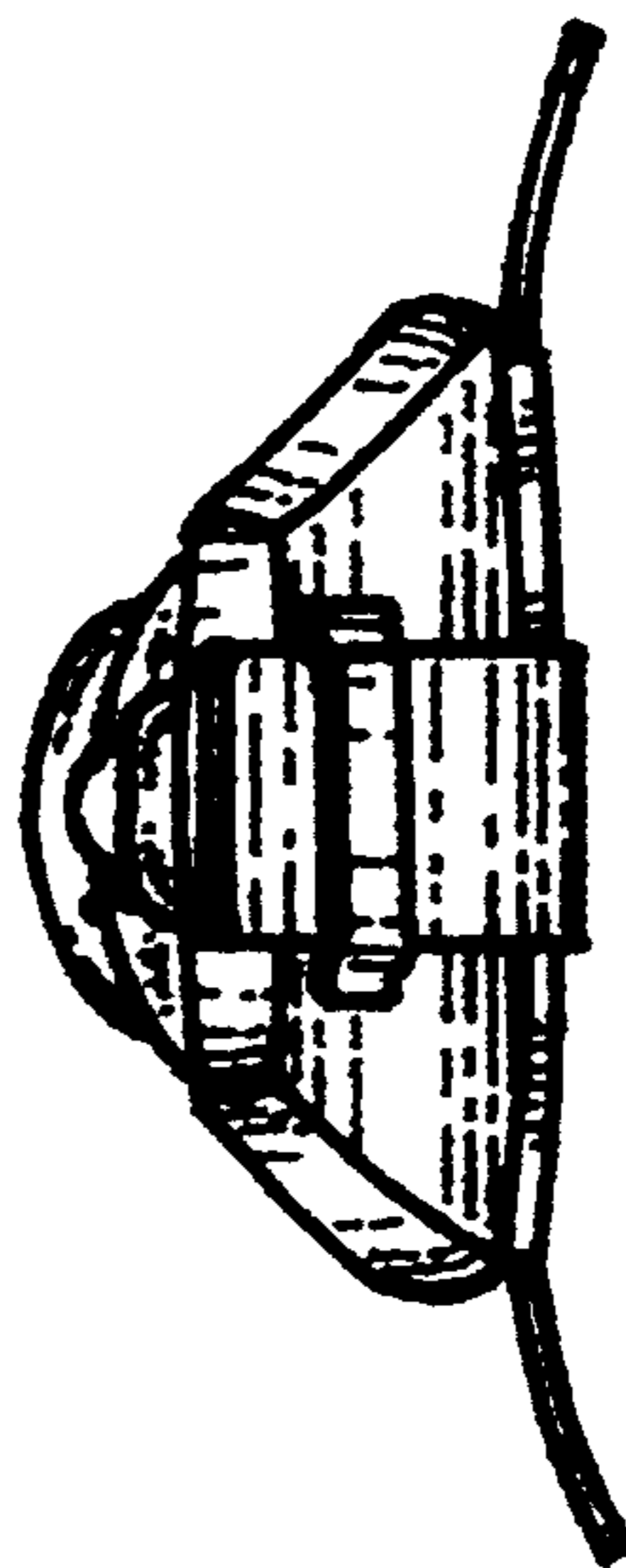


FIG. 5

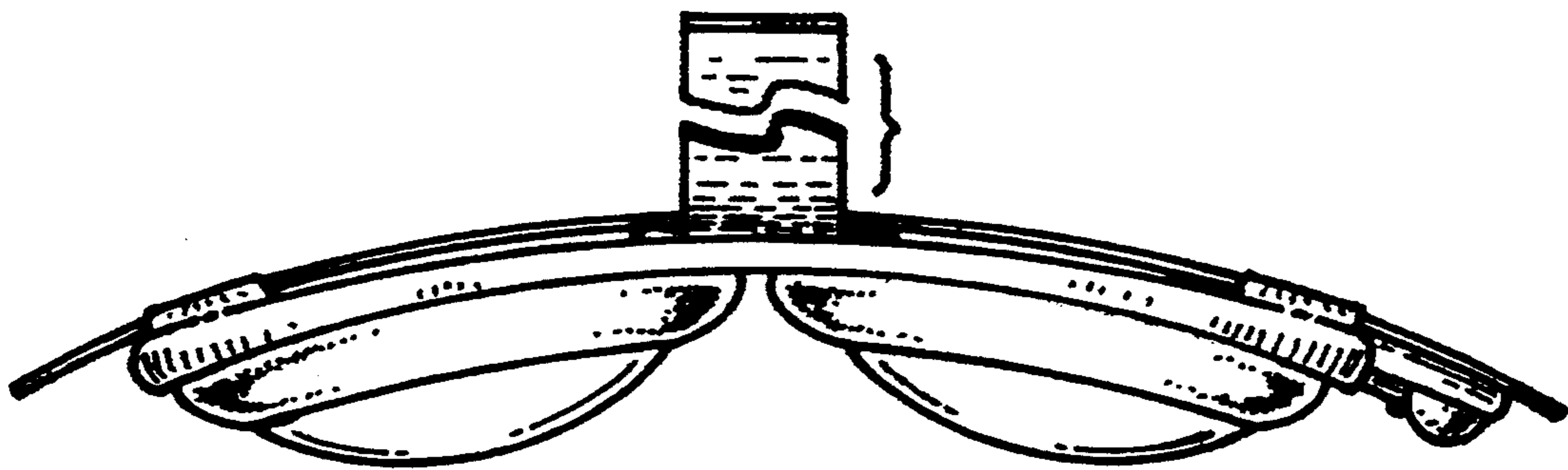


FIG. 6

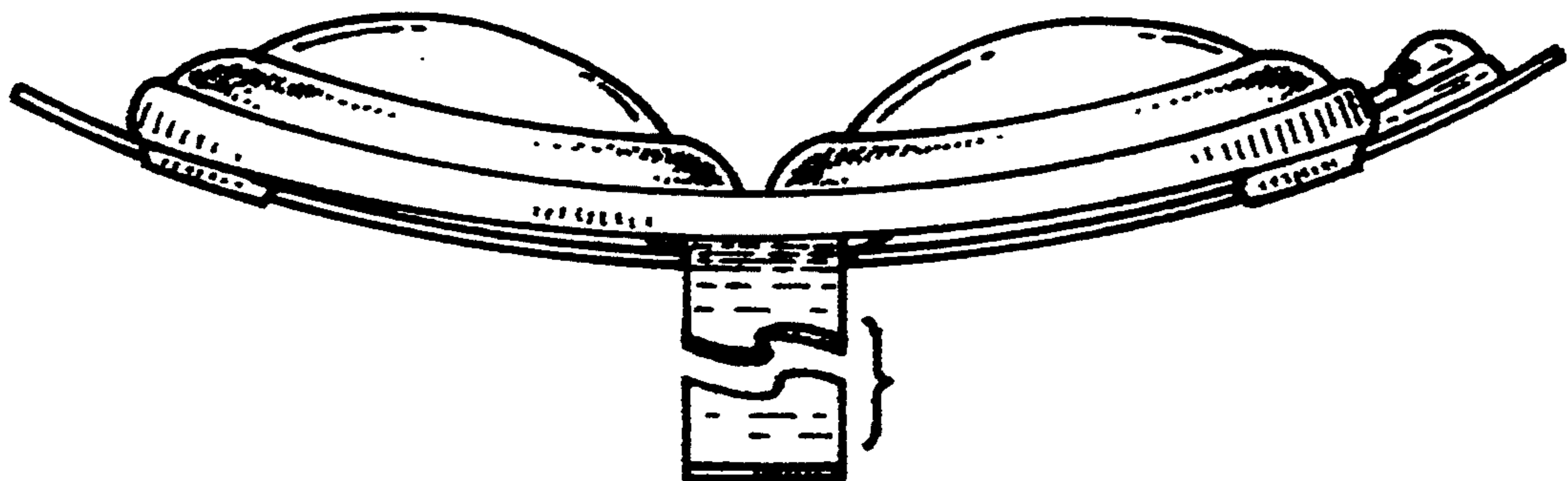


FIG. 7