



US00D355032S

# United States Patent [19]

[11] Patent Number: Des. 355,032

Goldberger et al.

[45] Date of Patent: \*\* Jan. 31, 1995

[54] MEDICAL MONITORING EQUIPMENT  
PROBE CONNECTOR

5,080,098 1/1992 Willett et al. .... 128/633  
5,249,576 10/1993 Goldberger et al. .... 128/632

[75] Inventors: Daniel S. Goldberger, Boulder; Mark Hibi, Louisville; James H. Taylor, Boulder; Timothy A. Turley, Highlands Ranch; Gregory D. Volan, Boulder; Kirk L. Weimer, Louisville, all of Colo.

Primary Examiner—Stella Reid  
Attorney, Agent, or Firm—Roger M. Rathbun; Larry R. Cassett

[73] Assignee: Ohmeda Inc., Liberty Corner, N.J.

[\*\*] Term: 14 Years

### [57] CLAIM

The ornamental design for a medical monitoring equipment probe connector for pulse oximeters.

[21] Appl. No.: 10,637

[22] Filed: Jul. 13, 1993

[52] U.S. Cl. .... D24/169

[58] Field of Search ..... D24/187, 165, 164, 167, D24/169; 128/633, 632, 637, 634

### DESCRIPTION

FIG. 1 is a perspective view of the medical monitoring equipment probe connector for pulse oximeters of the present invention;

FIG. 2 is a top view of the probe connector of FIG. 1; FIG. 3 is a bottom view of the probe connector of FIG. 1;

FIG. 4 is an end view of the probe connector of FIG. 1; FIG. 5 is a cable end view of the probe connector of FIG. 1;

FIG. 6 is a left side view of the probe connector of FIG. 1; and,

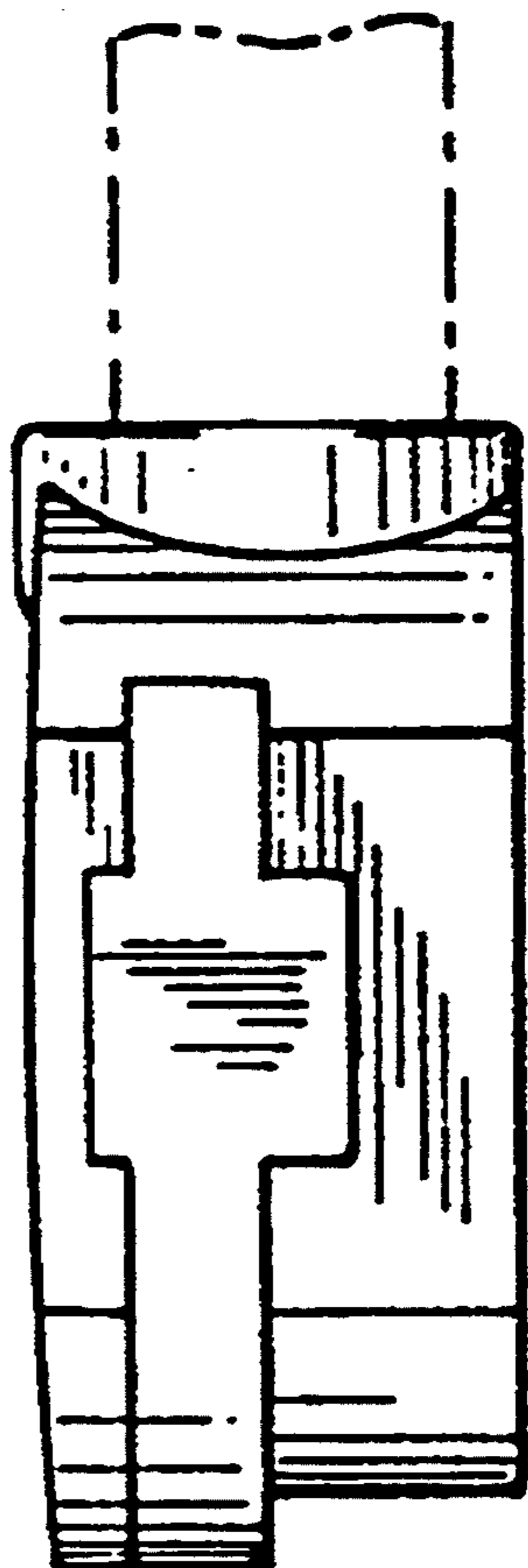
FIG. 7 is a right side view of the probe connector of FIG. 1.

The broken line showing of the tube is for illustrative purposes only and forms no part of the claimed design.

### [56] References Cited

#### U.S. PATENT DOCUMENTS

D. 326,715	6/1992	Schmidt	.....	D24/164
4,825,879	5/1989	Tan et al.	.....	128/633
4,964,408	10/1990	Hink et al.	.....	128/633
5,035,243	7/1991	Muz	.....	128/633



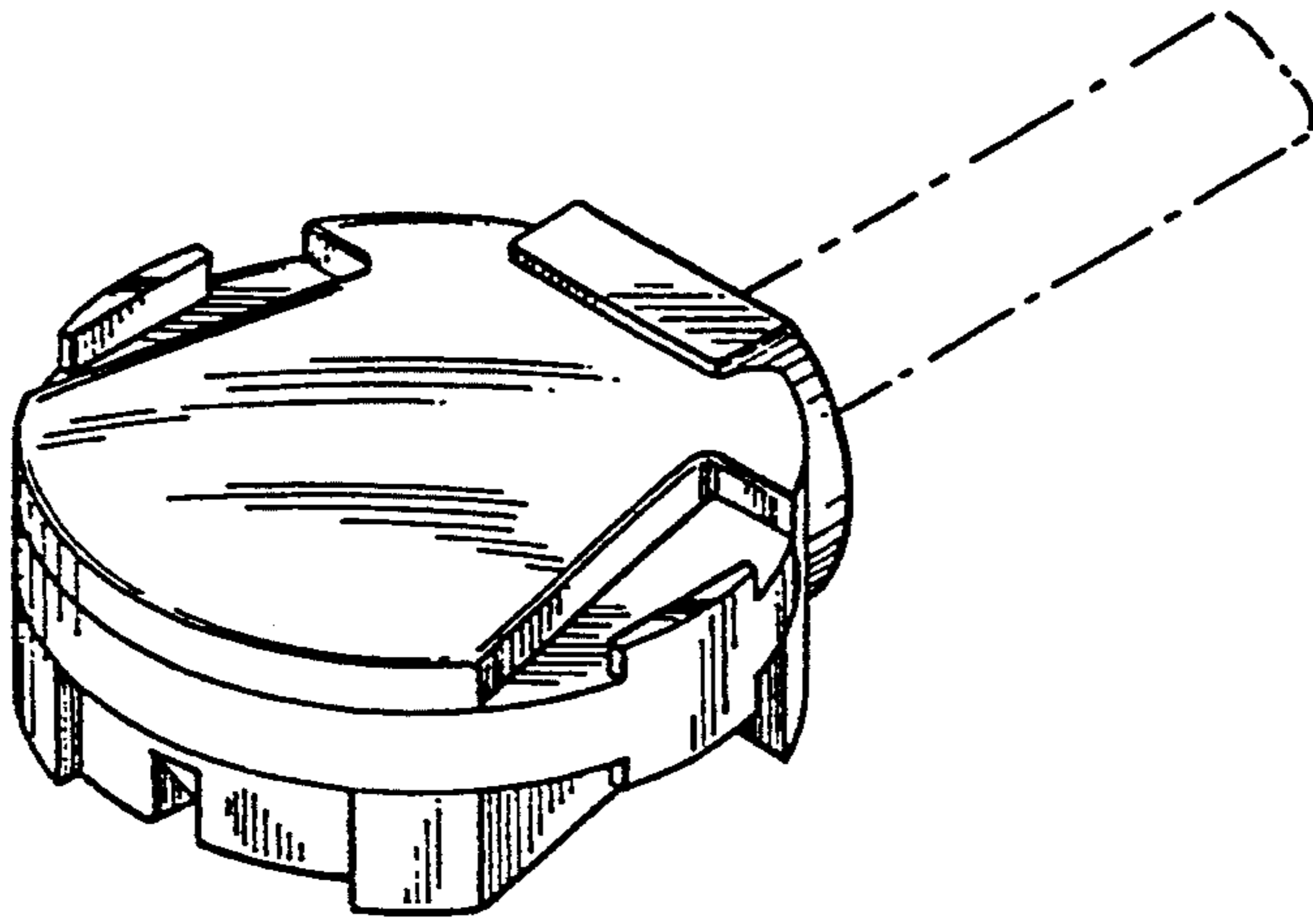


FIG. 1

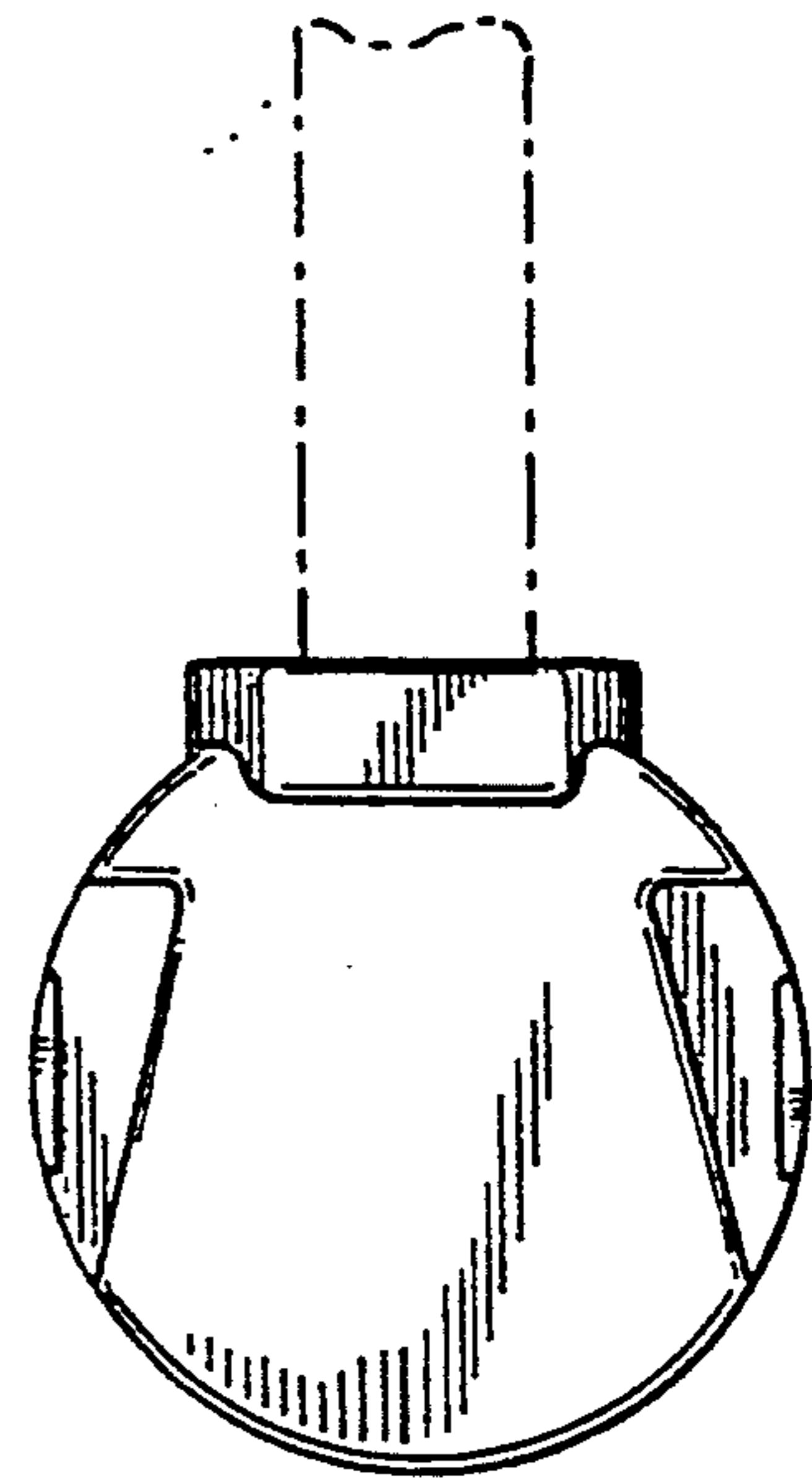


FIG. 2

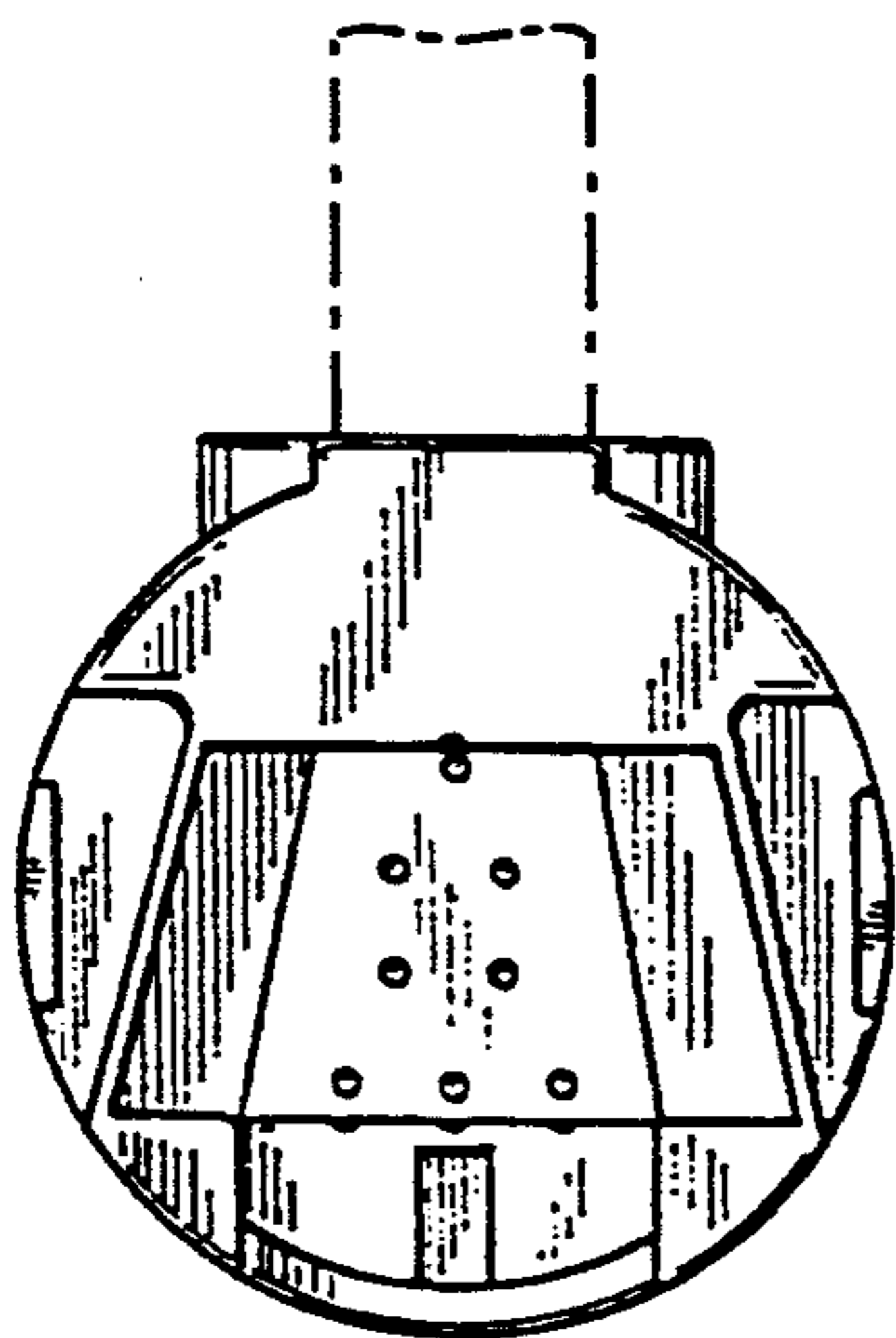


FIG. 3

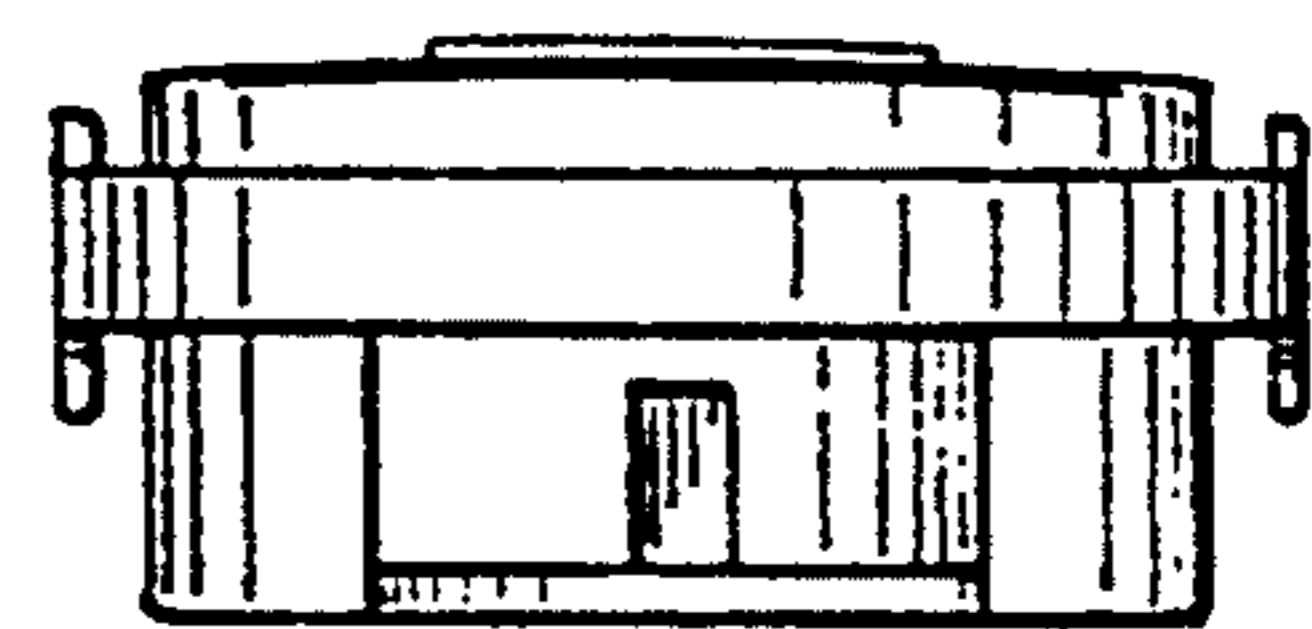


FIG. 4

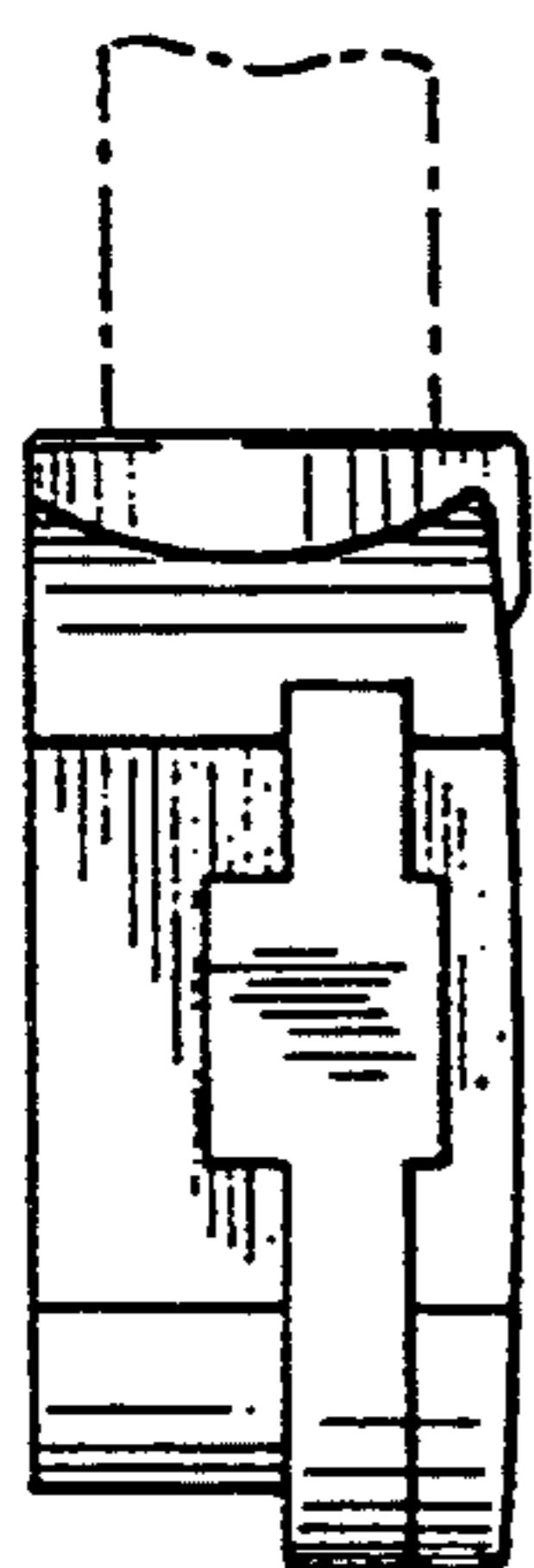


FIG. 6

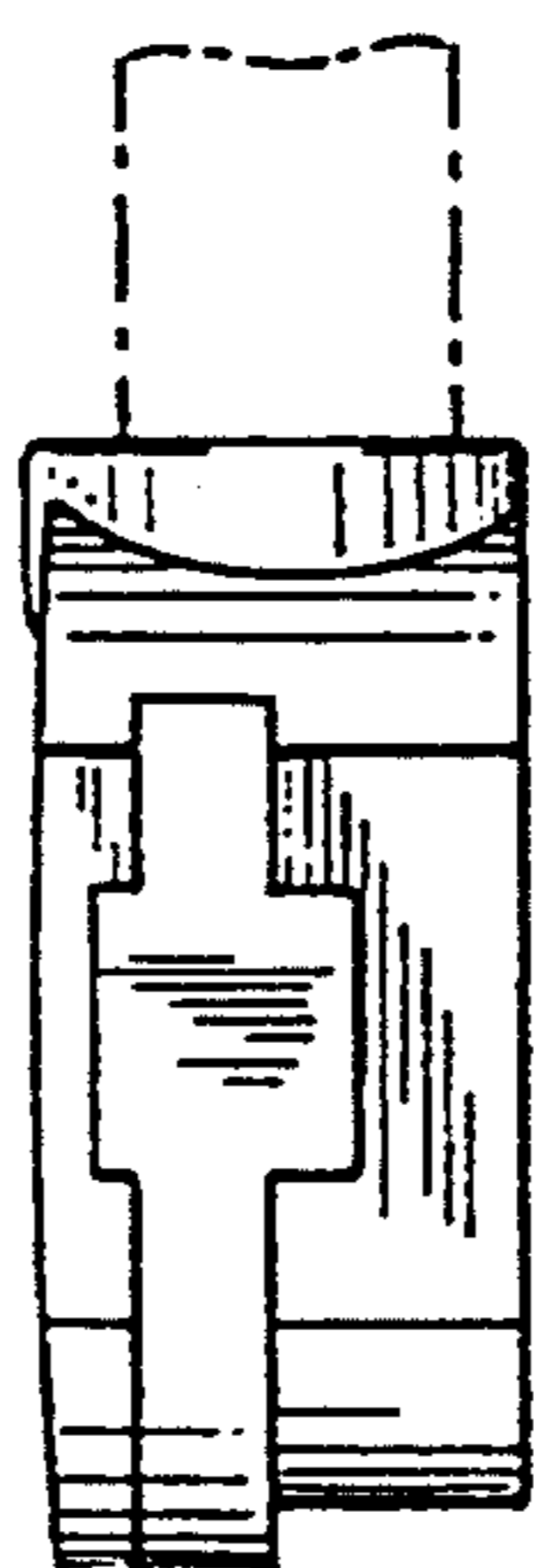


FIG. 7

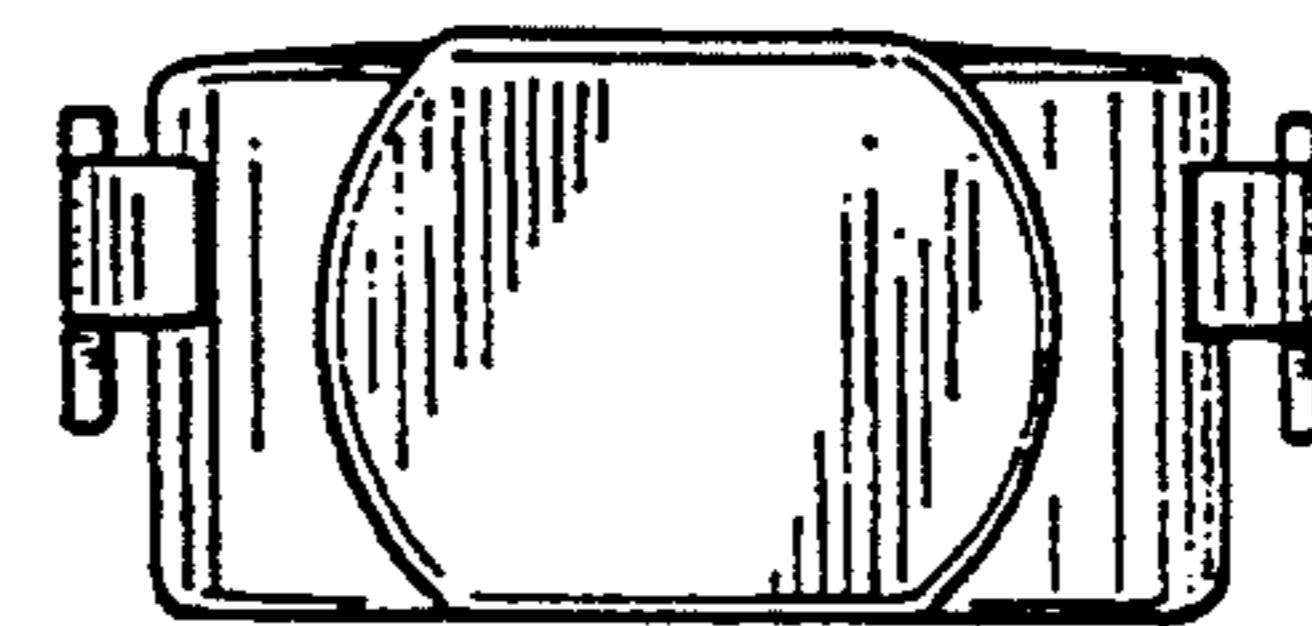


FIG. 5