



US00D355030S

United States Patent [19]
Baldwin

[11] **Patent Number: Des. 355,030**

[45] **Date of Patent: ** Jan. 31, 1995**

[54] **RESUSCITATOR VALVE**

[76] **Inventor: Gene R. Baldwin, 324 N. Gardiner Ave., Rockford, Ill. 61107**

[**] **Term: 14 Years**

[21] **Appl. No.: 7,007**

[22] **Filed: Apr. 14, 1993**

[52] **U.S. Cl. D24/1106; D24/129**

[58] **Field of Search D24/129, 110, 186, 162; 604/35; D28/7; 128/202.29, 203.11, 201.28, 202.13, 202.27, 202.28**

[56] **References Cited**

U.S. PATENT DOCUMENTS

D. 243,635	3/1977	Miller	D24/129
D. 276,369	11/1984	Clawson et al.	D24/129
D. 325,082	3/1992	Lambert	D24/111
4,048,996	9/1977	Mittleman et al.	D24/129 X
4,834,085	5/1989	Webster	128/202.29 X
4,886,057	12/1989	Nave	128/203.11
5,146,914	9/1992	Sturrock	128/202.29 X

FOREIGN PATENT DOCUMENTS

8904684 6/1989 WIPO D24/

Primary Examiner—A. Hugo Word

Assistant Examiner—I. Simmons

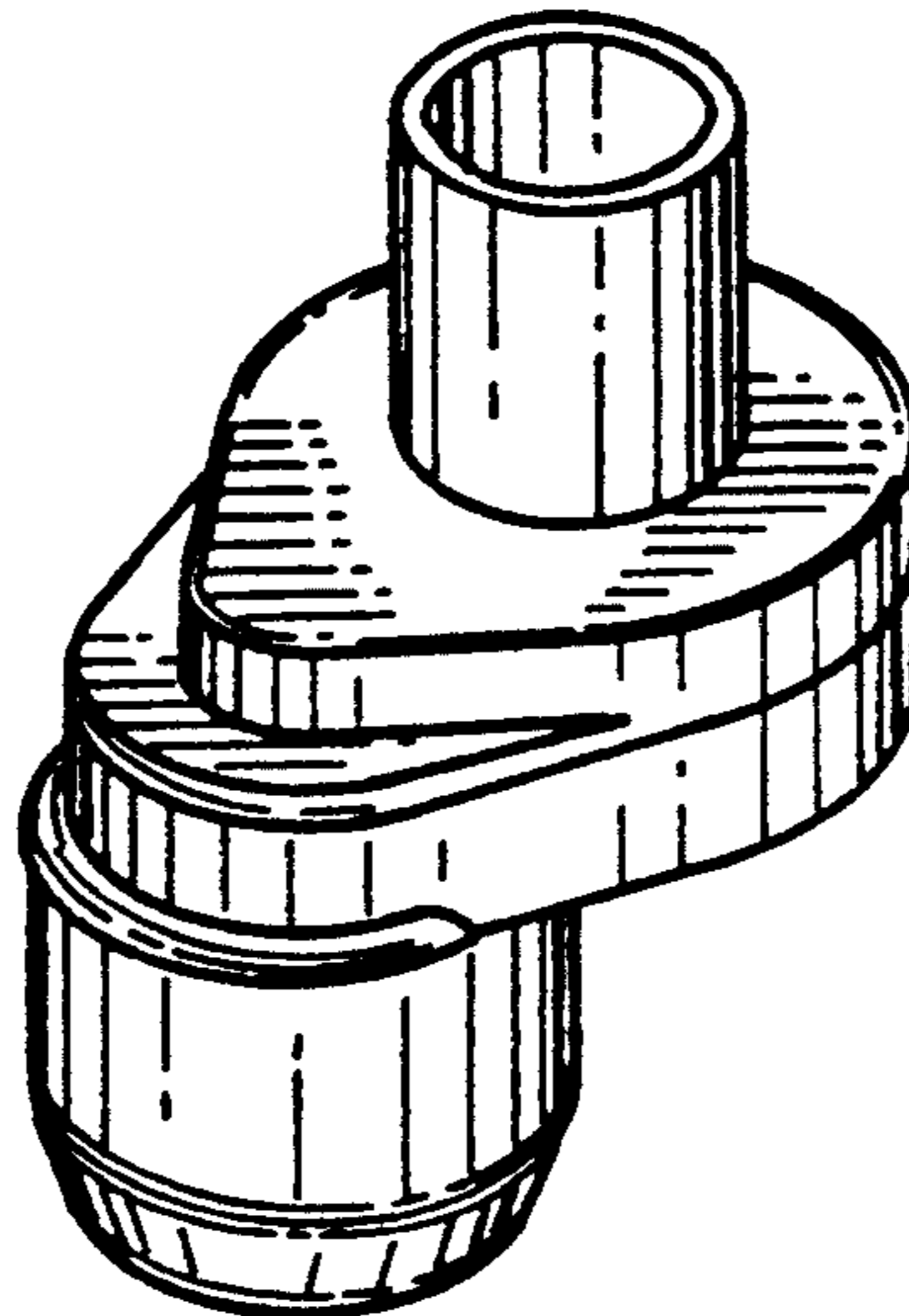
Attorney, Agent, or Firm—Brady, O'3 Boyle & Gates

[57] **CLAIM**

The ornamental design for a resuscitator valve, as shown and described.

DESCRIPTION

FIG. 1 is a perspective view of a resuscitator valve, looking from the top thereof showing my new design; FIG. 2 is a top plan view thereof; FIG. 3 is a bottom plan view thereof; FIG. 4 is a side elevational view thereof; FIG. 5 is a perspective view of the resuscitator, looking from the bottom thereof; FIG. 6 is a side elevational view as viewed from the right of FIG. 2; and, FIG. 7 is a side elevational view as viewed from the left of FIG. 4.



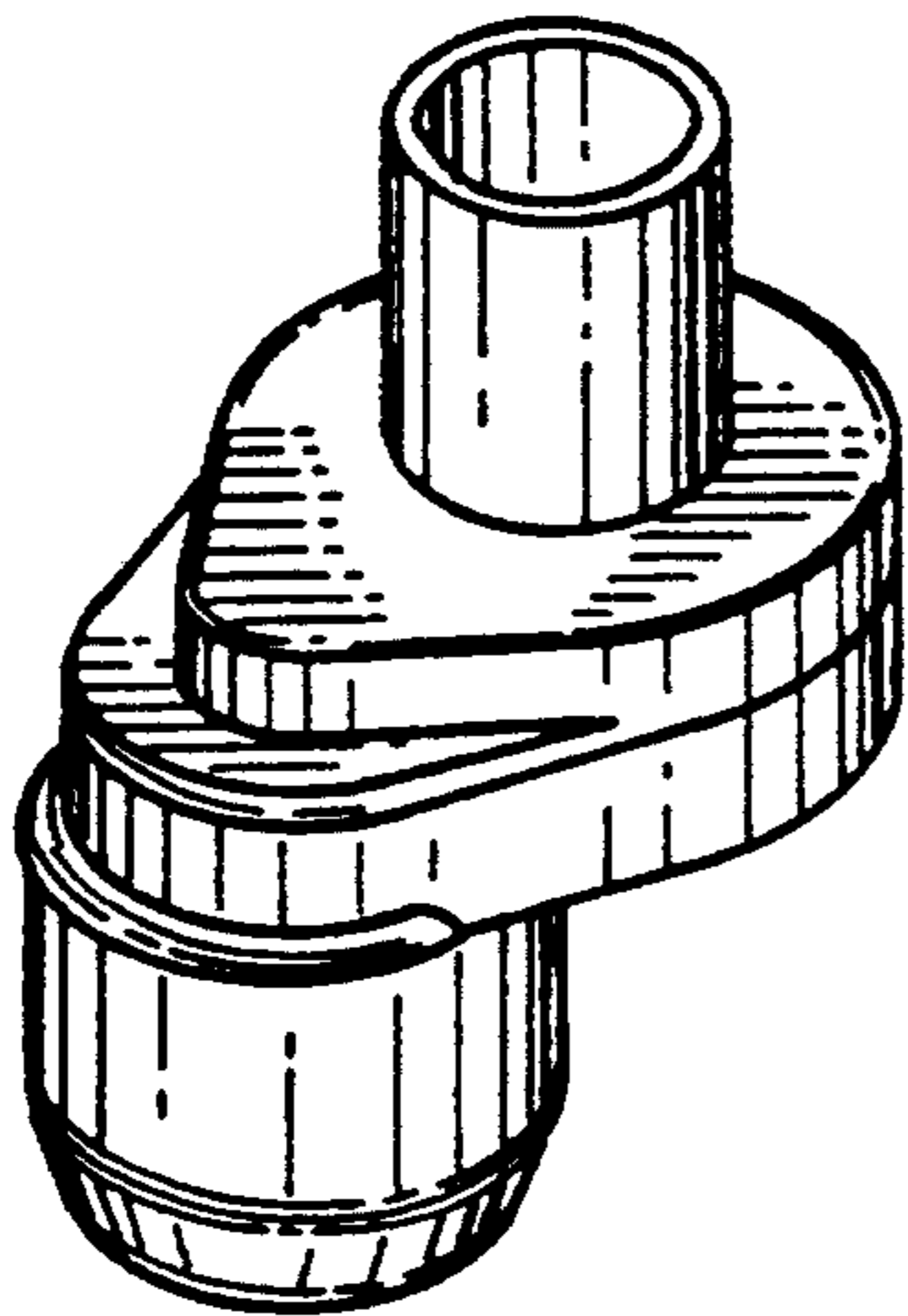


FIG. 1

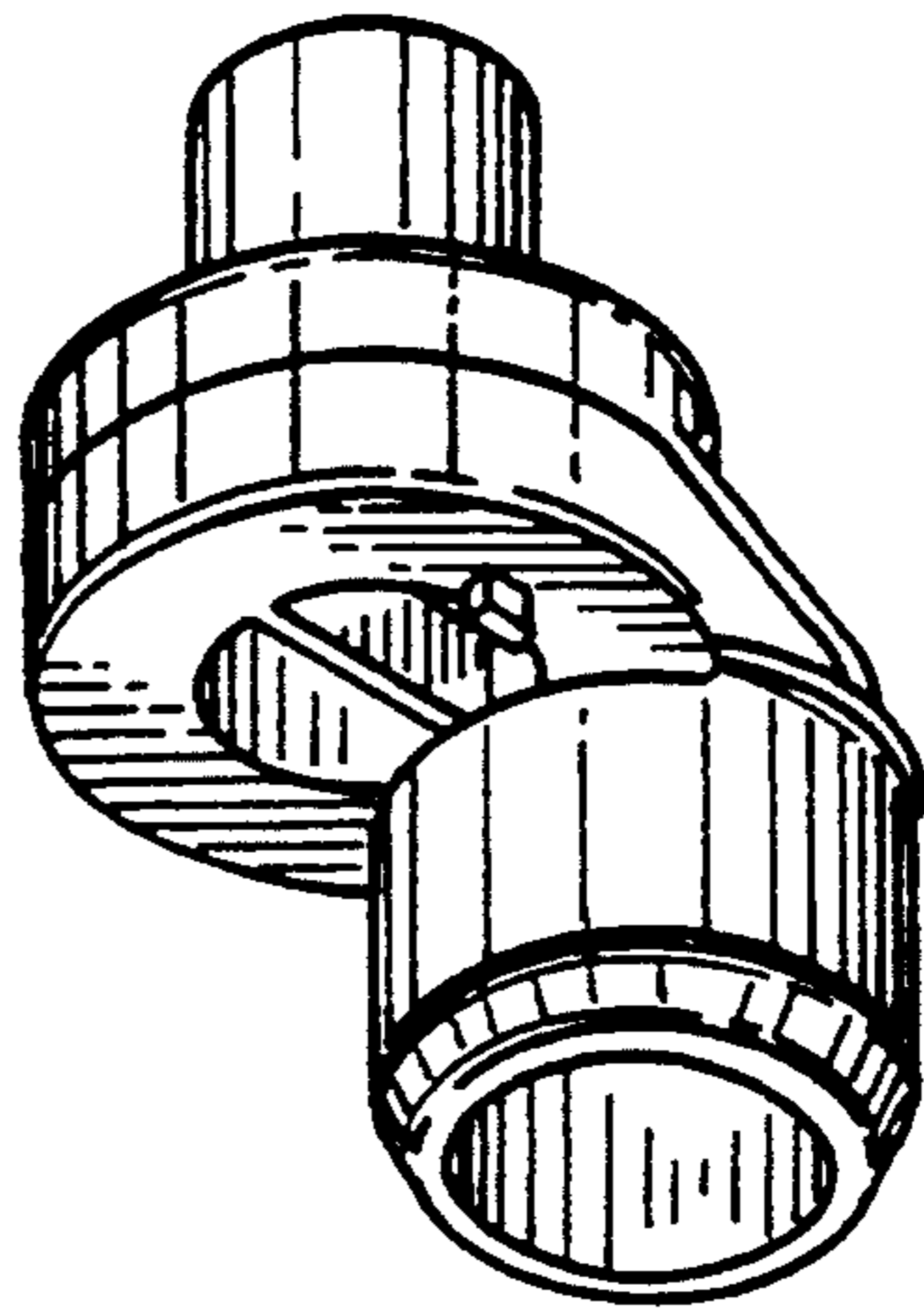


FIG. 5

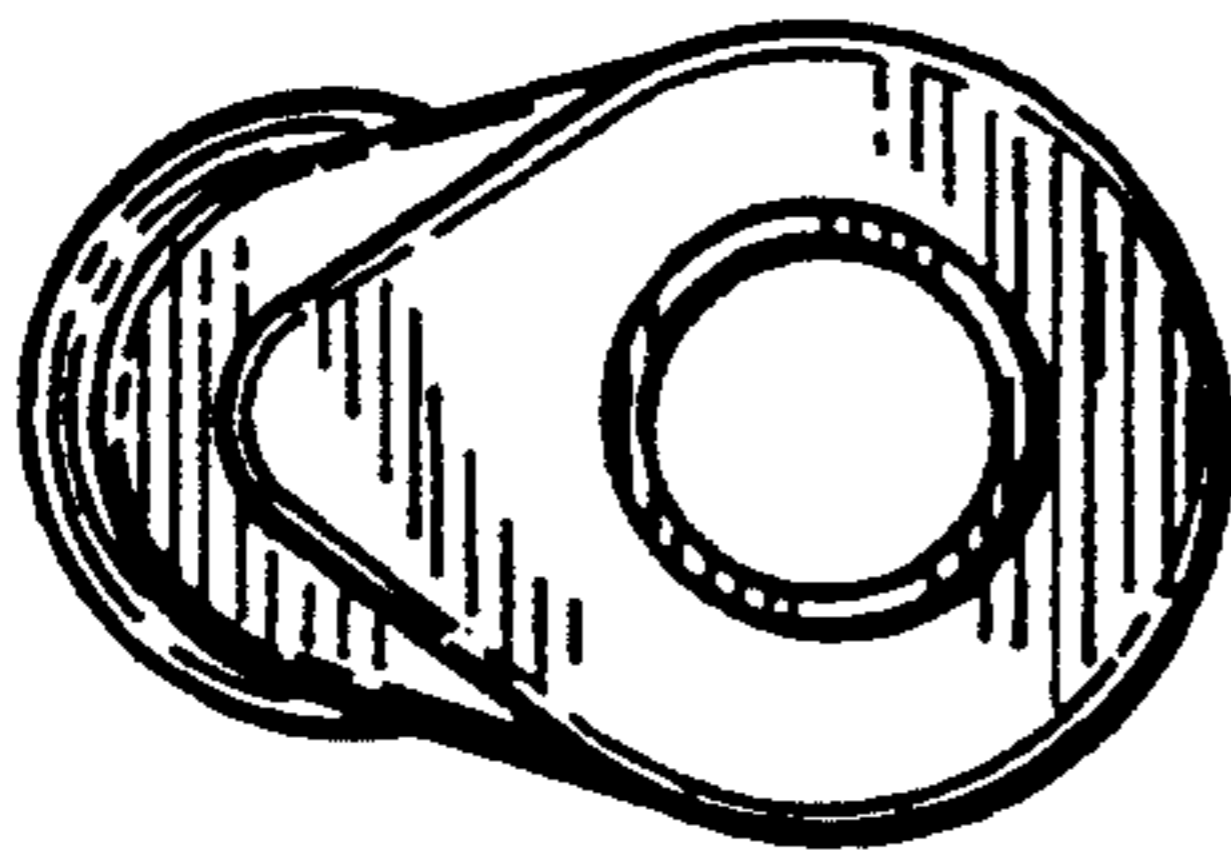


FIG. 2

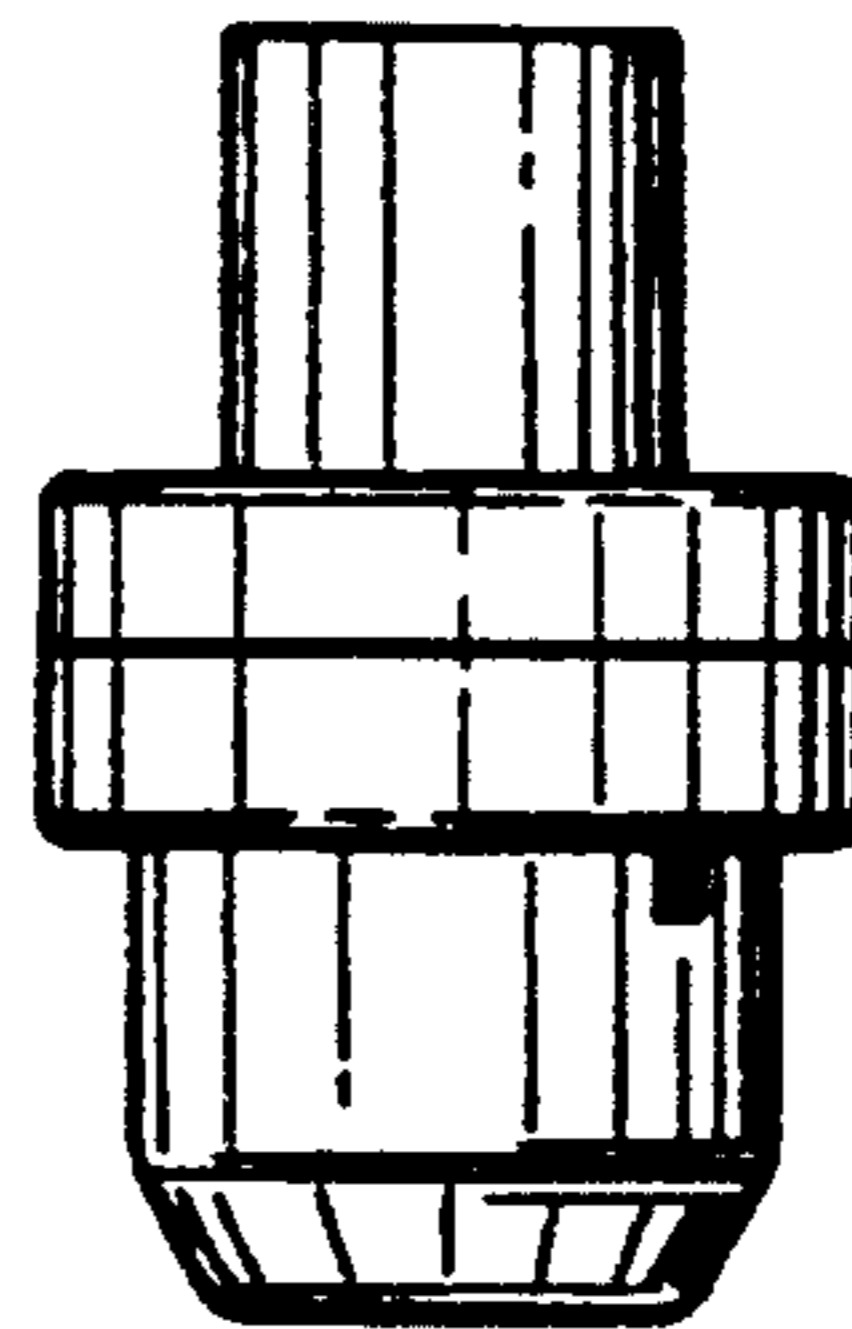


FIG. 6

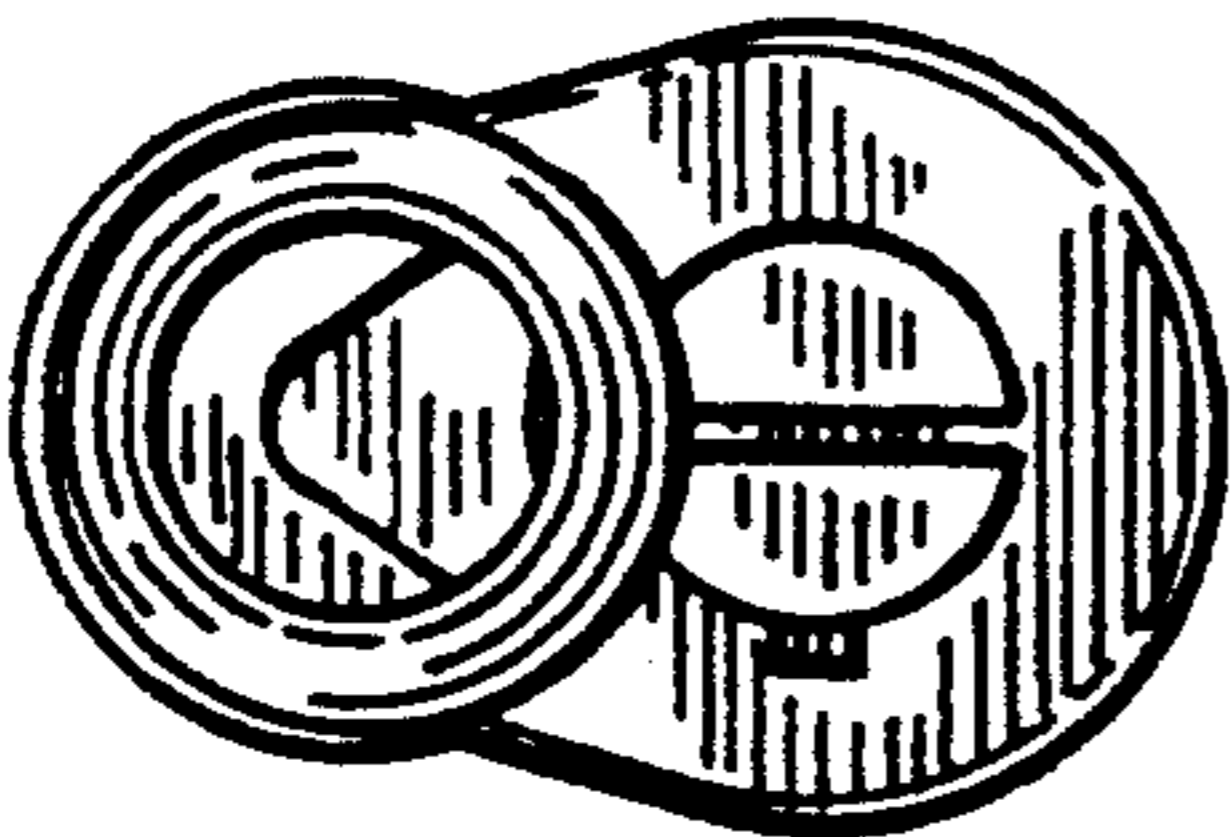


FIG. 3

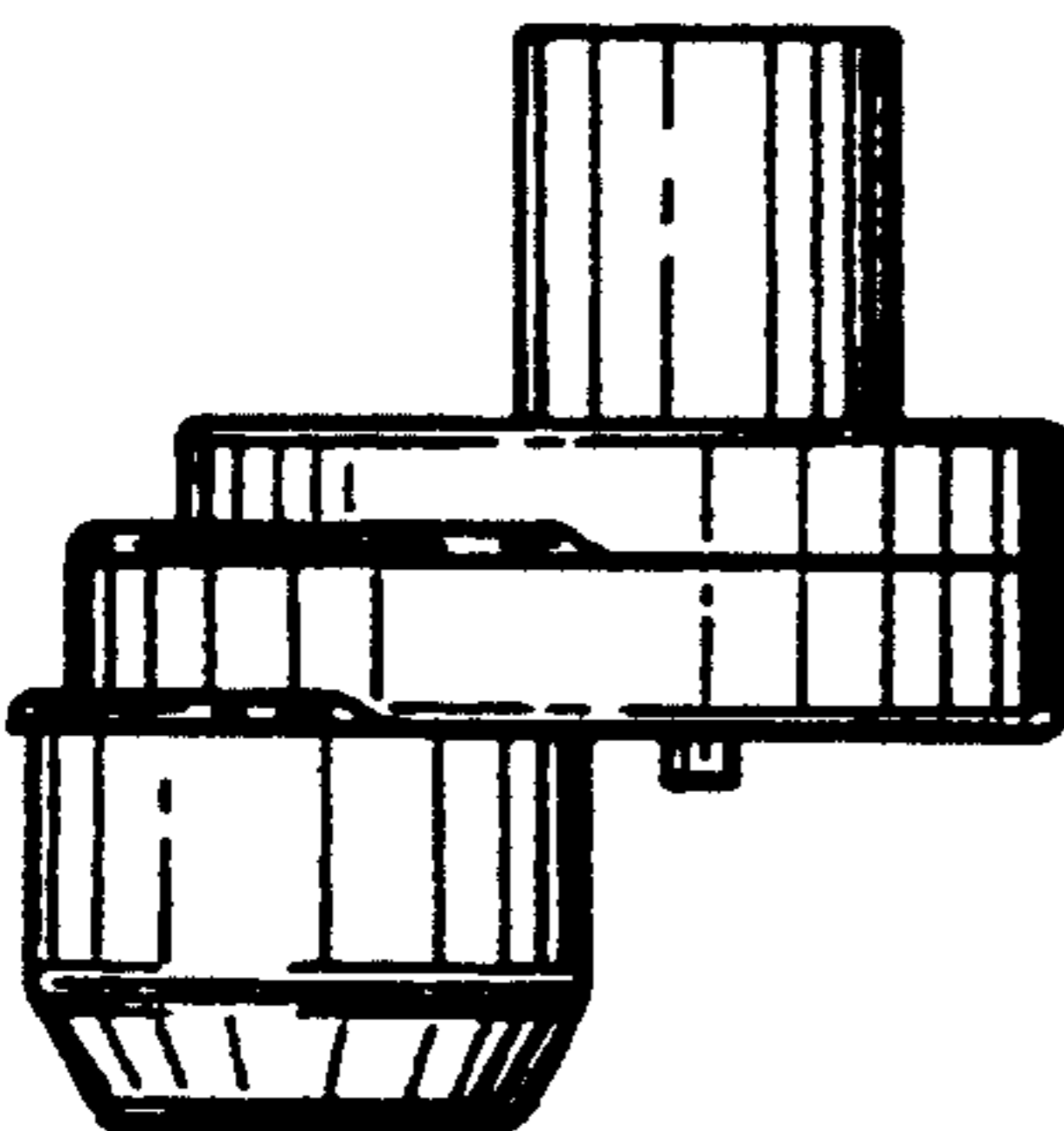


FIG. 4

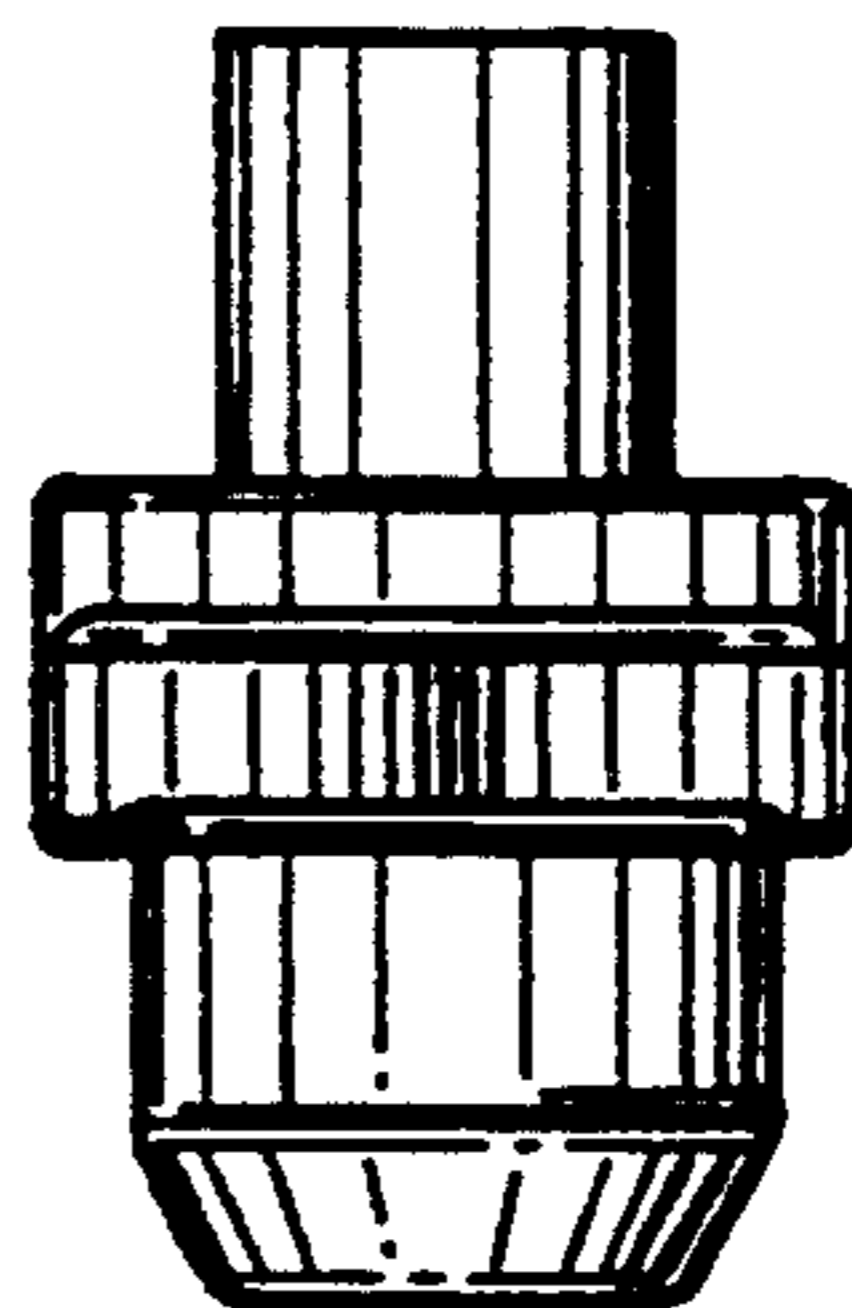


FIG. 7