



US00D355028S

# United States Patent [19]

[11] Patent Number: **Des. 355,028**

**Tsuji**

[45] Date of Patent: **\*\* Jan. 31, 1995**

- [54] **CEILING FAN**
- [75] Inventor: **Masao Tsuji**, Germantown, Tenn.
- [73] Assignee: **Hunter Fan Company**, Memphis, Tenn.
- [\*\*] Term: **14 Years**
- [21] Appl. No.: **20,355**
- [22] Filed: **Mar. 24, 1994**
- [52] U.S. Cl. .... **D23/377; D23/379; D23/385**
- [58] Field of Search ..... **D23/377, 379, 385, 411, D23/413; 416/5**

585,250 6/1897 Bennett, Jr. .... 416/5  
 1,935,314 11/1933 Finch et al. .... 416/5

*Primary Examiner*—Lisa P. Lichtenstein  
*Attorney, Agent, or Firm*—Heiskell, Donelson, Bearman, Adams, Williams & Caldwell

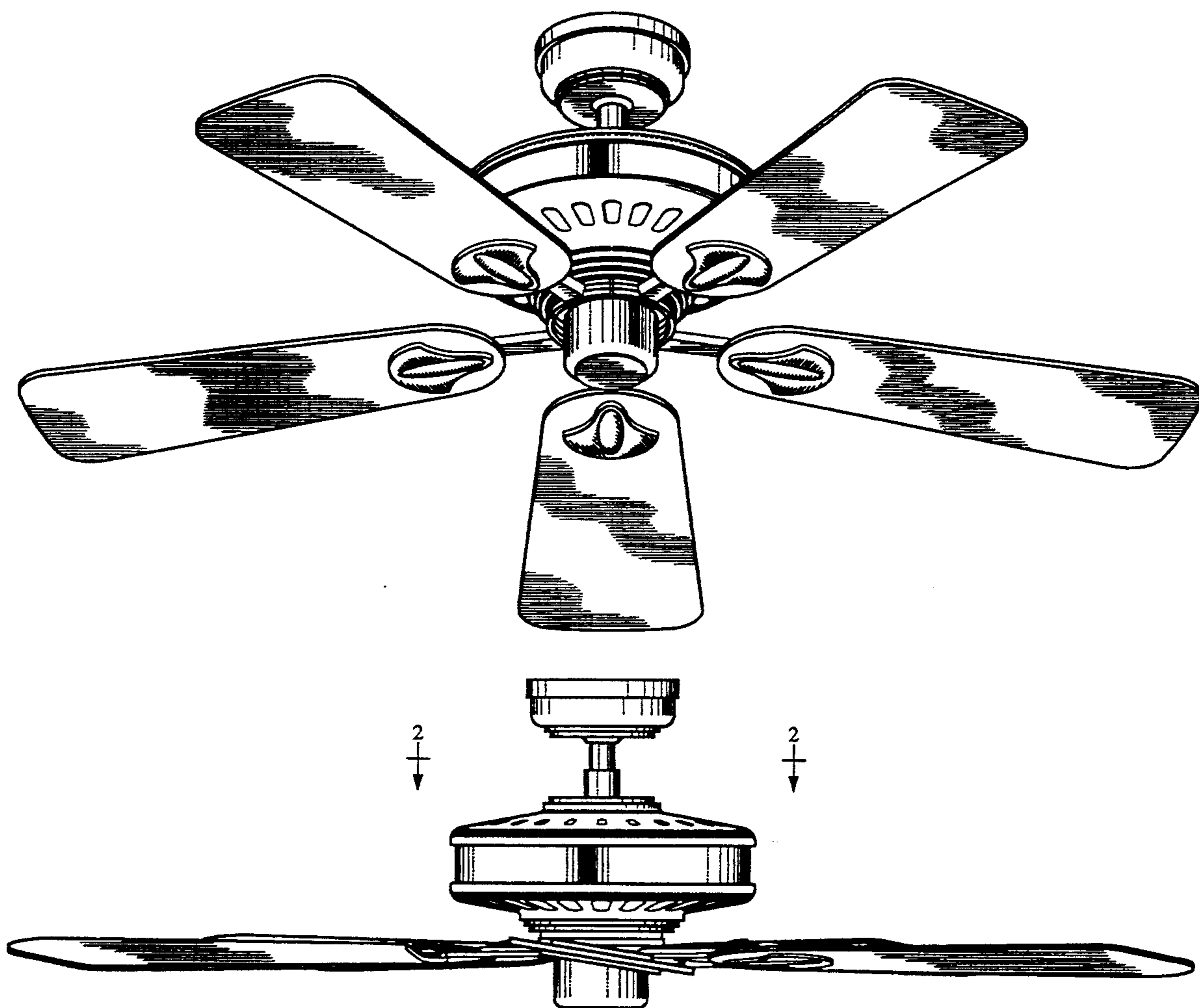
### [57] CLAIM

The ornamental design for a ceiling fan, as shown and described.

### DESCRIPTION

FIG. 1 is a side, bottom perspective view of a ceiling fan showing my new design;  
 FIG. 2 is a cross-sectional view thereof, on a reduced scale, taken along line 2—2 in FIG. 4 and looking in the direction of the arrows;  
 FIG. 3 is a bottom plan view thereof, on a reduced scale; and,  
 FIG. 4 is a side elevational view thereof, the remaining side views being substantially the same.

- [56] **References Cited**
- U.S. PATENT DOCUMENTS**
- D. 329,494 9/1992 Holbrook ..... D23/377
  - D. 349,336 8/1994 Tsuji ..... D23/377
  - D. 349,337 8/1994 Tsuji ..... D23/377



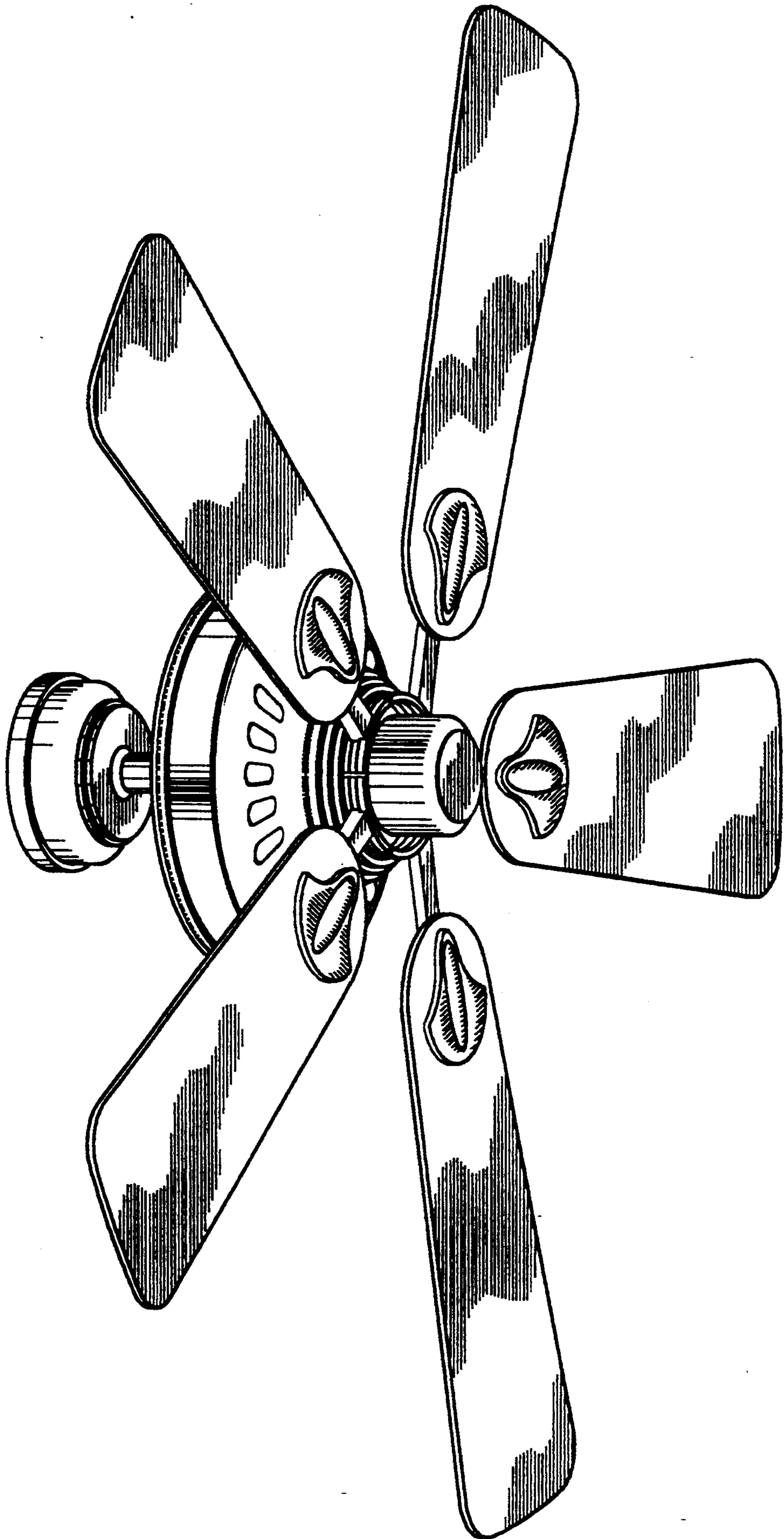


Fig. 1

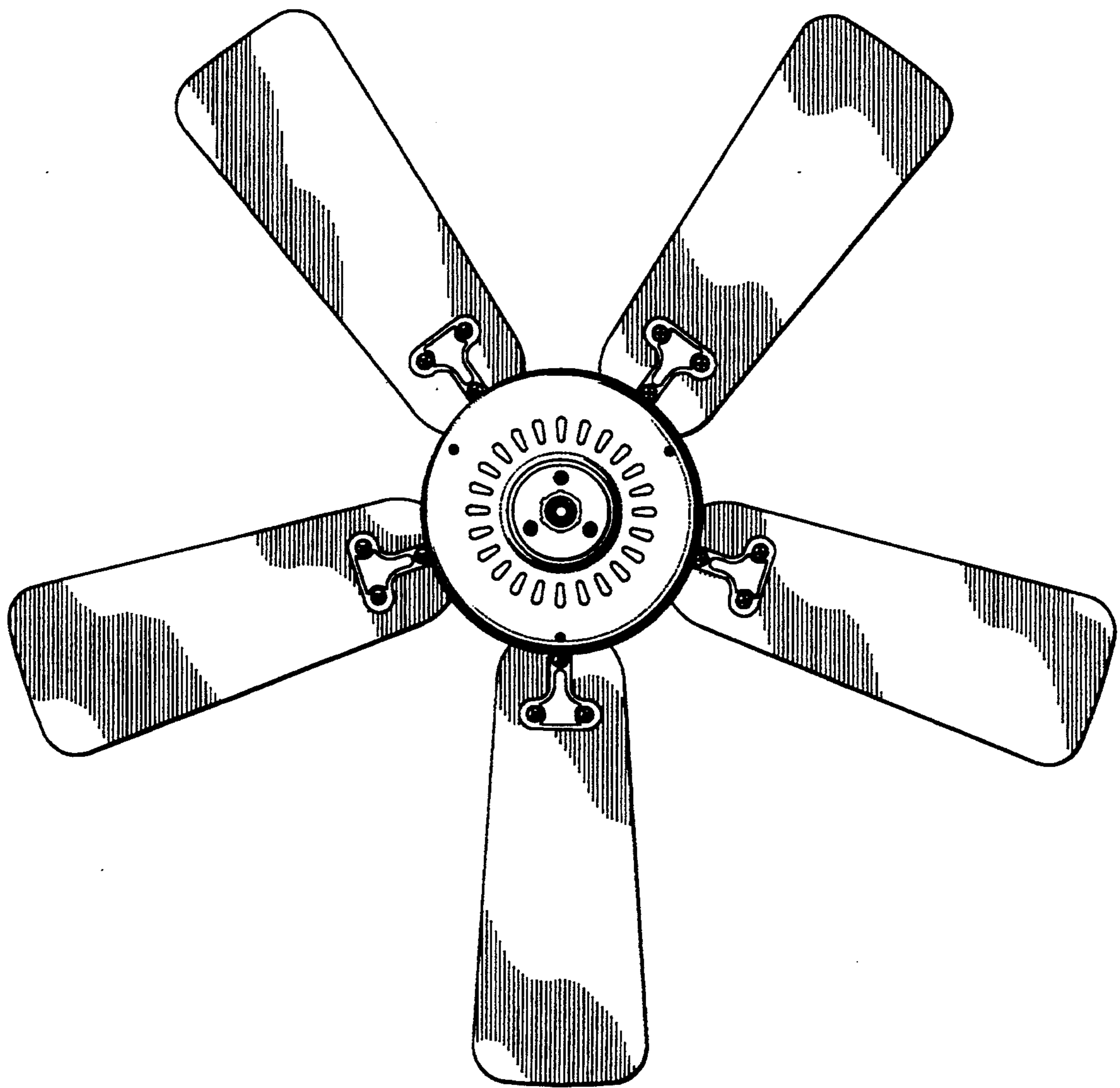


Fig.2

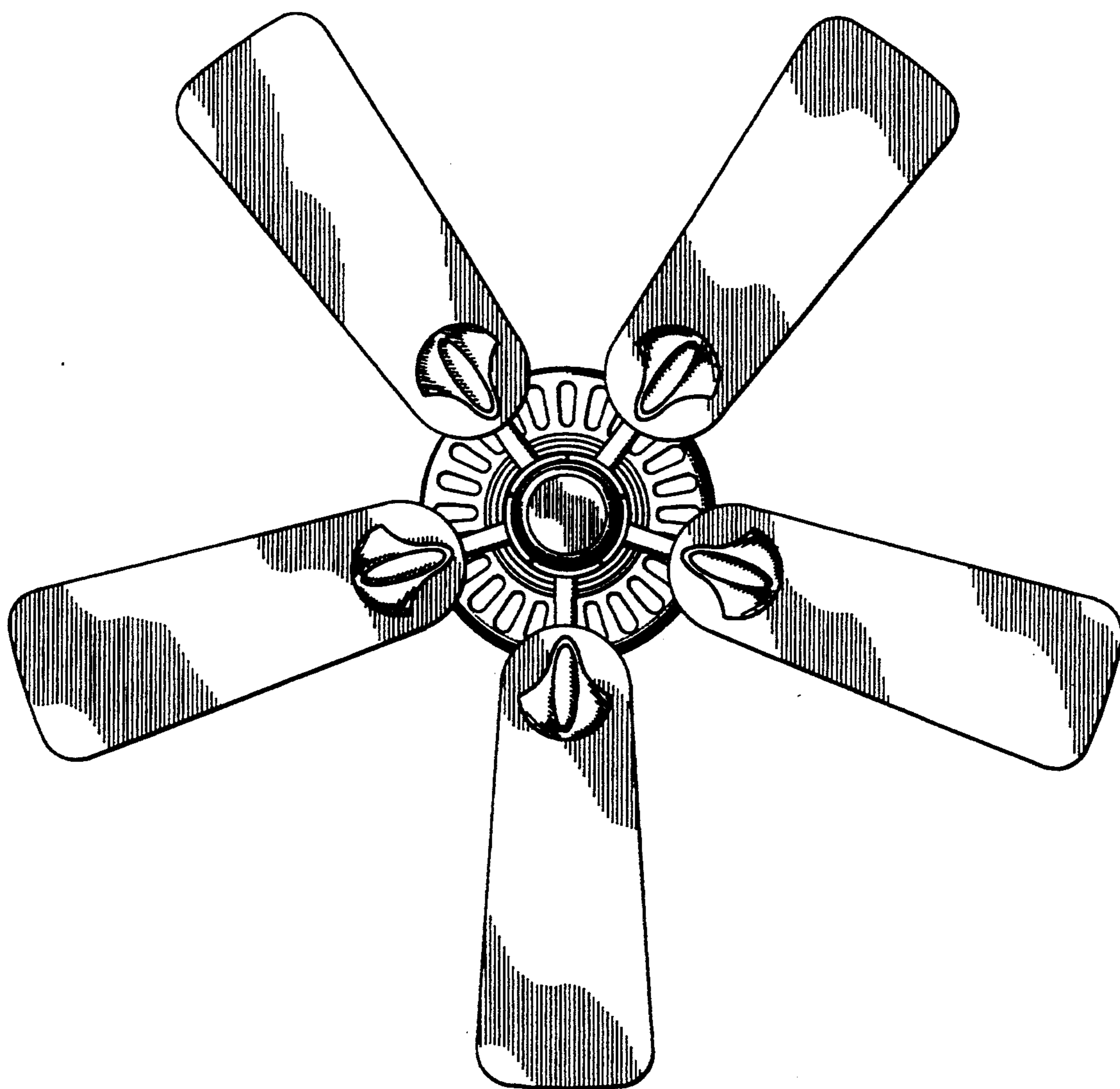


Fig.3

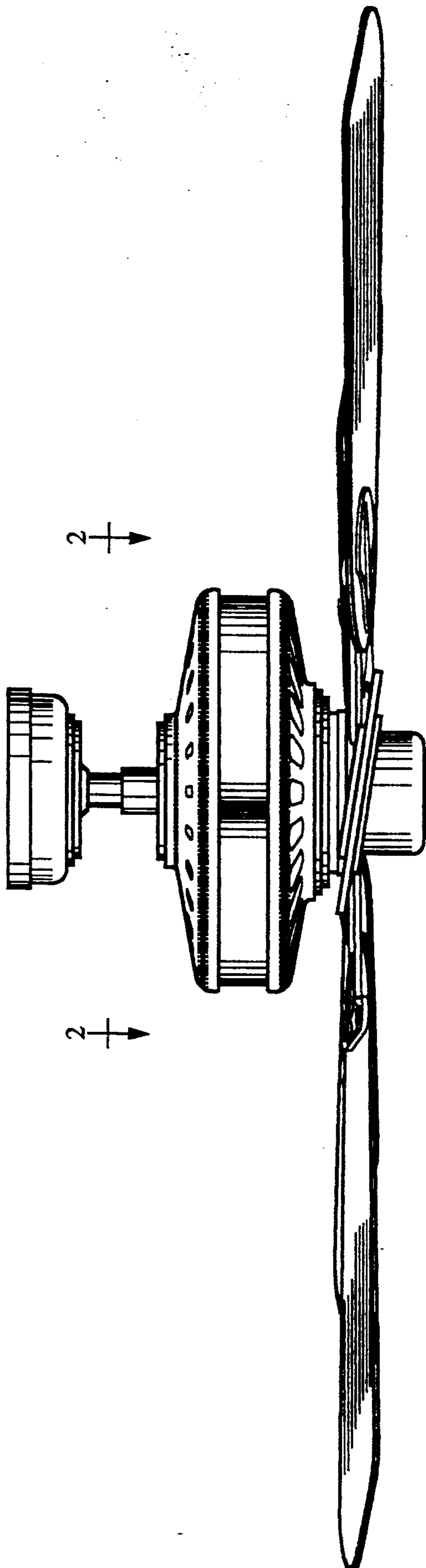


Fig.4