



US00D355027S

United States Patent [19]

[11] Patent Number: Des. 355,027

Young

[45] Date of Patent: ** Jan. 31, 1995

[54] COMBINED DOUBLE BLADED CEILING FAN AND ILLUMINABLE LENS

[75] Inventor: Stanfield K. Young, Cypress, Calif.

[73] Assignee: Seattle Lighting Fixture Co., Seattle, Wash.

[**] Term: 14 Years

[21] Appl. No.: 3,455

[22] Filed: Jan. 7, 1993

[52] U.S. Cl. D23/377; D23/379; D23/385; D23/413

[58] Field of Search D23/377, 379, 385, 411, D23/413, 328; 416/5; 362/363, 96; 392/364; D26/81-86, 88, 72, 51, 59

[56] **References Cited**

U.S. PATENT DOCUMENTS

D. 331,101 11/1992 Rezek D23/377

OTHER PUBLICATIONS

Encon Industries, Inc. 1982 Brochure, Ceiling Fan A, top of page.

Metropolitan Home (Sep. 1989), p. 32, Exhibit B—ceiling fan, lower part of page.

Primary Examiner—Lisa P. Lichtenstein
Attorney, Agent, or Firm—Brown, Martin, Haller & McClain

[57] **CLAIM**

The ornamental design for a combined double bladed ceiling fan and illuminable lens, as shown and described.

DESCRIPTION

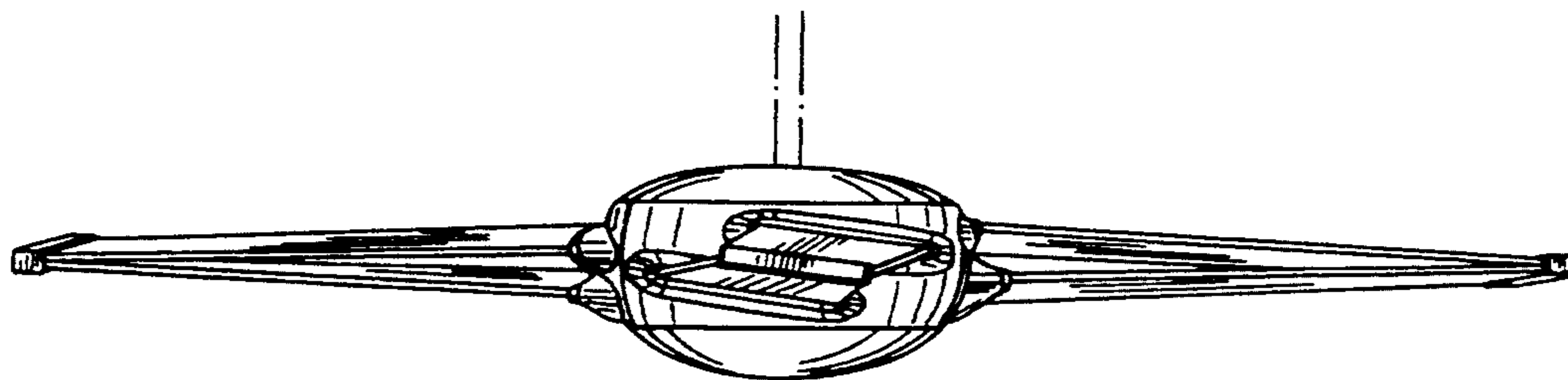
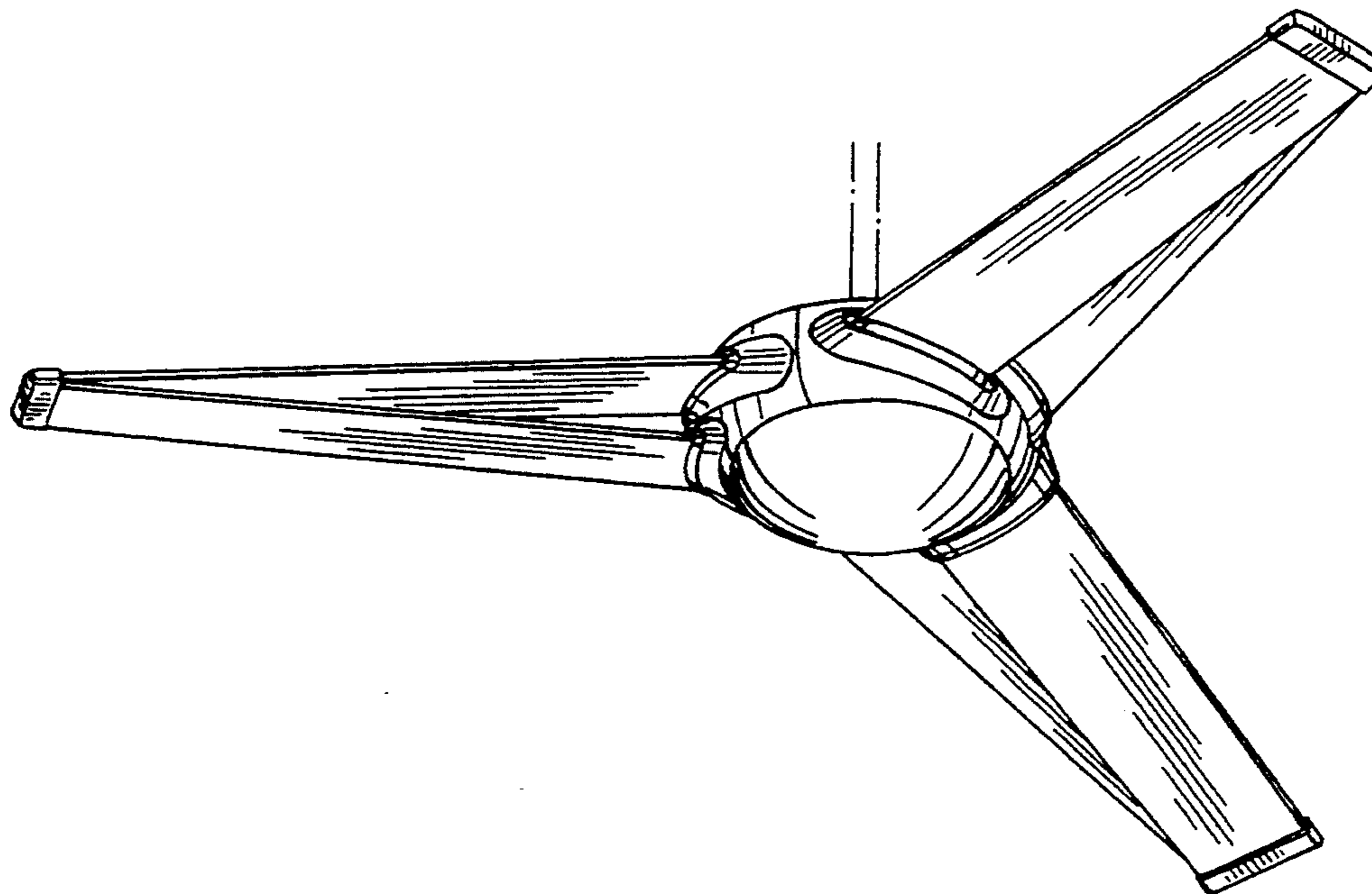
FIG. 1 is a perspective view of a combined double bladed ceiling fan and illuminable lens showing my new design;

FIG. 2 is a different perspective view thereof;

FIG. 3 is a side elevational view thereof, the other sides being identical to that shown; and,

FIG. 4 is a top view thereof.

The broken-line showing of a support rod in FIGS. 1-4 is for illustrative purposes only, and forms no part of the claimed design.



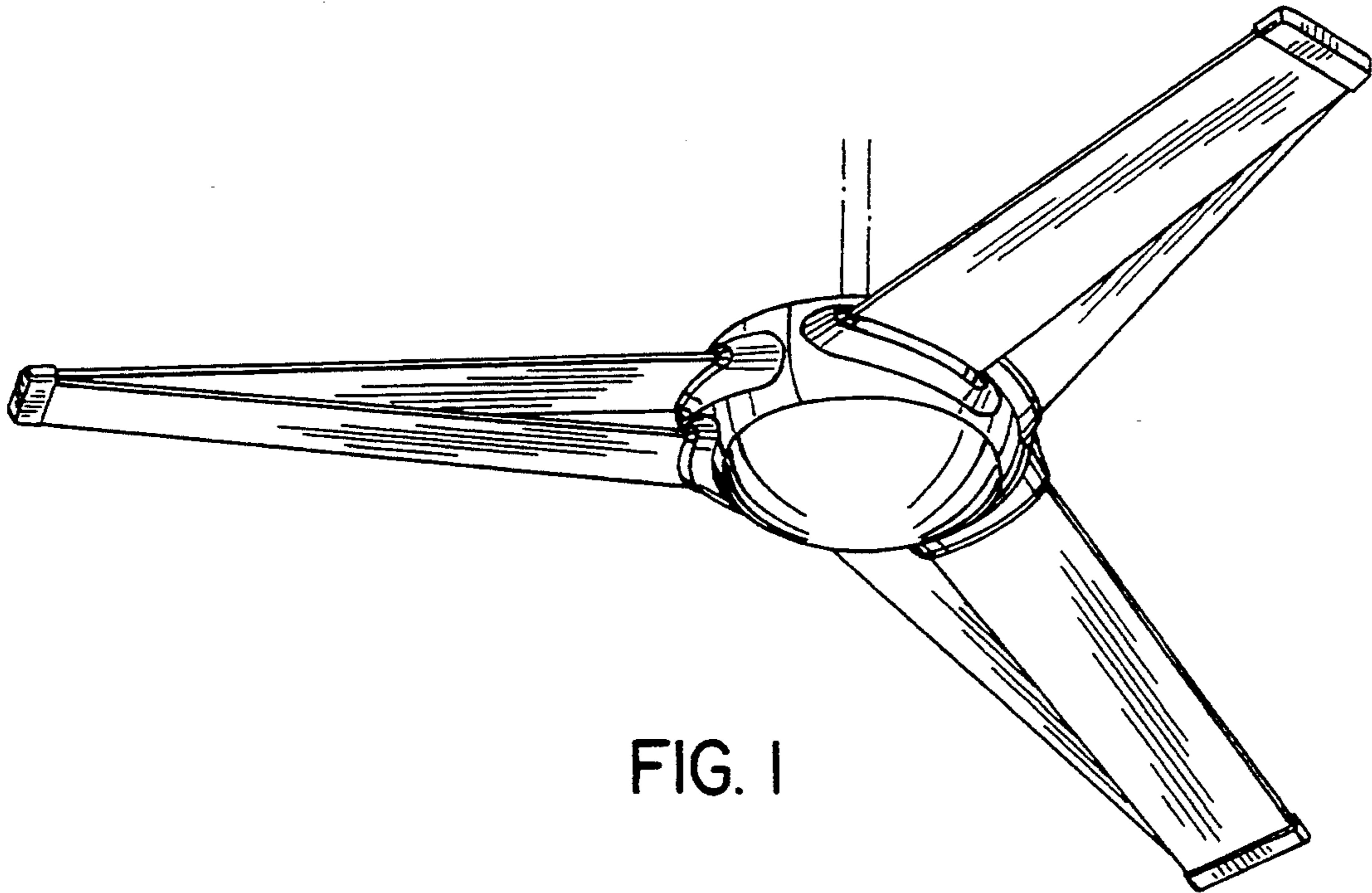


FIG. 1

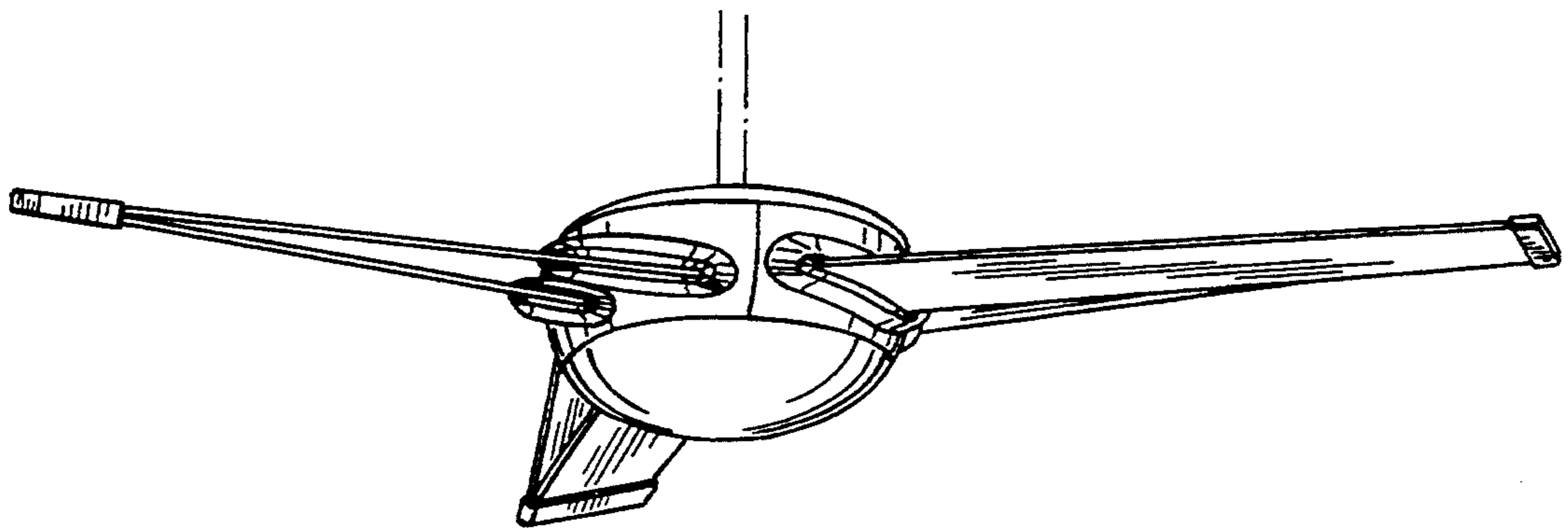


FIG. 2

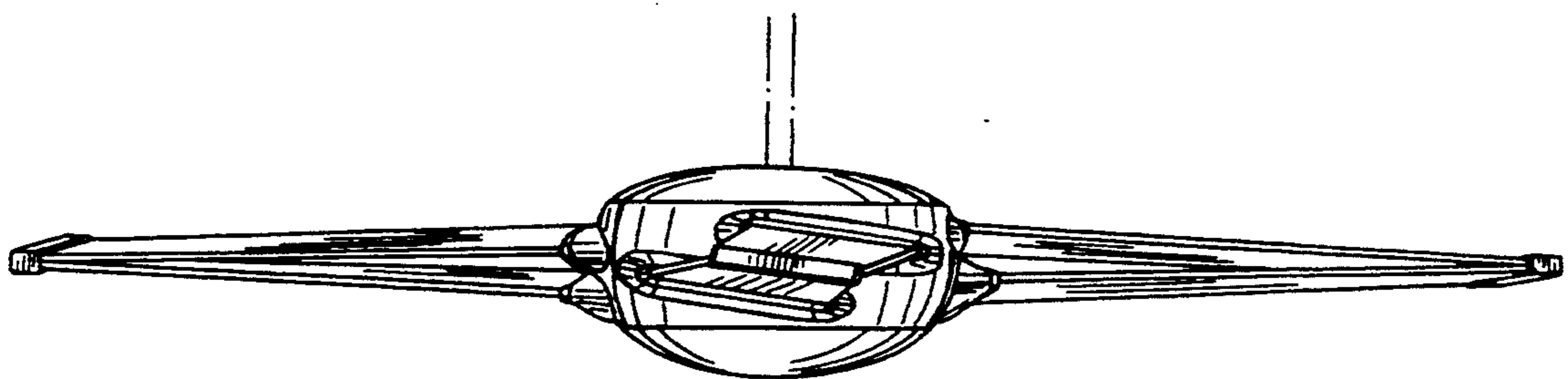


FIG. 3

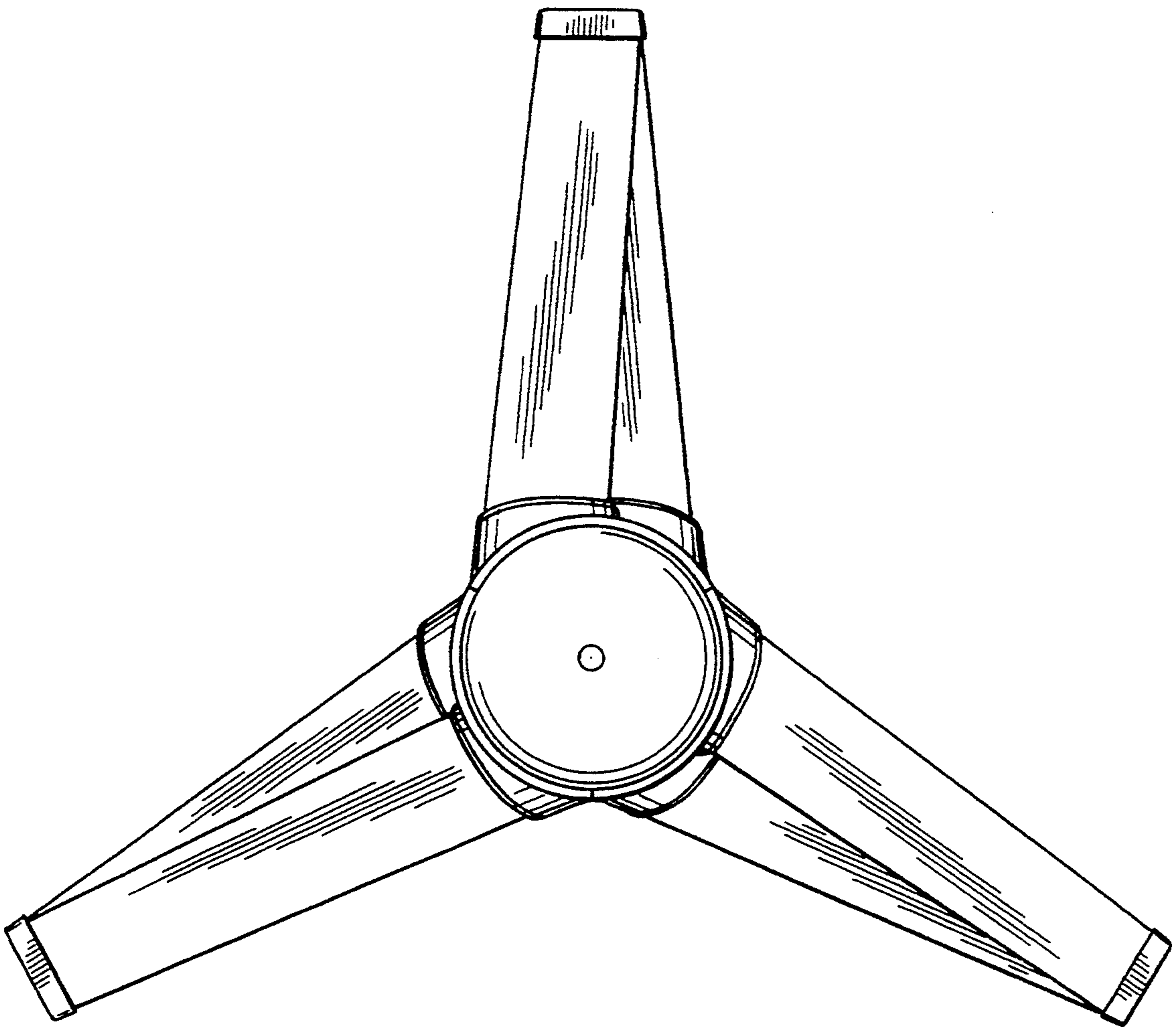


FIG. 4