



US00D355026S

# United States Patent [19]

[11] Patent Number: **Des. 355,026**

Levien

[45] Date of Patent: **\*\* Jan. 31, 1995**

[54] **BATHTUB RIM**

[75] Inventor: **Robin H. Levien**, London, England

[73] Assignee: **American Standard Inc.**, Piscataway, N.J.

[\*\*] Term: **14 Years**

[21] Appl. No.: **477,109**

[22] Filed: **Feb. 8, 1990**

[30] **Foreign Application Priority Data**

Aug. 10, 1989 [GB] United Kingdom ..... 2000262

[52] U.S. Cl. .... **D23/304**

[58] Field of Search ..... D23/270, 271, 273, 275-283, D23/303-307; D24/201-205; 4/538, 539, 546, 552, 553, 571-573, 578, 579, 589-591, 664-665

[56] **References Cited**

**U.S. PATENT DOCUMENTS**

- D. 29,677 11/1898 Buick ..... D23/281
- D. 93,716 10/1934 Hesler ..... D23/281
- D. 216,119 11/1969 Kaiser ..... D23/281
- D. 237,184 10/1975 Rosenhaus ..... D23/277

- D. 274,643 7/1984 Doman ..... D23/305
- D. 278,844 5/1985 Stairs, Jr. .... D23/277
- D. 286,811 11/1986 Diamond ..... D23/281
- D. 287,397 12/1986 Cuttriss ..... D23/281
- 1,449,877 3/1923 Wolff ..... D23/277 X

*Primary Examiner*—James R. Largen  
*Attorney, Agent, or Firm*—Stroock & Stroock & Lavan

[57] **CLAIM**

The ornamental design for a bathtub rim, as shown and described.

**DESCRIPTION**

FIG. 1 is a perspective view, taken from the top, front and right side of a bathtub rim showing my new design; FIG. 2 is a top plan view thereof; FIG. 3 is a right side elevational view thereof; FIG. 4 is a rear elevational view thereof; FIG. 5 is a bottom plan view thereof; and, FIG. 6 is an enlarged sectional view taken along line 6-6 of FIG. 1.

The broken line representation of a bathtub in FIGS. 1 through 5 is for purposes of illustration only and forms no part of the claimed design.

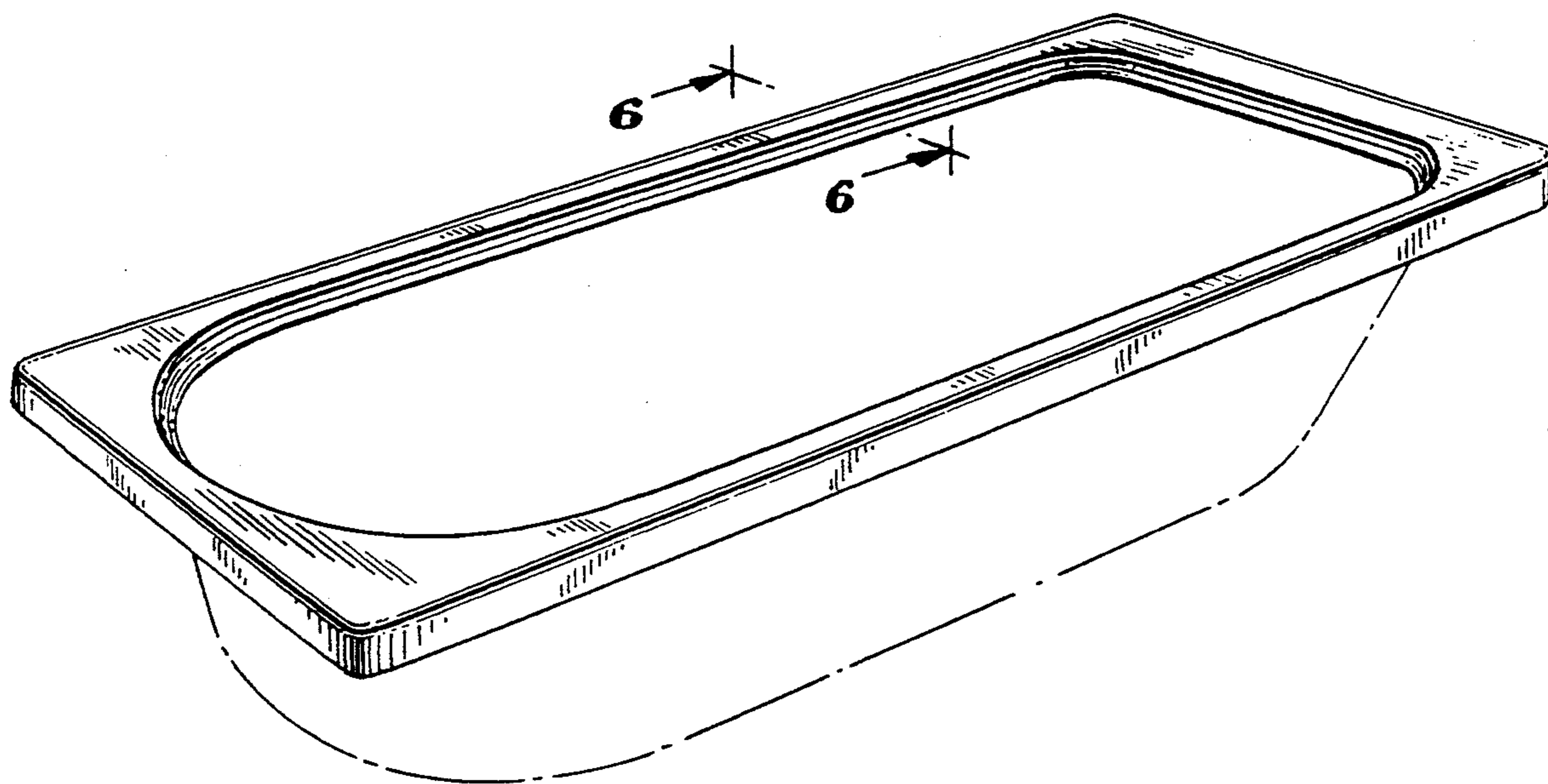


FIG. 1

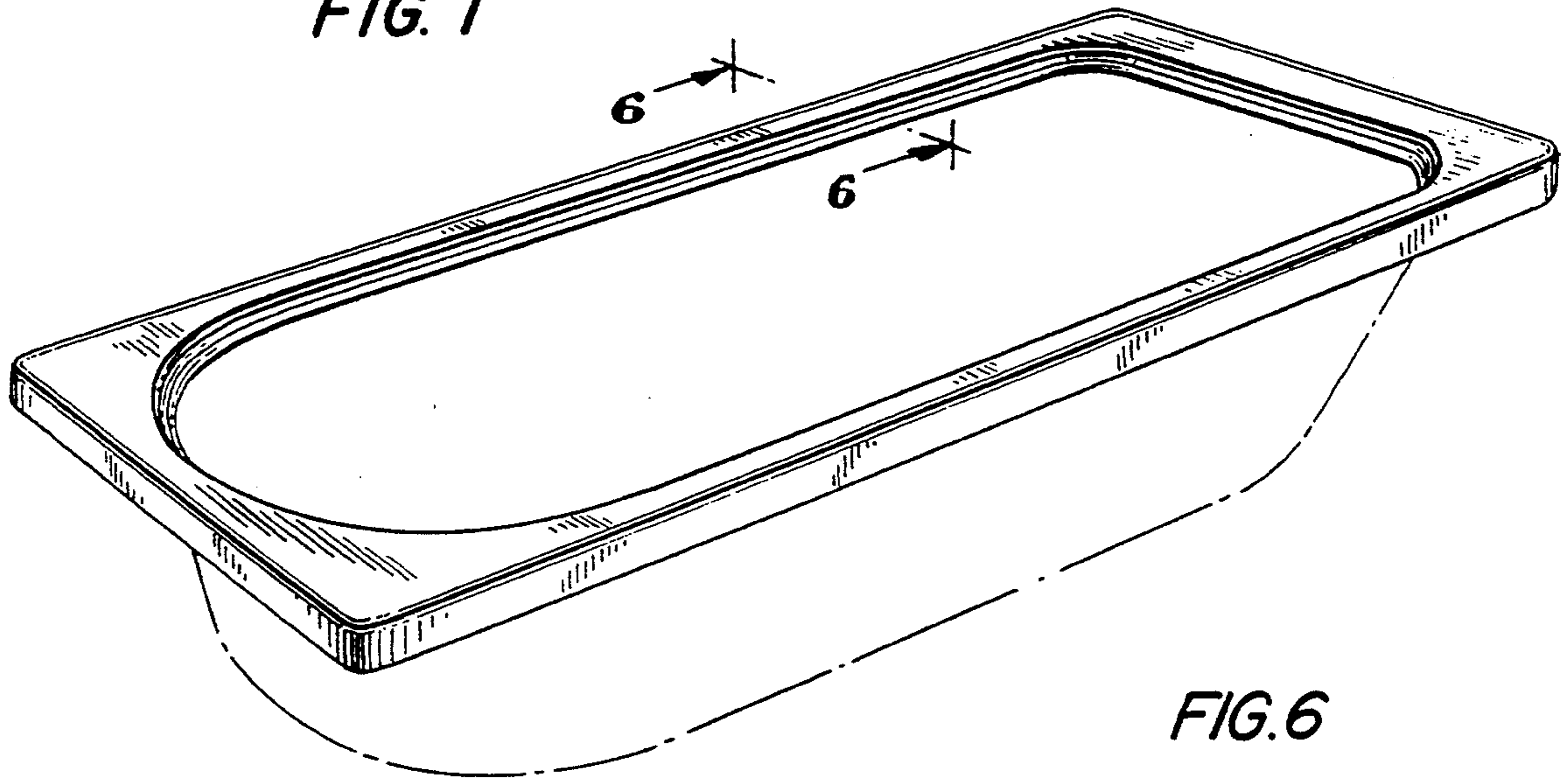


FIG. 6

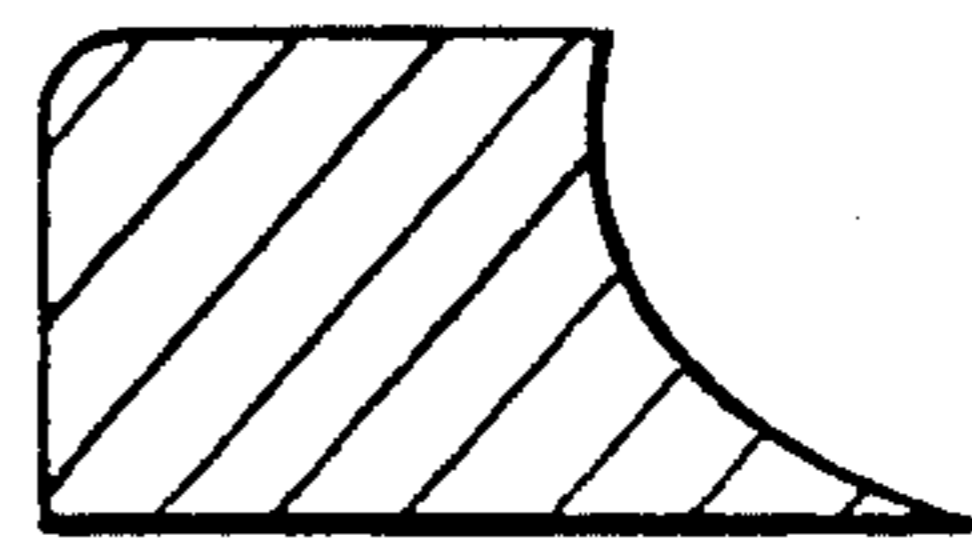
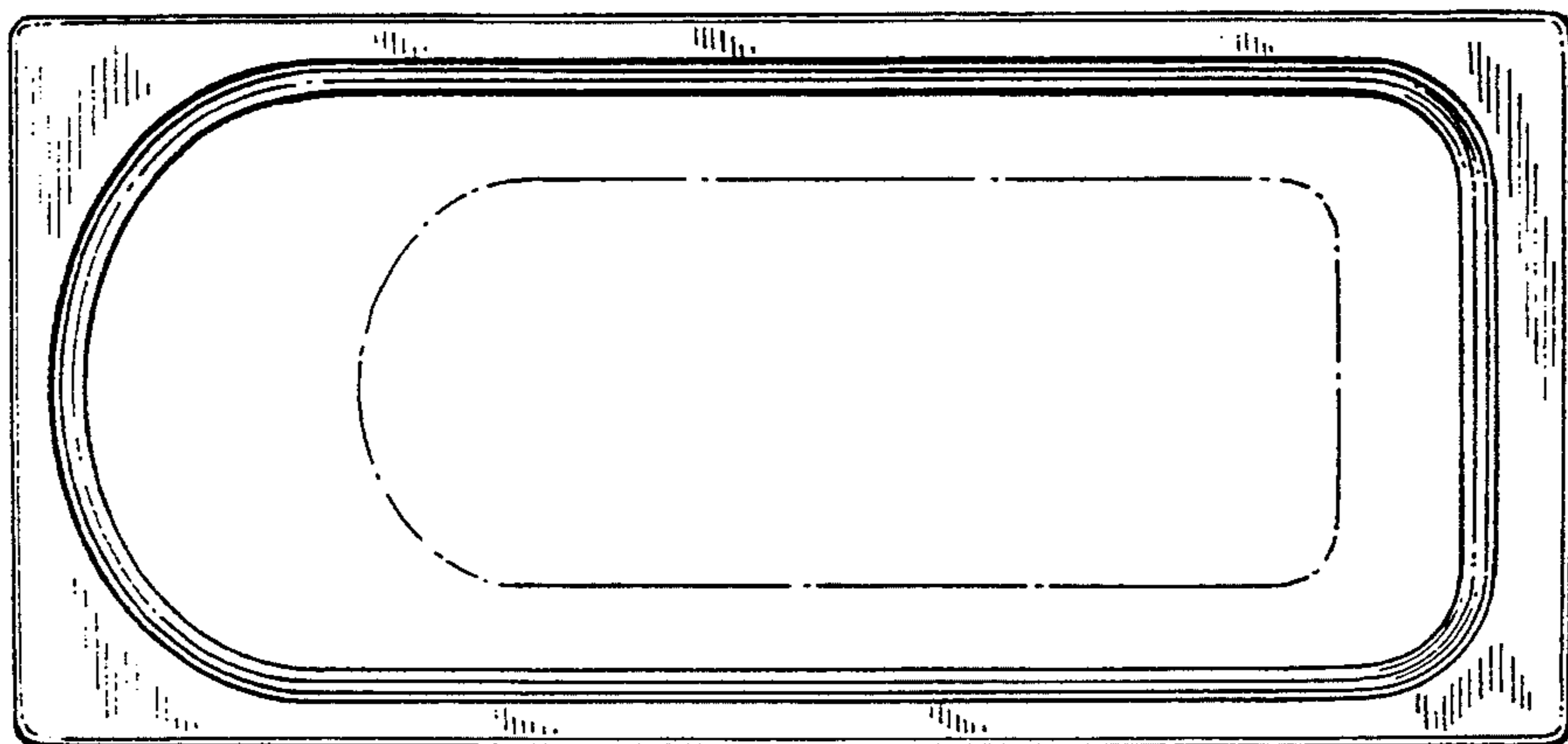
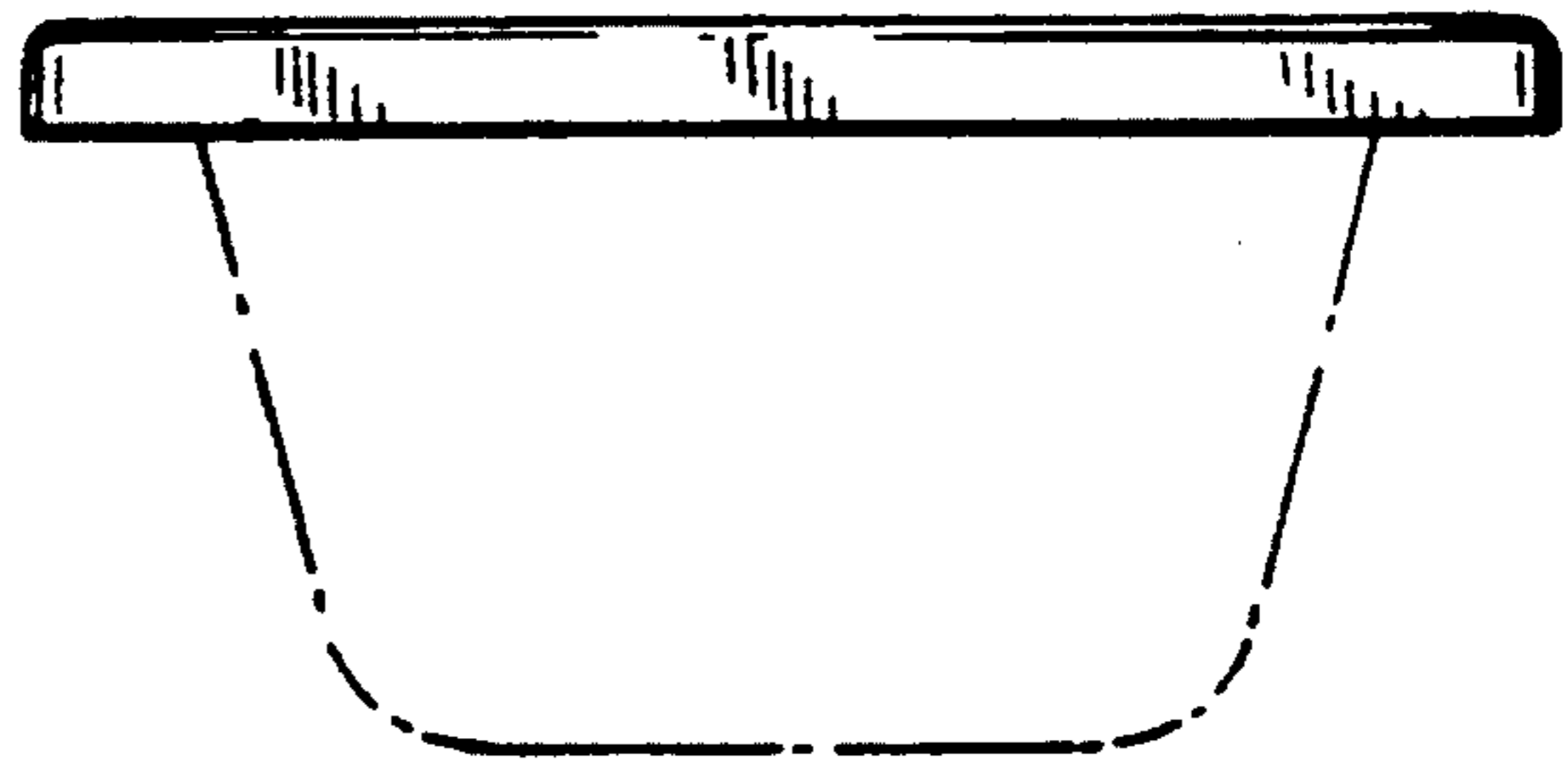


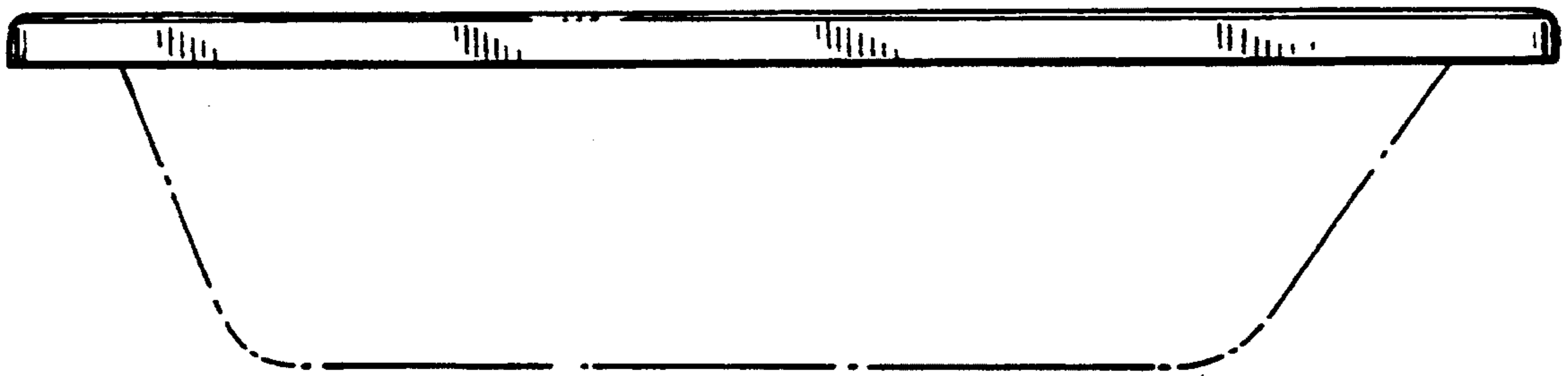
FIG. 2



**FIG. 3**



**FIG. 4**



**FIG. 5**

