



US00D355024S

United States Patent [19]

[11] Patent Number: **Des. 355,024**

Kawamura et al.

[45] Date of Patent: **** Jan. 31, 1995**

- [54] **BASIN**
- [75] Inventors: **Seijiro Kawamura; Noriko Yoshii,**
both of Fukuoka, Japan
- [73] Assignee: **Toto Ltd., Kitakyushu, Japan**
- [**] Term: **14 Years**
- [21] Appl. No.: **7,668**
- [22] Filed: **Apr. 29, 1993**

- D. 264,749 6/1982 Bengtson D23/292
- D. 266,577 10/1982 Kaiser D23/292
- D. 292,732 11/1987 Gates et al. D23/292
- D. 295,071 4/1988 Kohler, Jr. et al. D23/294

OTHER PUBLICATIONS

Pozzi-Ginori SPA Brochure, C 54004184 and C 54004175, 1979.

Primary Examiner—James R. Largent

[57] CLAIM

The ornamental design for a basin, as shown and described.

DESCRIPTION

FIG. 1 is a top plan view of a basin showing my new design;
 FIG. 2 is a bottom plan view thereof;
 FIG. 3 is a left side elevational view thereof;
 FIG. 4 is a right side elevational view thereof;
 FIG. 5 is a cross sectional view taken on line 5—5 of FIG. 1;
 FIG. 6 is a cross sectional view taken on line 6—6 of FIG. 1;
 FIG. 7 is a front elevational view thereof; and,
 FIG. 8 is a rear elevational view thereof.

Related U.S. Application Data

- [63] Continuation-in-part of Ser. No. 862,239, Mar. 31, 1992.

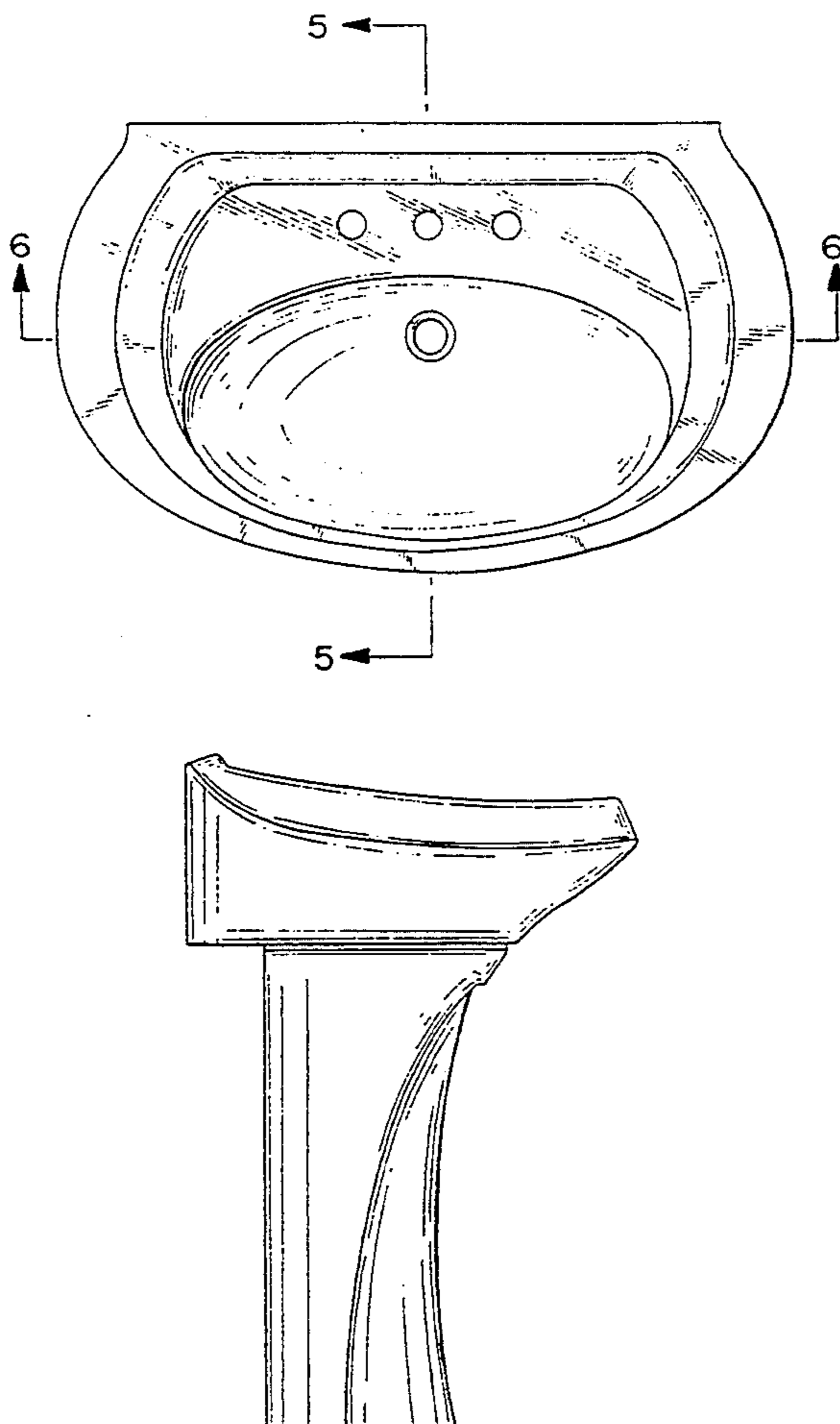
[30] Foreign Application Priority Data

- Nov. 21, 1991 [JP] Japan 3-35169
- [52] U.S. Cl. **D23/292**
- [58] Field of Search D23/284-294;
4/619, 631, 638-643, 646, 656

[56] References Cited

U.S. PATENT DOCUMENTS

- D. 202,410 9/1965 Sundberg et al. D23/294
- D. 258,906 4/1981 Doman D23/292
- D. 261,929 11/1981 Primault D23/292



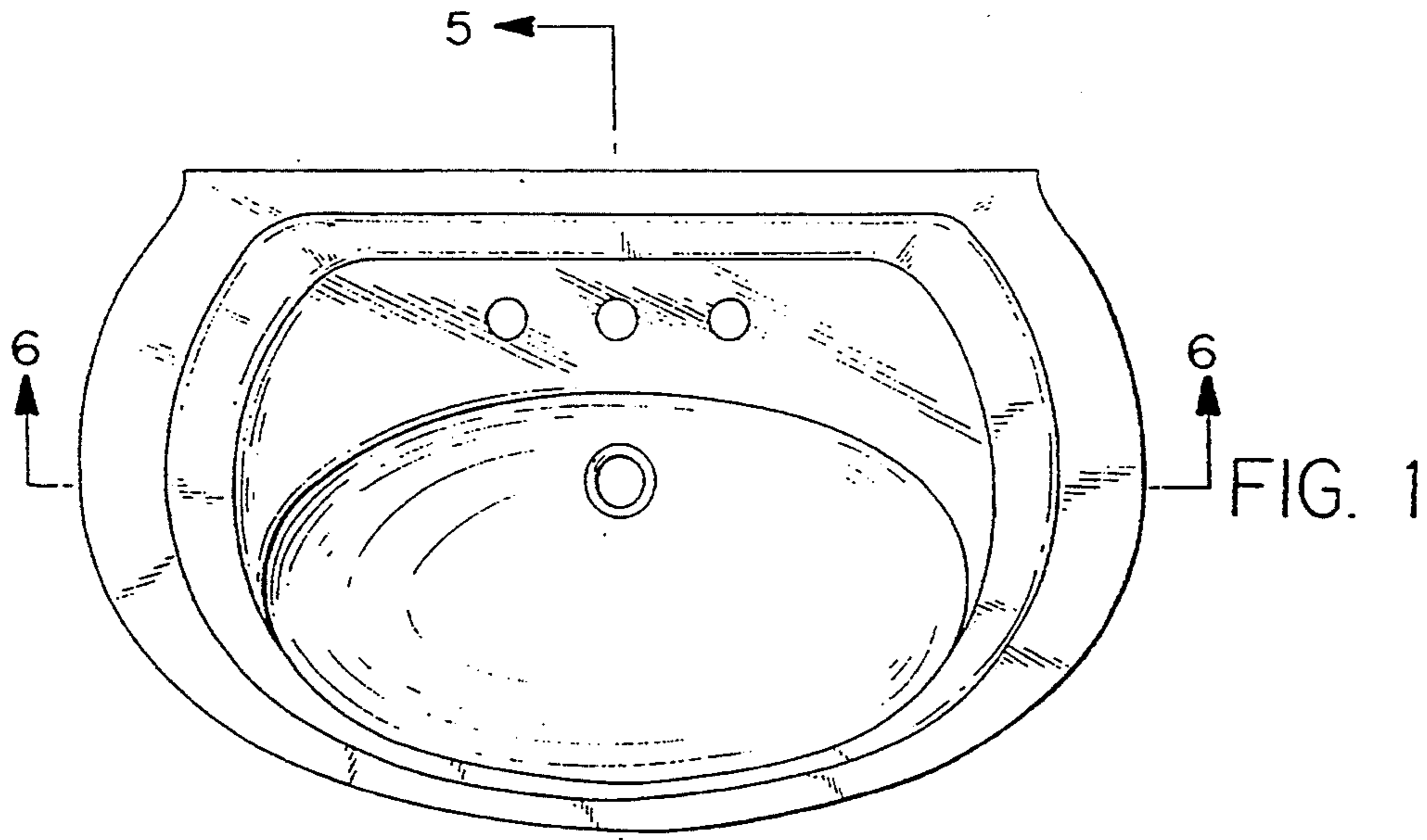
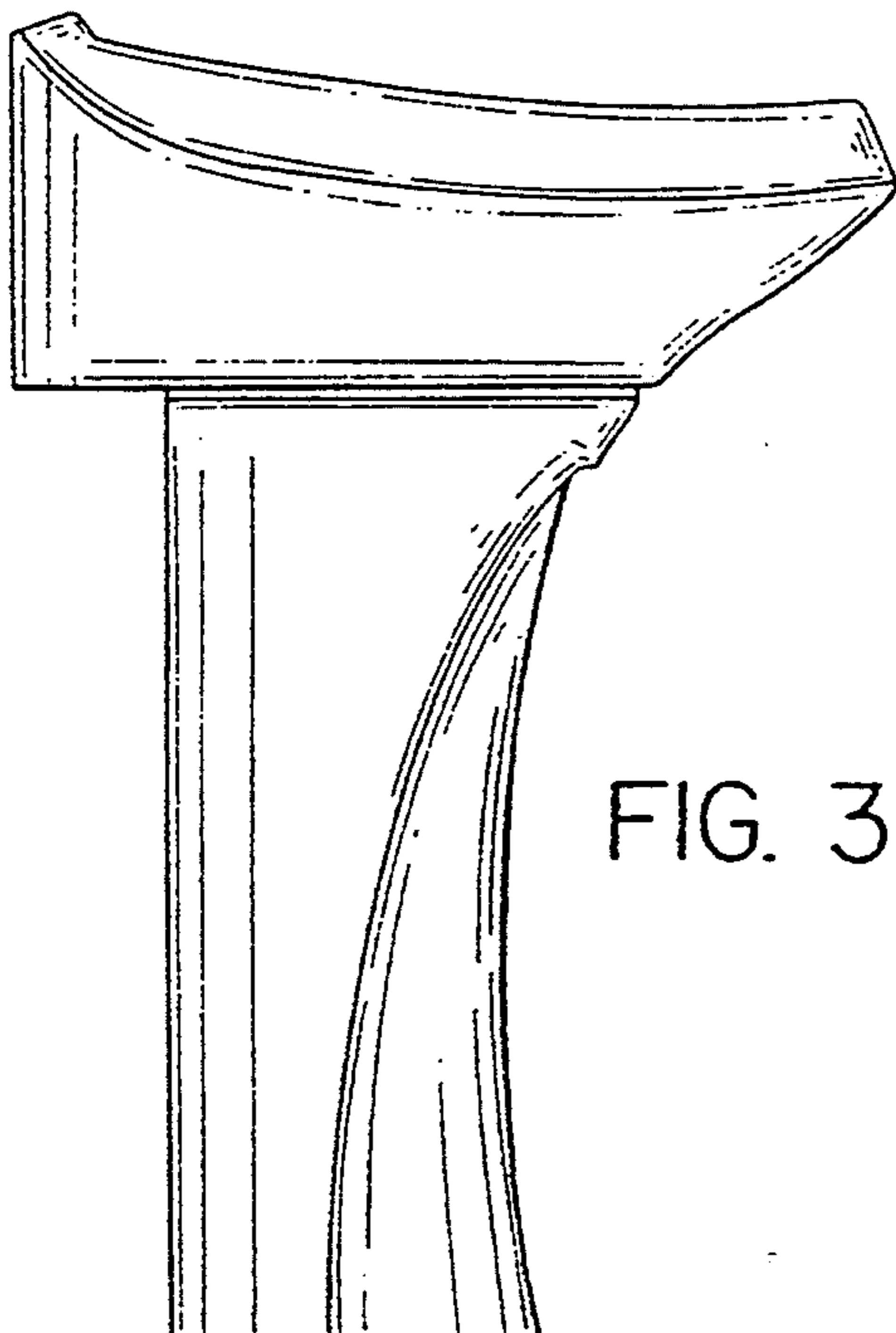
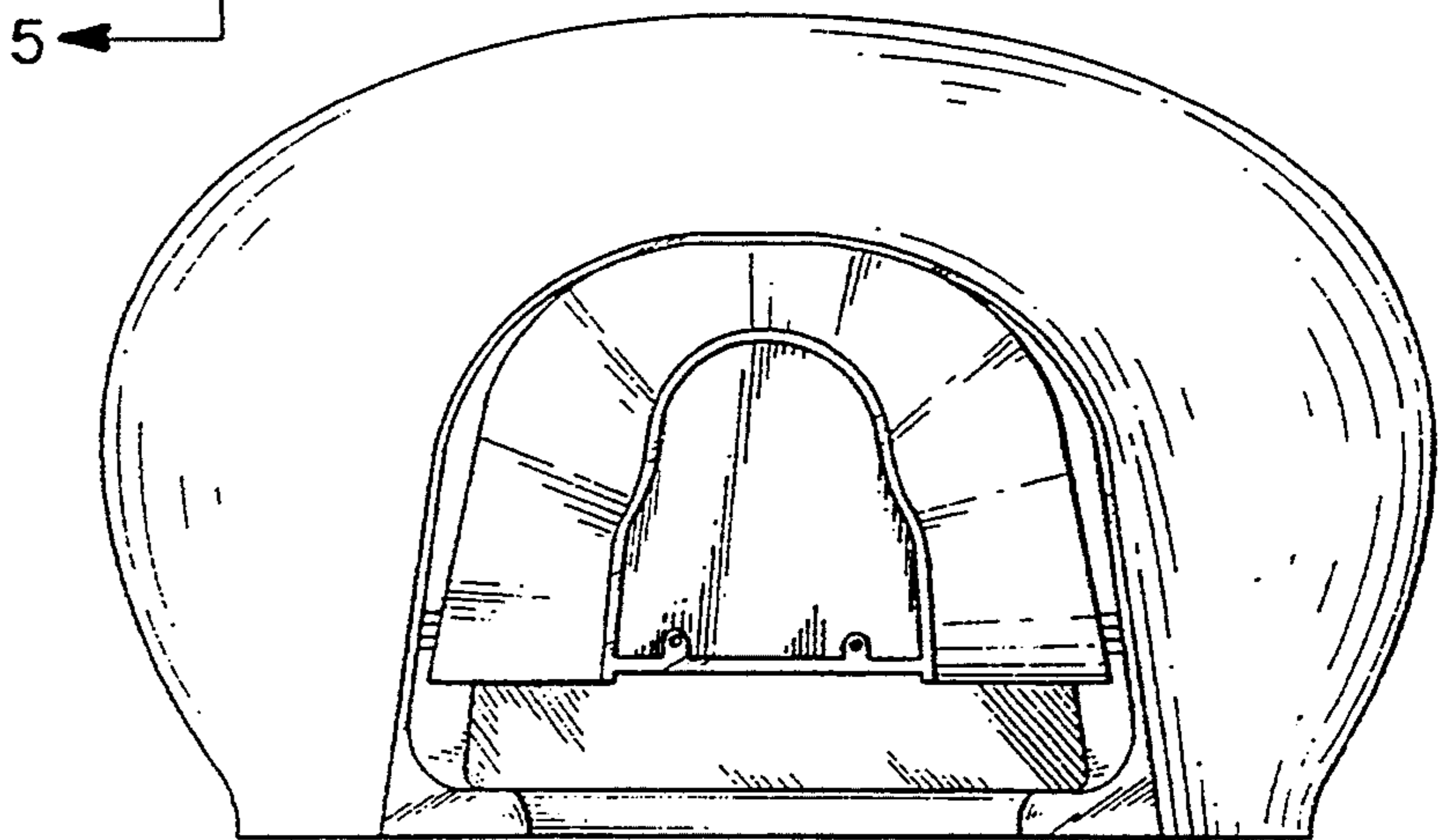


FIG. 2



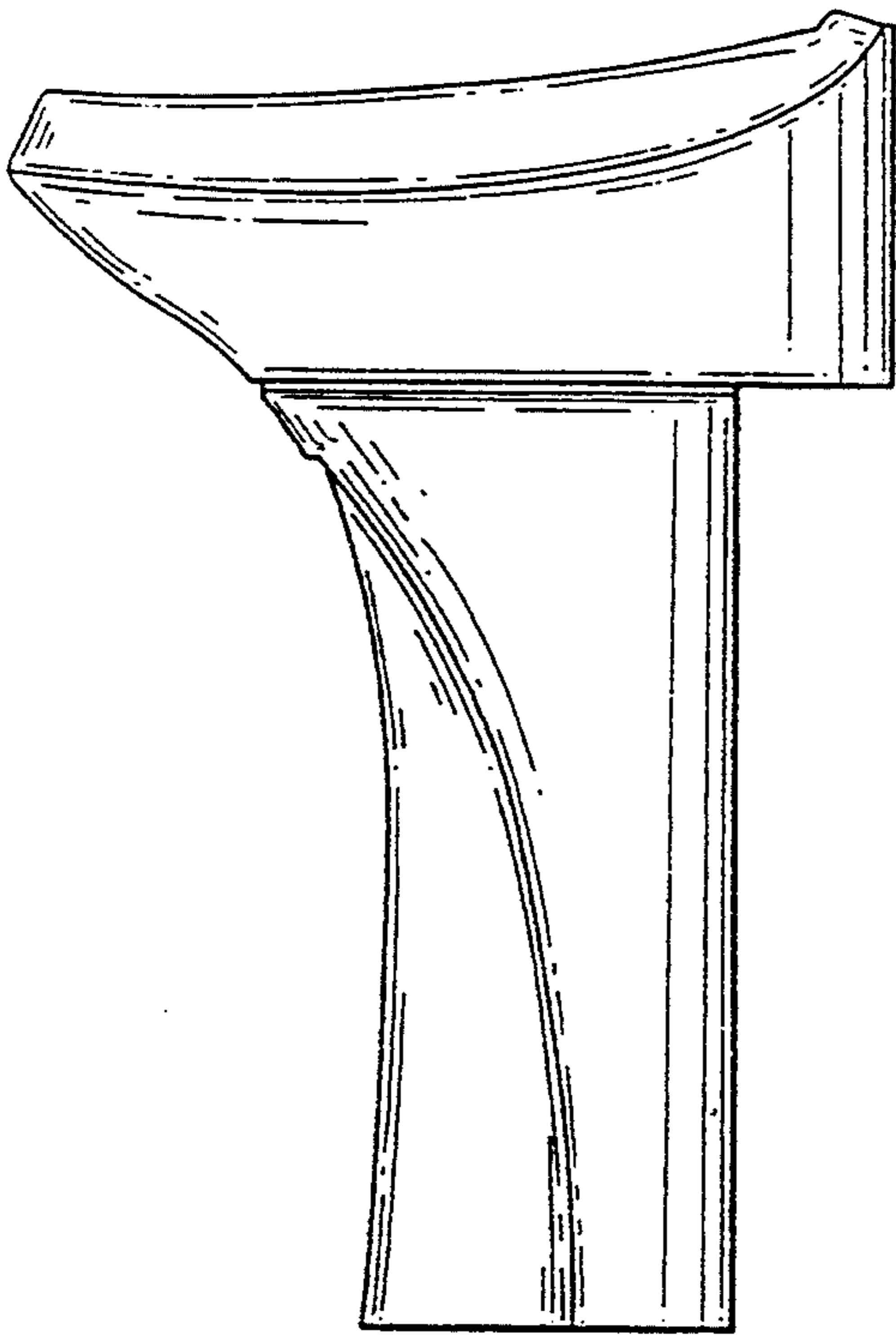


FIG. 4

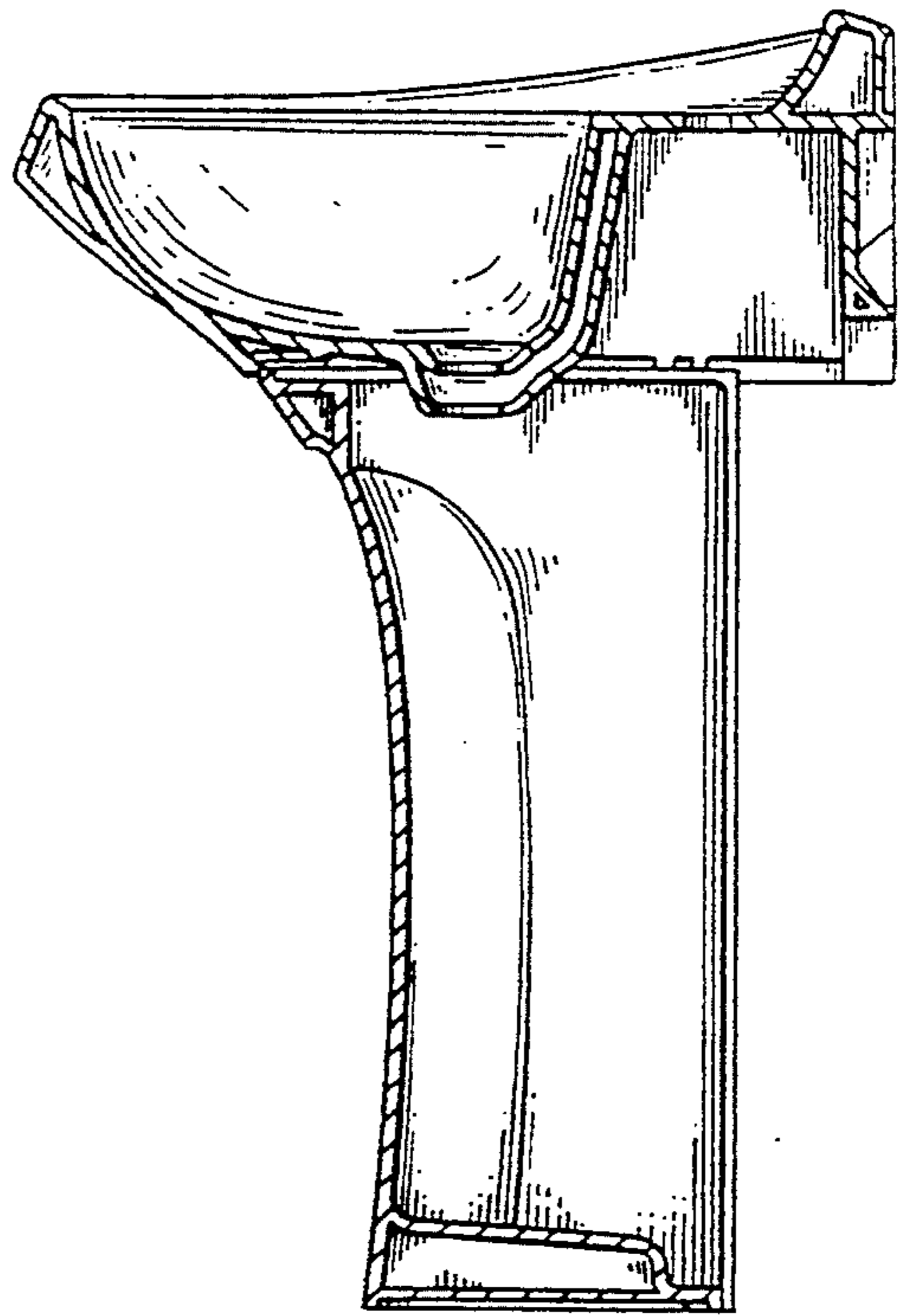


FIG. 5

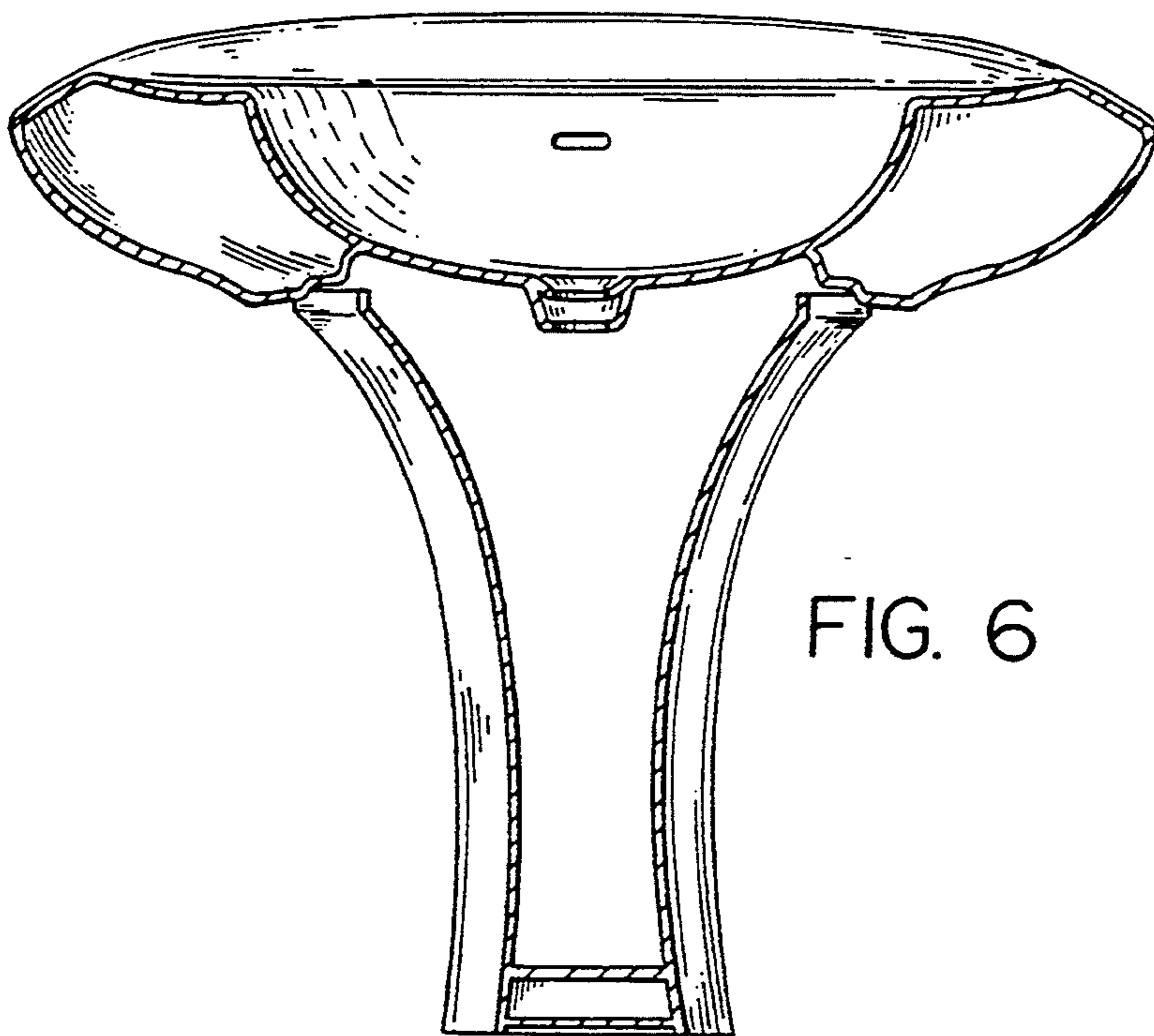


FIG. 6

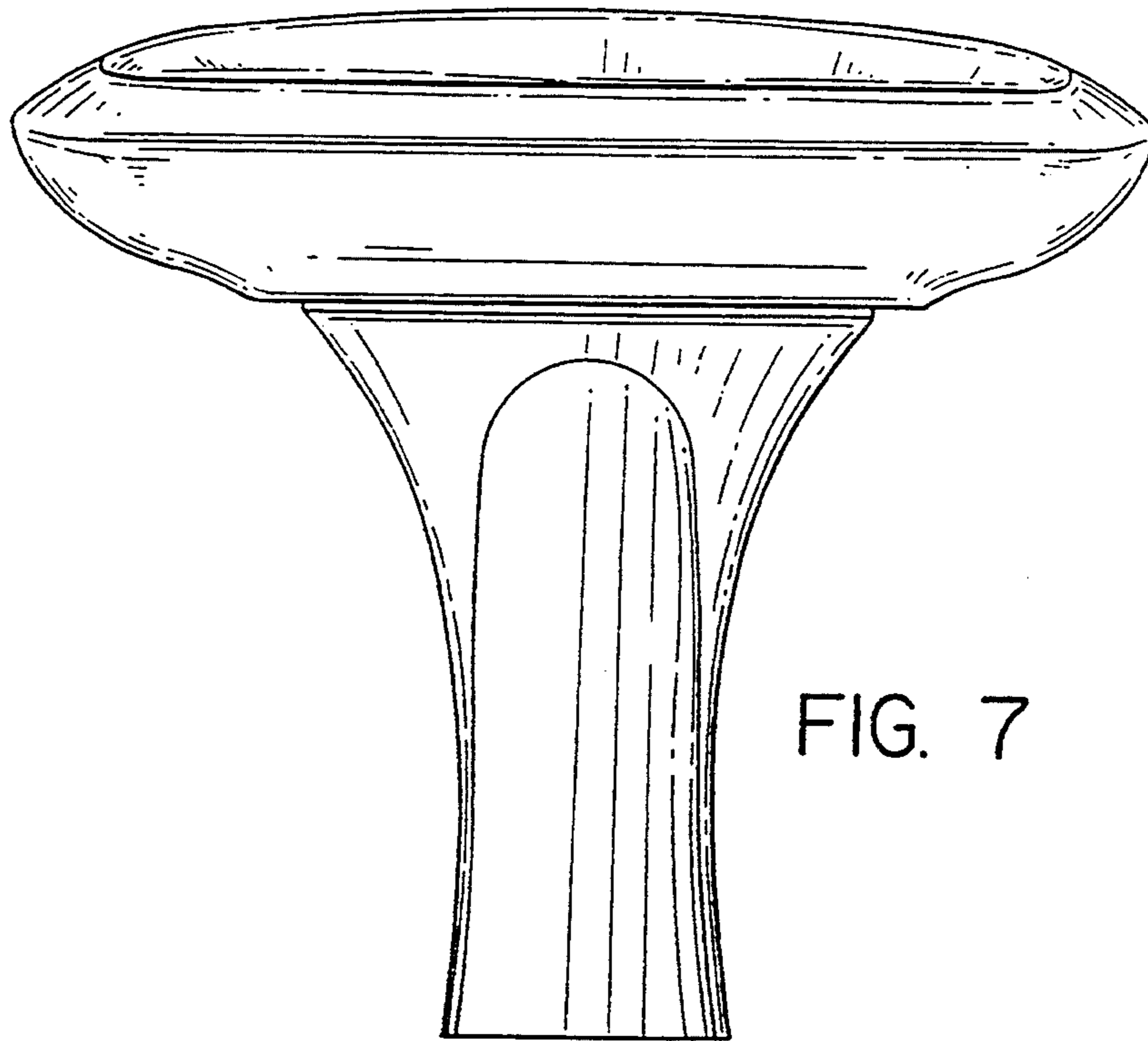


FIG. 7

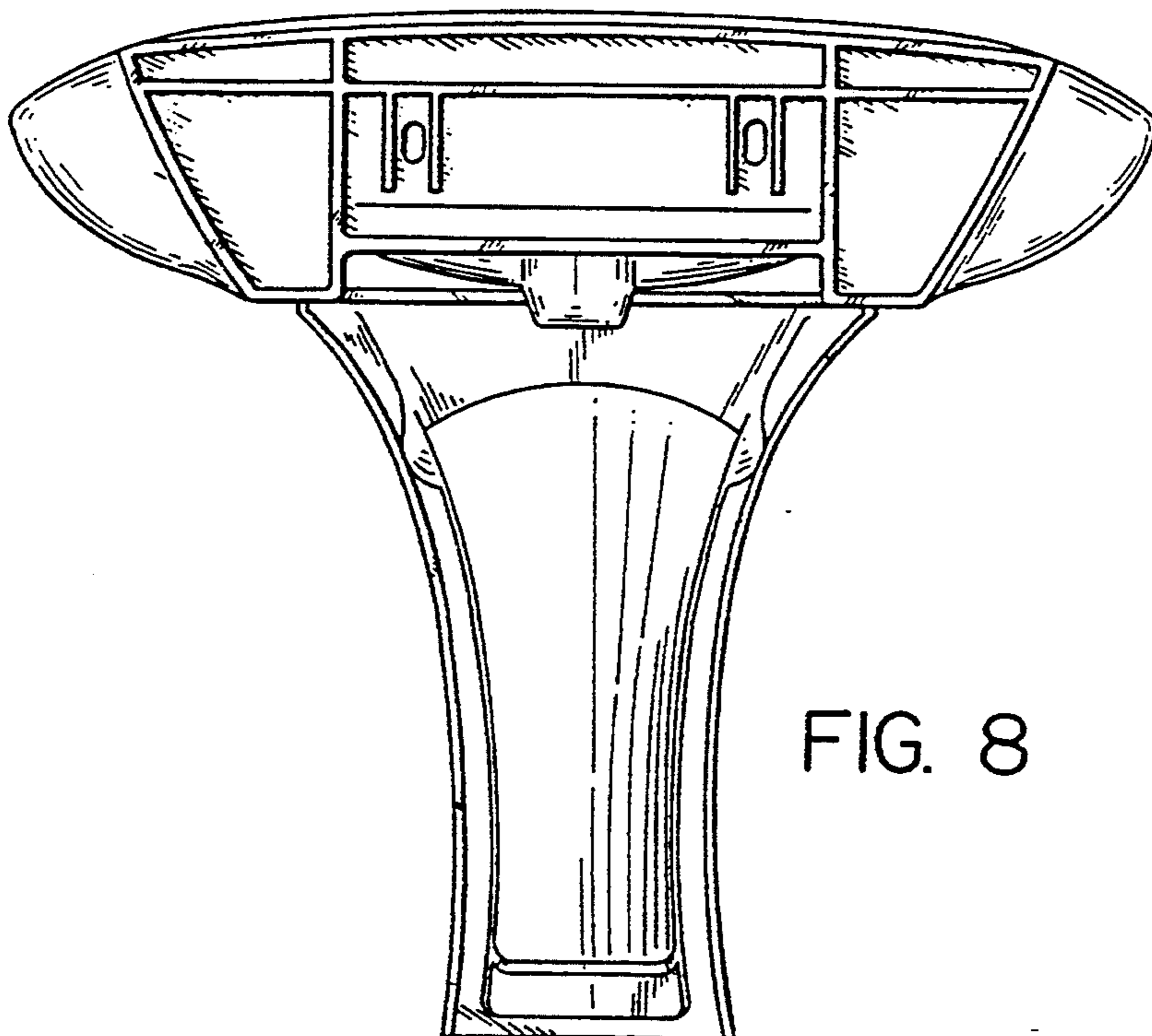


FIG. 8