



US00D355019S

# United States Patent [19] Spanke

[11] Patent Number: **Des. 355,019**

[45] Date of Patent: **\*\* Jan. 31, 1995**

[54] **FERTILIZER DISPENSER**

5,181,533 1/1993 Kooi ..... 137/268  
5,298,158 3/1994 Anderson ..... 210/232

[76] Inventor: **Terrence Spanke**, 23624 Zerita,  
Warren, Mich. 48091

*Primary Examiner*—Wallace R. Burke  
*Assistant Examiner*—M. Brown  
*Attorney, Agent, or Firm*—Terry M. Gernstein

[\*\*] Term: **14 Years**

[21] Appl. No.: **11,430**

[57] **CLAIM**

[22] Filed: **Aug. 5, 1993**

The ornamental design for a fertilizer dispenser, as shown and described.

[52] U.S. Cl. .... **D23/207**

[58] Field of Search ..... D23/207, 1; 137/268;  
210/266, 445, 446; 47/48.5 R; 339/275, 282,  
283, 285, 310

**DESCRIPTION**

[56] **References Cited**

**U.S. PATENT DOCUMENTS**

D. 291,112	7/1987	Clevis Franco et al. ....	D23/207
D. 309,652	7/1990	Chalberg et al. ....	D23/207
4,340,179	7/1982	Knopp .....	47/48.5 R
4,898,202	2/1990	Craig .....	137/268
4,936,335	6/1990	Macon .....	137/268
4,957,134	9/1990	Craig .....	137/268

FIG. 1 is a front, top and side perspective view of the fertilizer dispenser showing my new design, the water supply hose being shown broken away for the sake of convenience of illustration;

FIG. 2 is a front elevational view thereof;

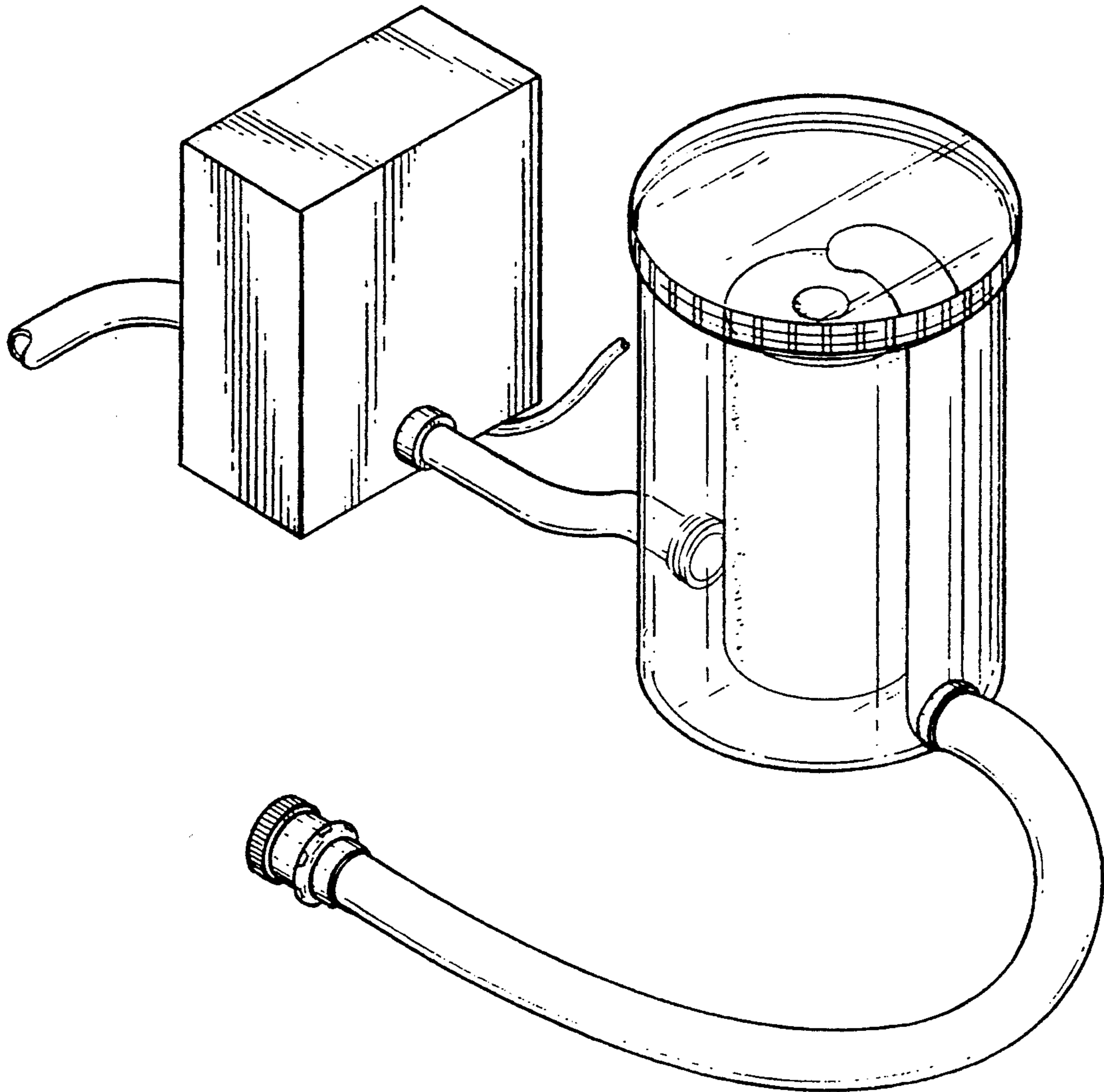
FIG. 3 is a rear elevational view thereof;

FIG. 4 is a side elevational view thereof;

FIG. 5 is an opposite side elevational view thereof;

FIG. 6 is a top plan view thereof; and,

FIG. 7 is a bottom plan view thereof.



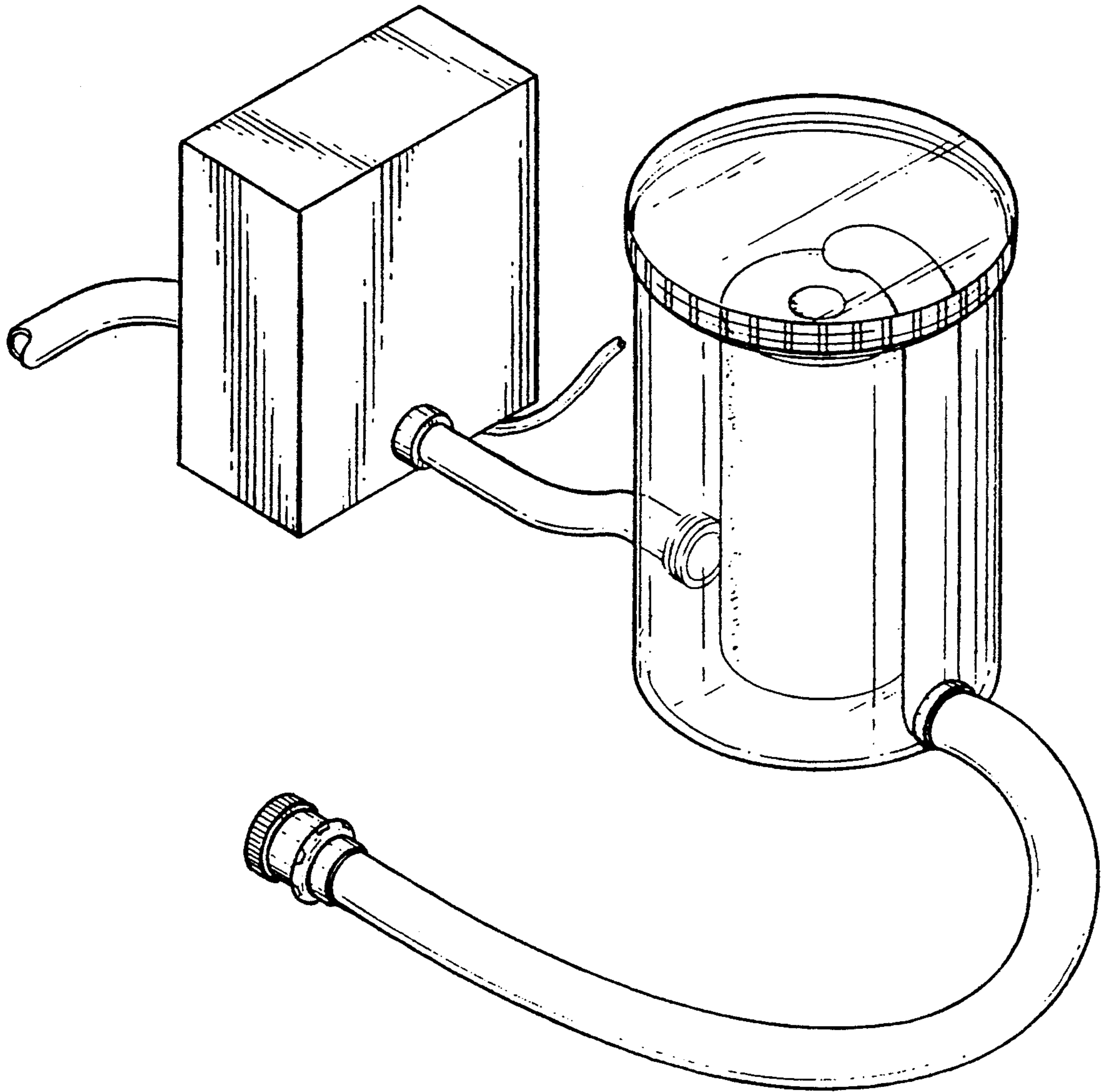


FIG. 1

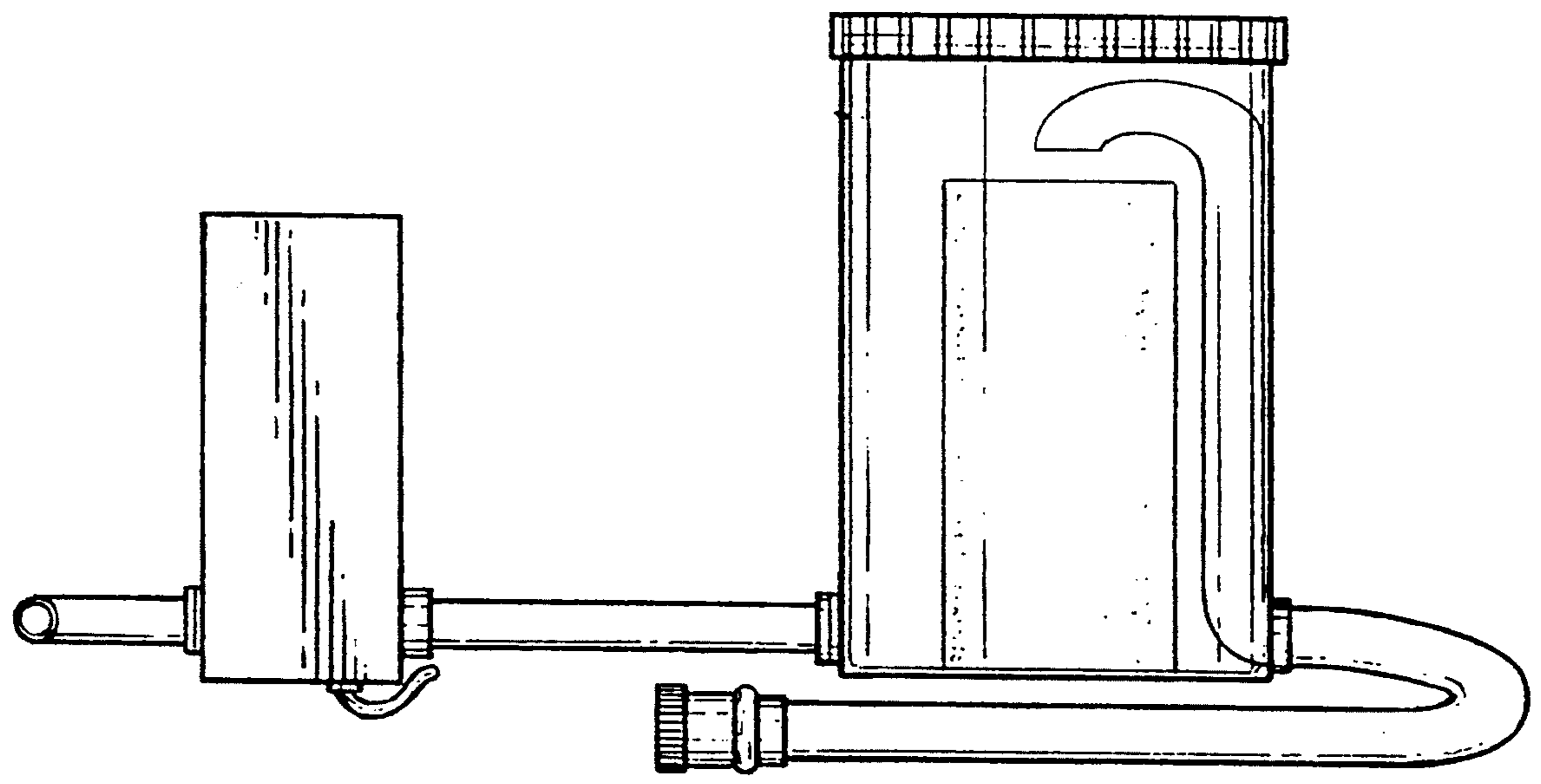


FIG. 2

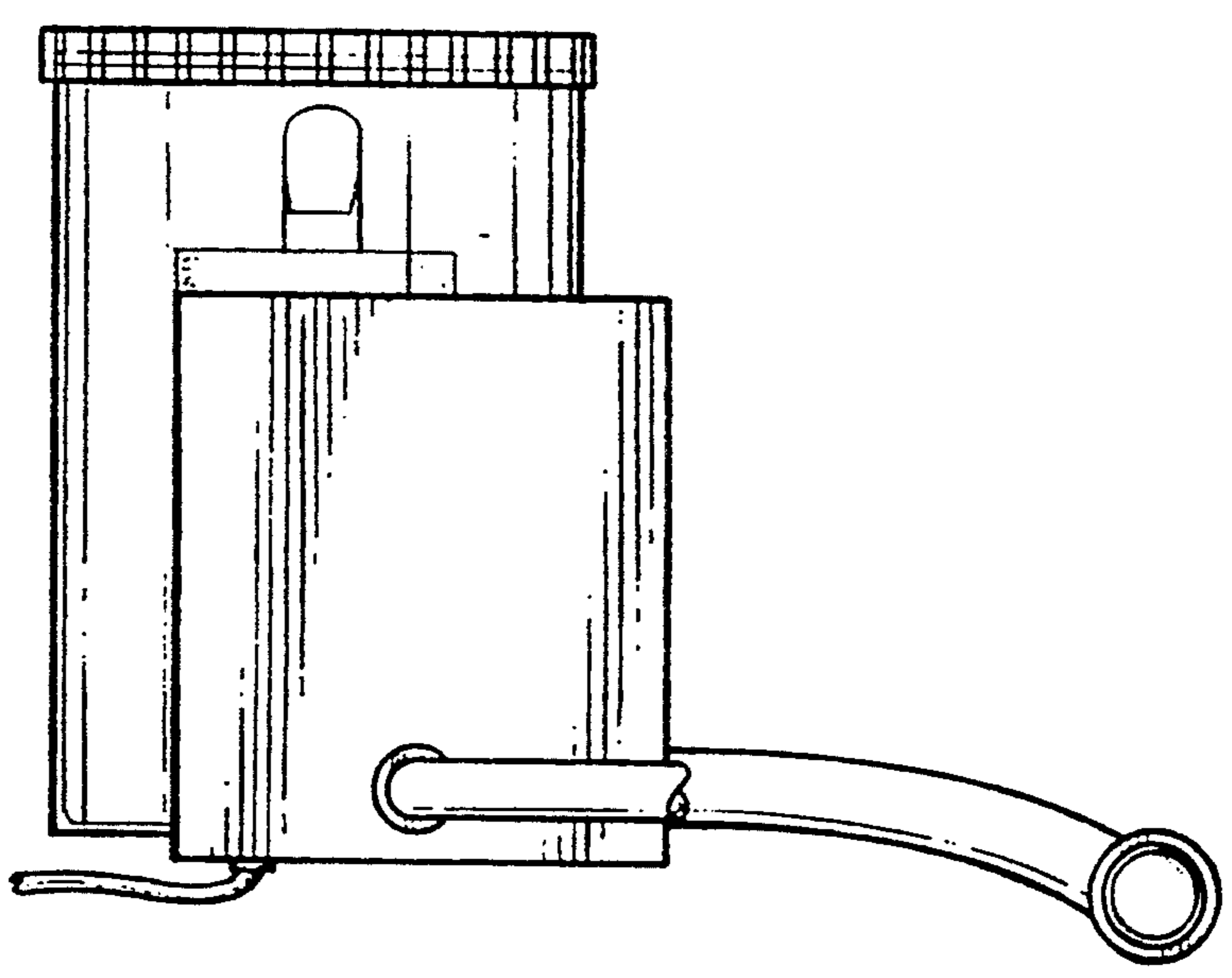


FIG. 4

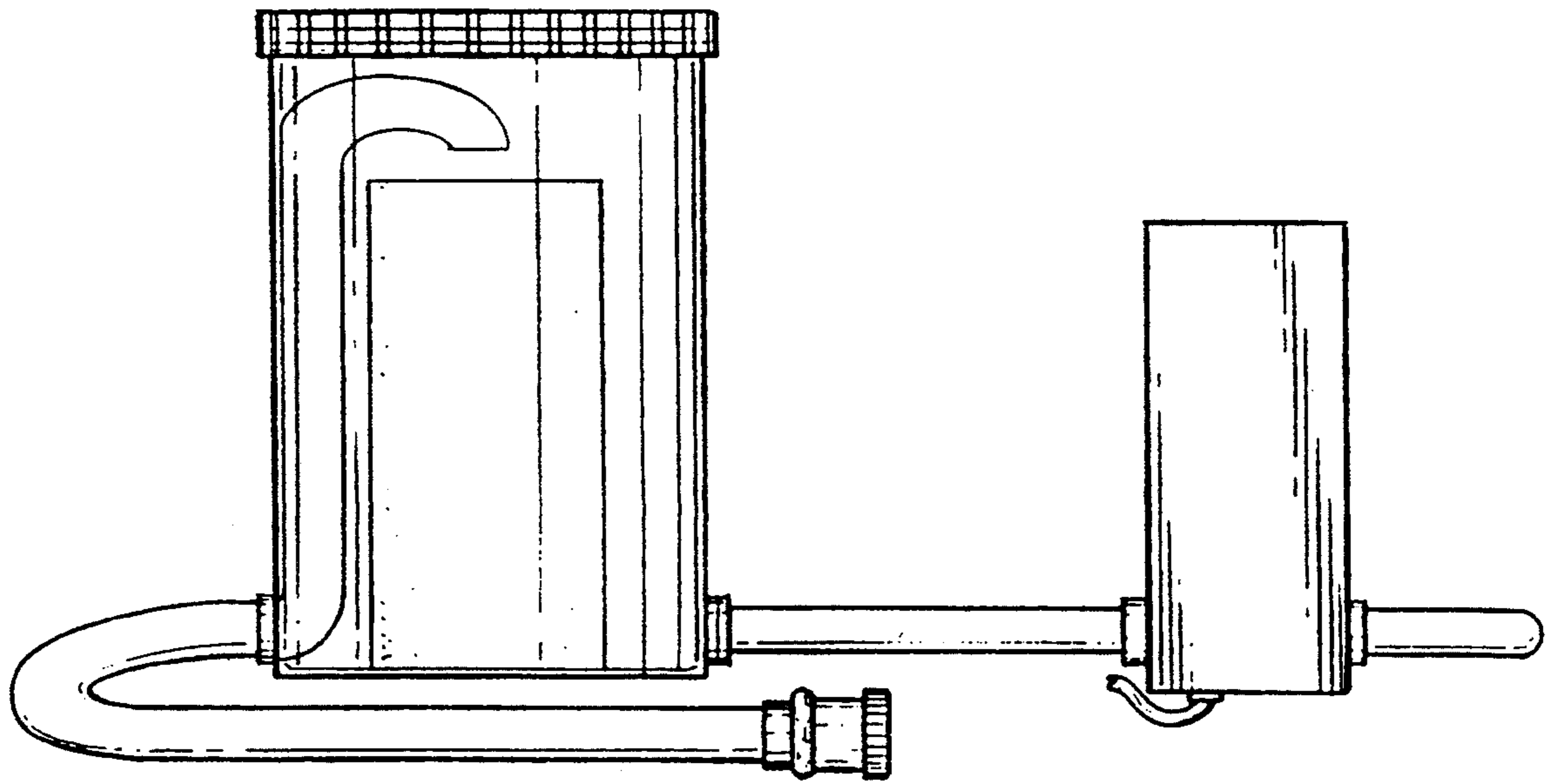


FIG. 3

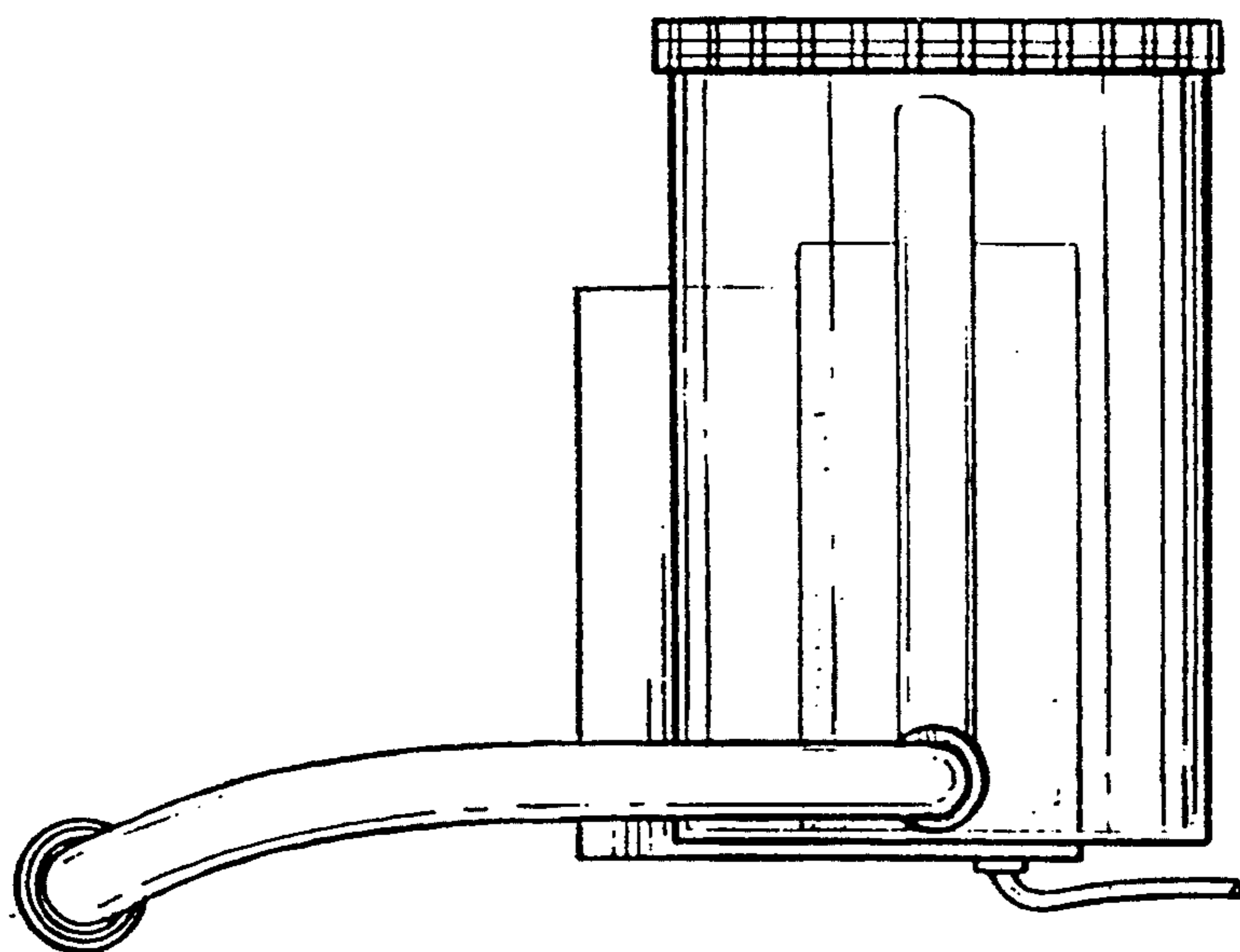


FIG. 5

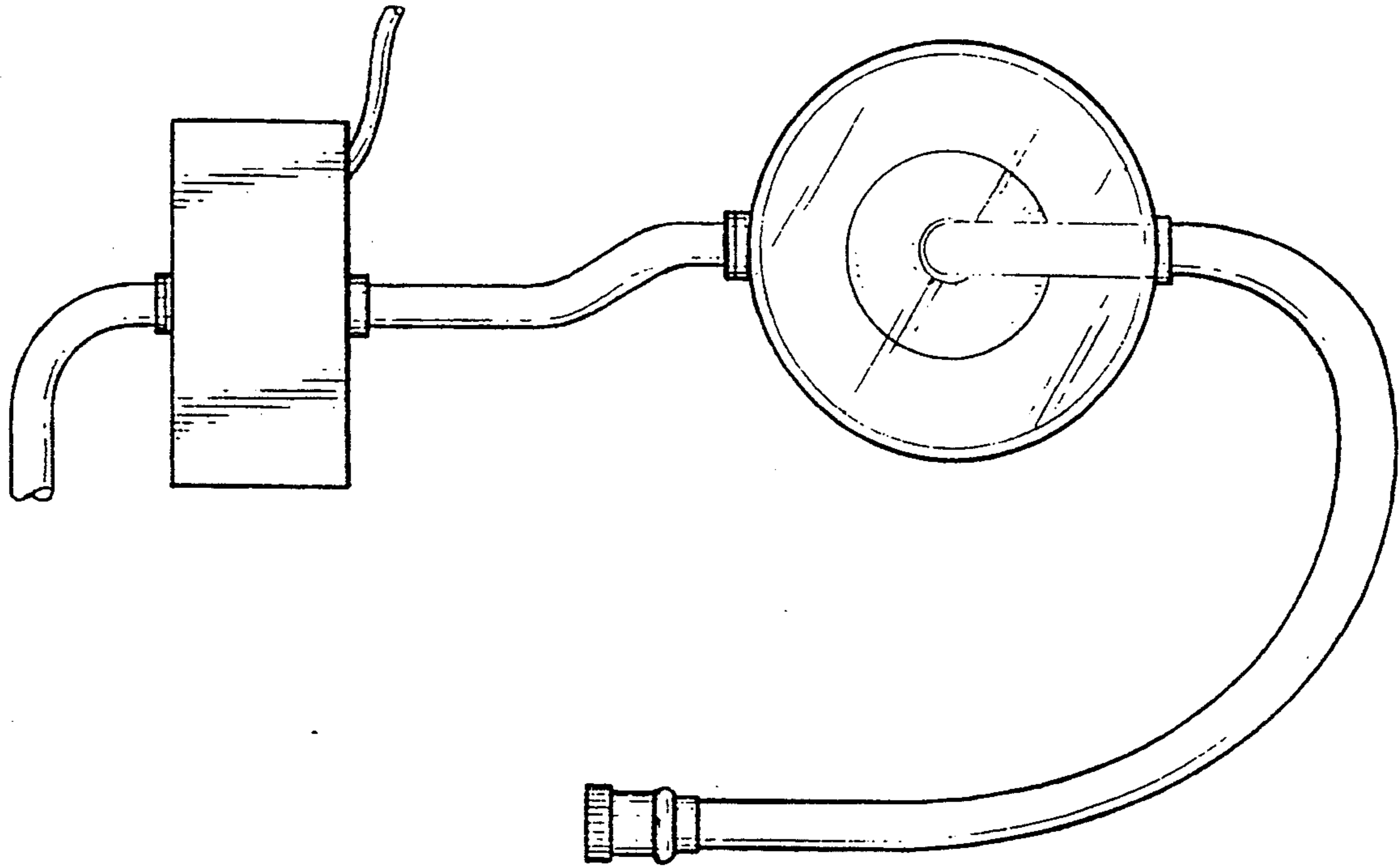


FIG. 6

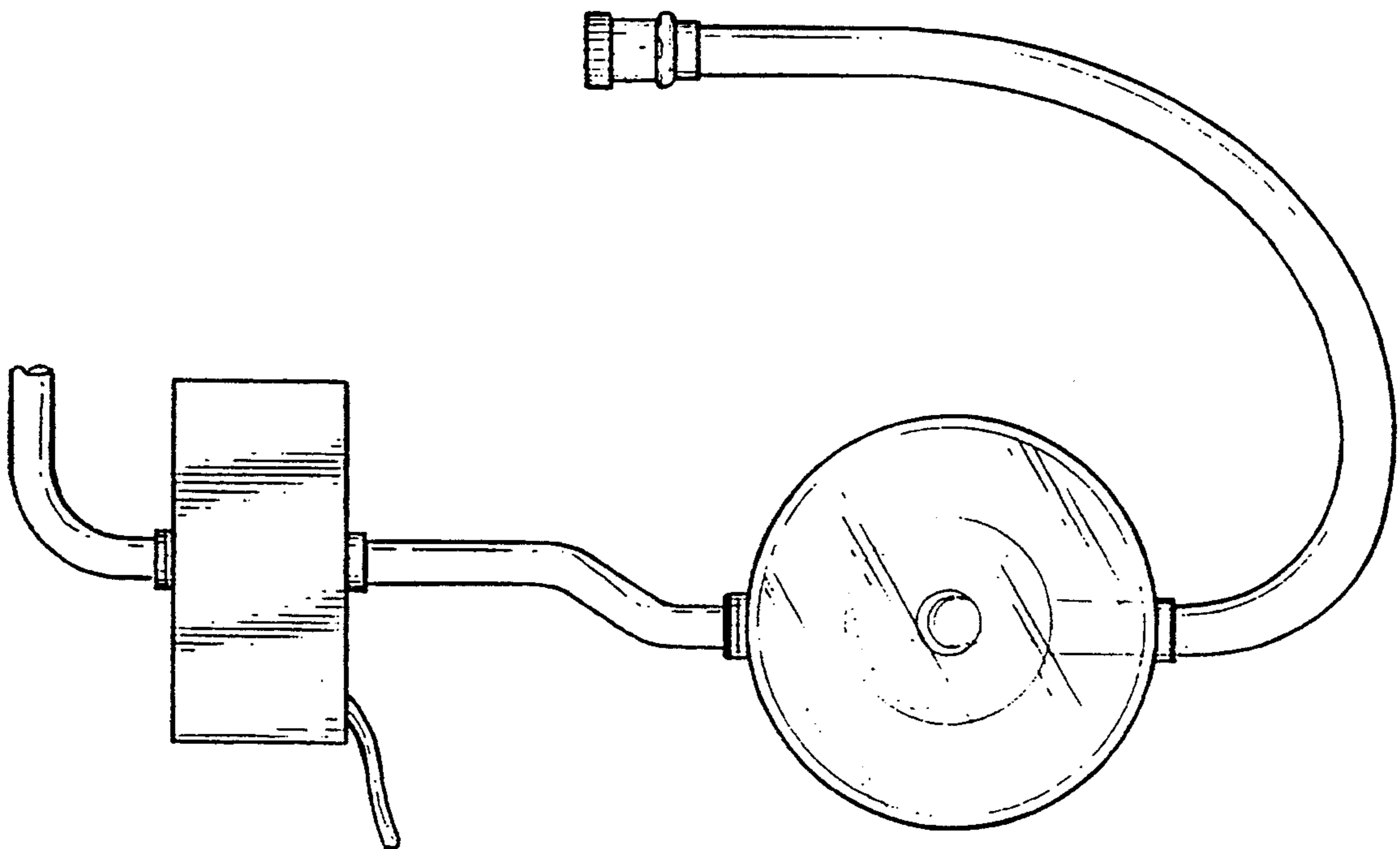


FIG. 7