



US00D355016S

United States Patent [19]

[11] Patent Number: **Des. 355,016**

Furomoto

[45] Date of Patent: **** Jan. 31, 1995**

[54] **ROTARY FRAME FOR SPINNING REEL**

D. 329,907 9/1992 Yui D22/141
5,246,186 9/1993 Sugawara 242/232

[75] Inventor: **Yoshiyuki Furomoto, Osaka, Japan**

Primary Examiner—A. Hugo Word

[73] Assignee: **Shimano Inc., Osaka, Japan**

Assistant Examiner—Doris V. Coles

[**] Term: **14 Years**

Attorney, Agent, or Firm—Dickstein, Shapiro & Morin

[21] Appl. No.: **922,944**

[57] **CLAIM**

[22] Filed: **Jul. 31, 1992**

The ornamental design for a rotary frame for spinning reel, as shown and described.

[52] U.S. Cl. **D22/141**

DESCRIPTION

[58] Field of Search **D22/141, 140; 242/224, 242/230, 232, 233, 311**

FIG. 1 is a top plan view of a rotary frame for spinning reel, showing my new design;

[56] References Cited

U.S. PATENT DOCUMENTS

- D. 273,975 5/1984 Sakumoto et al. D22/141
- D. 285,823 9/1986 Iinuma et al. D22/141
- D. 327,112 6/1992 Myojo D22/141

FIG. 2 is a left side view thereof;

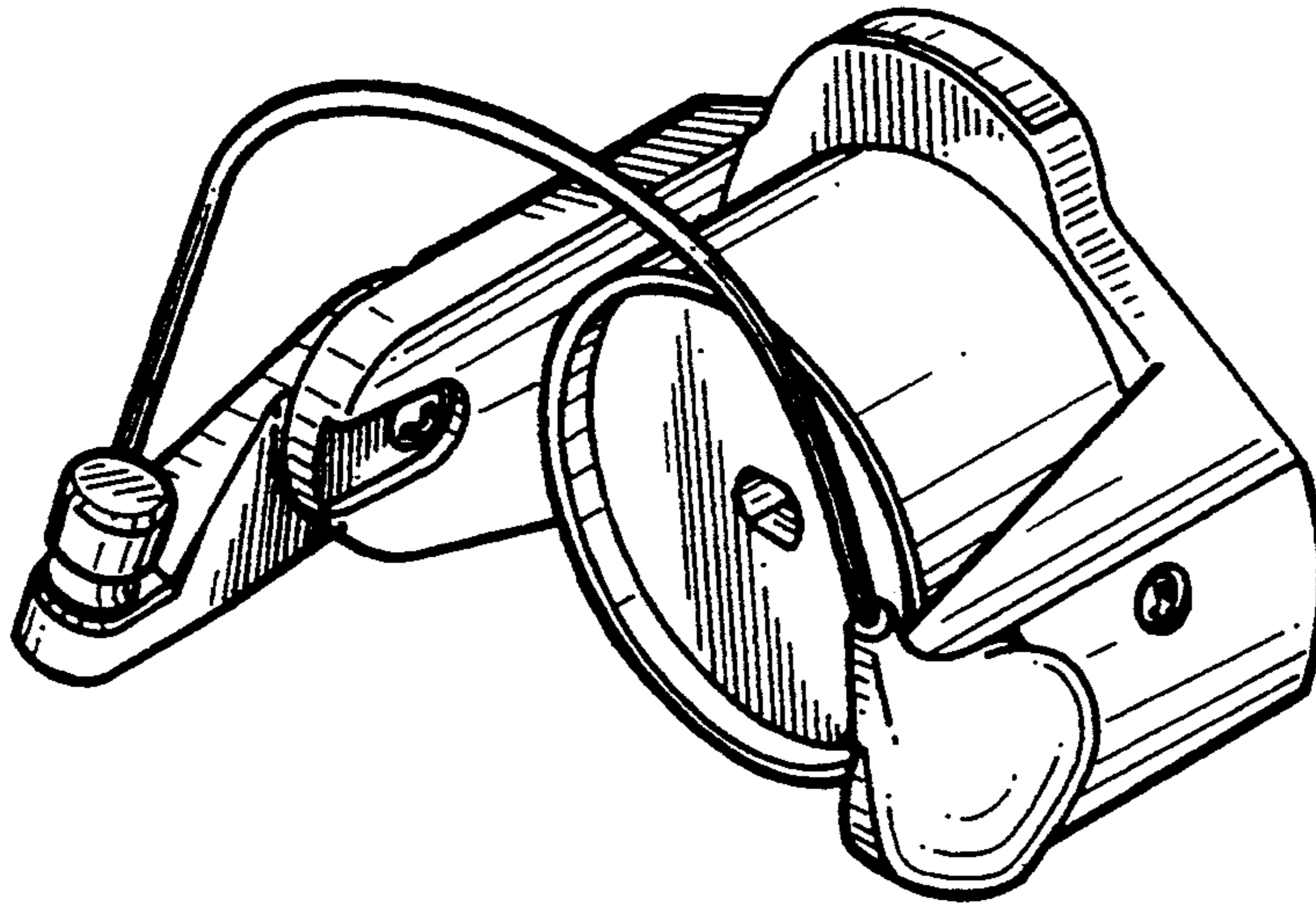
FIG. 3 is a right side view thereof;

FIG. 4 is a front view thereof;

FIG. 5 is a rear view thereof;

FIG. 6 is a top, front, perspective view thereof; and,

FIG. 7 is bottom view thereof.



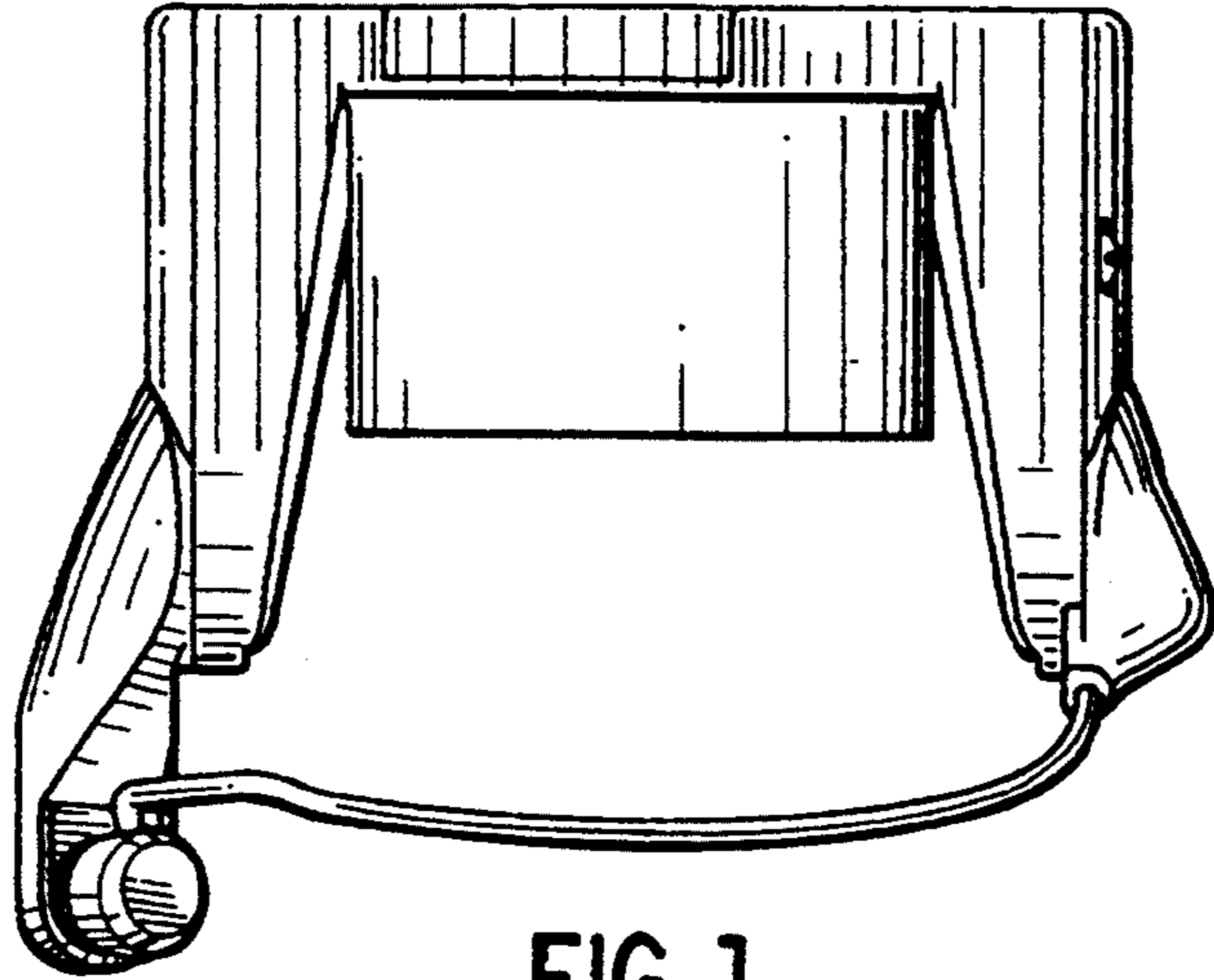


FIG. 1

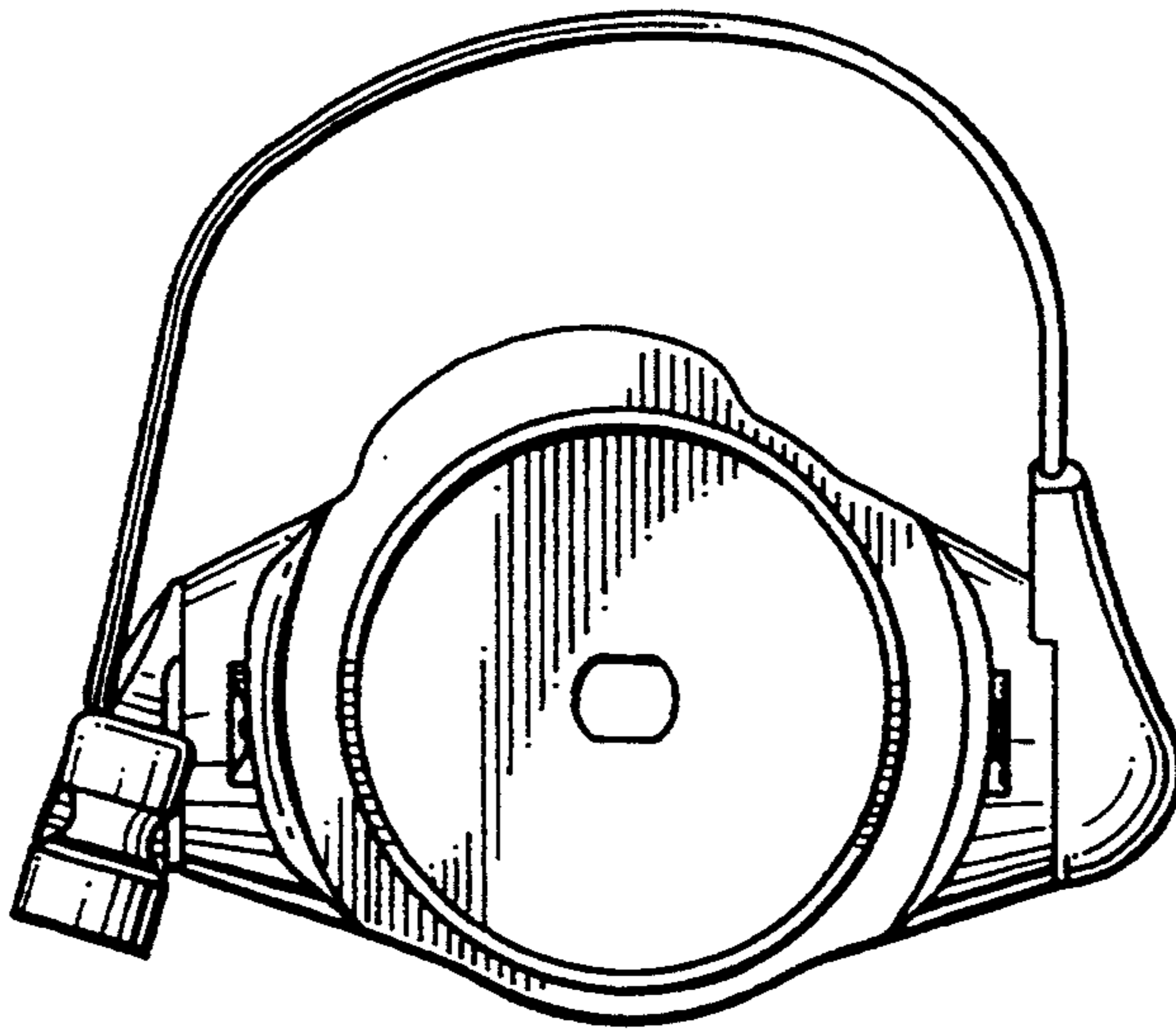


FIG. 4

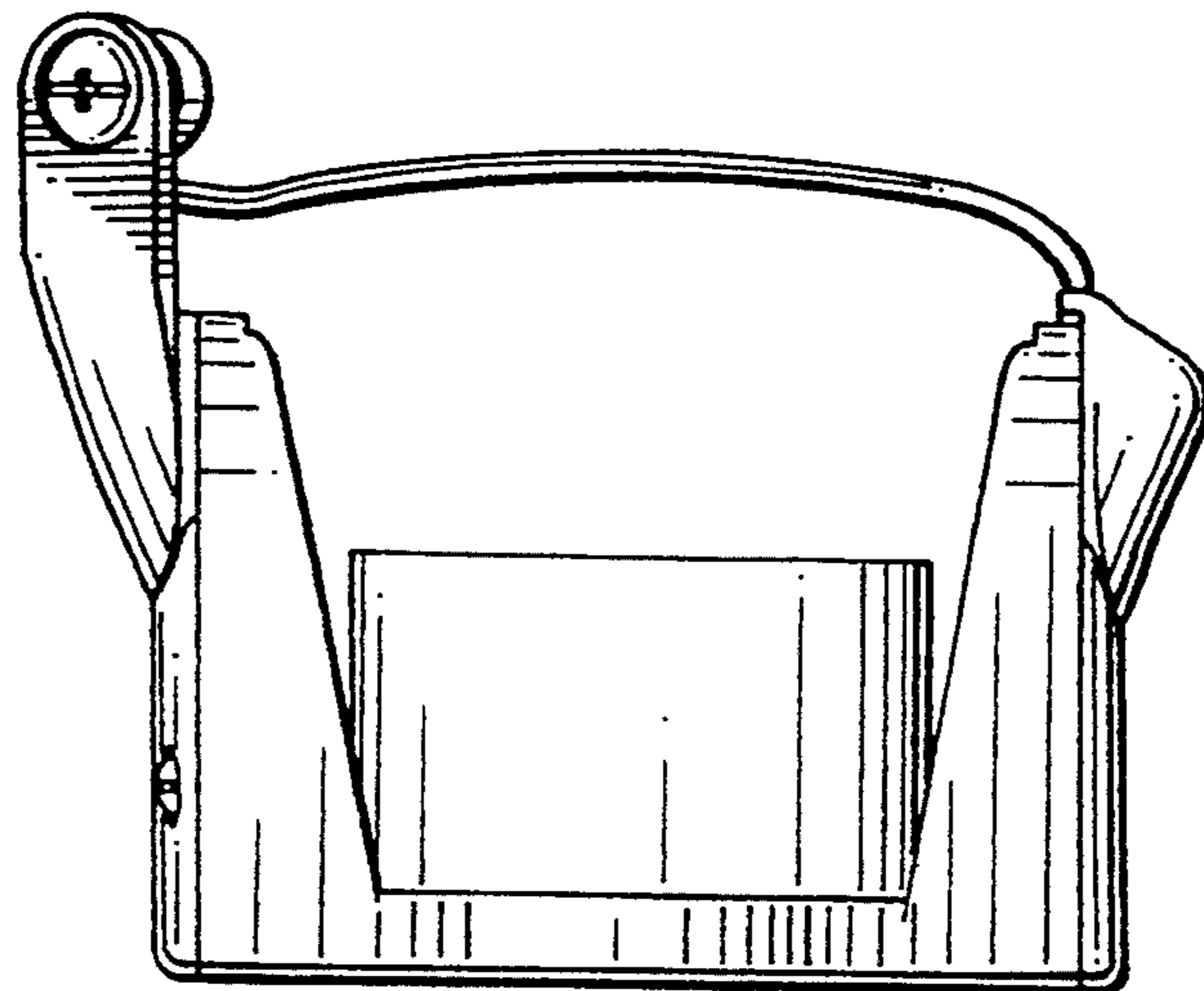


FIG. 7

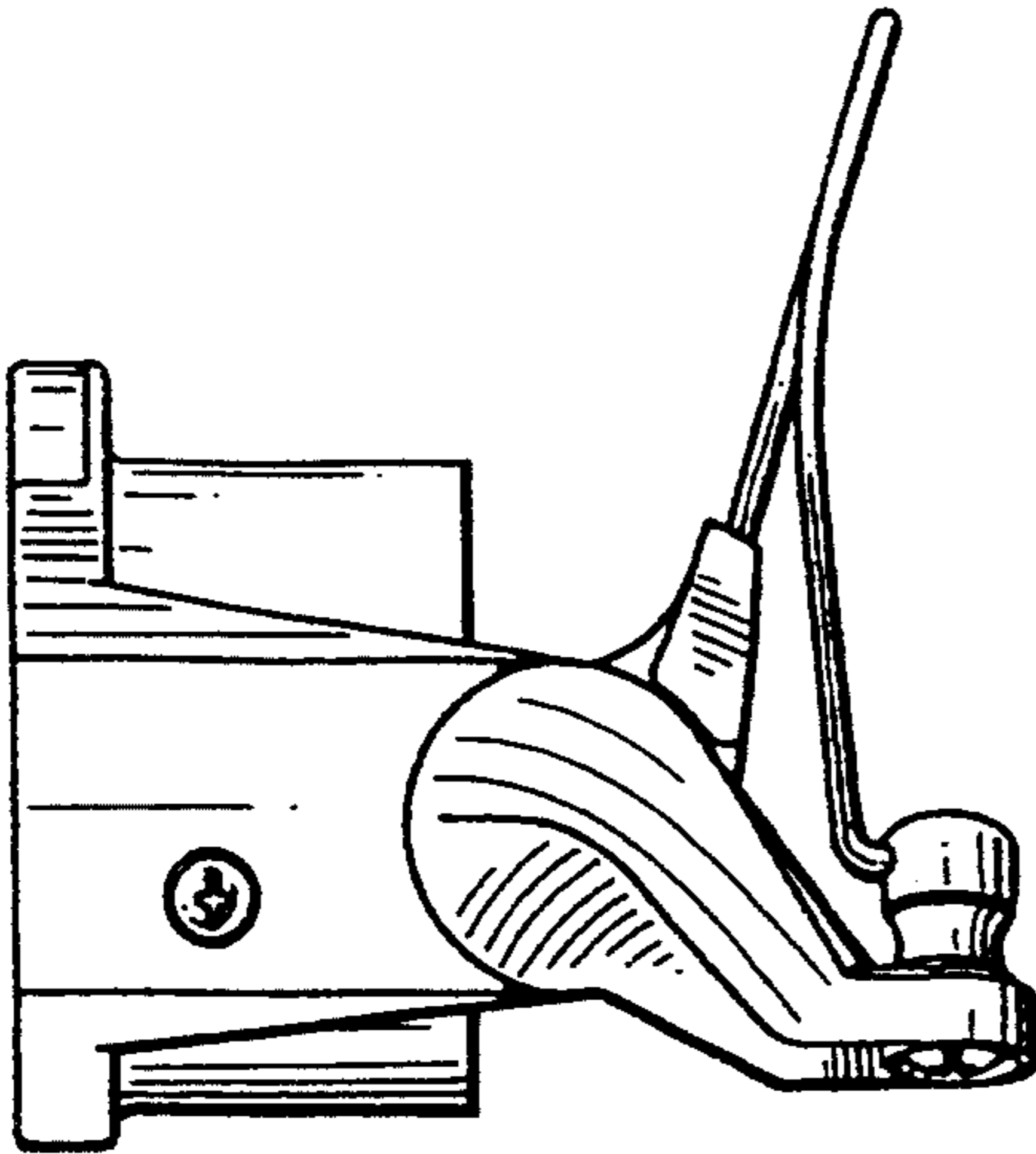


FIG. 2

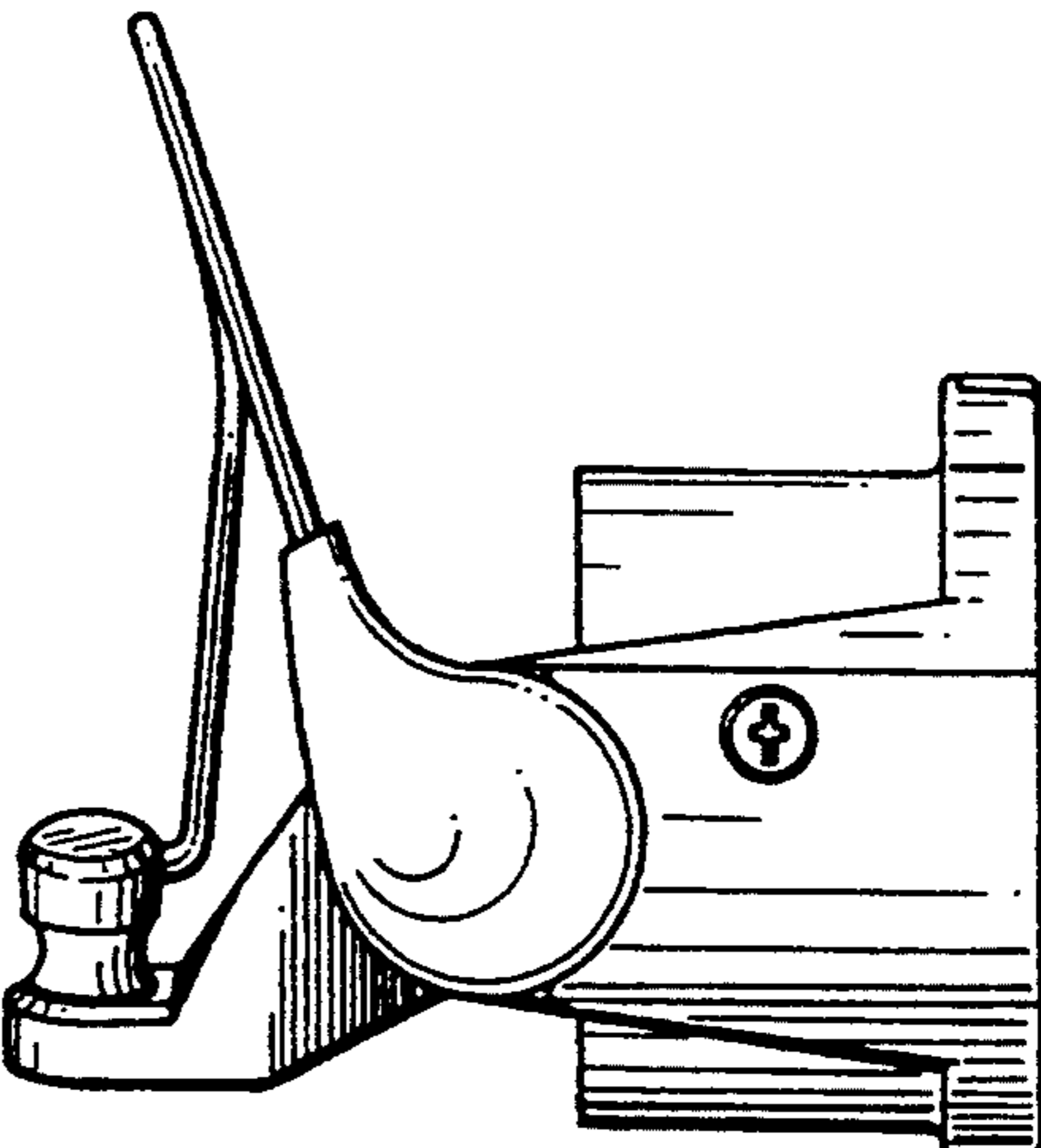


FIG. 3

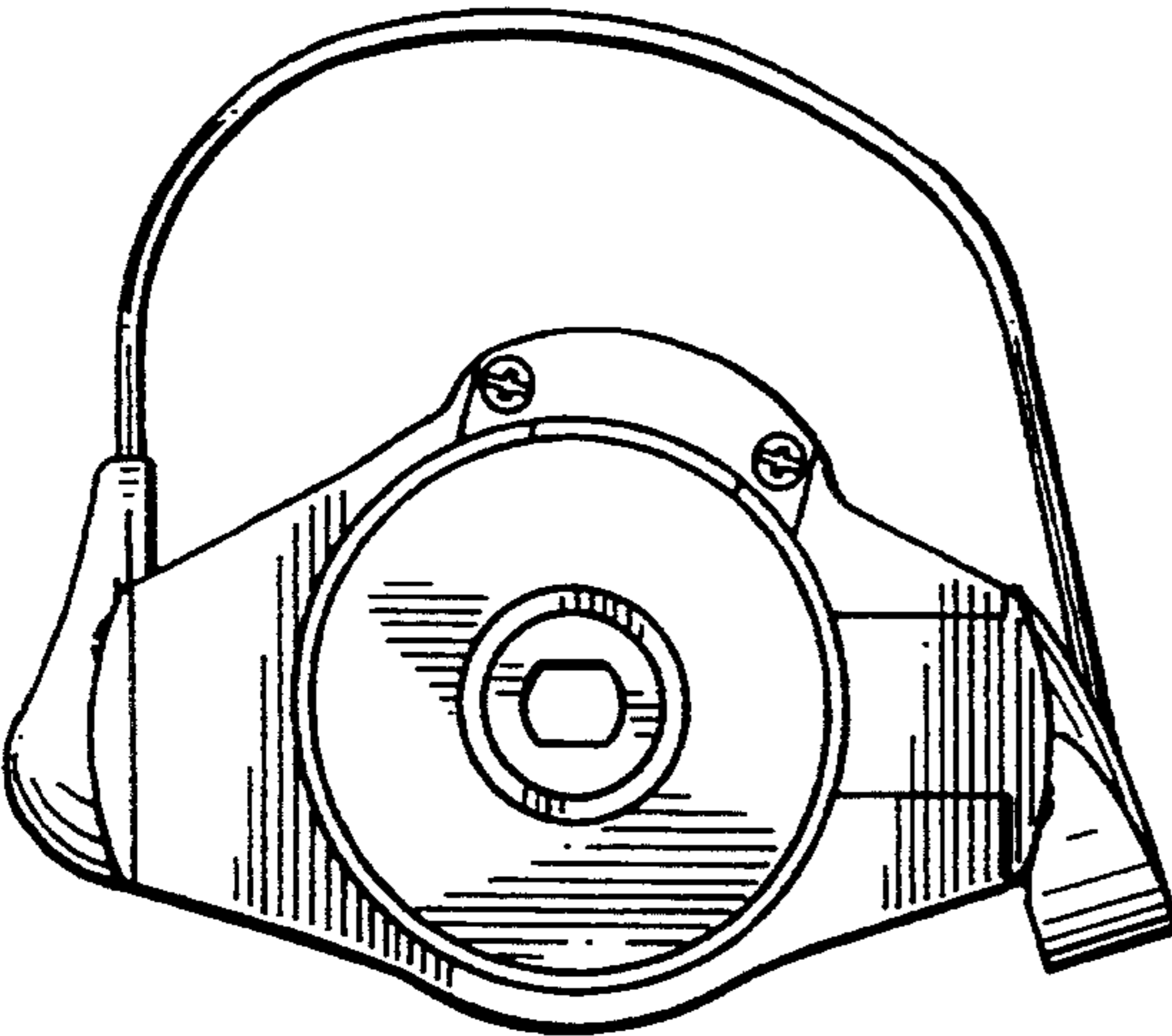


FIG. 5

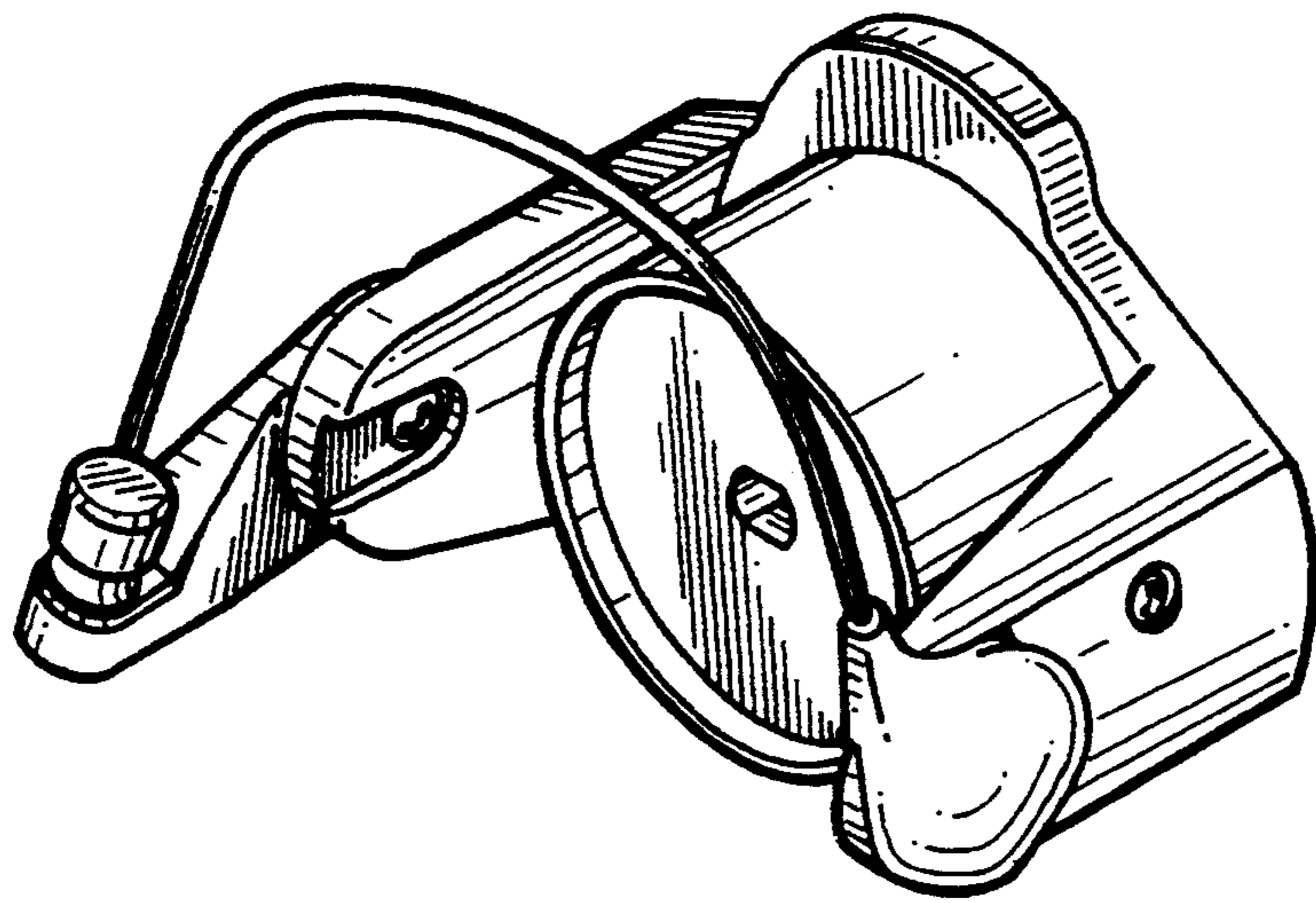


FIG. 6