



US00D355014S

# United States Patent [19]

[11] Patent Number: **Des. 355,014**

Furomoto

[45] Date of Patent: **\*\* Jan. 31, 1995**

[54] **ROTARY FRAME FOR SPINNING REEL**

D. 329,907 9/1992 Yui ..... D22/141  
5,246,186 9/1993 Sugawara ..... 242/232

[75] Inventor: **Yoshiyuki Furomoto**, Osaka, Japan

*Primary Examiner*—A. Hugo Word

[73] Assignee: **Shimano Inc.**, Osaka, Japan

*Assistant Examiner*—Doris V. Coles

[\*\*] Term: **14 Years**

*Attorney, Agent, or Firm*—Dickstein, Shapiro & Morin

[21] Appl. No.: **924,656**

[57] **CLAIM**

[22] Filed: **Aug. 5, 1992**

The ornamental design for a rotary frame for spinning reel, as shown and described.

[52] U.S. Cl. .... **D22/141**

**DESCRIPTION**

[58] Field of Search ..... D22/141; 242/224, 230,  
242/311, 232, 233

FIG. 1 is a top plan view of a rotary frame for spinning reel, showing my new design;

[56] **References Cited**

**U.S. PATENT DOCUMENTS**

- D. 273,975 5/1984 Sakumoto et al. .... D22/141
- D. 285,823 9/1986 Iinuma et al. .... D22/141
- D. 327,112 6/1992 Myojo ..... D22/141

FIG. 2 is a front view thereof;

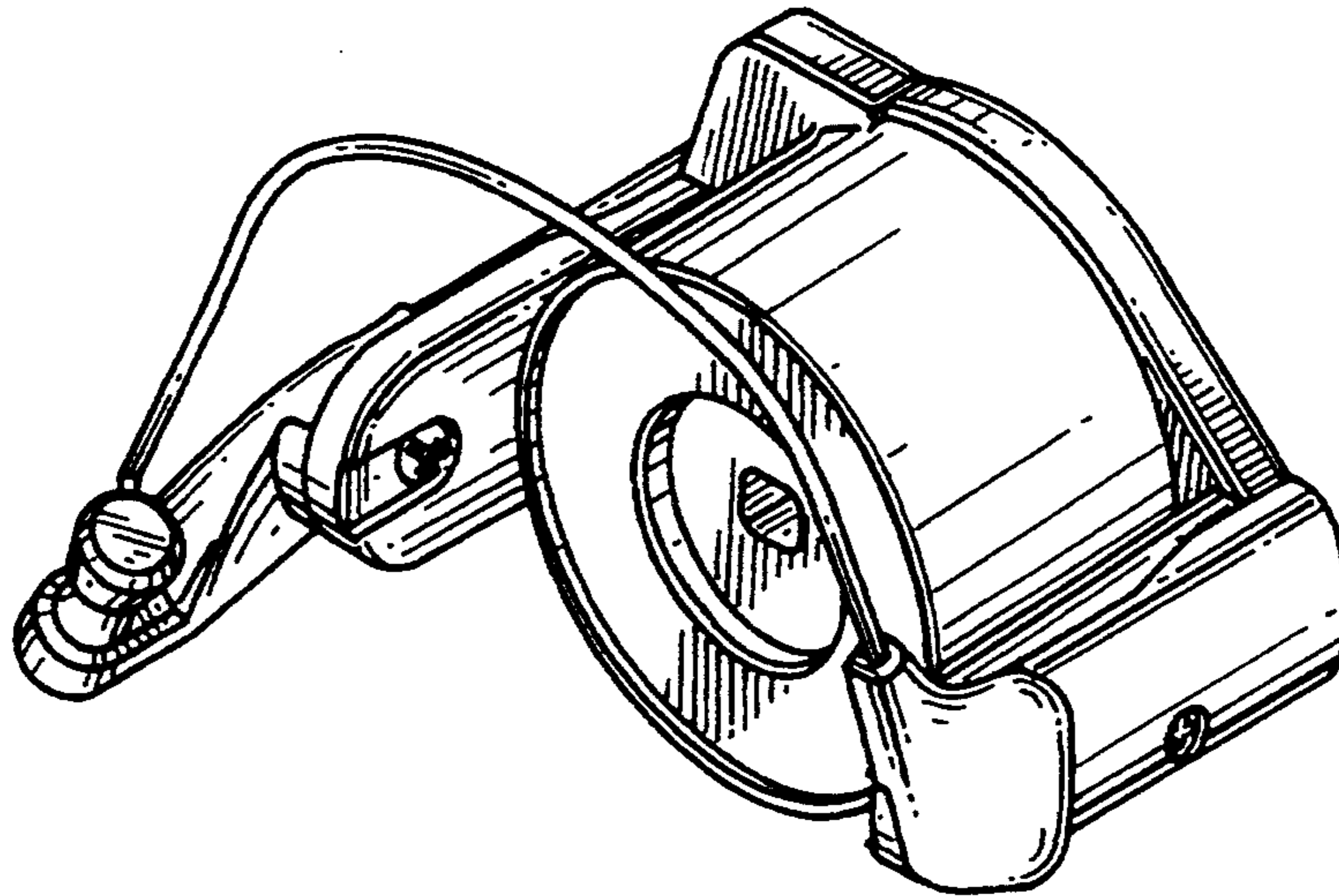
FIG. 3 is a bottom view thereof;

FIG. 4 is a left side view thereof;

FIG. 5 is a rear view thereof;

FIG. 6 is a right side view thereof; and,

FIG. 7 is a top front, perspective view thereof.



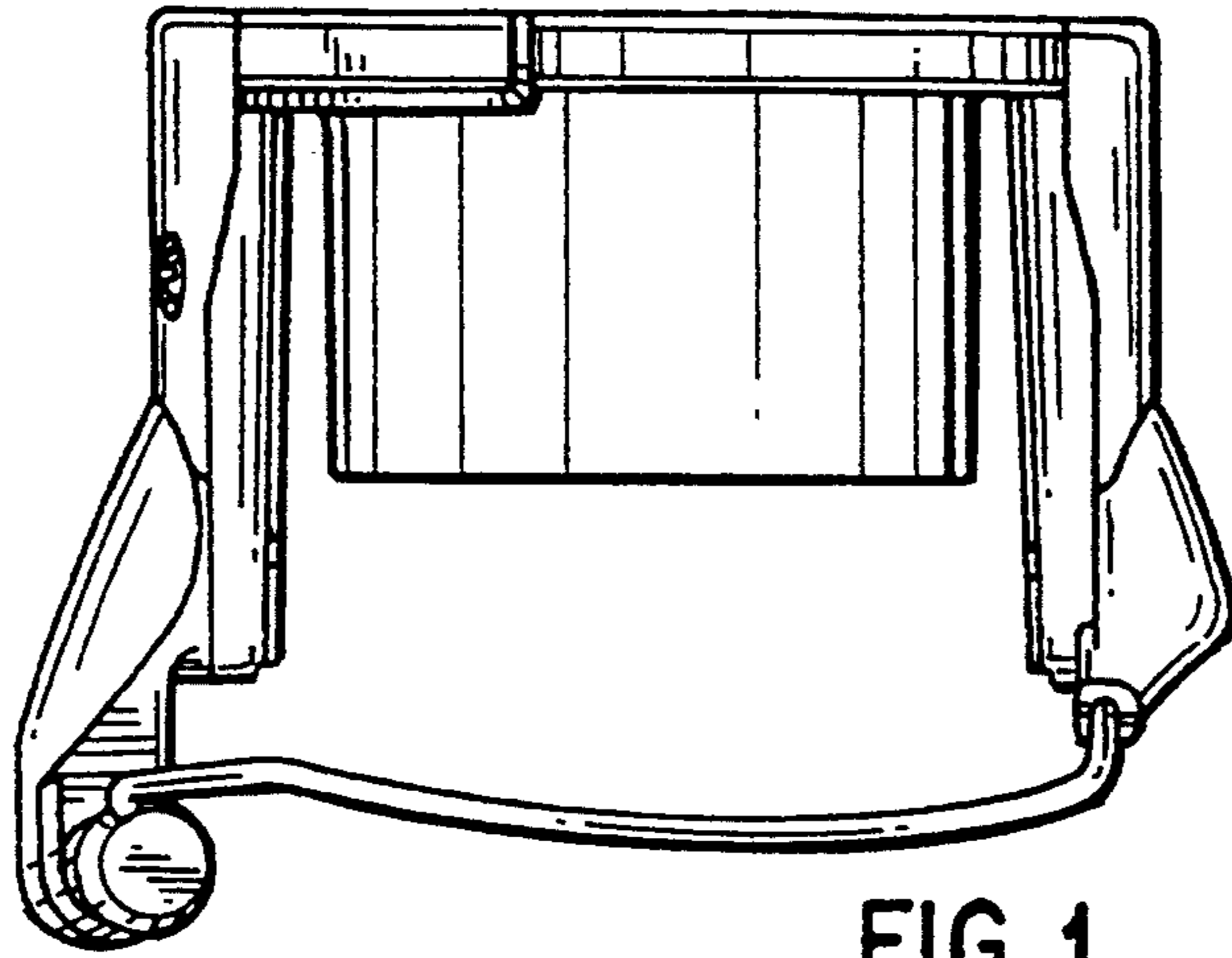


FIG. 1

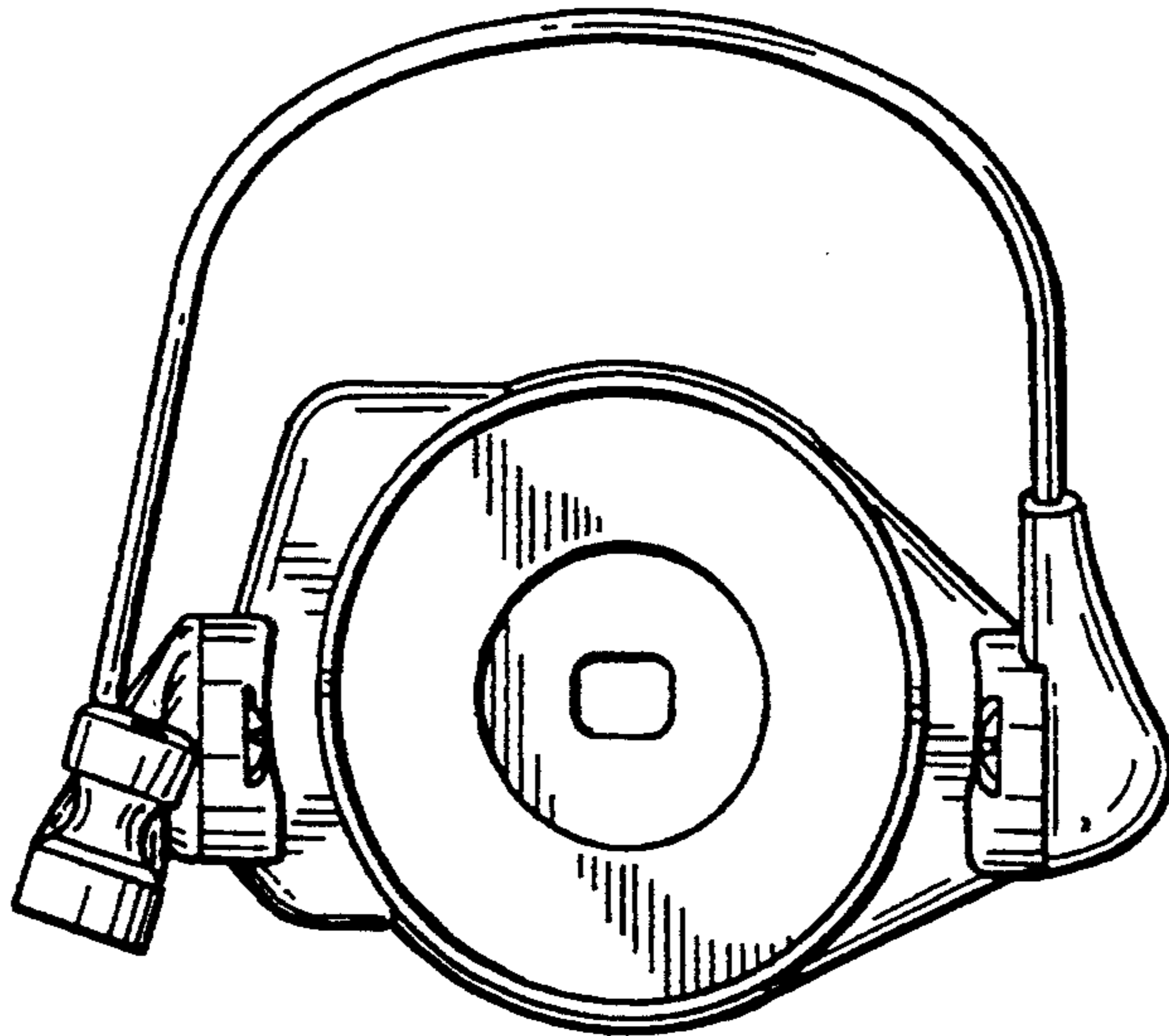


FIG. 2

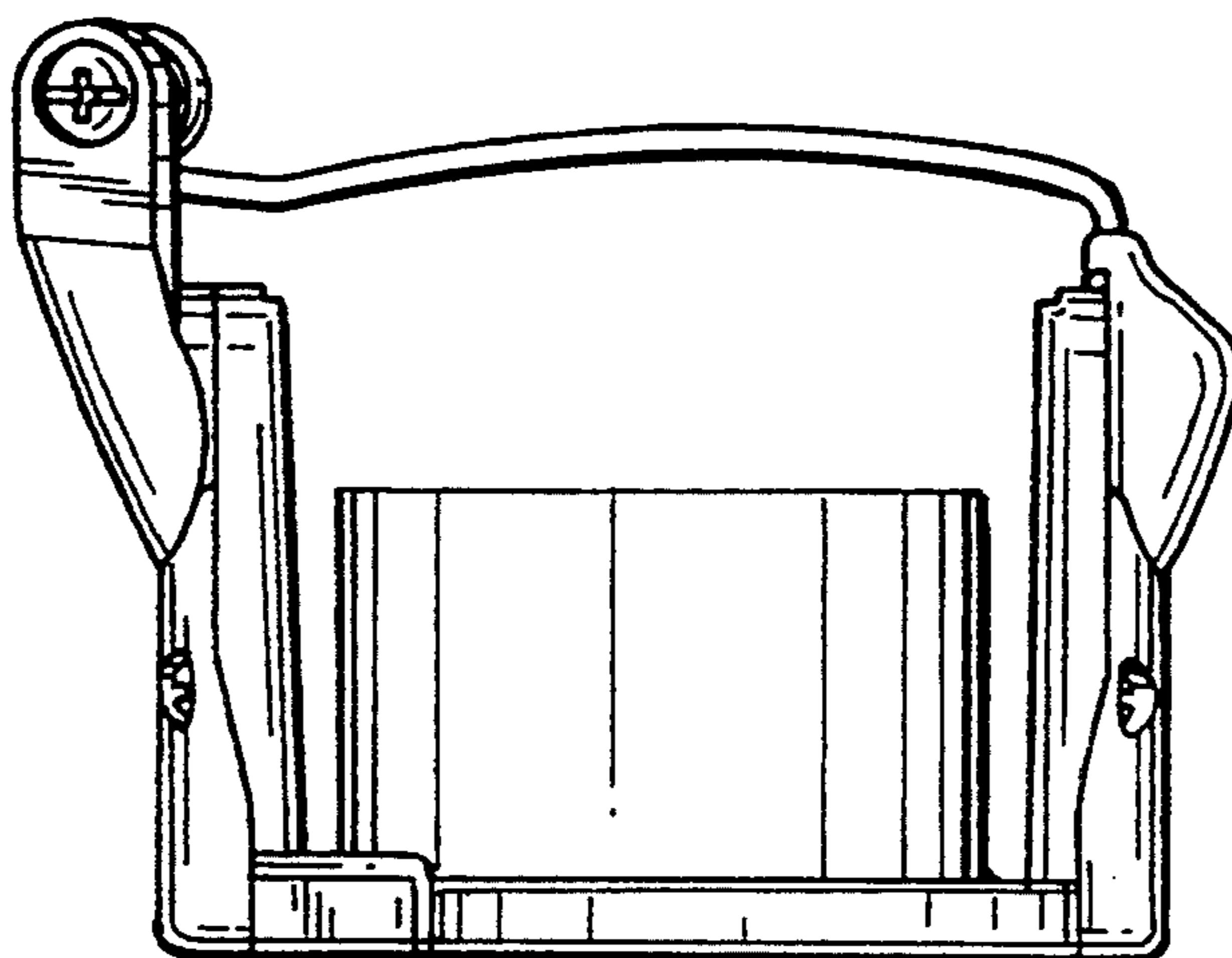


FIG. 3

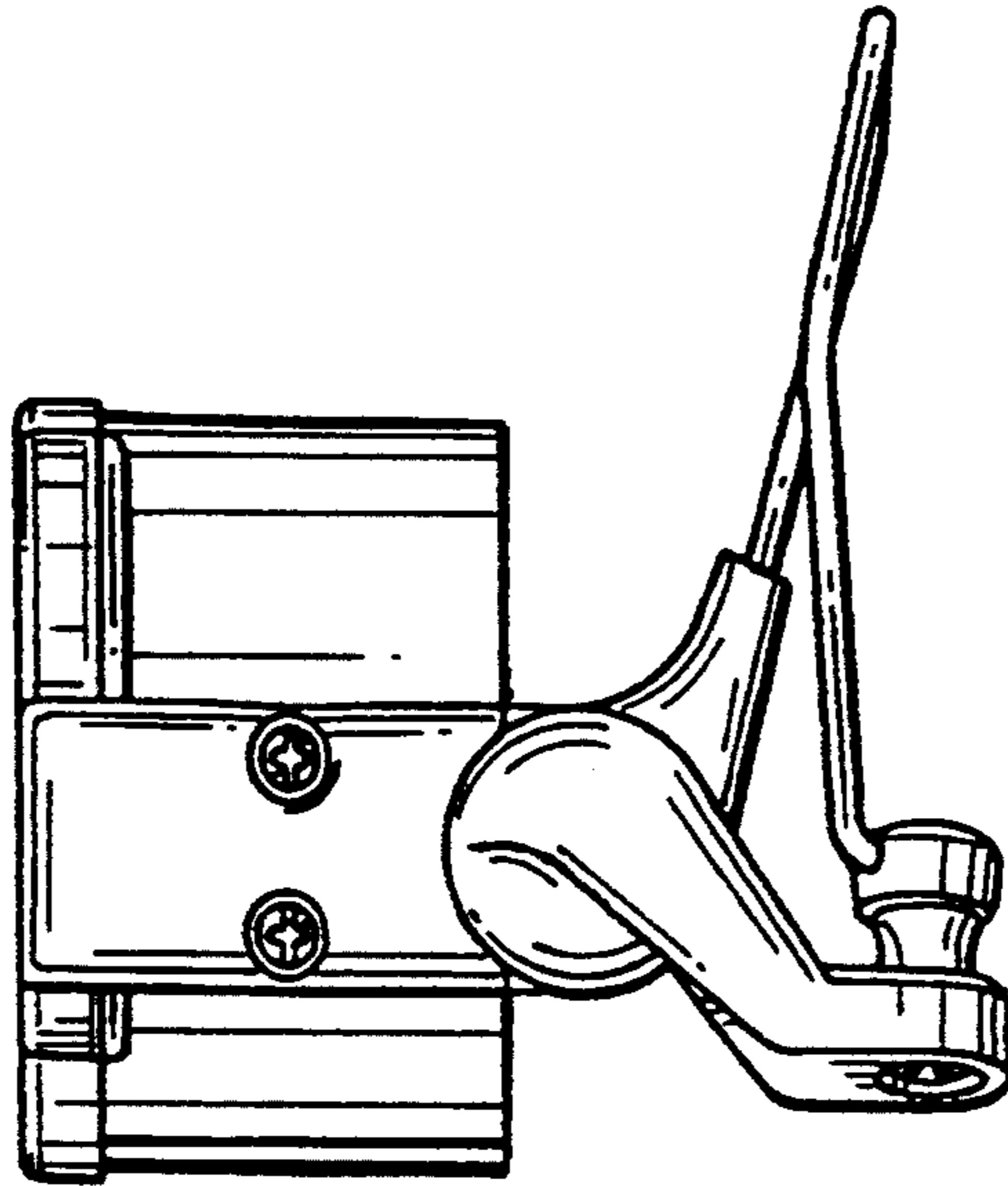


FIG. 4

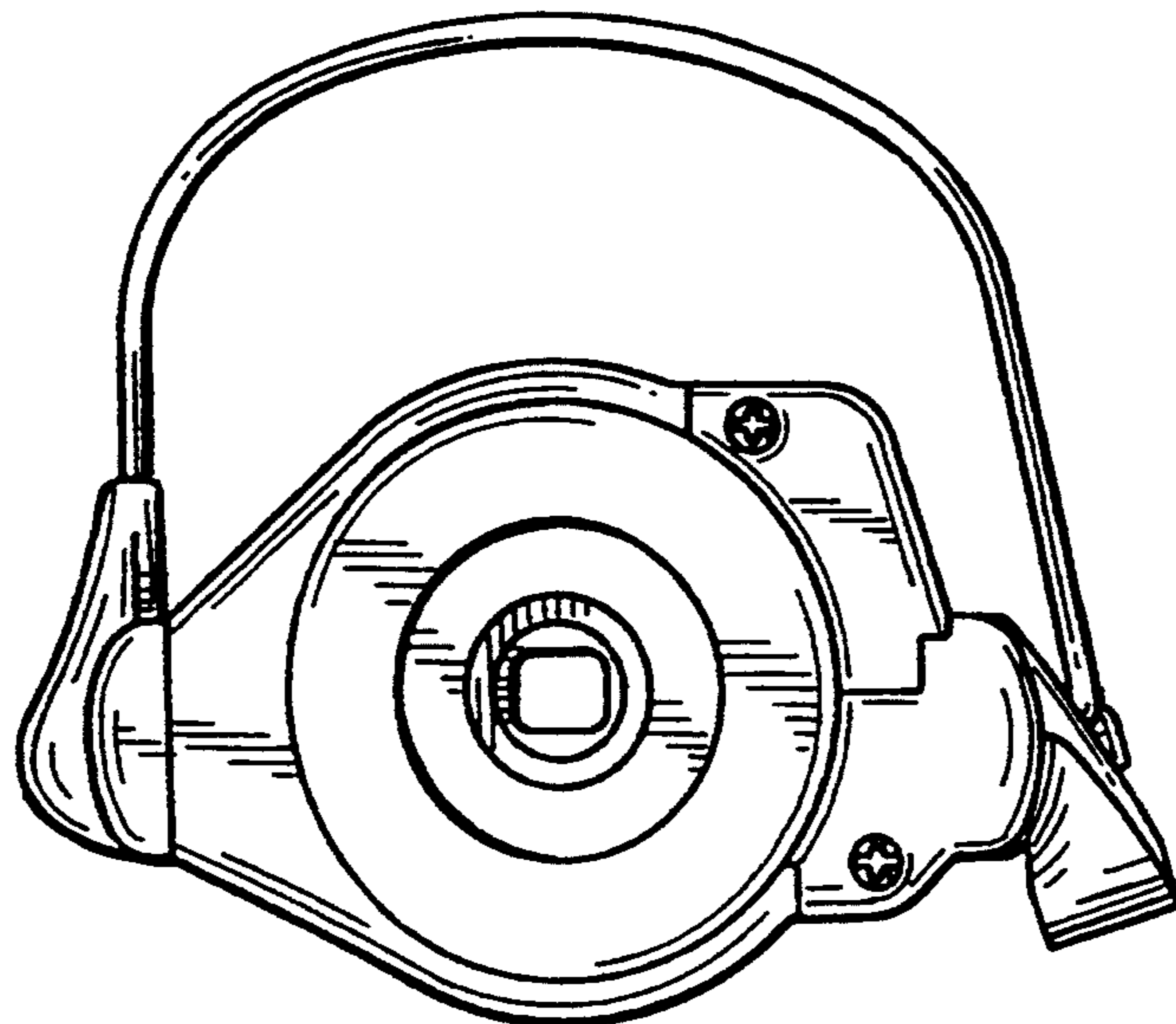


FIG. 5

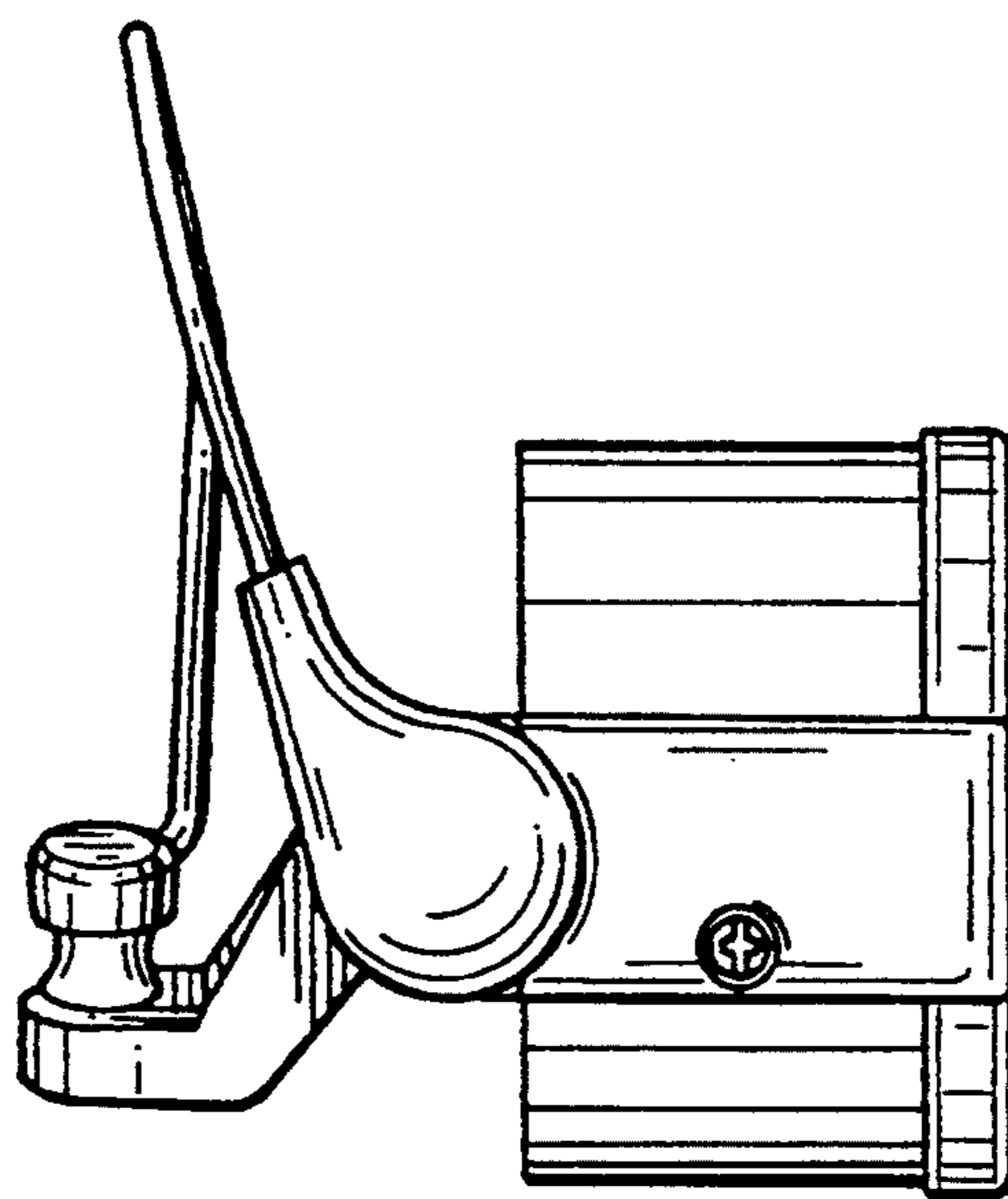


FIG. 6

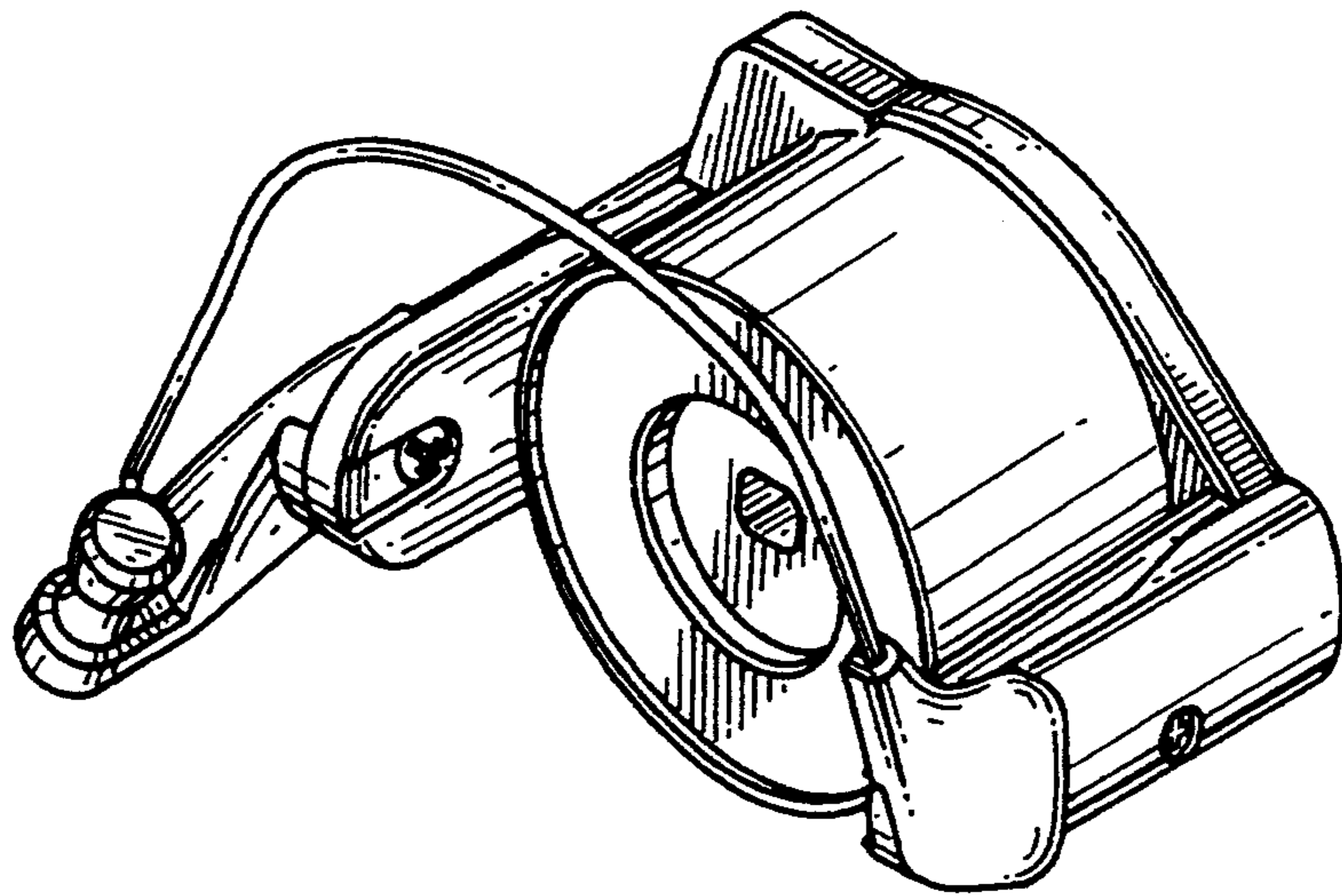


FIG. 7