



US00D355013S

United States Patent [19]

[11] Patent Number: **Des. 355,013**

Schechner

[45] Date of Patent: **** Jan. 31, 1995**

[54] SWING

4,325,578 4/1982 Borucki 297/281

[76] Inventor: **Stanley Schechner**, 4310 N. Reflection Blvd., Apt. 101, Sunrise, Fla. 33351

Primary Examiner—Bernard Ansher
Assistant Examiner—Mitchell I. Siegel
Attorney, Agent, or Firm—Herbert L. Lerner; Laurence A. Greenberg

[**] Term: **14 Years**

[57] **CLAIM**

[21] Appl. No.: **7,341**

The ornamental design for a swing, as shown and described.

[22] Filed: **Apr. 19, 1993**

[52] U.S. Cl. **D21/246; D6/344**

DESCRIPTION

[58] Field of Search D21/246; D6/344, 347, D6/354, 355; 297/457, 280, 281; 272/86, 85

FIG. 1 is a perspective view of a swing showing my new design;

[56] **References Cited**

U.S. PATENT DOCUMENTS

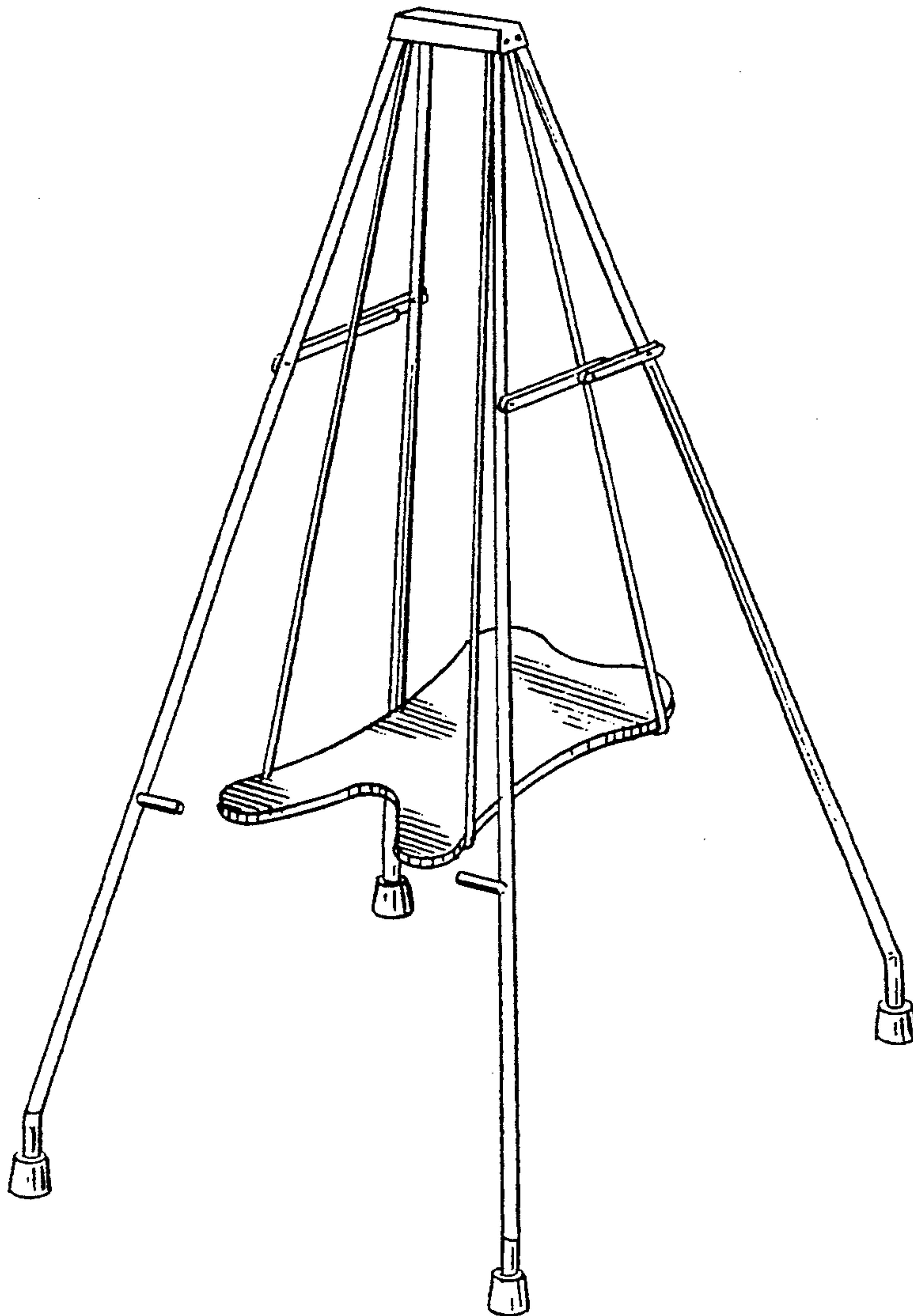
D. 228,268	9/1973	Saint	D6/347
D. 340,275	10/1993	Haun	D21/246
2,860,689	11/1958	Baker	D6/347 X
3,130,969	4/1964	Groth	272/85

FIG. 2 is a side elevational view thereof, the undisclosed opposite side being identical;

FIG. 3 is a front elevational view thereof; and,

FIG. 4 is a rear elevational view thereof.

The broken line showing of a human figure in FIG. 2 is for illustrative purposes only and forms no part of the claimed design.



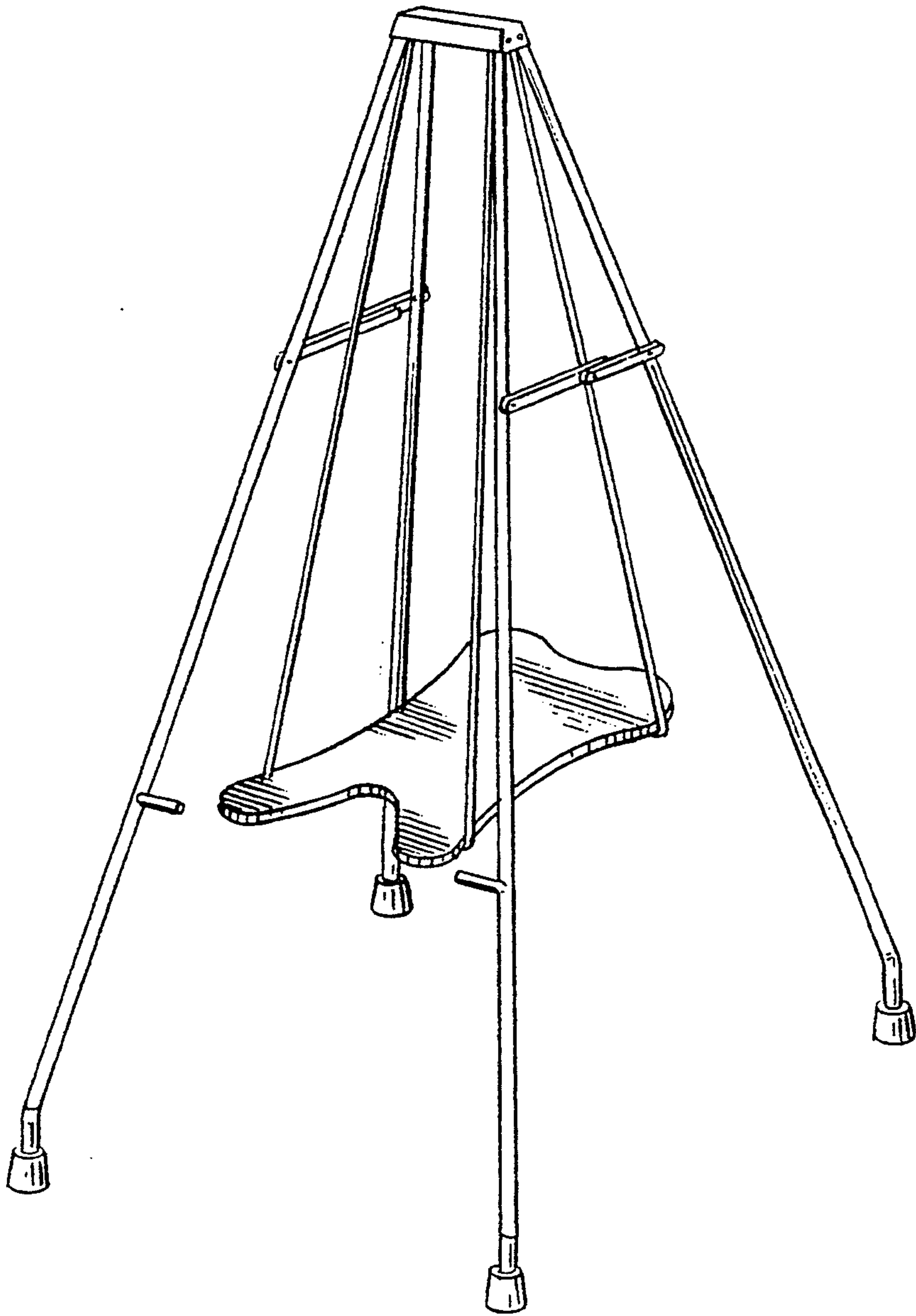


Fig. 1

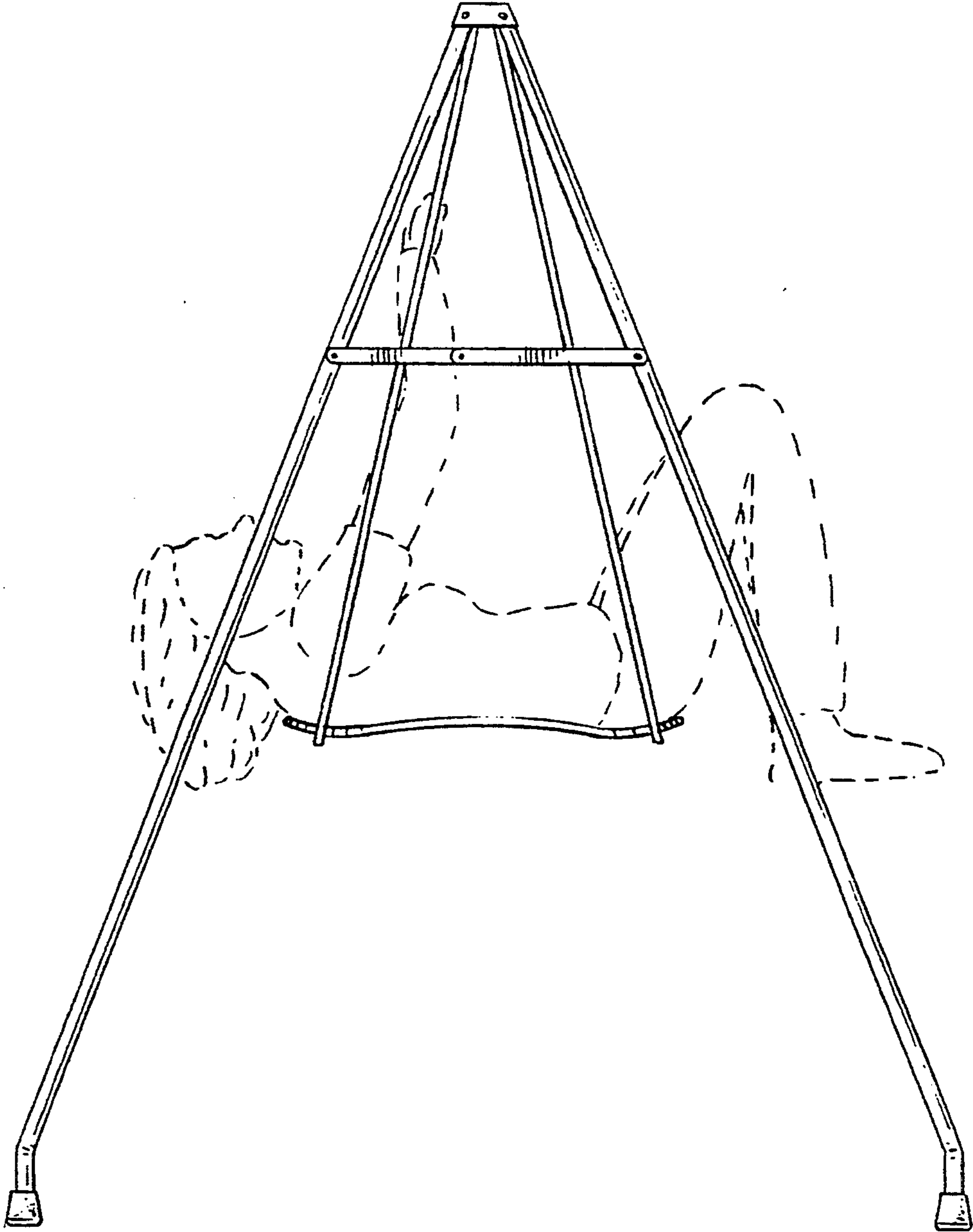


Fig. 2

Fig. 4

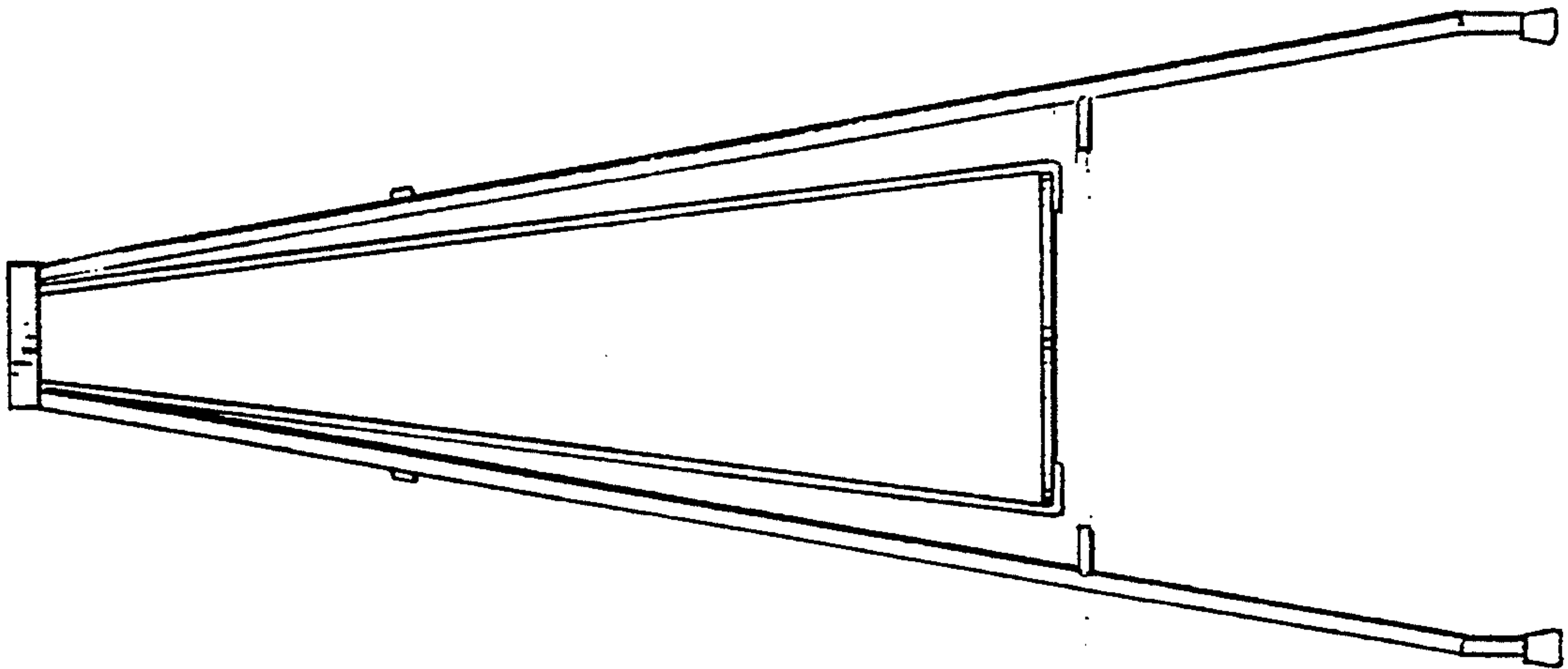
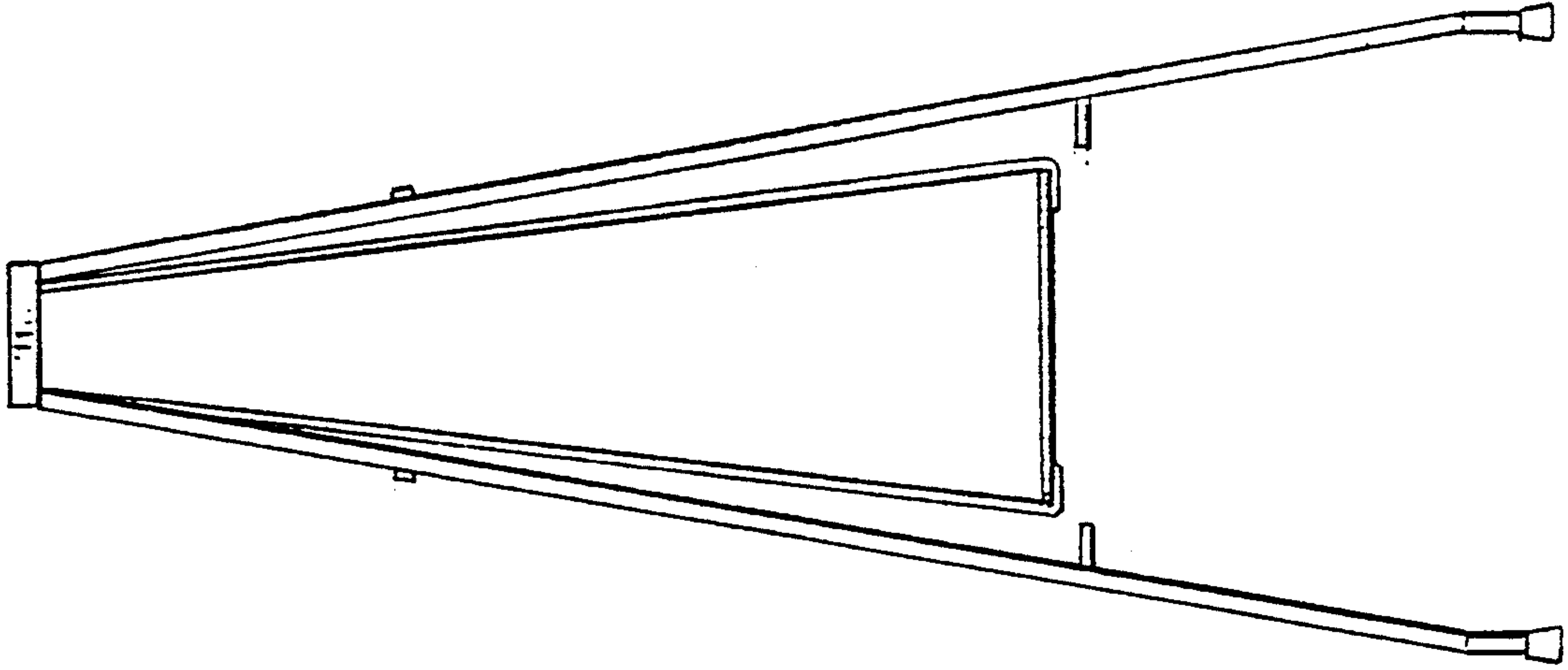


Fig. 3