



US00D355012S

United States Patent [19]

[11] Patent Number: **Des. 355,012**

Robertson

[45] Date of Patent: **** Jan. 31, 1995**

- [54] SWIMMING FIN
- [75] Inventor: **Russell Robertson, Chicago, Ill.**
- [73] Assignee: **Dacor Corporation, Northfield, Ill.**
- [**] Term: **14 Years**
- [21] Appl. No.: **10,030**
- [22] Filed: **Jun. 25, 1993**
- [52] U.S. Cl. **D21/239**
- [58] Field of Search **D21/239; 441/64, 61, 441/62, 63**

5,163,859 11/1992 Beltrani et al. 441/64

FOREIGN PATENT DOCUMENTS

2506619 12/1982 France .

Primary Examiner—Kay H. Chin
Attorney, Agent, or Firm—Greer, Burns & Crain, Ltd.

[57] CLAIM

The ornamental design for a swimming fin, as shown and described.

DESCRIPTION

FIG. 1 is an overhead plan view of my new design of a swimming fin;

FIG. 2 is a right side elevational view of the swimming fin depicted in FIG. 1, the left side being a duplicate thereof;

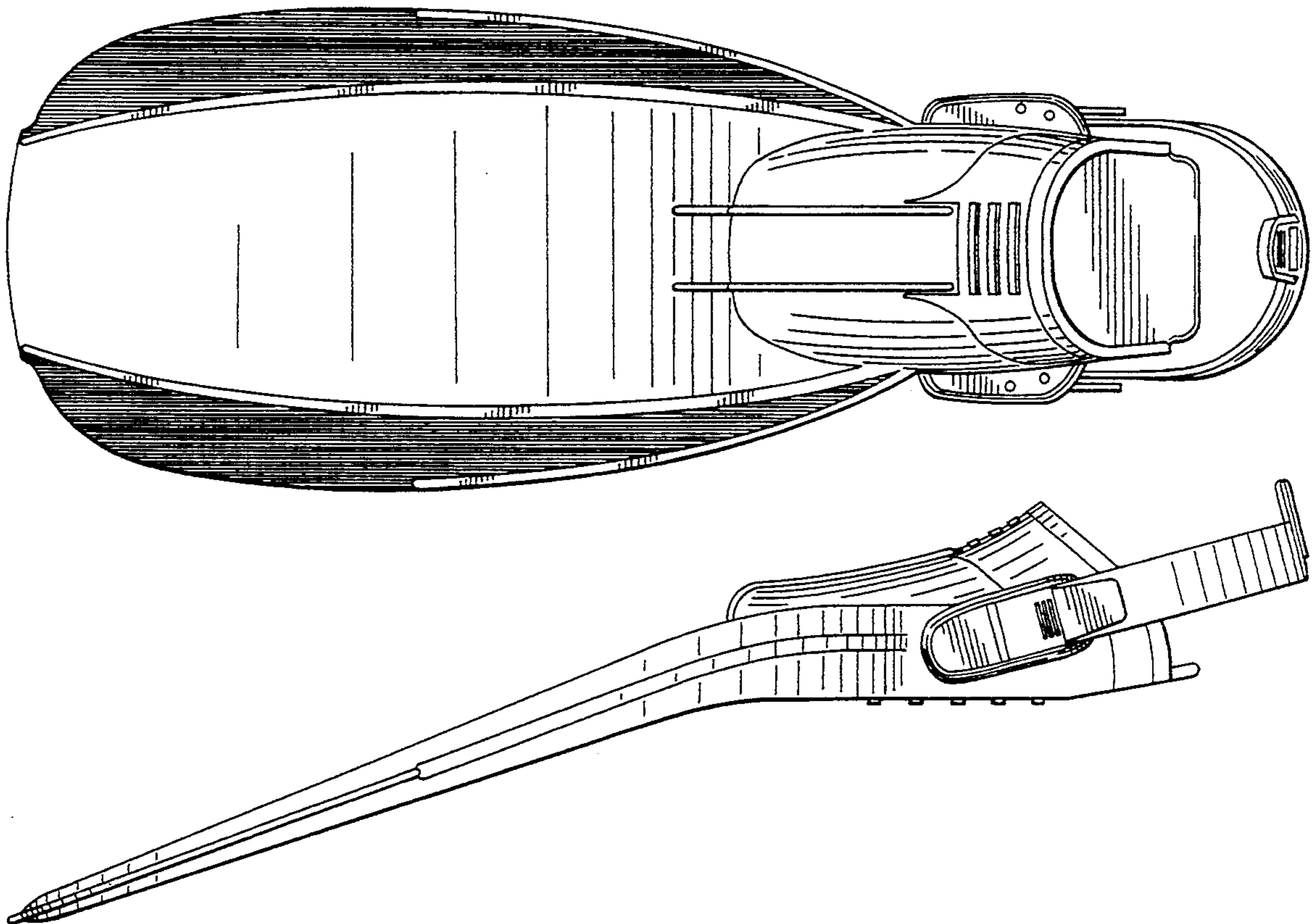
FIG. 3 is a bottom elevational of the swimming fin of my invention;

FIG. 4 is a front elevational view thereof; and,

FIG. 5 is a rear elevational view thereof.

[56] References Cited U.S. PATENT DOCUMENTS

- 3,411,165 11/1968 Murdoch .
- 3,810,269 5/1974 Tabata et al. .
- 3,913,158 10/1975 Vilarrubis .
- 3,978,537 9/1976 Shamlan .
- 4,738,645 4/1988 Garofalo .
- 4,778,423 10/1988 Oiccotelli 441/64
- 4,887,985 12/1989 Garofalo .



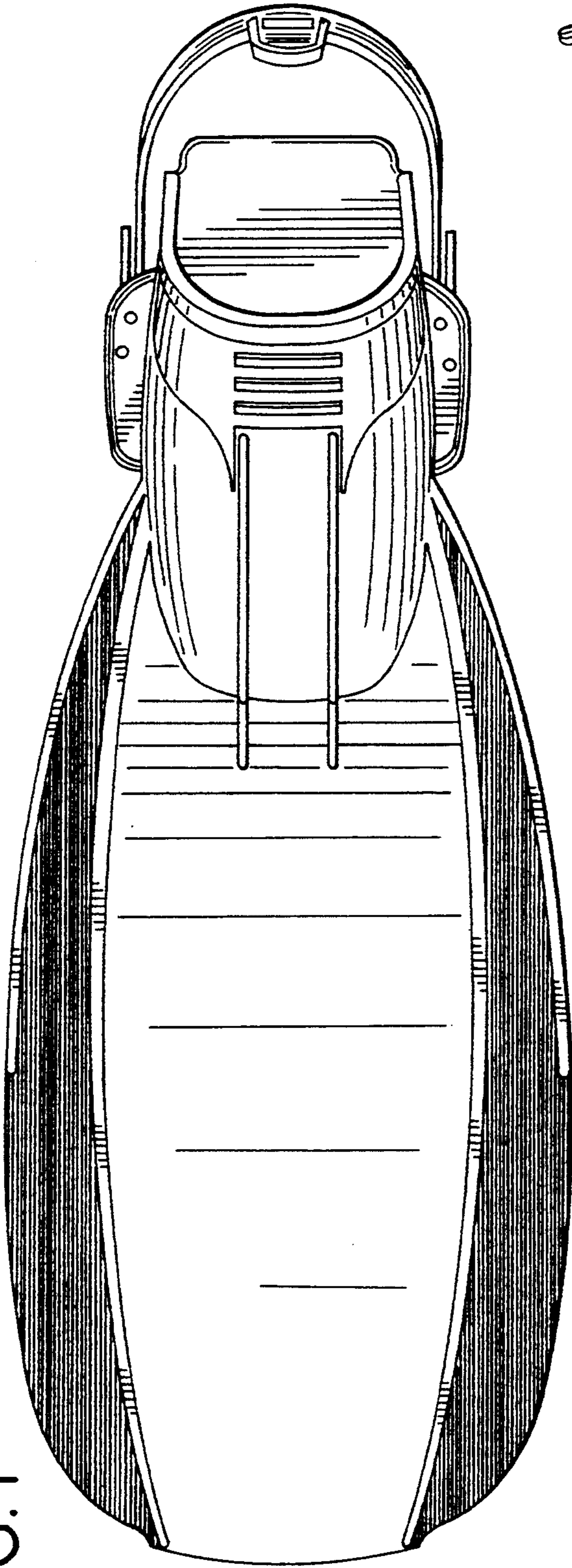


FIG. 1

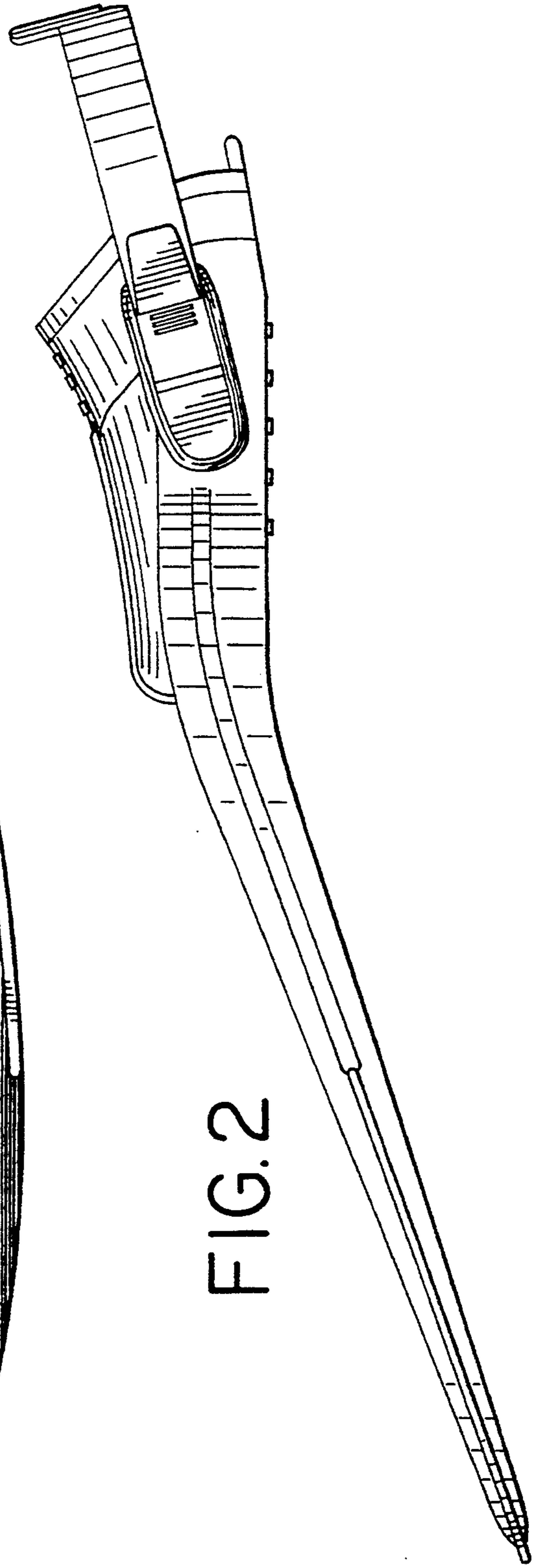


FIG. 2

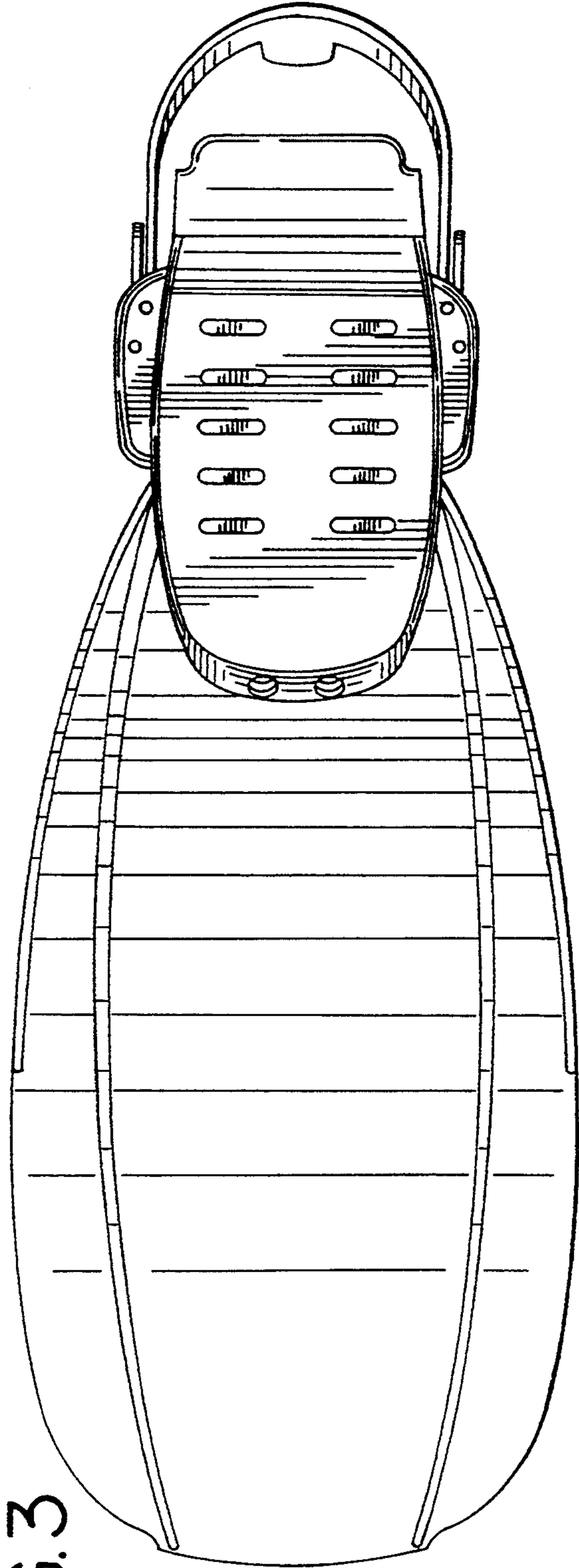


FIG. 3

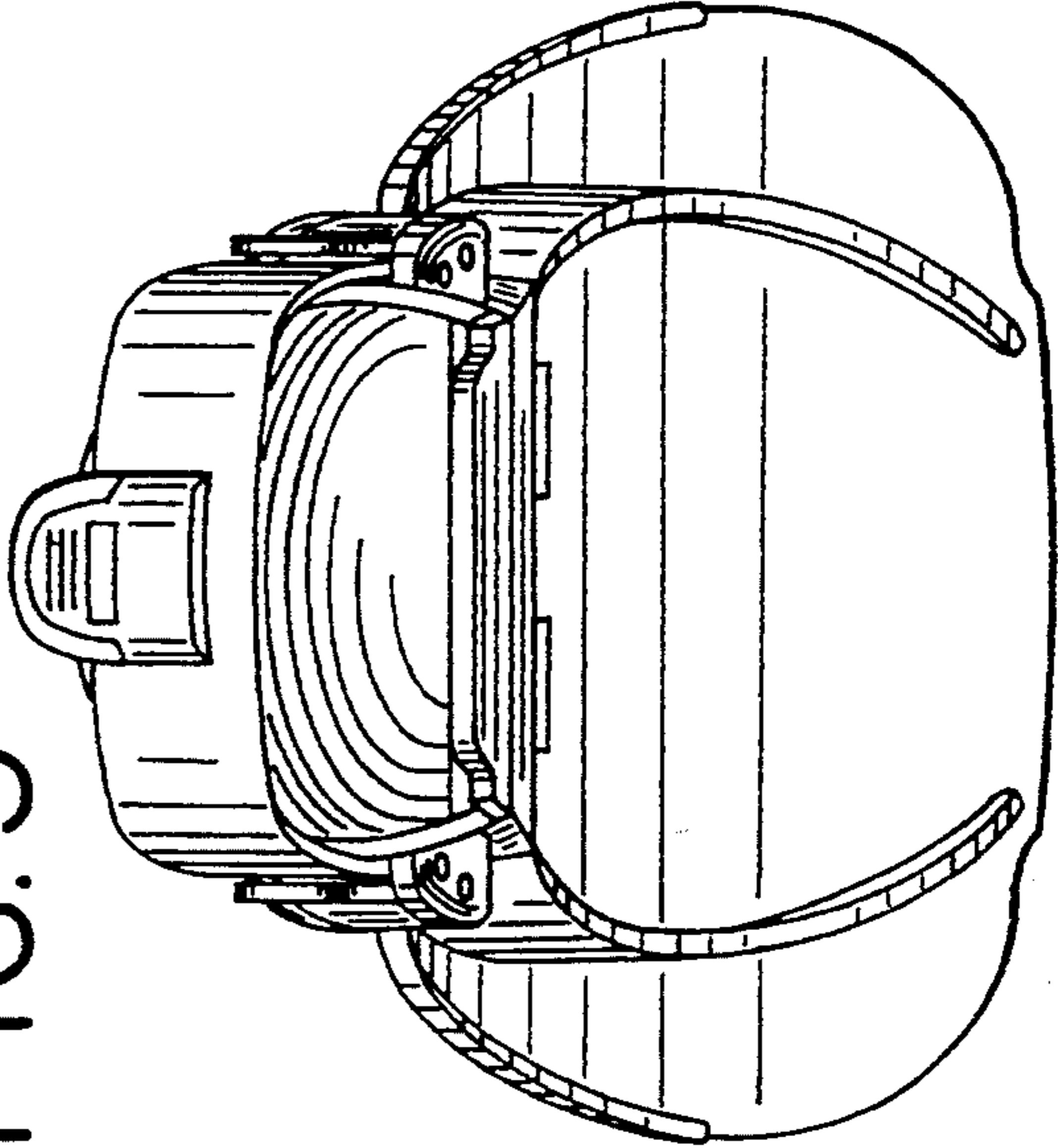


FIG. 4

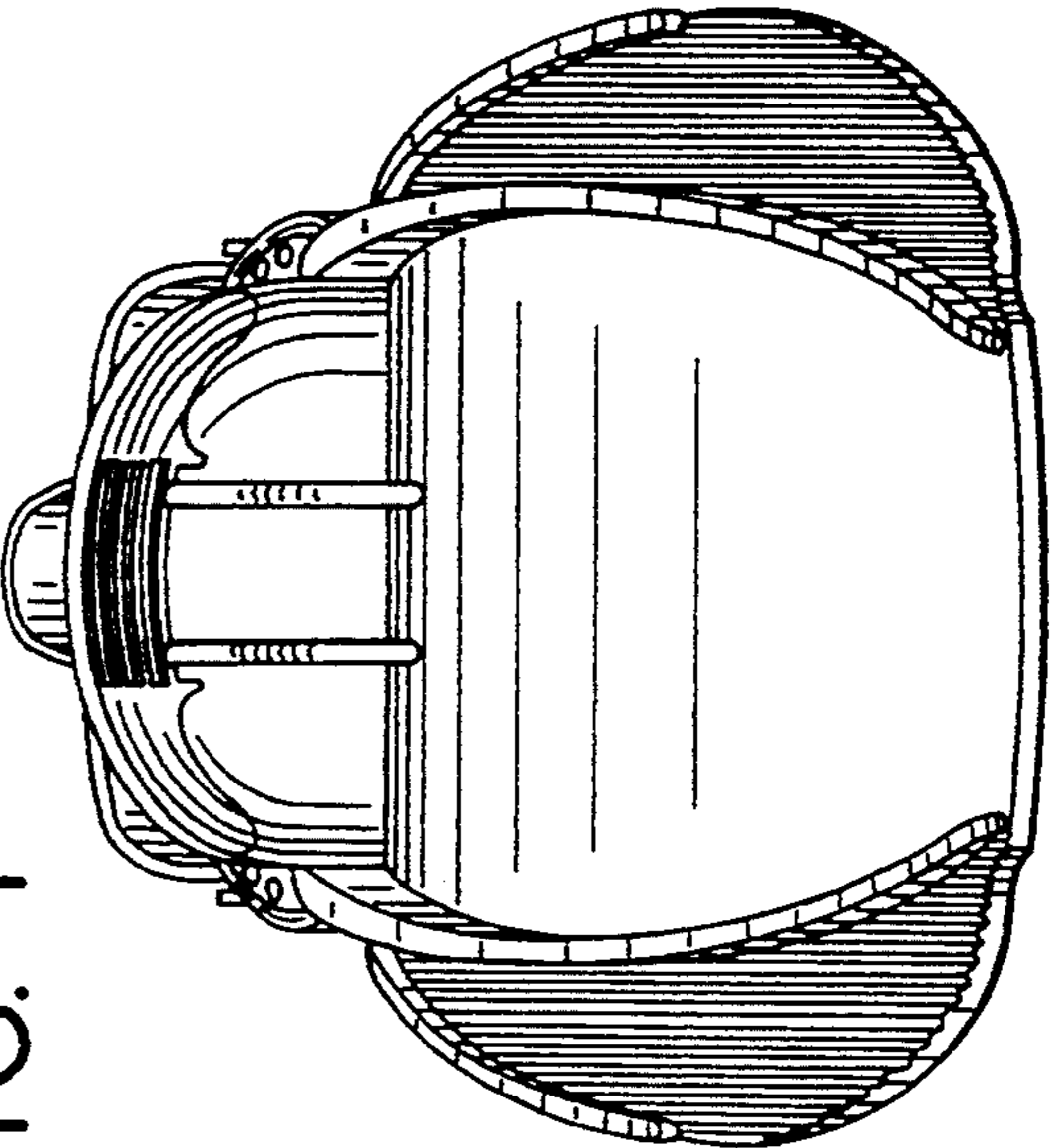


FIG. 5