



US00D355007S

United States Patent [19]

[11] Patent Number: Des. 355,007

Rojas et al.

[45] Date of Patent: ** Jan. 31, 1995

[54] WEIGHT-LIFTING PLATE

[76] Inventors: **Michael D. Rojas**, 13341 San Remo, Tustin, Calif. 92680; **Scott J. Frasco**, 9042 Colbreggan, Huntington Beach, Calif. 92646

[**] Term: 14 Years

[21] Appl. No.: 6,016

[22] Filed: Mar. 17, 1993

[52] U.S. Cl. D21/197; D21/196

[58] Field of Search D21/191, 196, 197, 198; 482/93, 104, 105, 106, 107, 108

[56] References Cited

U.S. PATENT DOCUMENTS

D. 194,042	11/1962	Guthormsen	D21/197
D. 278,358	4/1985	Zwilling	D21/197
3,771,785	11/1973	Speyer	482/106
4,482,151	11/1984	Zwilling	482/106
4,880,229	11/1989	Broussard	482/106
5,137,502	8/1992	Anastasi	482/93

Primary Examiner—Bernard Ansher
Assistant Examiner—Philip Hyder
Attorney, Agent, or Firm—Darby & Darby

[57] CLAIM

The ornamental design for a weight-lifting plate, as shown and described.

DESCRIPTION

FIG. 1 is a front view of a weight-lifting plate showing my new design;

FIG. 2 is a perspective view of the weight-lifting plate shown in FIG. 1;

FIG. 3 is a cross-sectional side view of the weight-lifting plate showing in FIG. 1;

FIG. 4 is a side view of the weight-lifting plate shown in FIG. 1;

FIG. 5 is a front elevational view of a modified embodiment thereof;

FIG. 6 is a perspective view of the weight-lifting plate shown in FIG. 5;

FIG. 7 is a cross-sectional side view of the weight-lifting plate shown in FIG. 5;

FIG. 8 is a side view of the weight-lifting plate shown in FIG. 5;

FIG. 9 is a front elevational view of a second modified embodiment thereof;

FIG. 10 is a perspective view of the weight-lifting plate shown in FIG. 9;

FIG. 11 is a cross-sectional side view of the weight-lifting plate shown in FIG. 9;

FIG. 12 is a side view of the weight-lifting plate shown in FIG. 9;

FIG. 13 is a front elevational view of a third modified embodiment thereof;

FIG. 14 is a perspective view of the weight-lifting plate shown in FIG. 13;

FIG. 15 is a cross-sectional side view of the weight-lifting plate shown in FIG. 13;

FIG. 16 is a side view of the weight-lifting plate shown in FIG. 13;

FIG. 17 is a front elevational view of a fourth modified embodiment thereof;

FIG. 18 is a perspective view of the weight-lifting plate shown in FIG. 17;

FIG. 19 is a cross-sectional side view of the weight-lifting plate shown in FIG. 17;

FIG. 20 is a side view of the weight-lifting plate shown in FIG. 17;

FIG. 21 is a front elevational view of a fifth modified embodiment thereof;

FIG. 22 is a perspective view of the weight-lifting plate shown in FIG. 21;

FIG. 23 is a cross-sectional side view of the weight-lifting plate shown in FIG. 21; and,

FIG. 24 is a side view of the weight-lifting plate shown in FIG. 21.

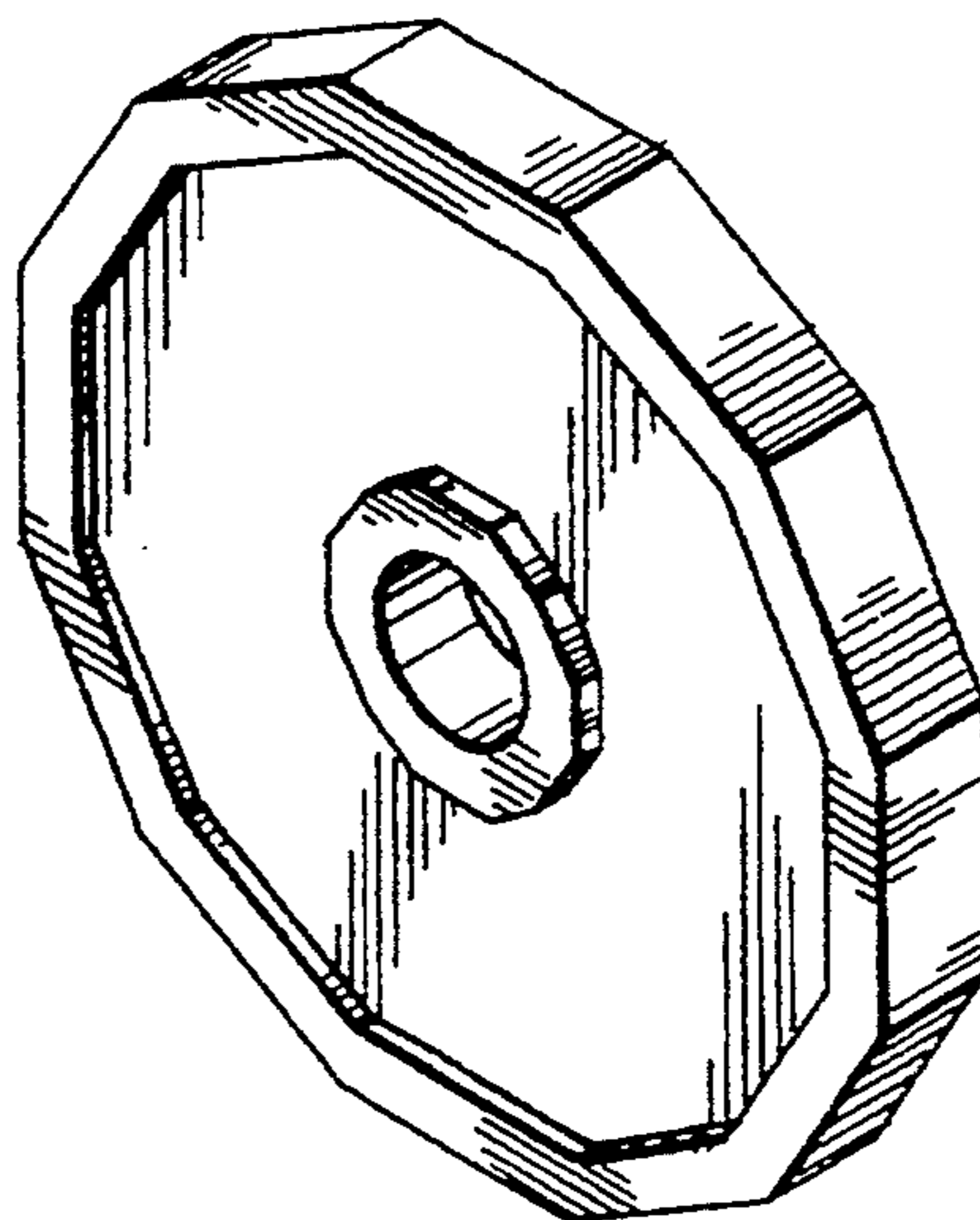
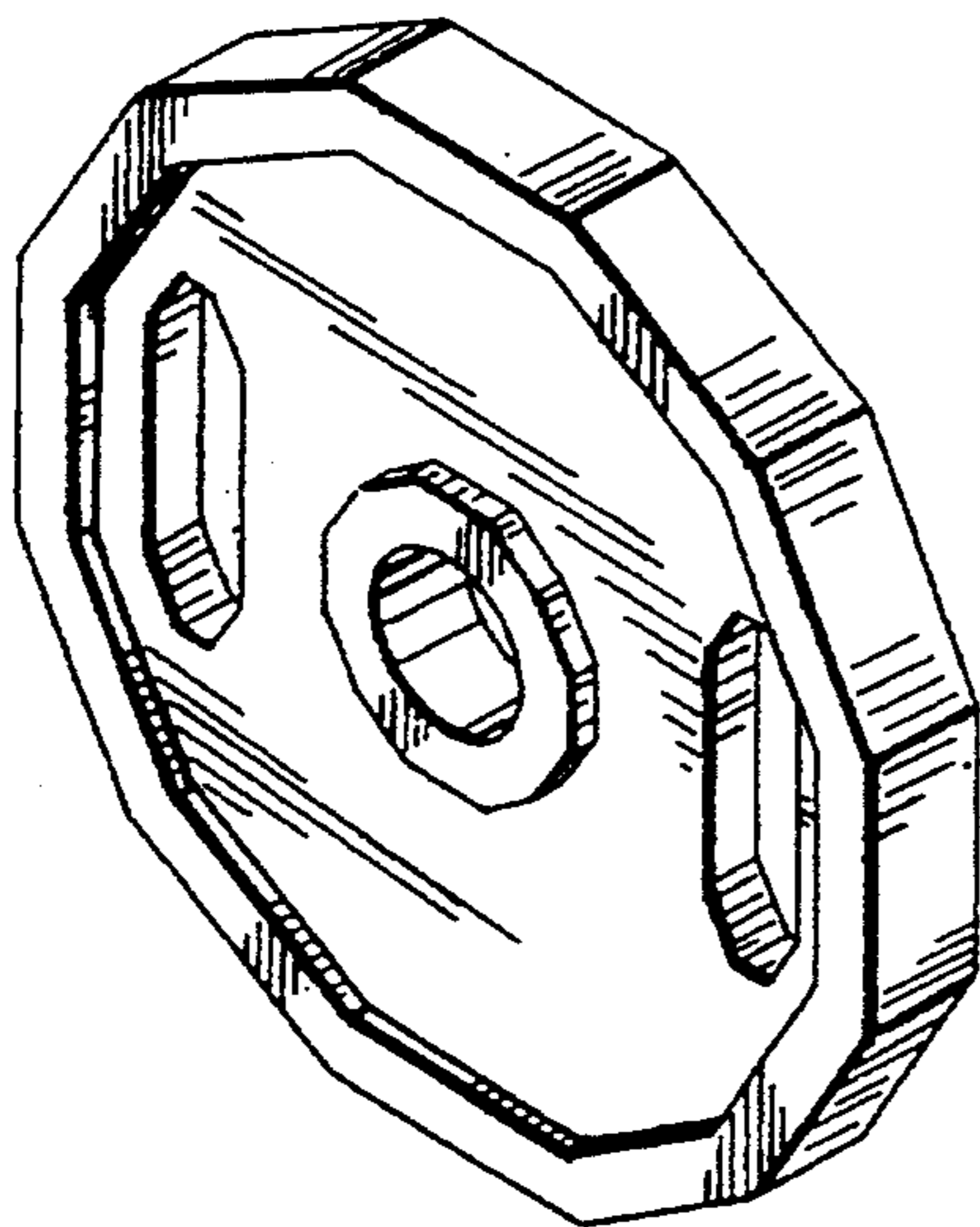


FIG. 1

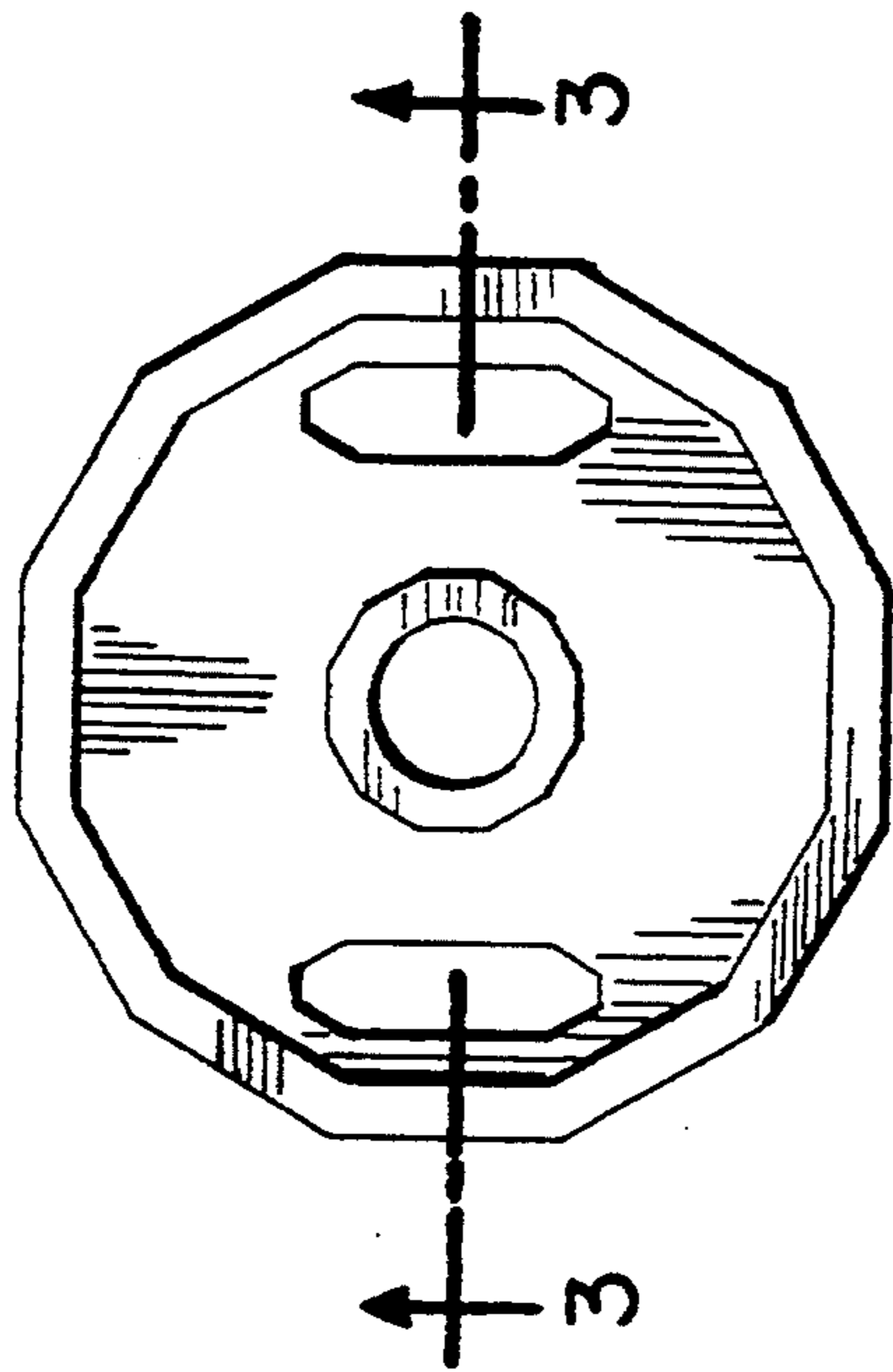


FIG. 2

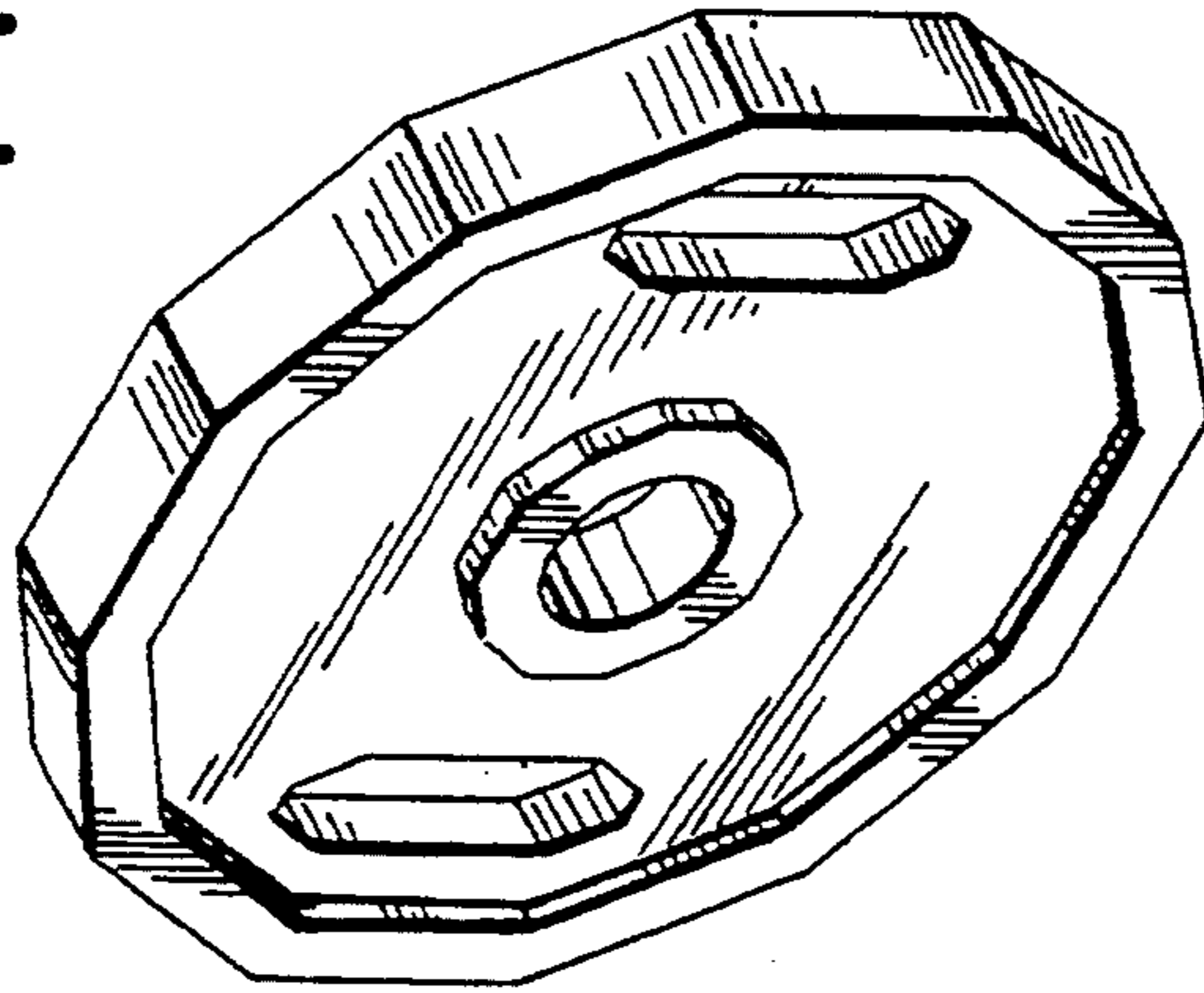


FIG. 3



FIG. 4



FIG. 5

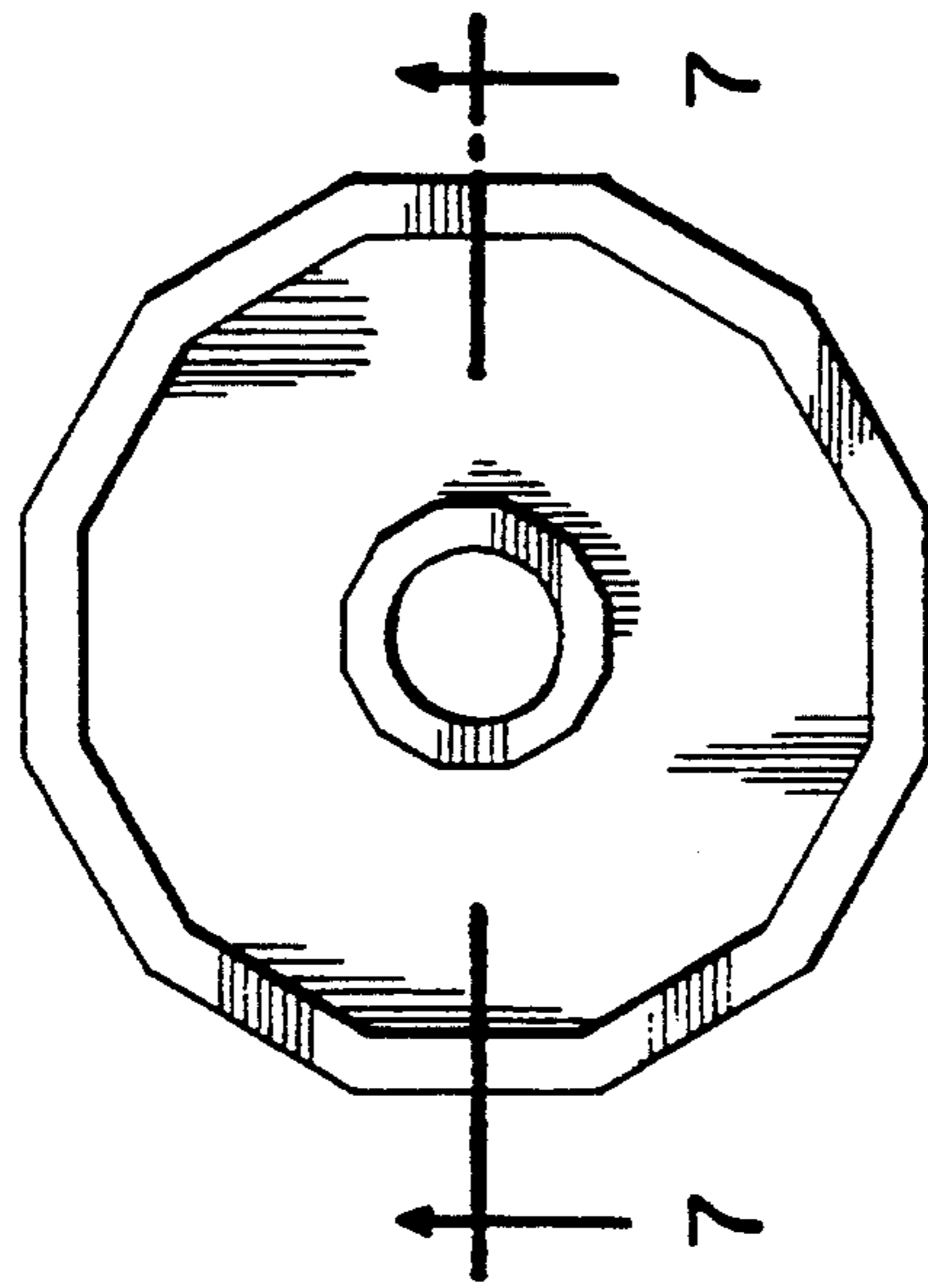


FIG. 6

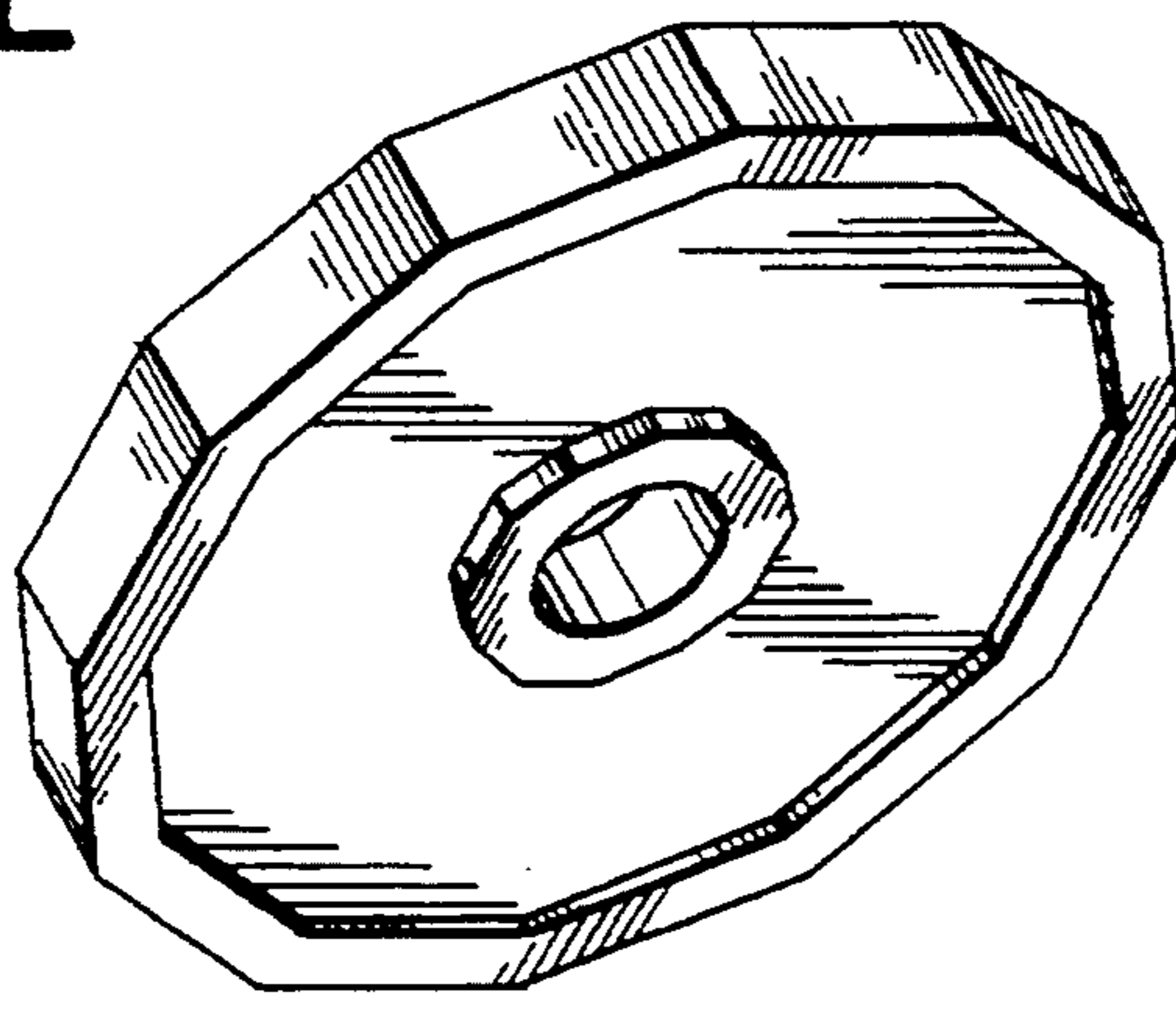


FIG. 7



FIG. 8



FIG. 9

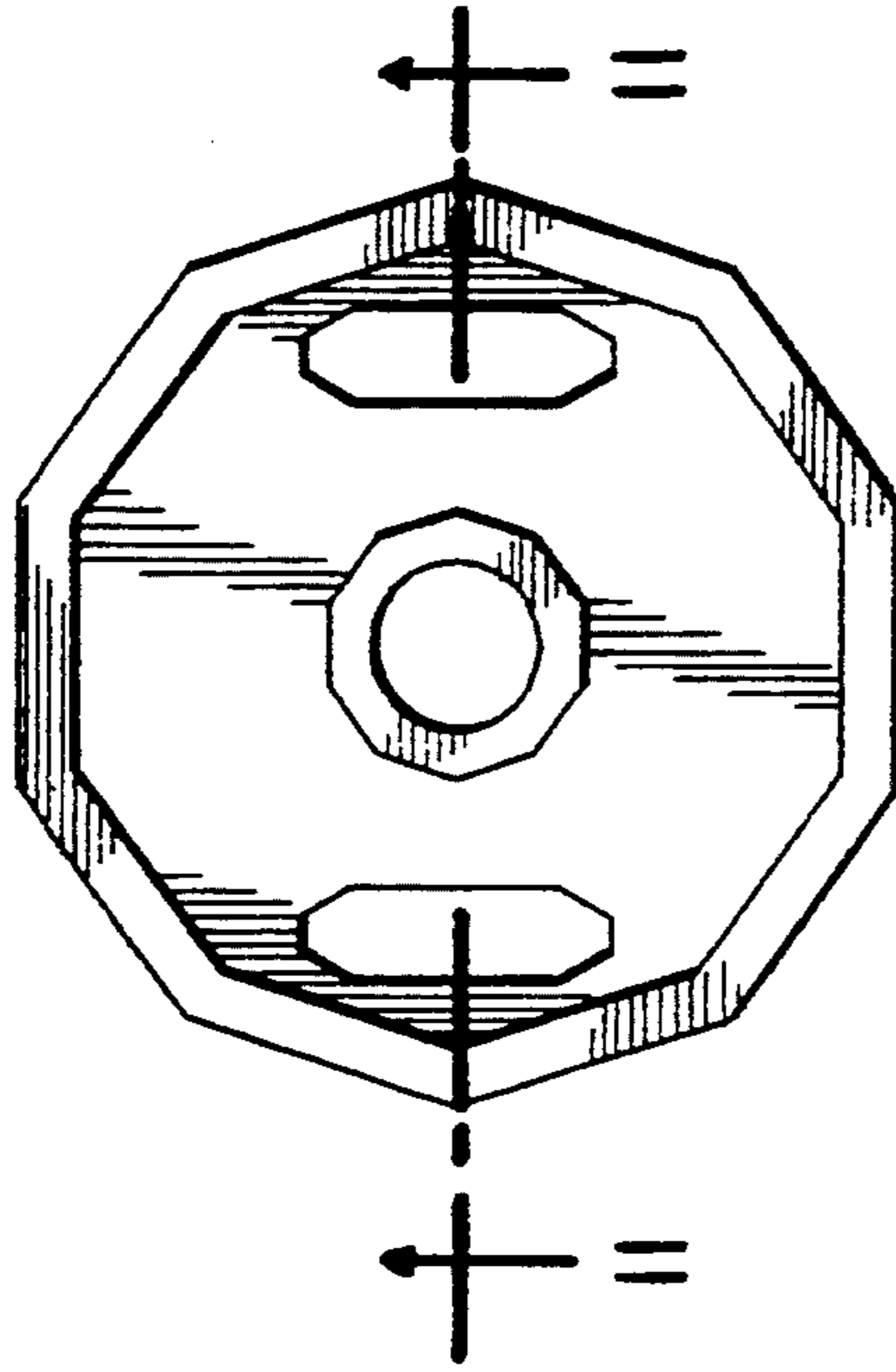


FIG. 10

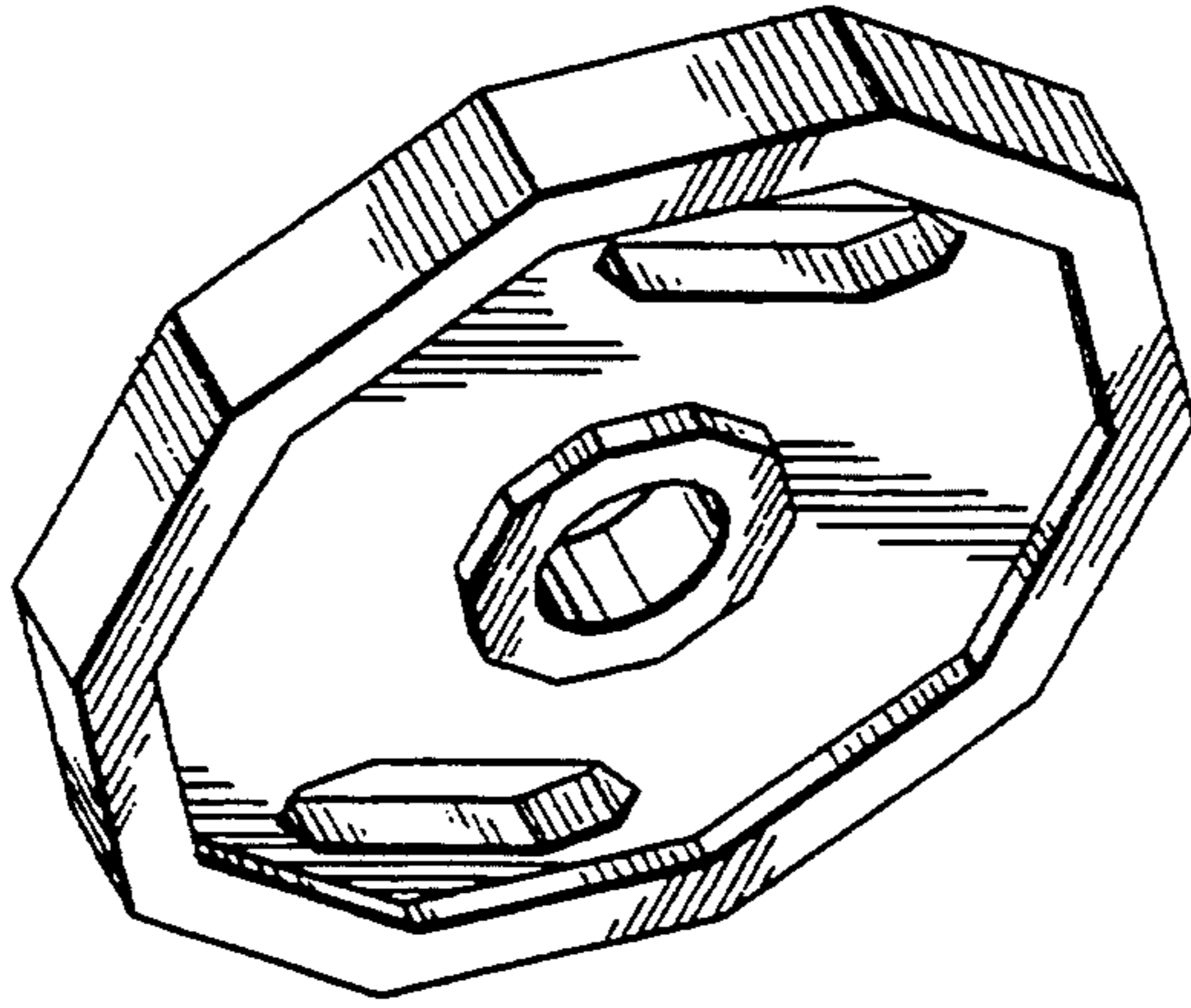


FIG. 11



FIG. 12



FIG. 13

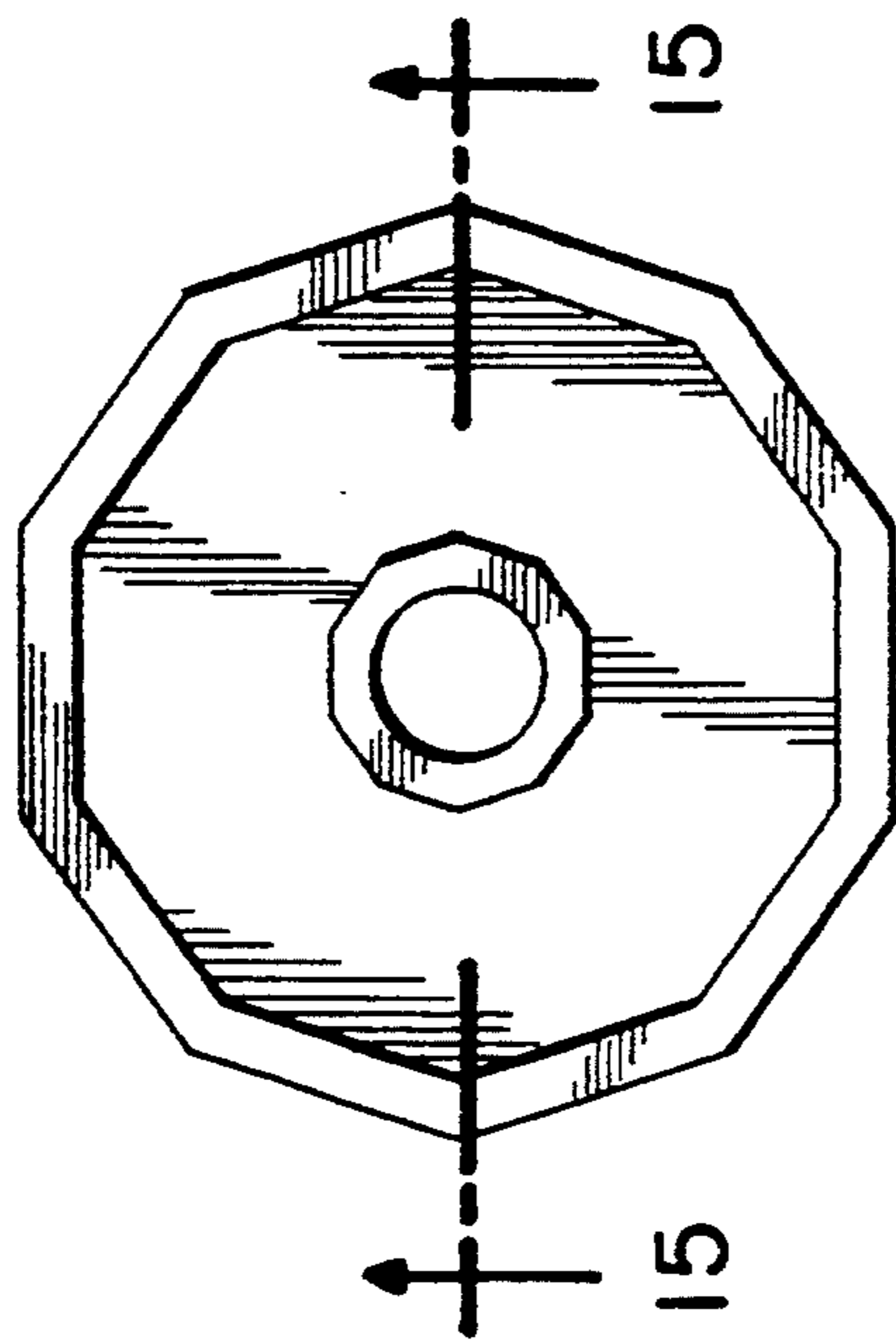


FIG. 14

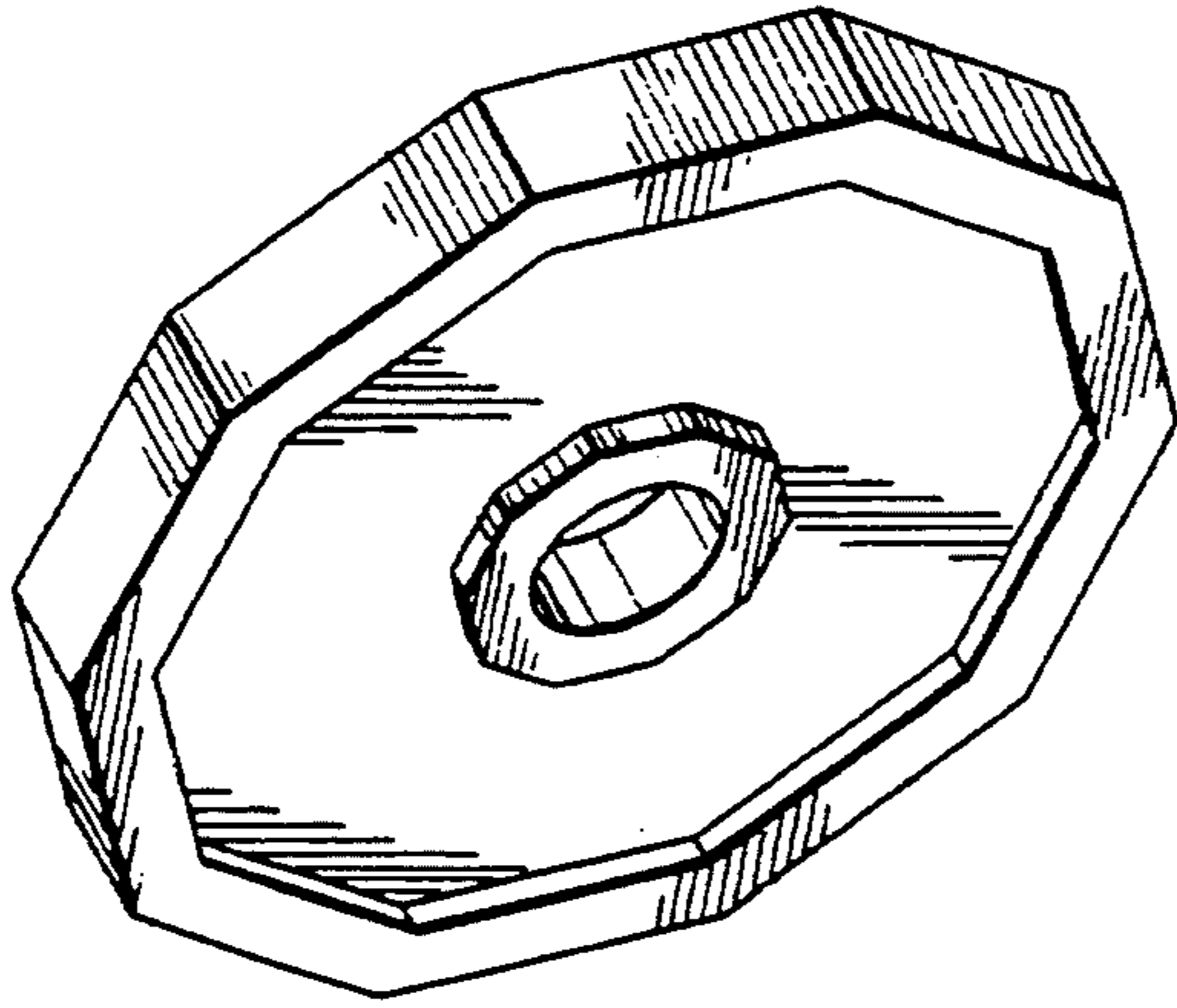


FIG. 15



FIG. 16



FIG. 17

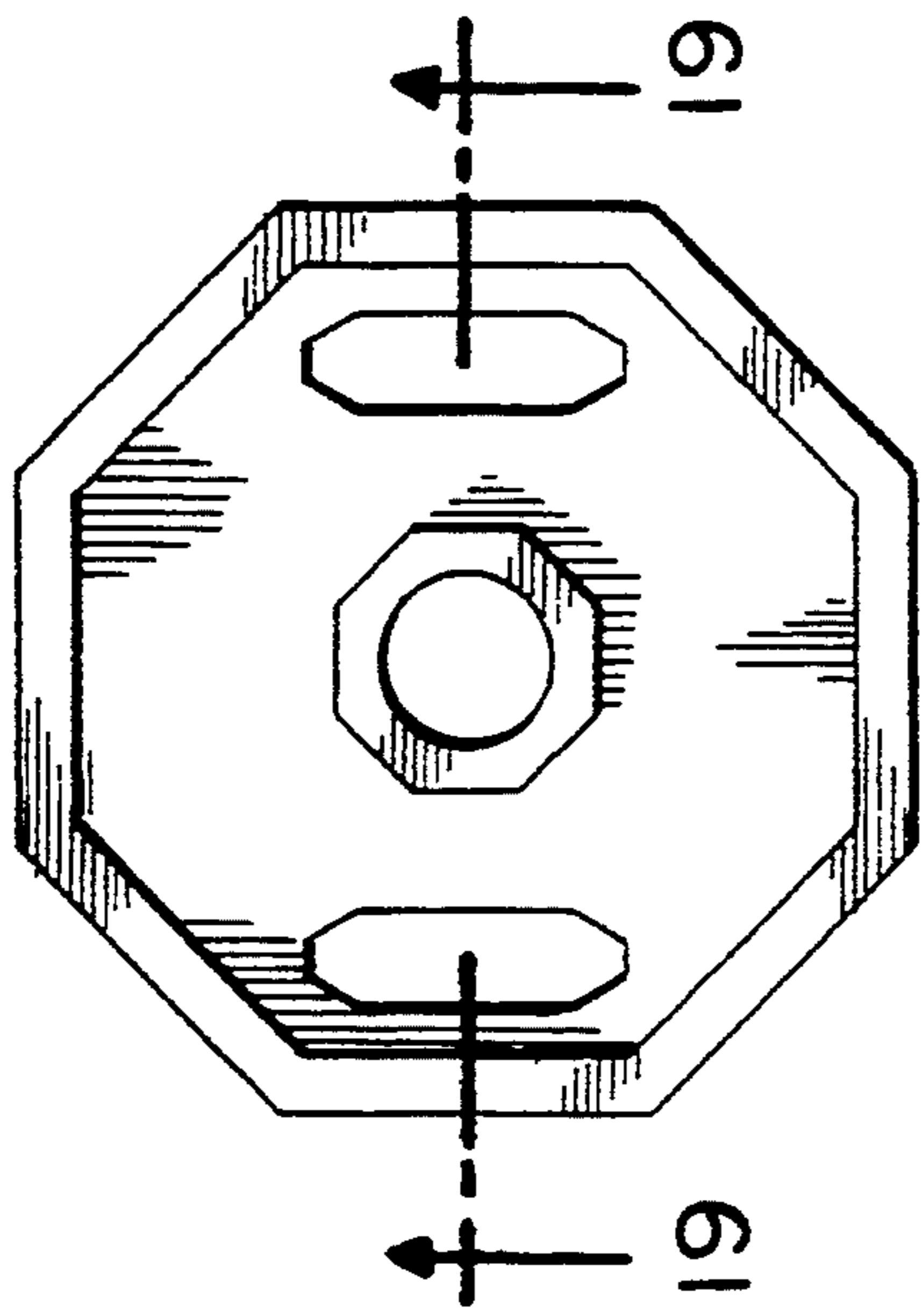


FIG. 18

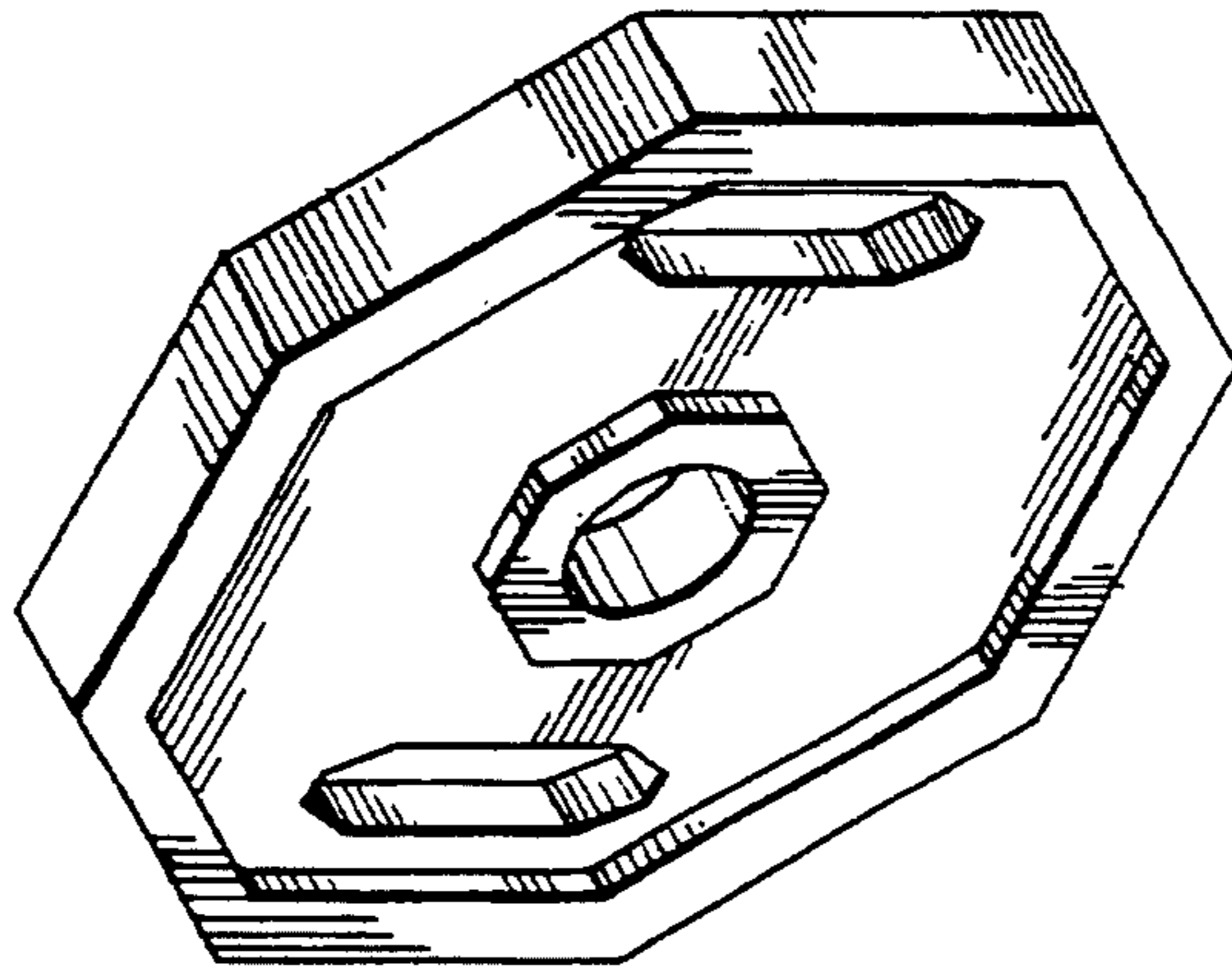


FIG. 19



FIG. 20



FIG. 21

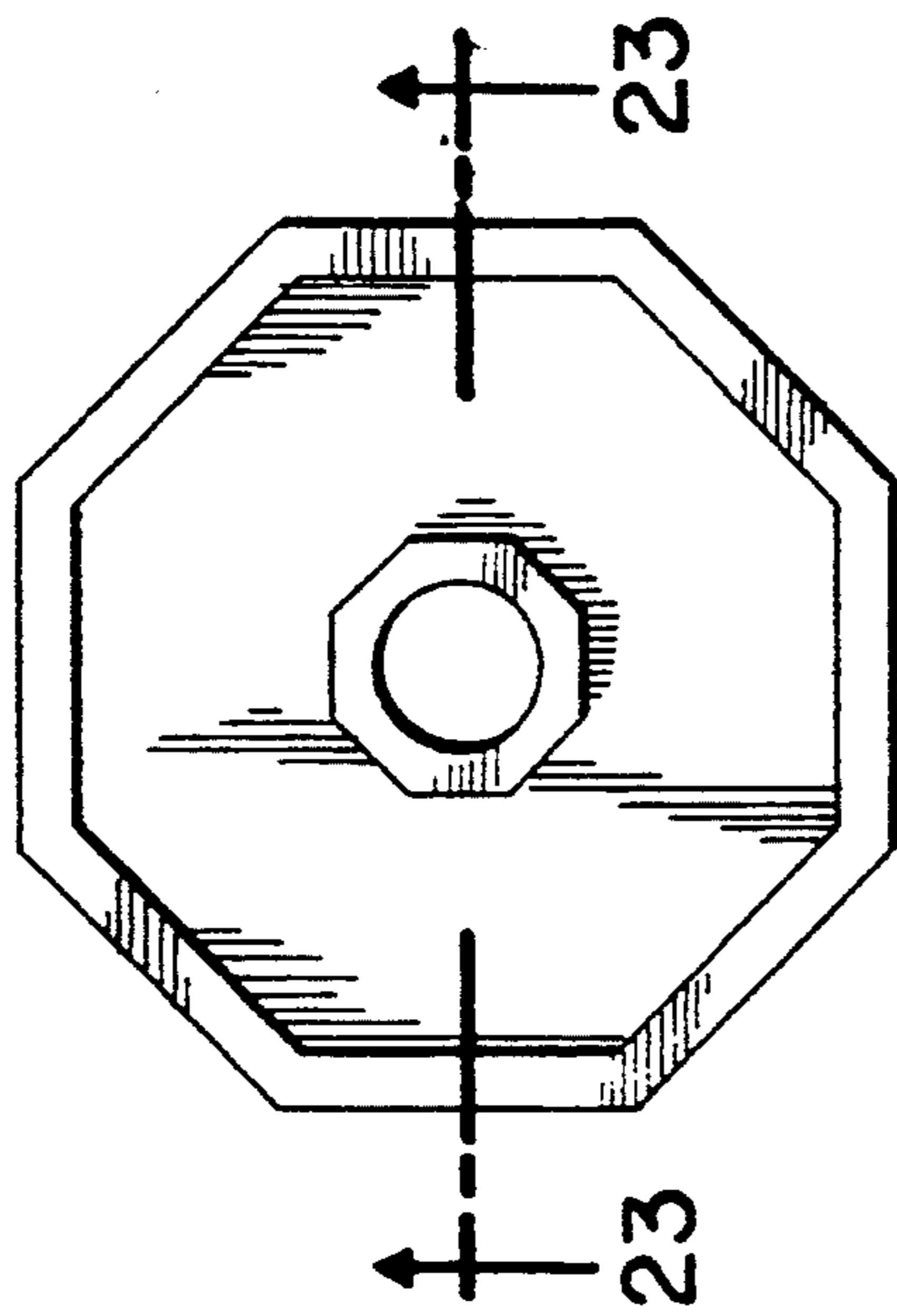


FIG. 22

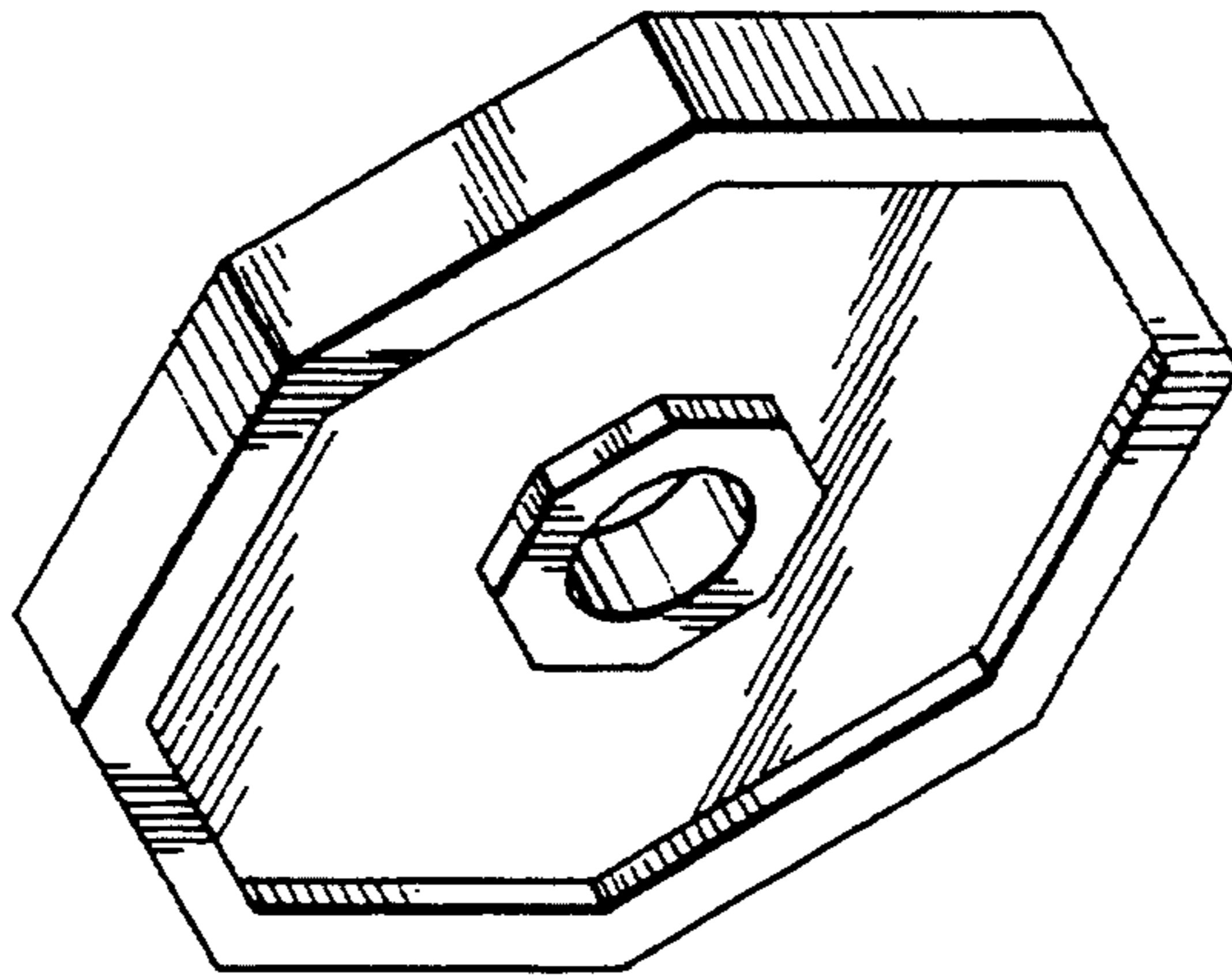


FIG. 23

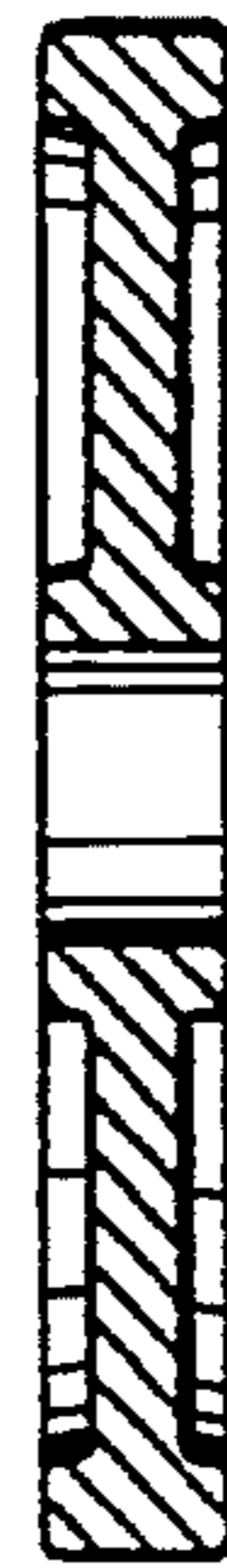


FIG. 24

