



US00D355005S

United States Patent [19]

Voohanel, Jr.

[11] Patent Number: **Des. 355,005**

[45] Date of Patent: **** Jan. 31, 1995**

[54] **LEG EXERCISE APPARATUS**

[76] Inventor: **Joseph J. Voohanel, Jr.**, 10937 S. Groveland Ave., Whittier, Calif. 90603

[**] Term: **14 Years**

[21] Appl. No.: **15,132**

[22] Filed: **Nov. 9, 1993**

[52] U.S. Cl. **D21/191**

[58] Field of Search **D21/191, 235; 482/38, 482/41, 42, 140, 141, 121**

| | | | |
|-----------|---------|---------------------|--------|
| 3,944,219 | 3/1976 | Lo Presti | 482/38 |
| 4,227,688 | 10/1980 | Senoh et al. | 482/38 |
| 4,850,589 | 7/1989 | Block | 482/41 |
| 5,156,580 | 10/1992 | Holland et al. | 482/38 |

Primary Examiner—Theodore M. Shooman

Assistant Examiner—Philip Hyder

[57] **CLAIM**

The ornamental design for a leg exercise apparatus, as shown and described.

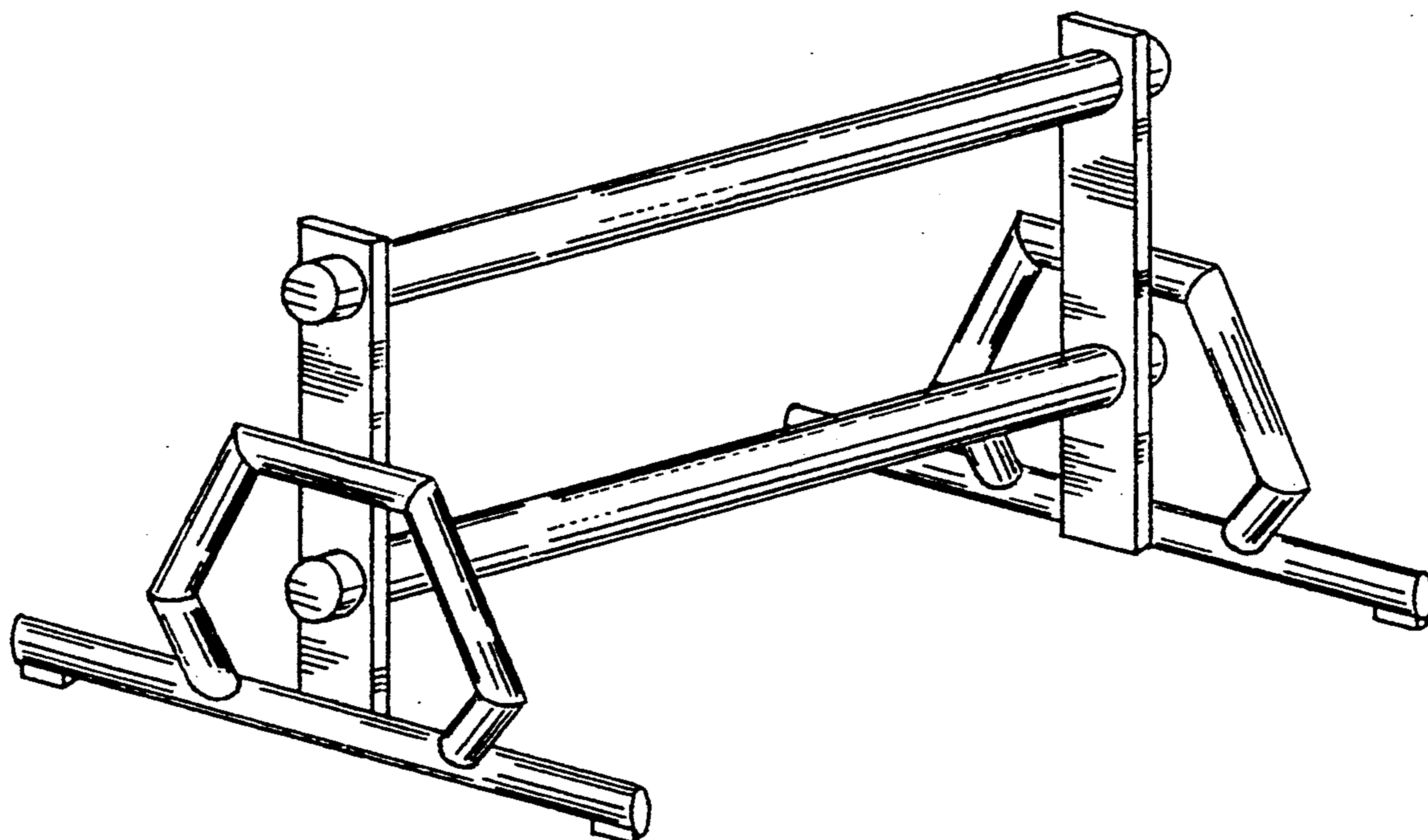
DESCRIPTION

FIG. 1 is an isometric view of my leg exercise apparatus showing my new design;
 FIG. 2 is a right side elevational view; the left side is identical;
 FIG. 3 is a top plan view;
 FIG. 4 is the front elevational view; the rear view is identical; and,
 FIG. 5 is the bottom view.

[56] **References Cited**

U.S. PATENT DOCUMENTS

| | | | |
|-----------|--------|----------------------|---------|
| 1,410,149 | 3/1922 | Williams et al. | 482/38 |
| 1,495,536 | 5/1924 | Smith | 482/38 |
| 2,932,510 | 4/1960 | Kravitz | D21/191 |
| 3,430,954 | 3/1969 | Massey | 482/38 |



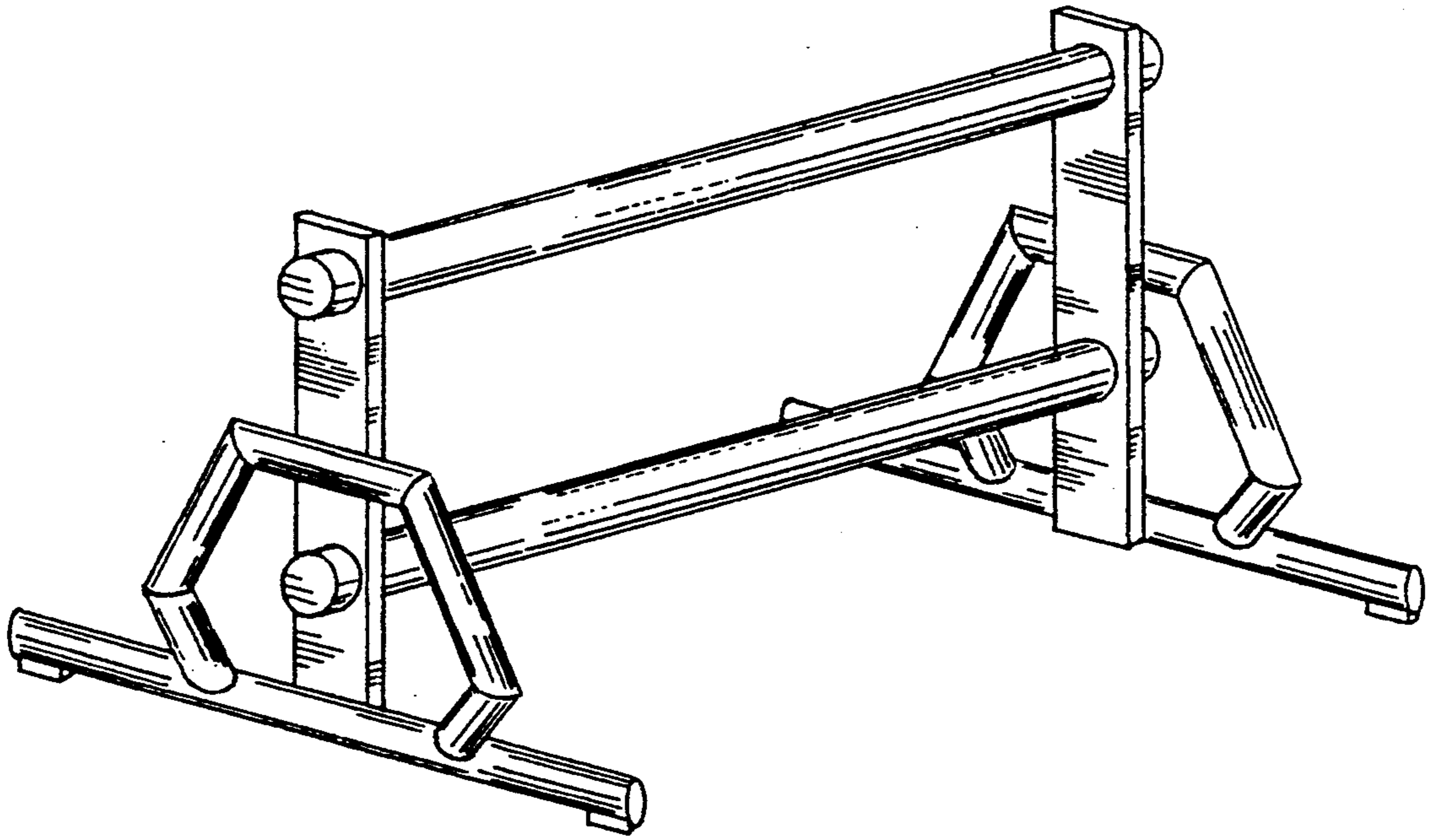


FIG. 1.

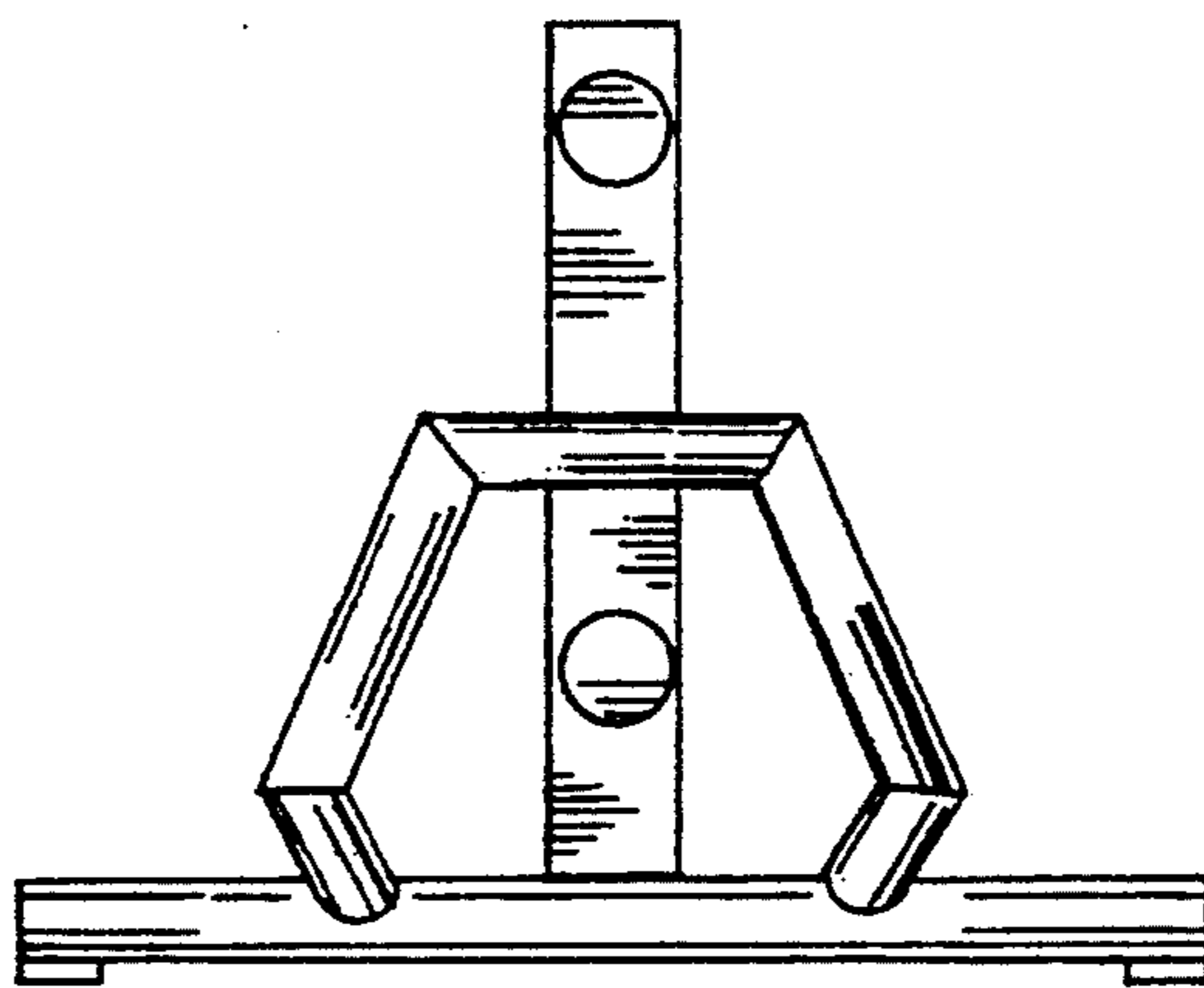


FIG. 2

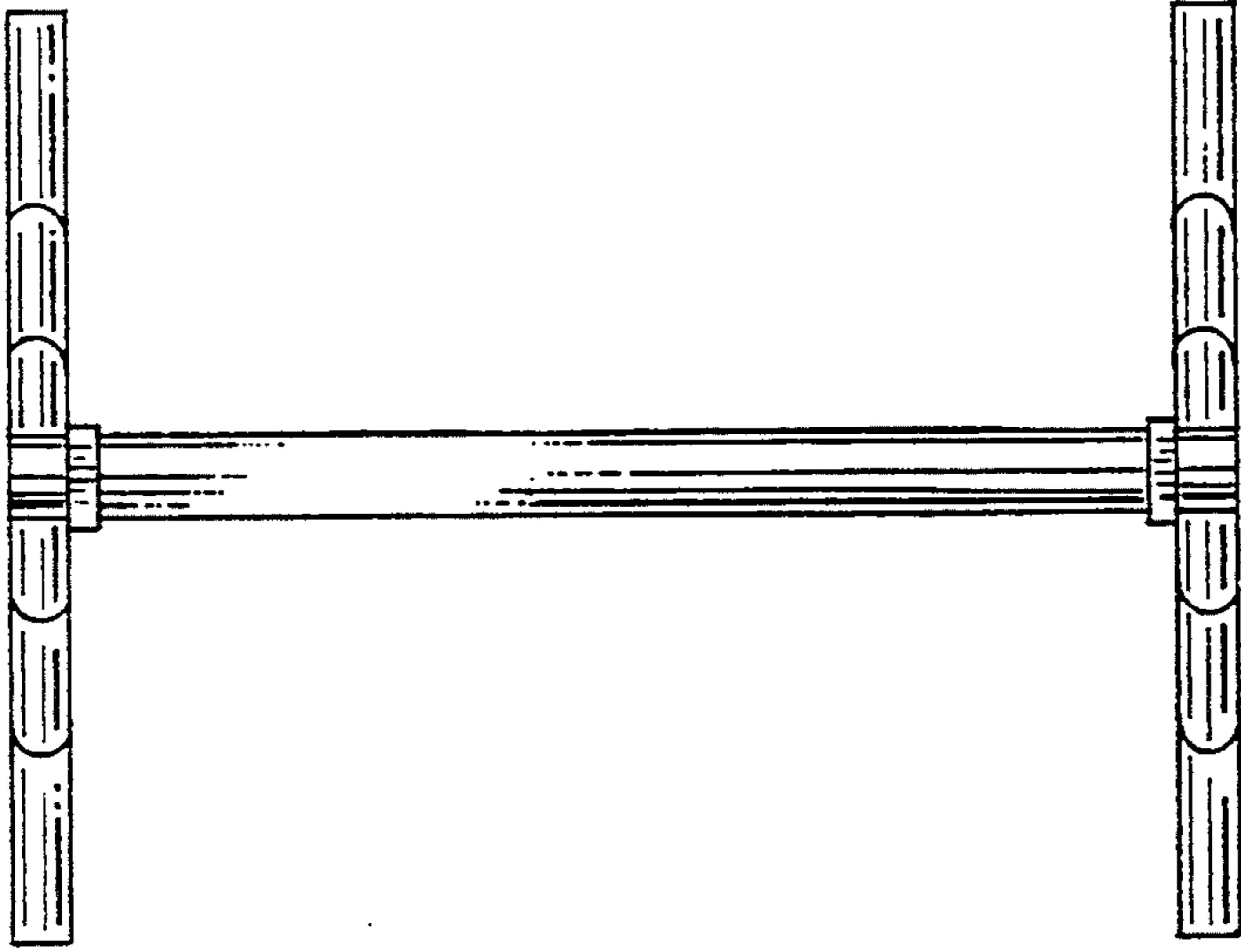


FIG. 3

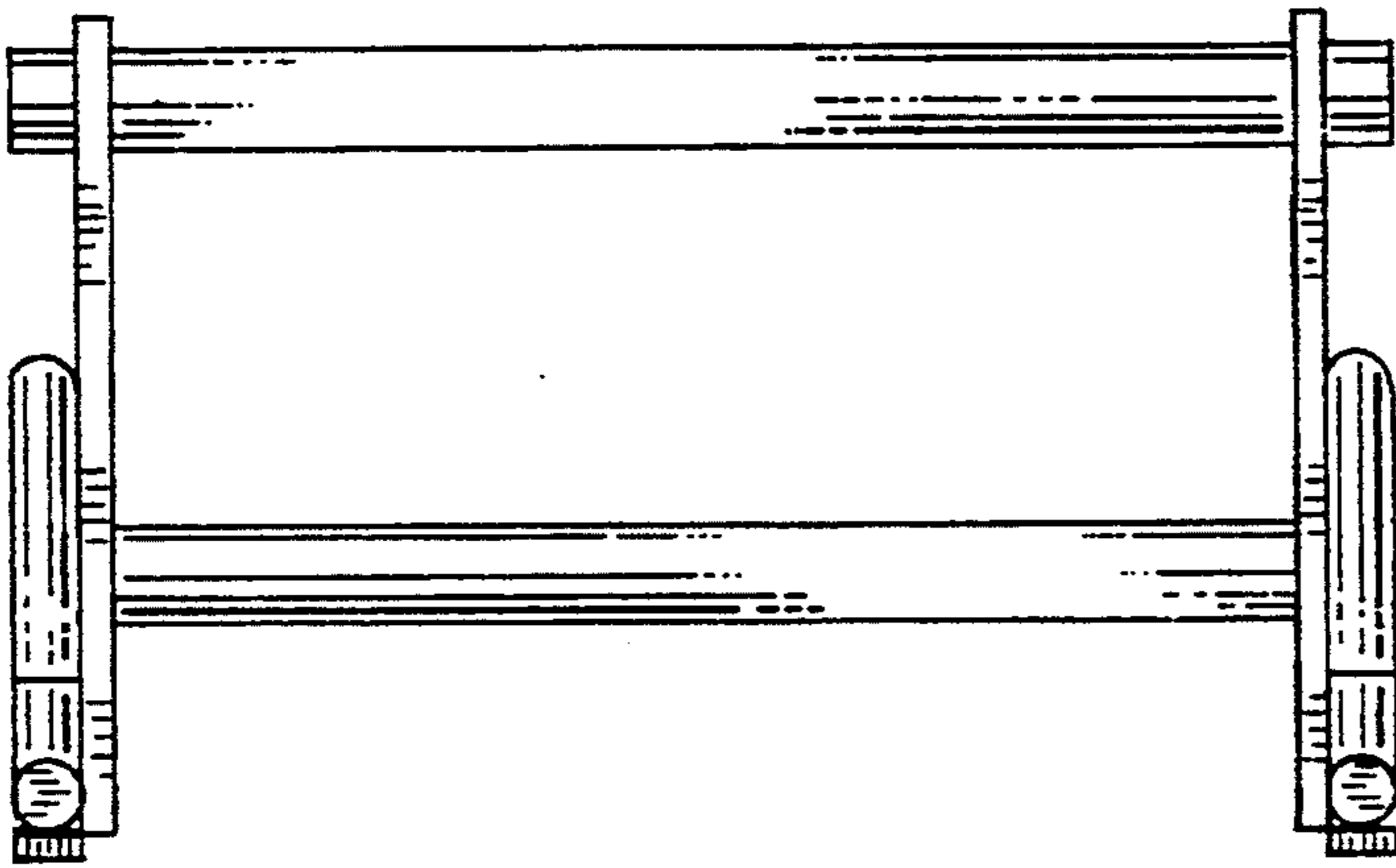


FIG. 4

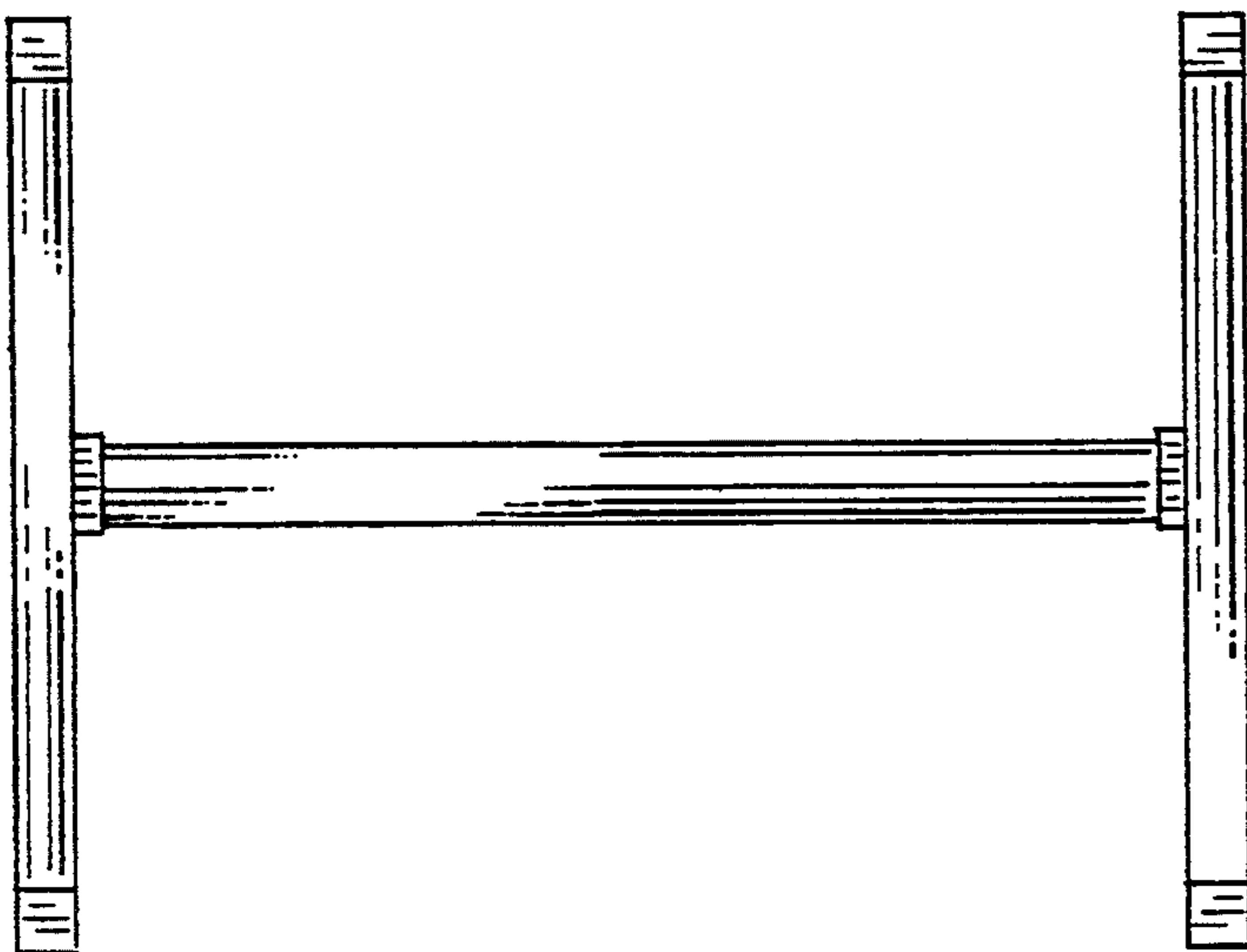


FIG. 5