



US00D355004S

United States Patent [19]

Hanning, Jr.

[11] Patent Number: **Des. 355,004**

[45] Date of Patent: **** Jan. 31, 1995**

[54] **BEACH CHAIR EXERCISER**

[76] Inventor: **John C. Hanning, Jr.**, 4850-B Cass St., San Diego, Calif. 92109

[**] Term: **14 Years**

[21] Appl. No.: **14,432**

[22] Filed: **Oct. 21, 1993**

[52] U.S. Cl. **D21/191; D6/368**

[58] Field of Search **D21/191, 237; D6/382, D6/368, 596, 375; D24/183; 482/140, 142, 144**

D. 338,580 8/1993 Evans D6/368
 D. 343,525 1/1994 Wright D6/368
 3,680,917 8/1972 Harris D24/183
 4,750,741 6/1988 Smolanovich 482/142

Primary Examiner—Bernard Ansher
Assistant Examiner—Philip Hyder
Attorney, Agent, or Firm—Poms, Smith, Lande & Rose

[57] CLAIM

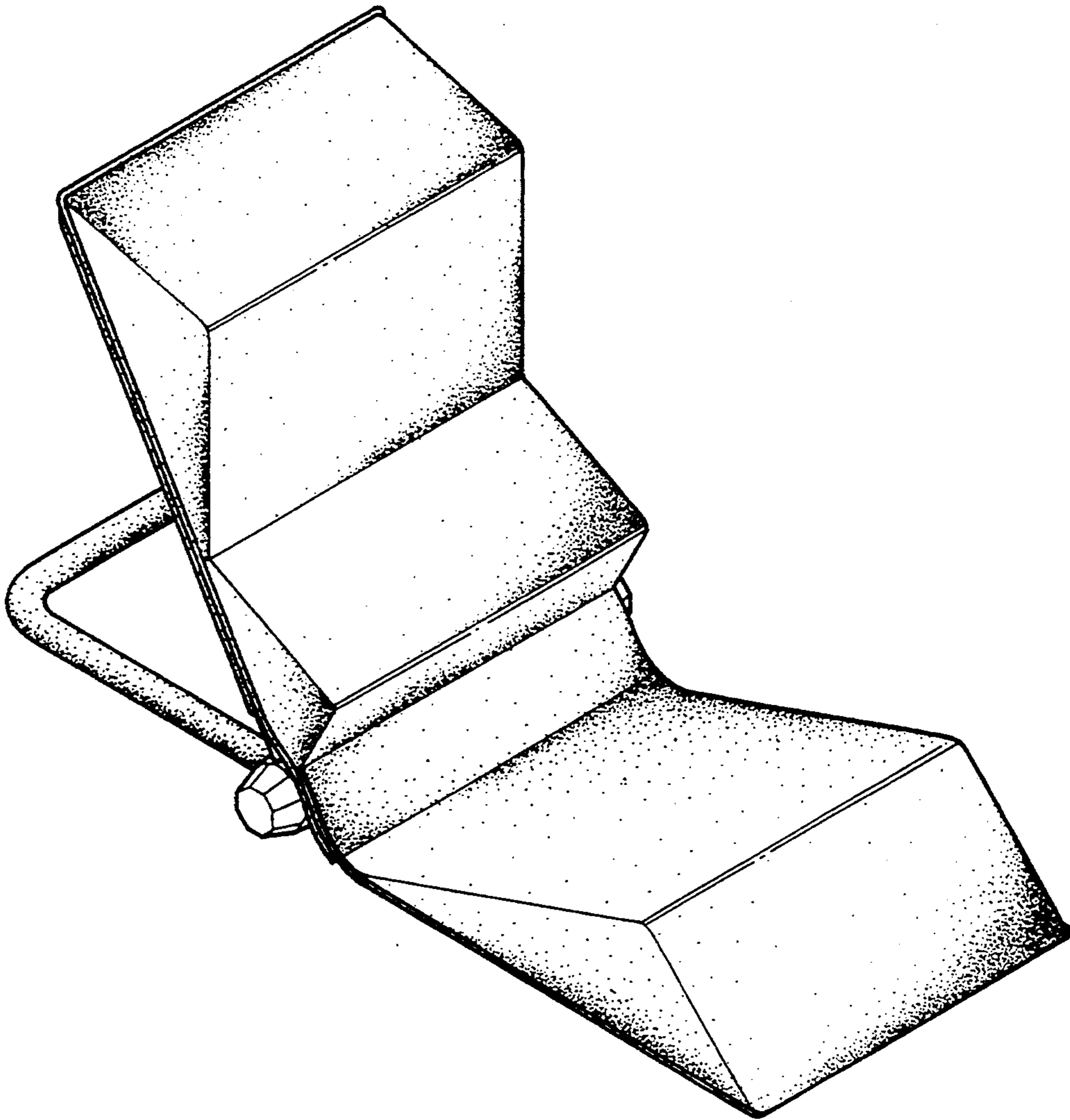
The ornamental design for a beach chair exerciser, as shown and described.

DESCRIPTION

FIG. 1 is a front-right-top perspective view of a beach chair exerciser, showing my new design;
 FIG. 2 is a front elevational view thereof, the opposite side being a mirror image;
 FIG. 3 is a left elevational view thereof;
 FIG. 4 is a right elevational view thereof;
 FIG. 5 is a top plan view thereof; and,
 FIG. 6 is a bottom plan view thereof.

[56] **References Cited**
U.S. PATENT DOCUMENTS

D. 246,816	1/1978	Tam et al.	D6/596
D. 259,752	7/1981	Geschwender	D6/368
D. 280,054	8/1985	Pedersen	D6/368
D. 288,632	3/1987	Grimsrud	D6/596
D. 299,988	2/1989	Parabita	D6/382
D. 303,560	9/1989	Scheurer	D21/237



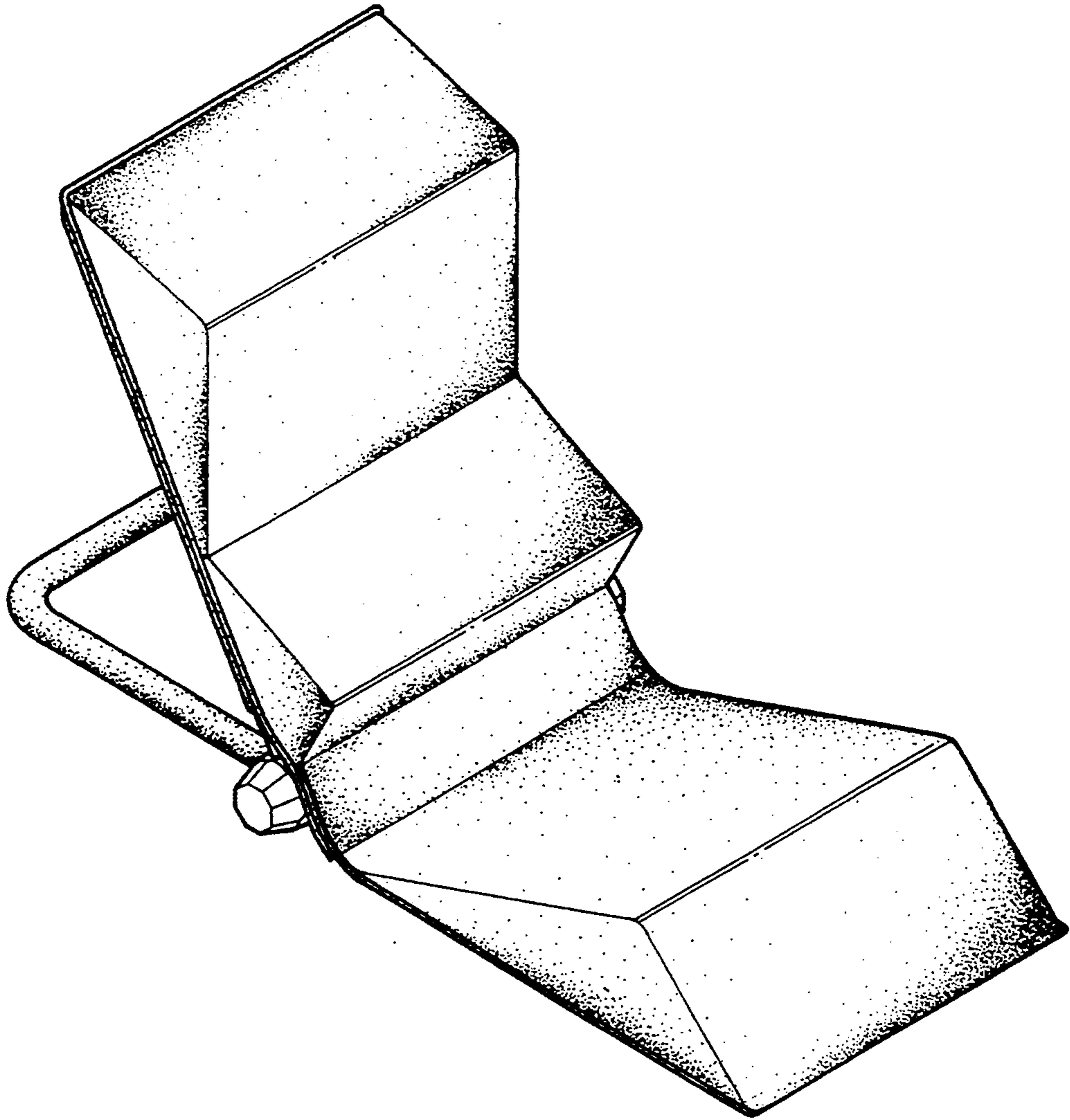


FIG. 1

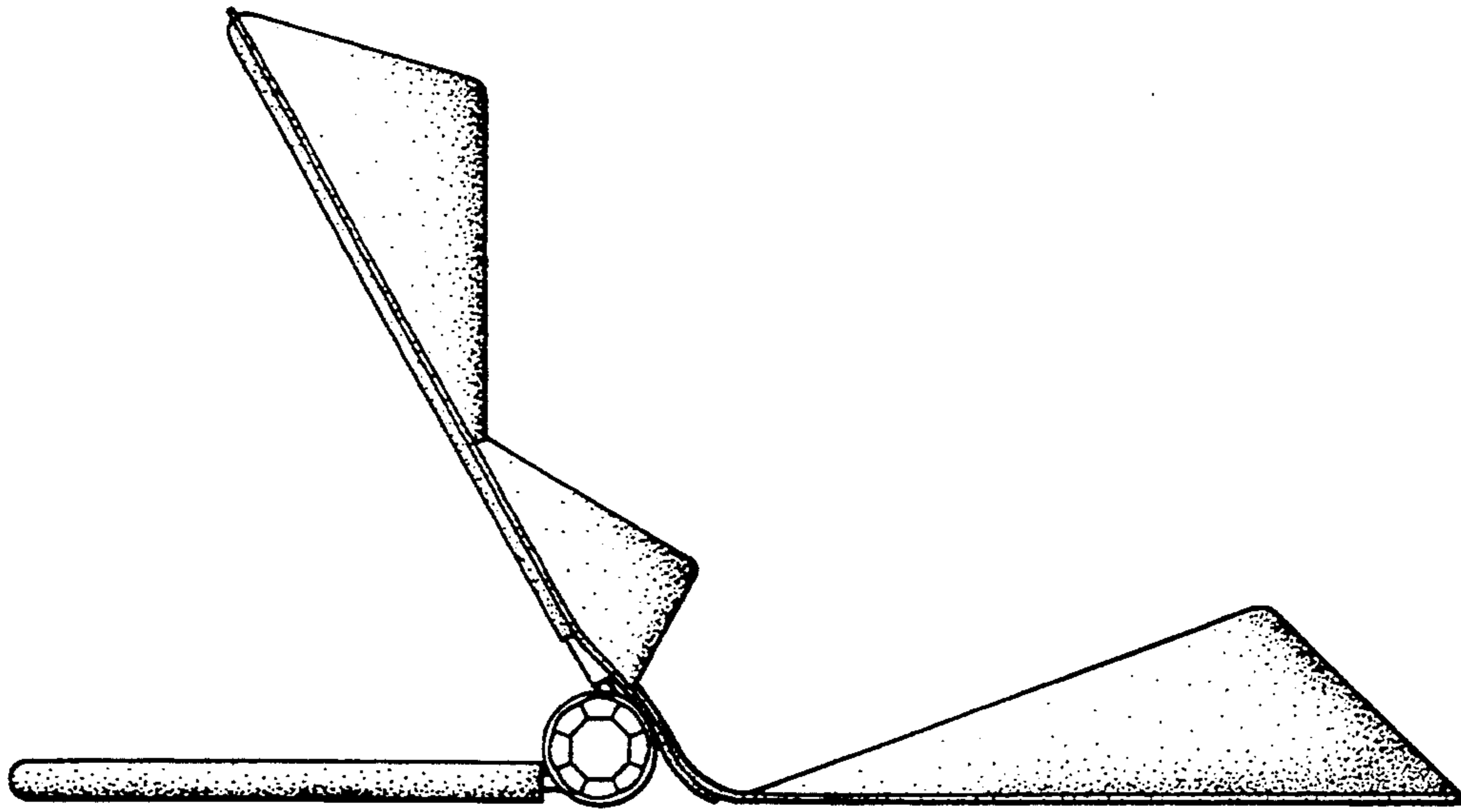


FIG. 2

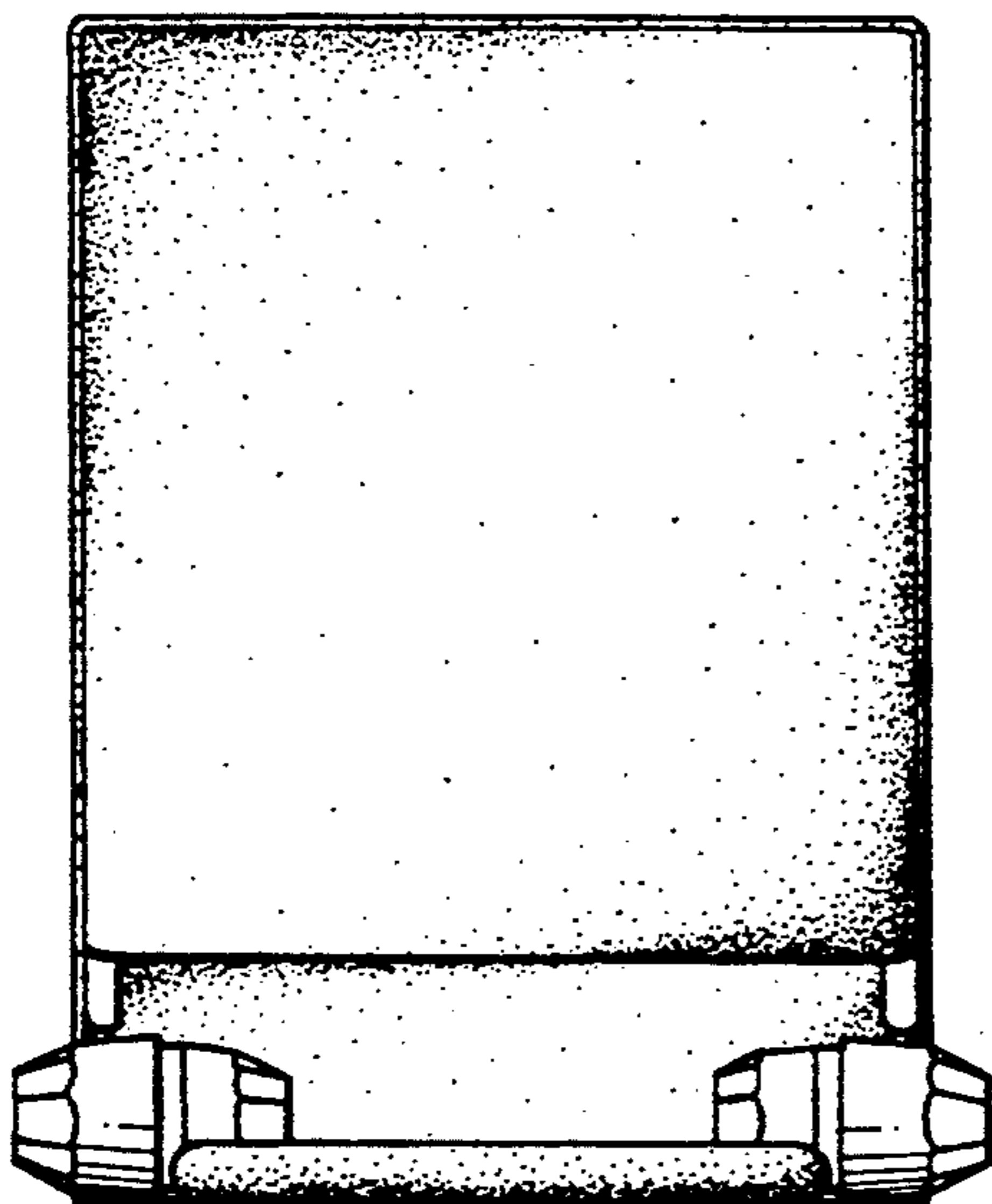


FIG. 3

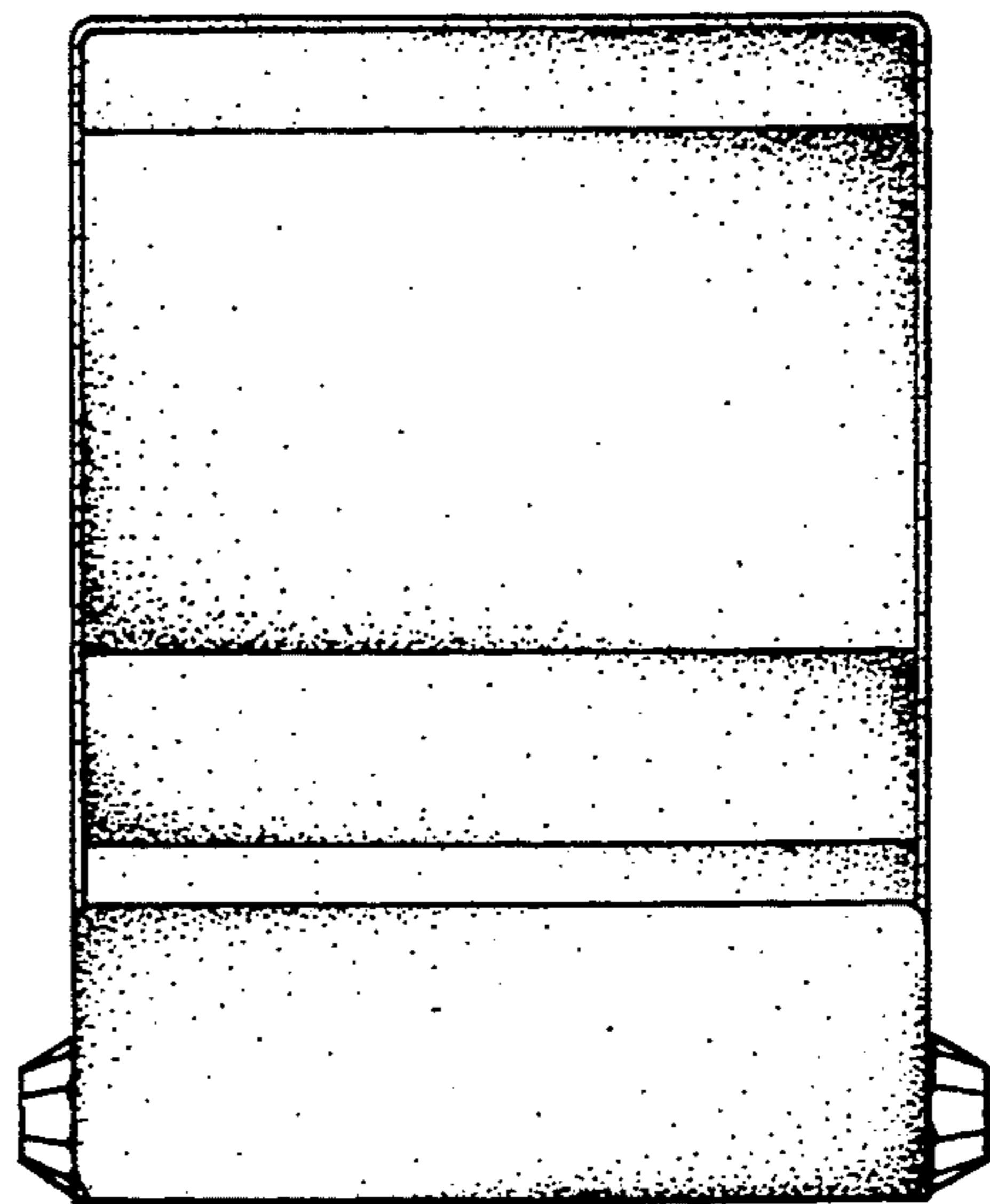


FIG. 4

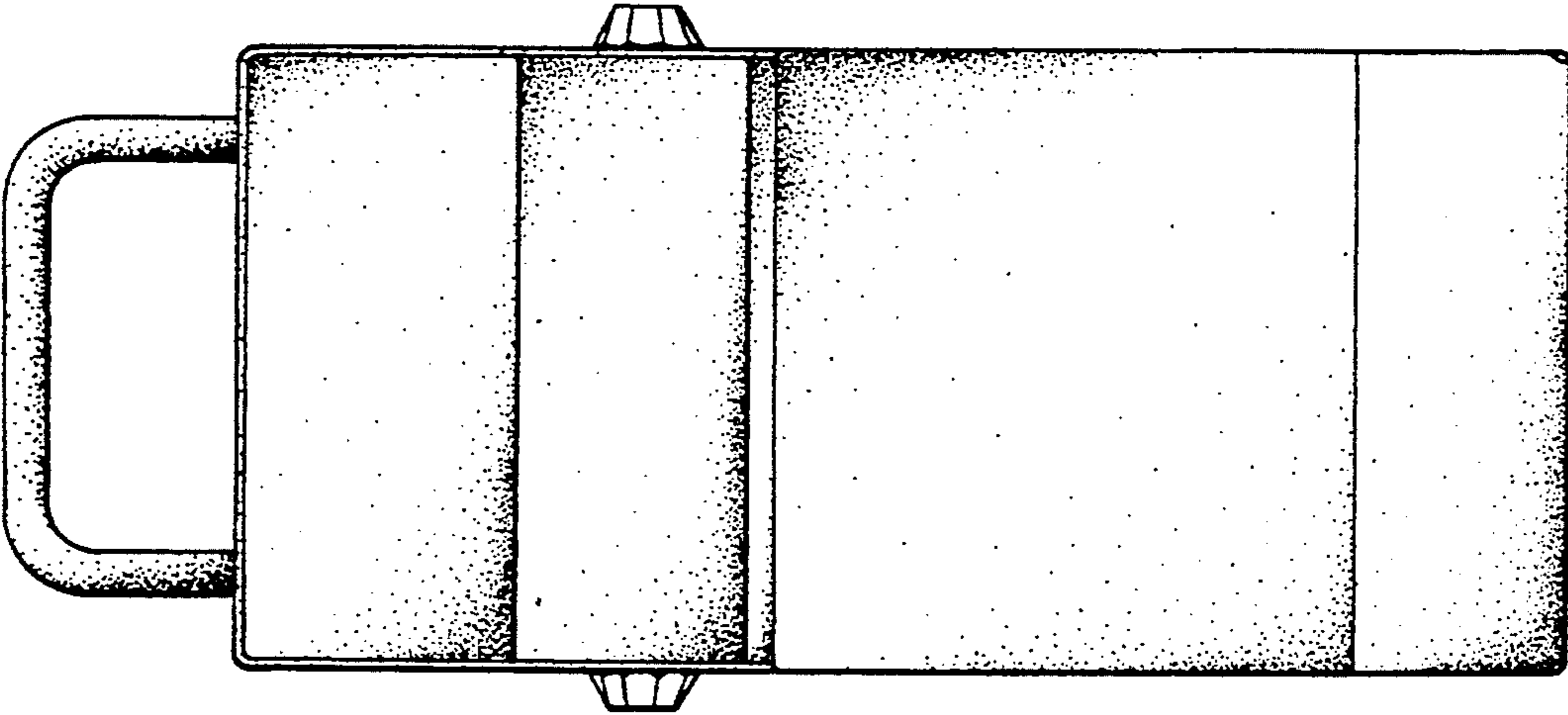


FIG. 5

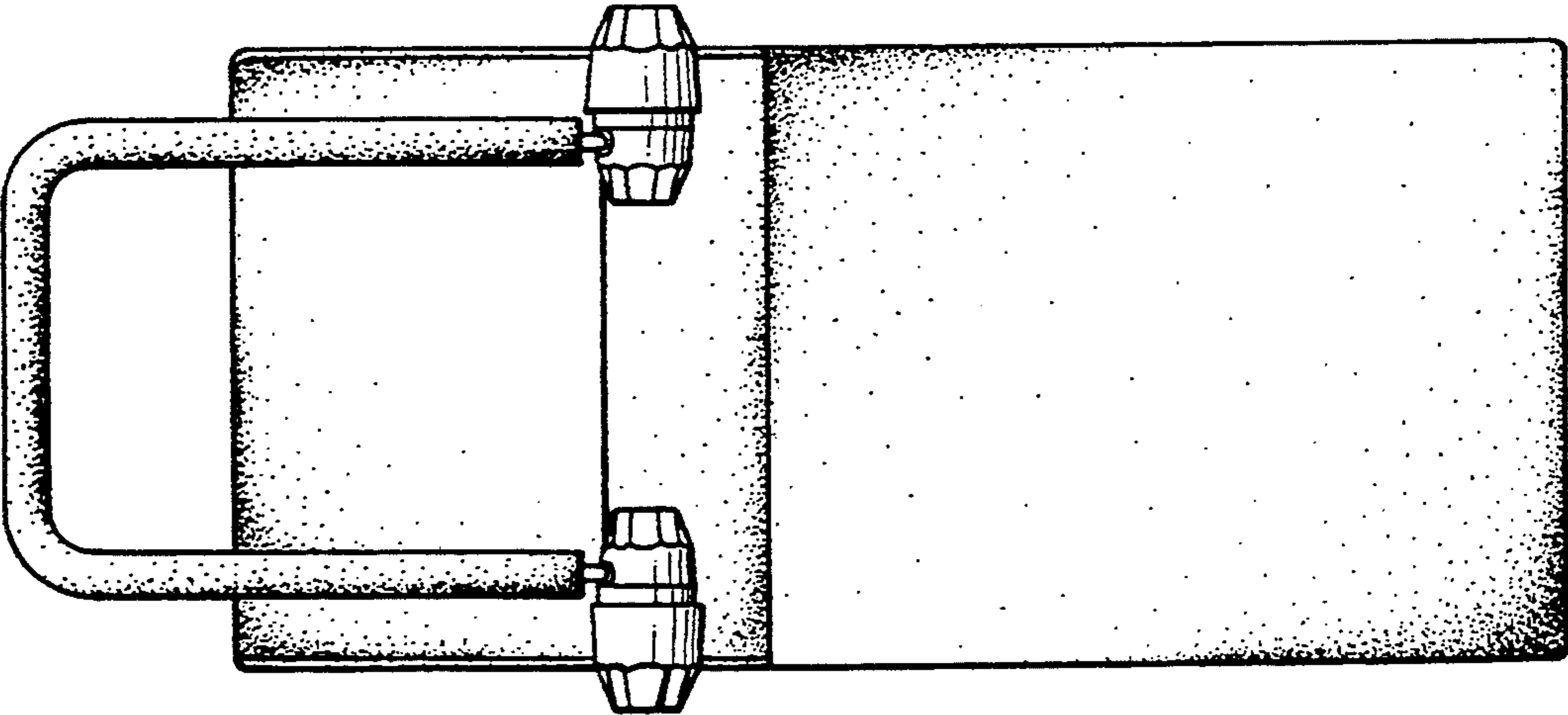


FIG. 6