



US00D355003S

# United States Patent [19]

[11] Patent Number: **Des. 355,003**

Edwards

[45] Date of Patent: **\*\* Jan. 31, 1995**

- [54] EXERCISER BASE HOUSING
- [75] Inventor: Lindell N. Edwards, St. Louis, Mo.
- [73] Assignee: Slender World International, Inc., St. Louis, Mo.
- [\*\*] Term: 14 Years
- [21] Appl. No.: 14,025
- [22] Filed: Oct. 12, 1993
- [52] U.S. Cl. .... D21/191
- [58] Field of Search ..... D21/191, 192, 194, 195; D6/382, 480, 486; D24/183; 482/51, 72, 133, 74, 142, 92, 93, 98, 123

- D. 321,228 10/1991 Van Der Hoeven ..... D21/195
- D. 335,001 4/1993 Drake ..... D24/183
- 3,486,747 12/1969 Cardoso ..... D24/183

*Primary Examiner*—Bernard Ansher  
*Assistant Examiner*—Philip Hyder  
*Attorney, Agent, or Firm*—Polster, Lieder, Woodruff & Lucchesi

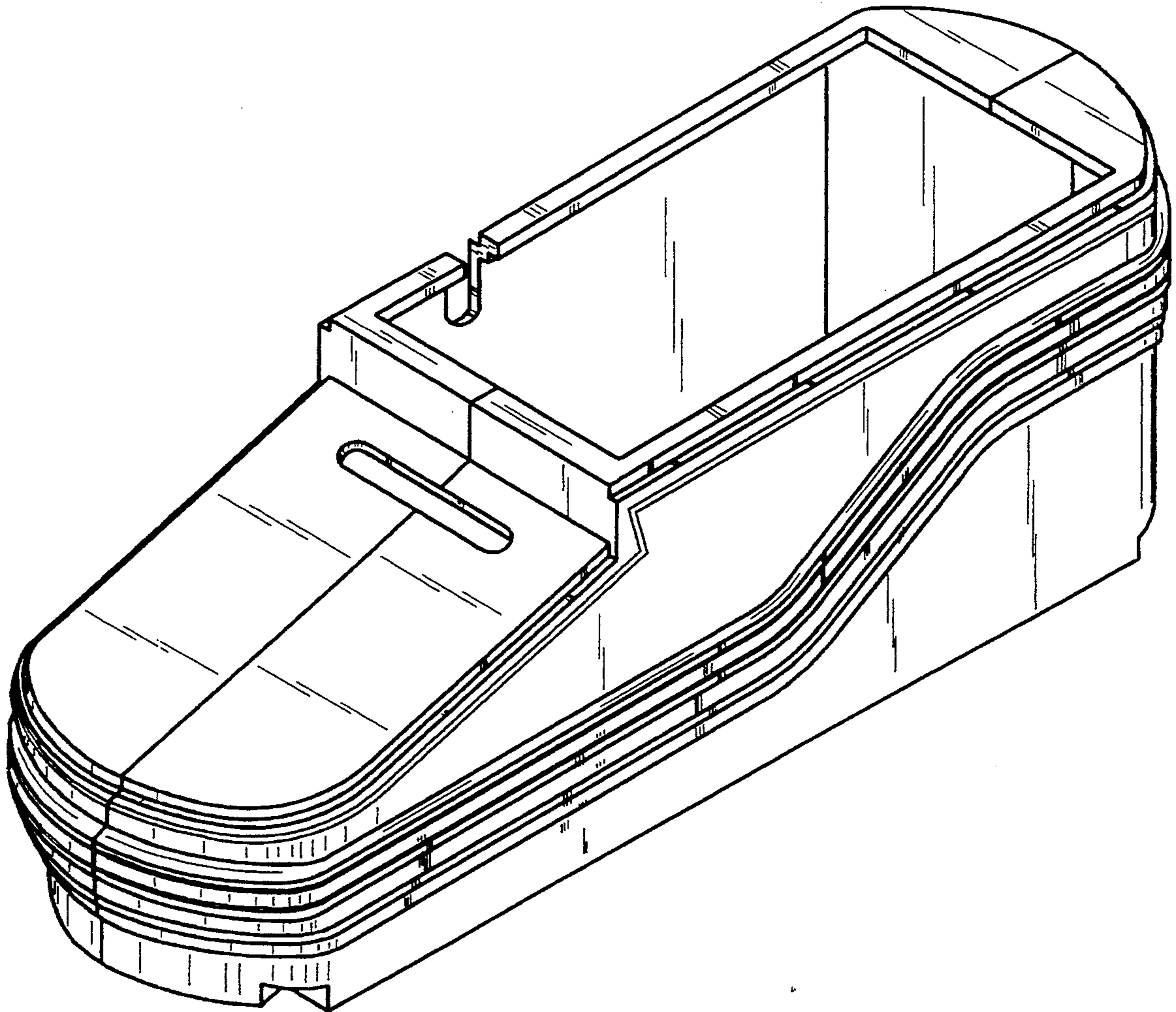
### [57] CLAIM

The ornamental design for an exerciser base housing, as shown and described.

### DESCRIPTION

FIG. 1 is a perspective view of my exerciser base housing;  
 FIG. 2 is a right side elevational view thereof;  
 FIG. 3 is a left side elevational view thereof;  
 FIG. 4 is a top plan view thereof;  
 FIG. 5 is a bottom plan view thereof;  
 FIG. 6 is a front elevational view thereof; and,  
 FIG. 7 is a rear elevational view thereof.

- [56] **References Cited**
- U.S. PATENT DOCUMENTS**
- D. 297,959 10/1988 Dyer et al. .... D21/195
- D. 298,170 10/1988 Masuda et al. .... D24/183
- D. 306,892 3/1990 Pitzen et al. .... D21/194
- D. 321,224 10/1991 Wolff ..... D21/191



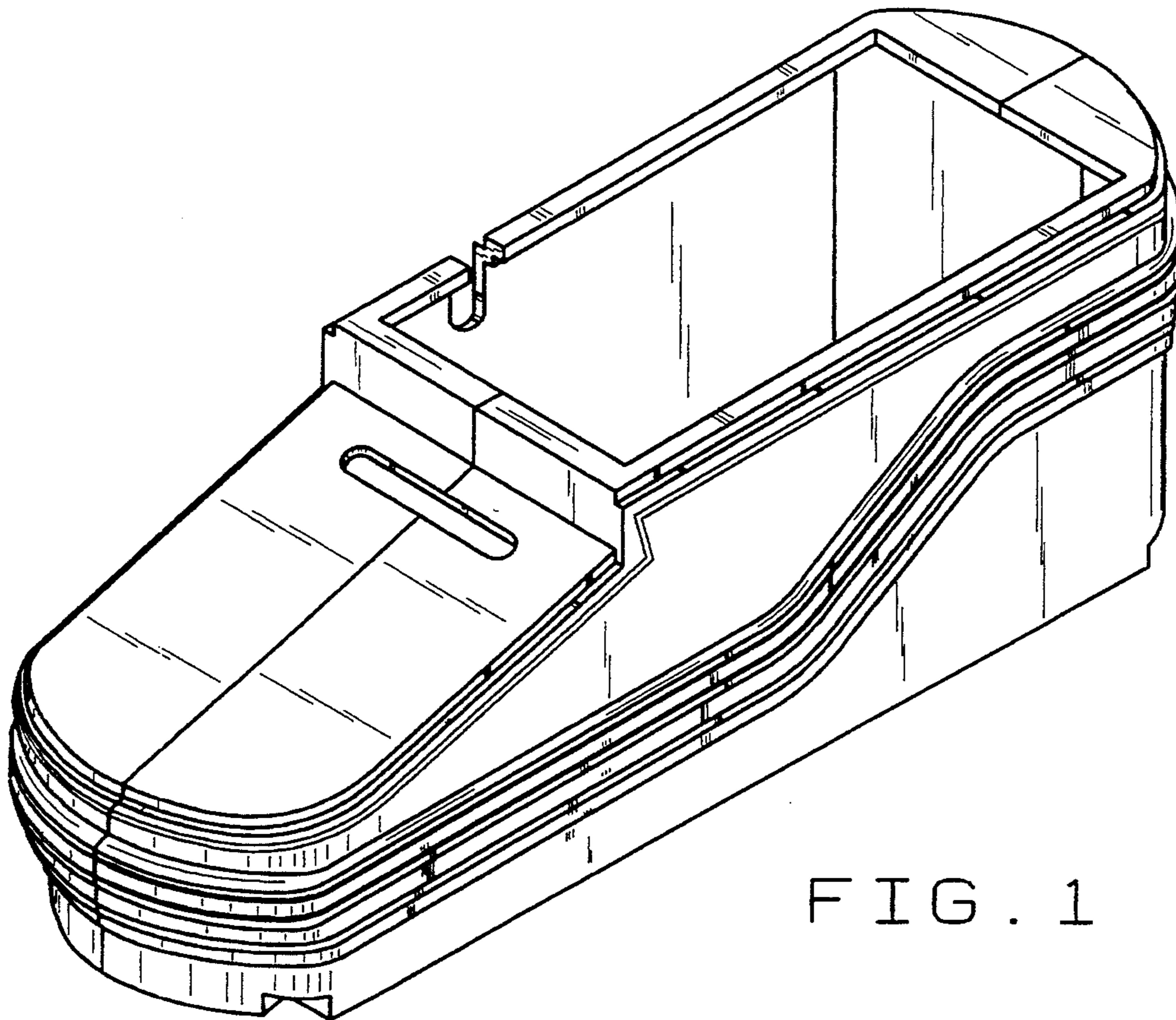


FIG. 1

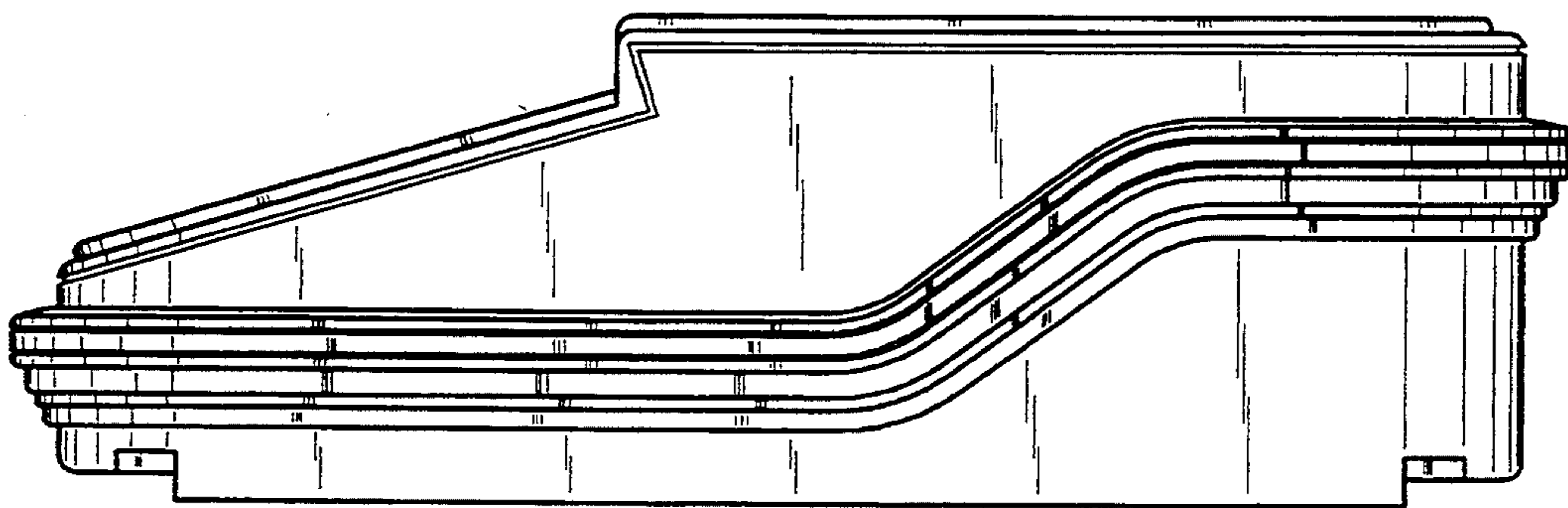


FIG. 2

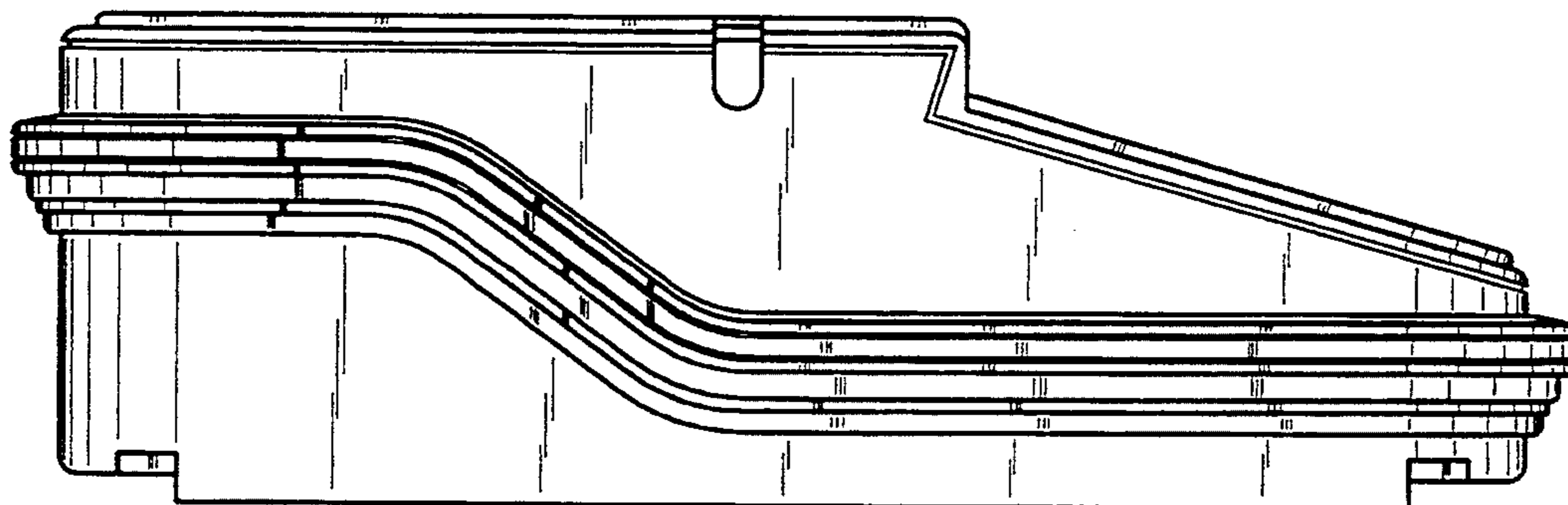


FIG. 3

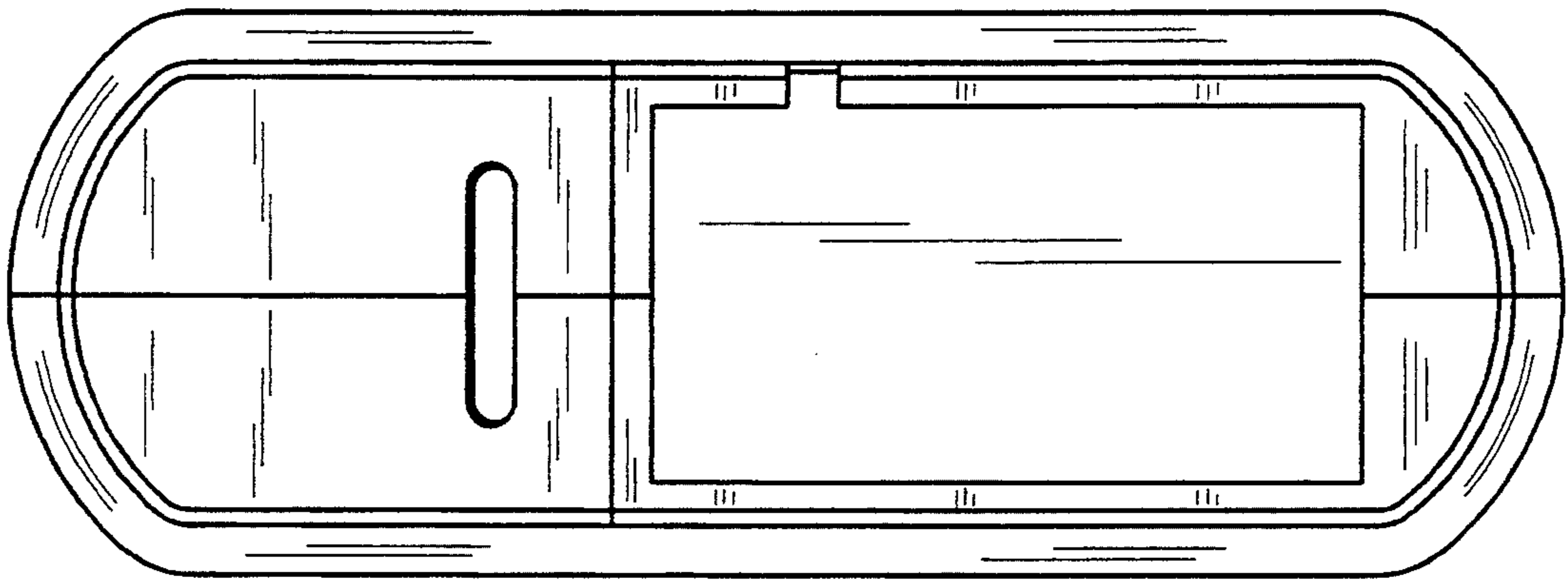


FIG. 4

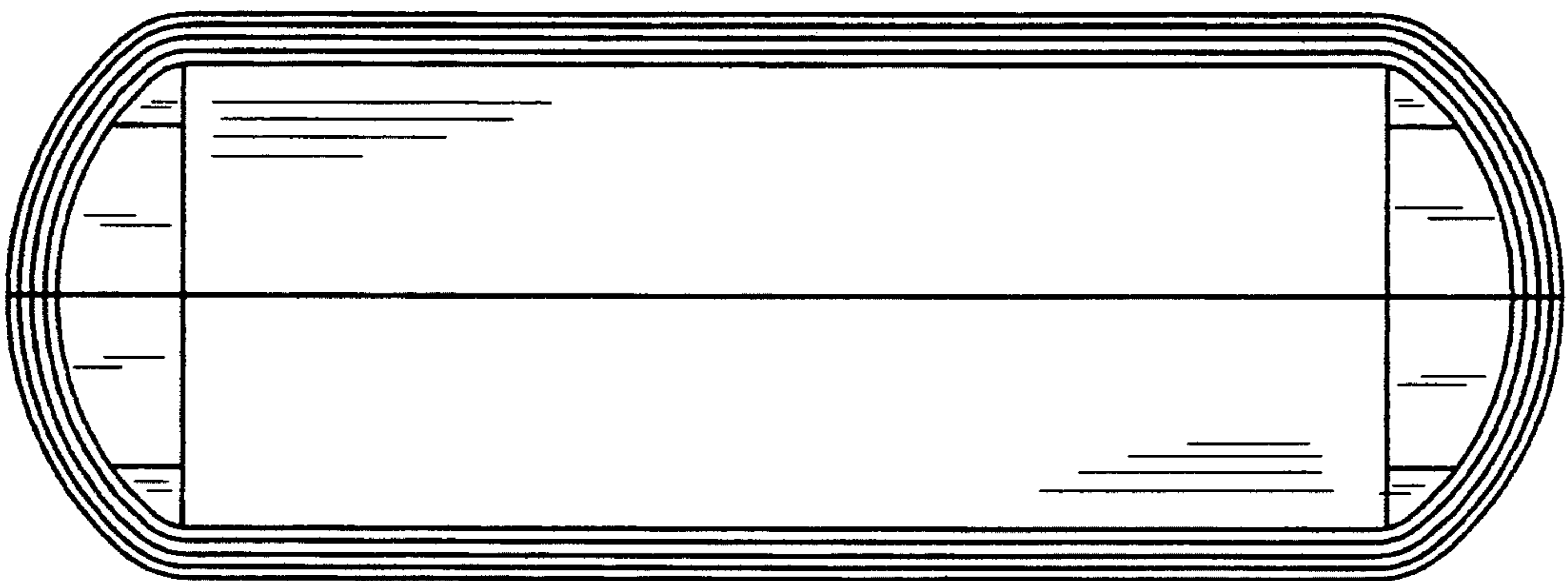


FIG. 5

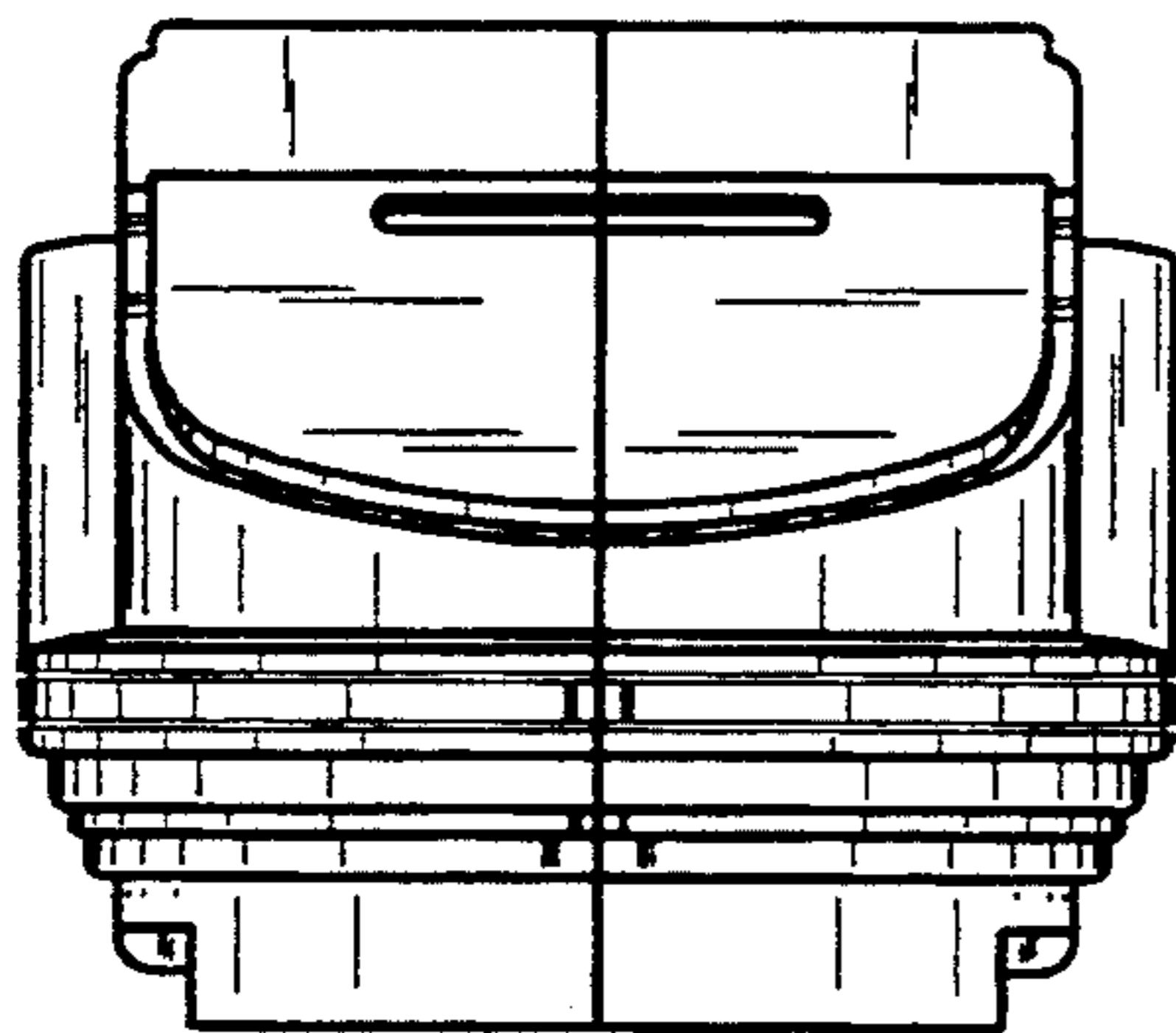


FIG. 6

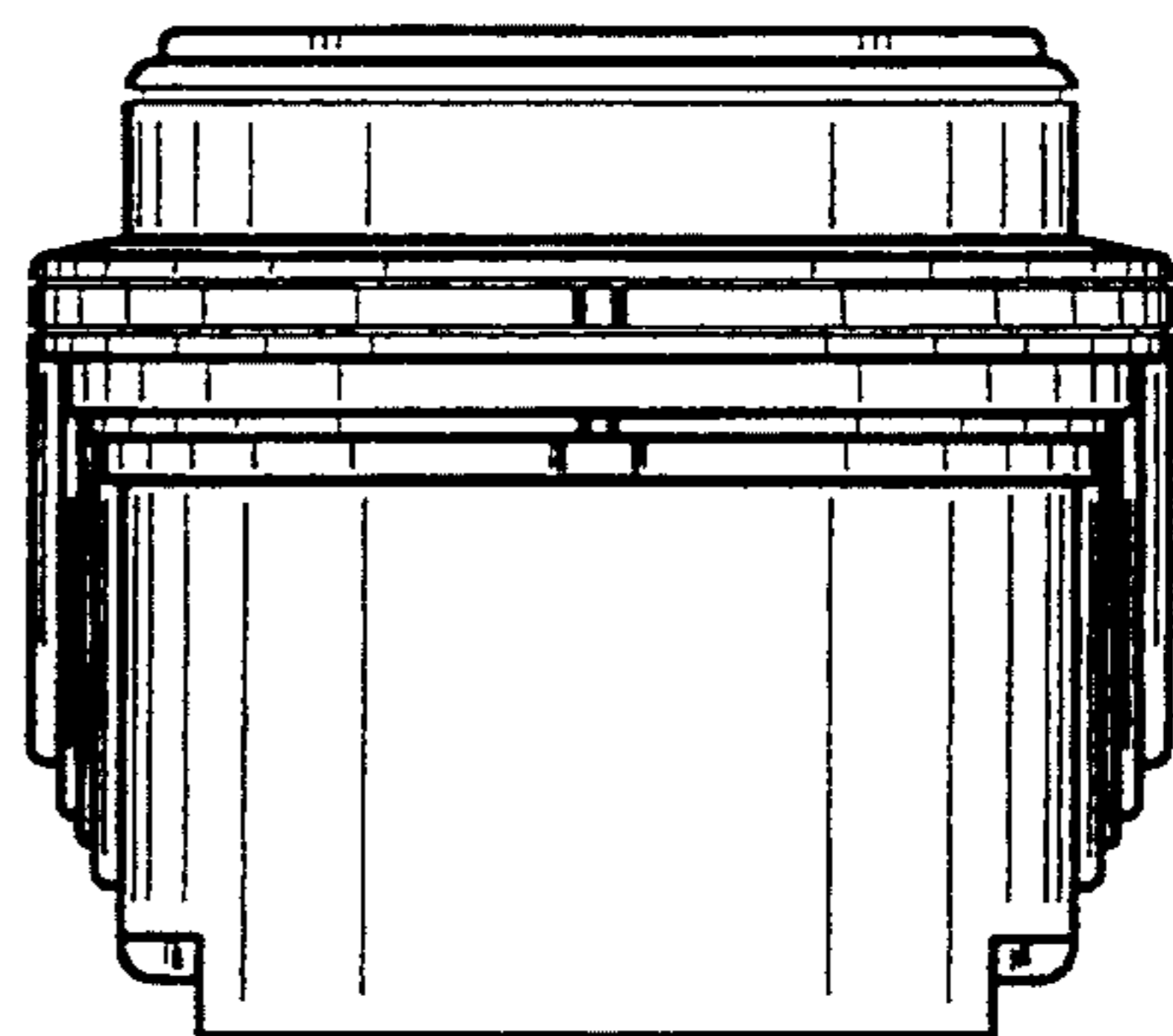


FIG. 7