



US00D355001S

United States Patent [19]
Koblick

[11] **Patent Number: Des. 355,001**
[45] **Date of Patent: ** Jan. 31, 1995**

[54] **PHYSICAL EXERCISE PLATFORM**

[76] **Inventor: Jeffrey M. Koblick, 351 Townes Rd., Wayzata, Minn. 55391**

[*] **Notice:** The portion of the term of this patent subsequent to Oct. 25, 2008 has been disclaimed.

[**] **Term: 14 Years**

[21] **Appl. No.: 7,939**

[22] **Filed: May 5, 1993**

[52] **U.S. Cl. D21/191**

[58] **Field of Search D21/191; D6/596, 616; 482/51, 71, 148**

[56] **References Cited**

U.S. PATENT DOCUMENTS

D. 321,918 11/1991 Blanchard D21/191
D. 330,922 11/1992 Novakoski D21/191

D. 336,671 6/1993 Novakoski D21/191
4,940,226 7/1990 Carra 482/51
5,052,682 10/1991 Croce, Jr. et al. 482/51
5,076,571 12/1991 Croce, Jr. 482/51
5,114,387 5/1992 Keppler 482/51

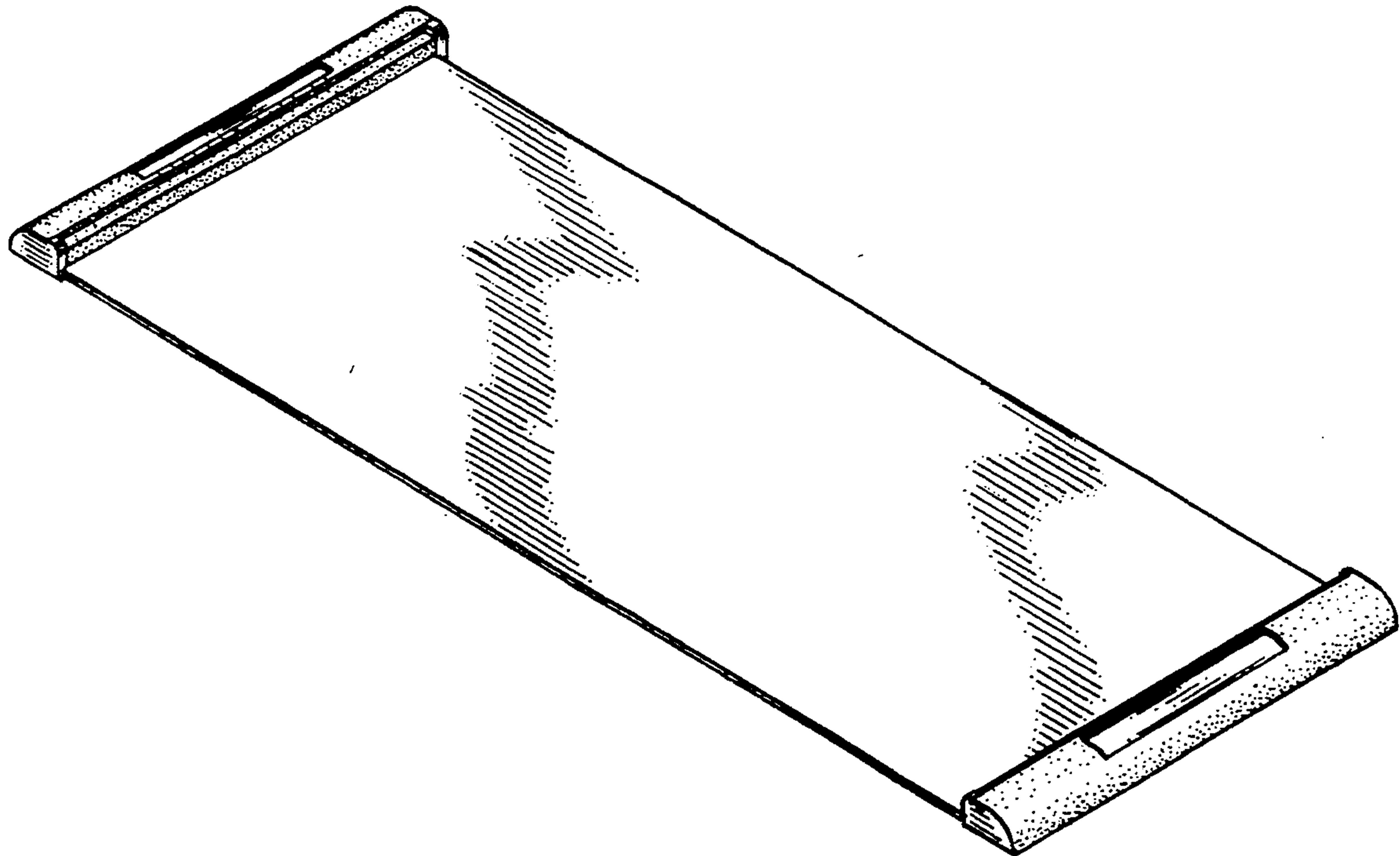
Primary Examiner—Bernard Ansher
Assistant Examiner—Philip Hyder
Attorney, Agent, or Firm—Allegretti & Witcoff, Ltd.

[57] **CLAIM**

The ornamental design for a physical exercise platform, as shown.

DESCRIPTION

FIG. 1 is an isometric view showing my new design; FIG. 2 is a top plan view thereof; FIG. 3 is a right side elevational view thereof; FIG. 4 is a left side elevational view thereof; FIG. 5 is a front elevational view thereof; FIG. 6 is a bottom plan view thereof; and, FIG. 7 is a rear elevational view thereof.



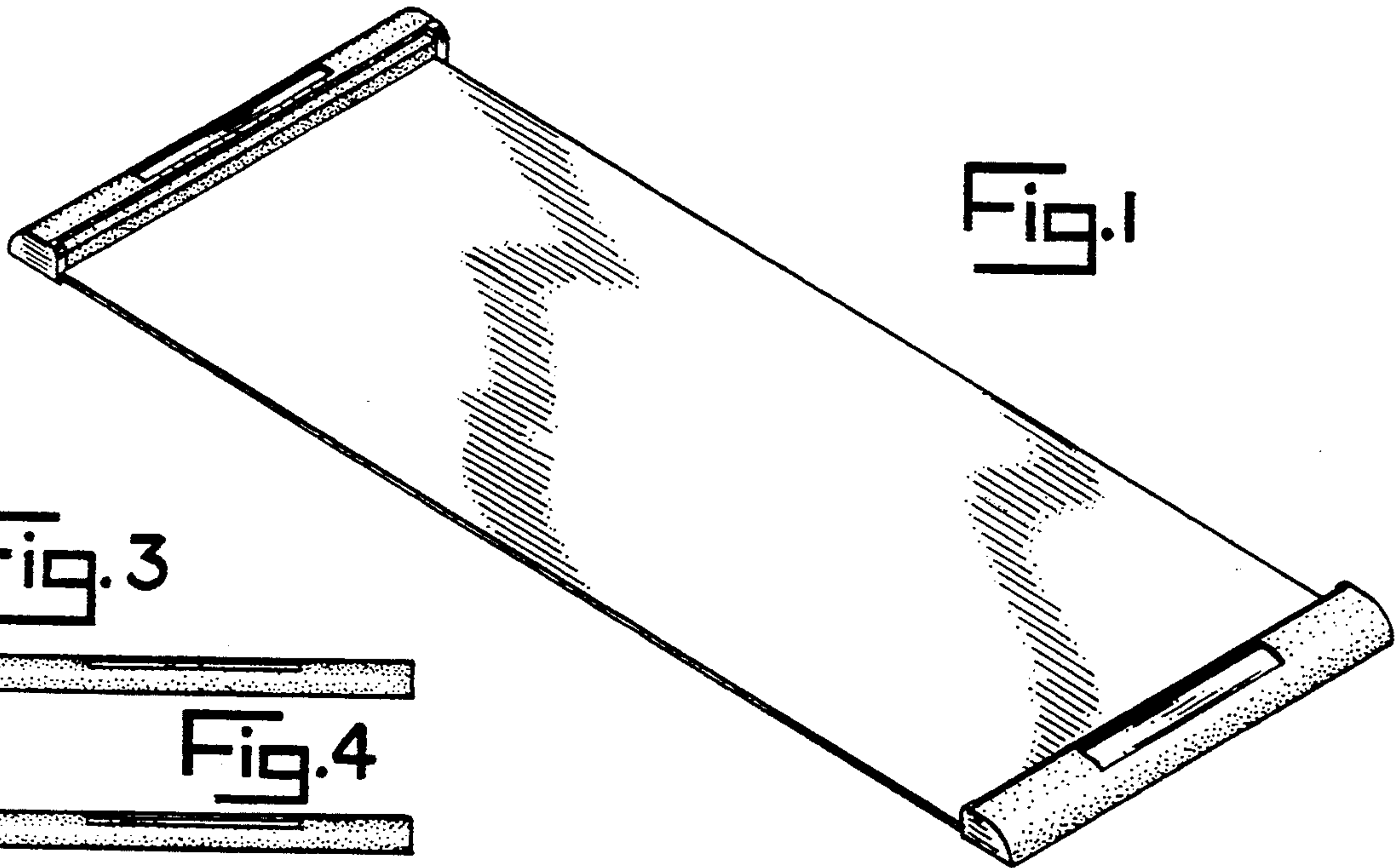


Fig. 3

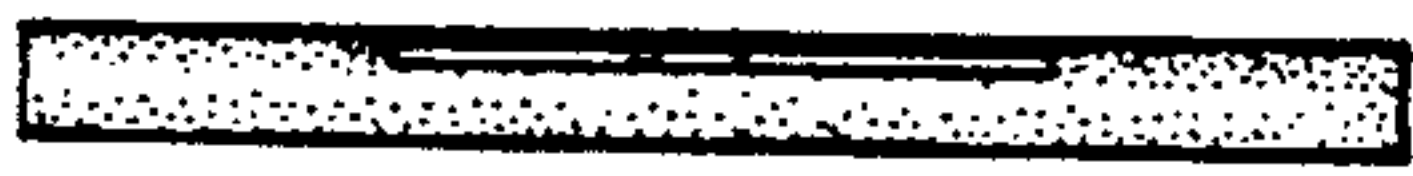


Fig. 4



Fig. 2

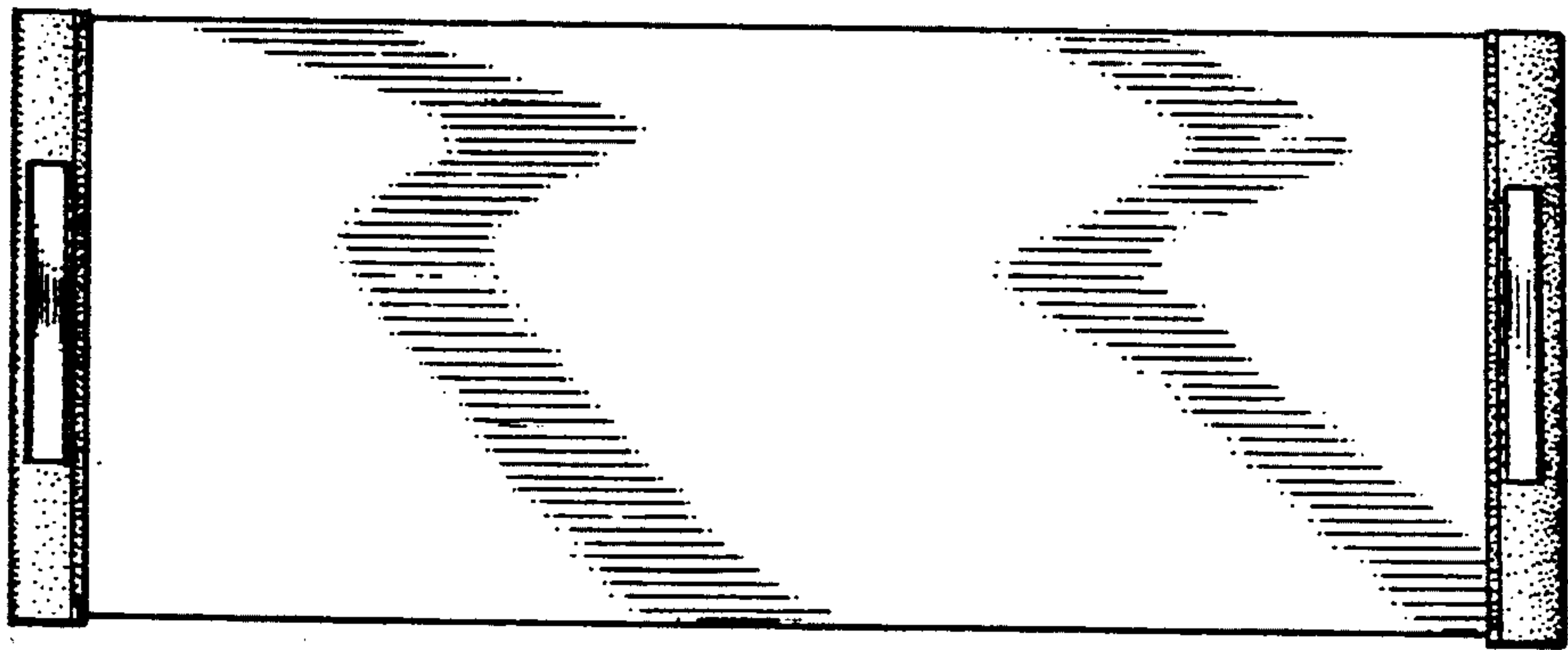


Fig. 5



Fig. 6

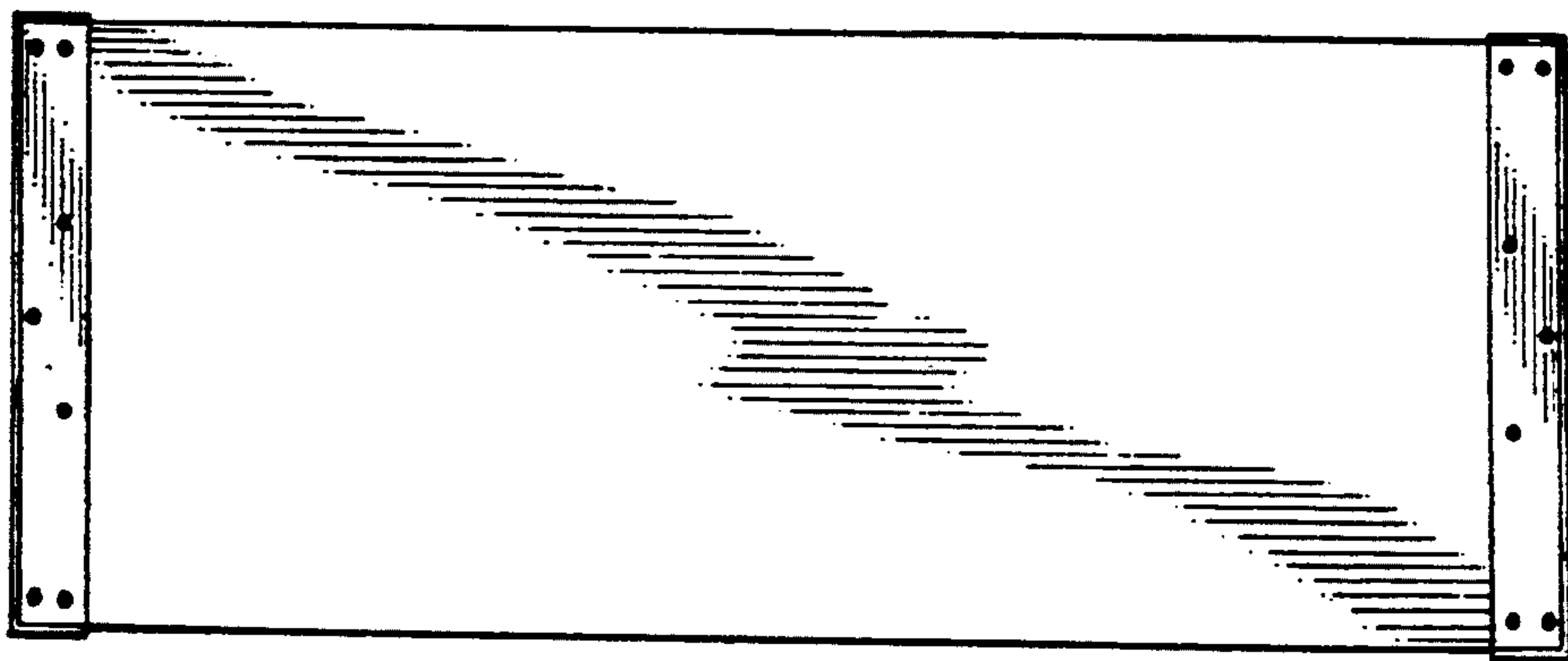


Fig. 7

