



US00D355000S

United States Patent [19]

[11] Patent Number: **Des. 355,000**

Arad et al.

[45] Date of Patent: **** Jan. 31, 1995**

[54] **TOY WEAPON PISTOL**

[75] Inventors: **Avi Arad**, Westport, Conn.; **Finn Turnquist**, Warren, N.J.

[73] Assignee: **Toy Biz, Inc.**, New York, N.Y.

[**] Term: **09 Years**

[21] Appl. No.: **3,225**

[22] Filed: **Dec. 31, 1992**

[52] U.S. Cl. **D21/147**

[58] Field of Search **D21/145-147;**
D22/103-105; D23/223, 226; 446/473, 475;
124/22, 64-65; 222/78-79; 239/526

[56] **References Cited**

U.S. PATENT DOCUMENTS

| | | | |
|------------|---------|---------------------|---------|
| D. 214,496 | 6/1969 | Critcher | D22/104 |
| D. 310,400 | 9/1990 | Guilbeaux, Jr. | D21/146 |
| 2,618,885 | 11/1952 | Tigrett | 446/473 |
| 4,892,081 | 1/1990 | Moormann | 124/65 |
| 5,236,129 | 8/1993 | Grime | 239/526 |

OTHER PUBLICATIONS

Undated sheet showing Topper's Johnny Seven One Man Army Gun (acknowledged to be prior art).

Primary Examiner—Bernard ansher
Assistant Examiner—R. Barkai
Attorney, Agent, or Firm—Amster, Rothstein & Ebenstein

[57] **CLAIM**

The ornamental design for a toy weapon pistol, as shown and described.

DESCRIPTION

FIG. 1 is a side elevational view of a toy weapon pistol showing our new design, the opposite side being a mirror image thereof;

FIG. 2 is a top plan view thereof;

FIG. 3 is a bottom plan view thereof;

FIG. 4 is a front elevational view thereof;

FIG. 5 is a back elevational view thereof; and,

FIG. 6 is an isometric view thereof with the handles in an alternative position.

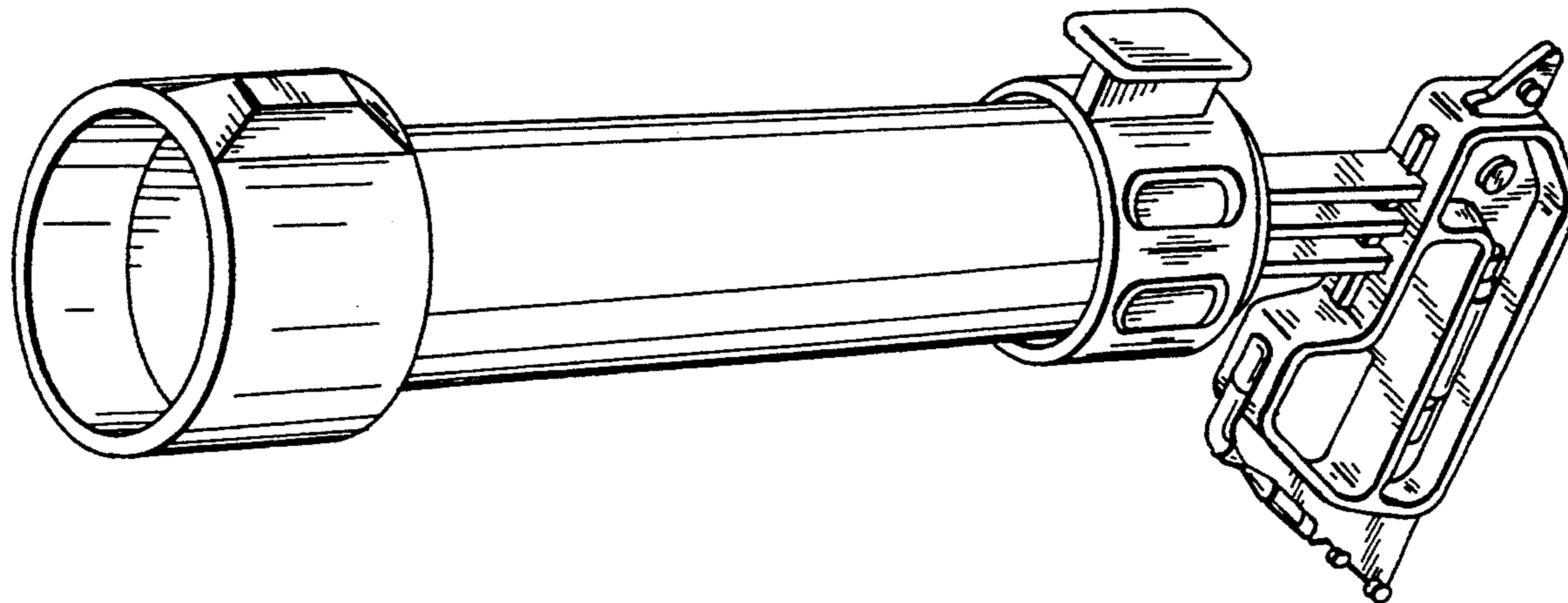


FIG. 1

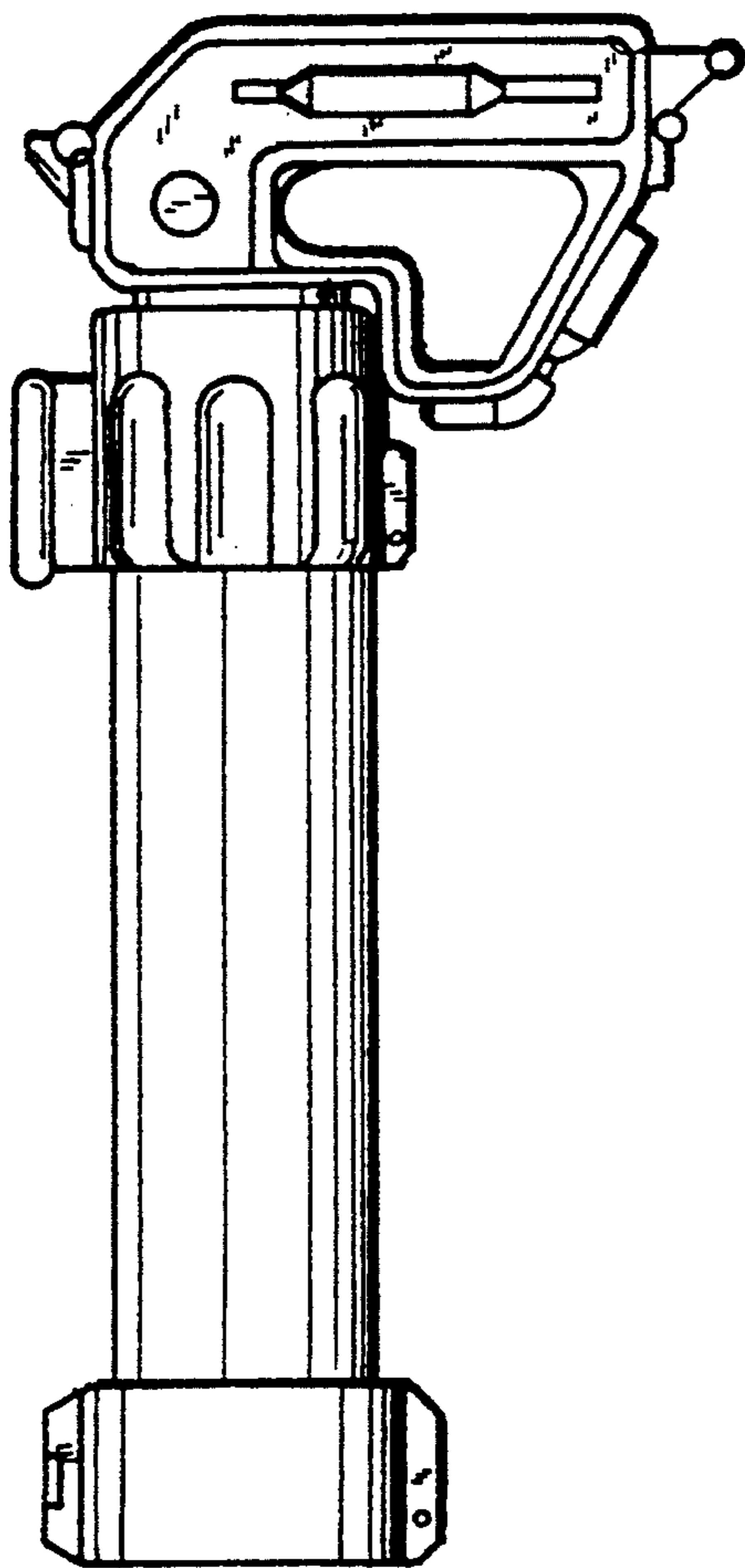
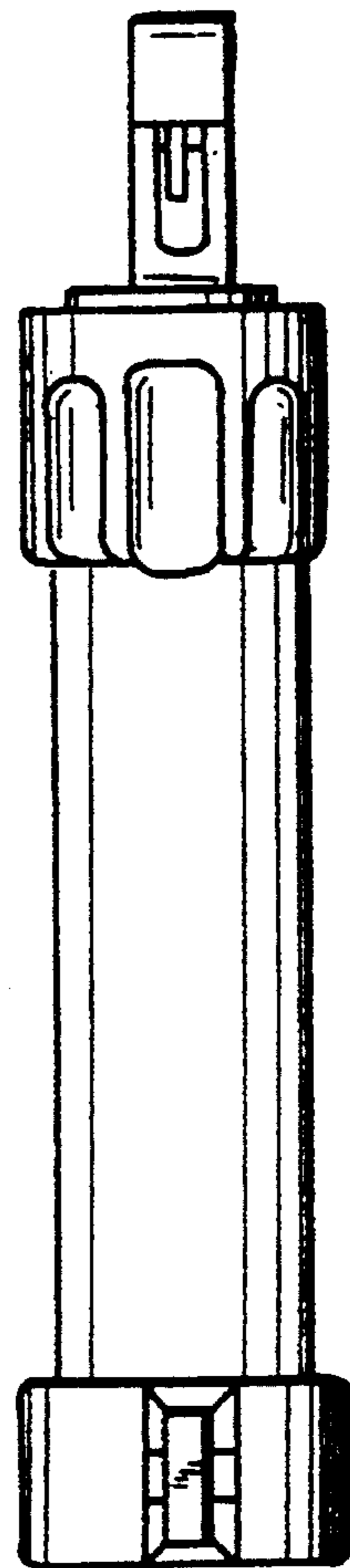


FIG. 2



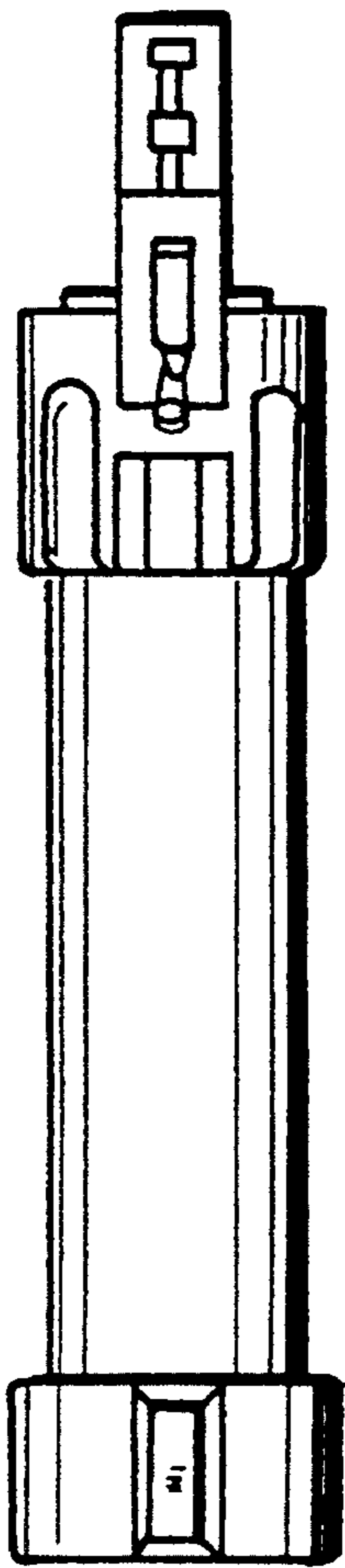


FIG. 3



FIG. 5

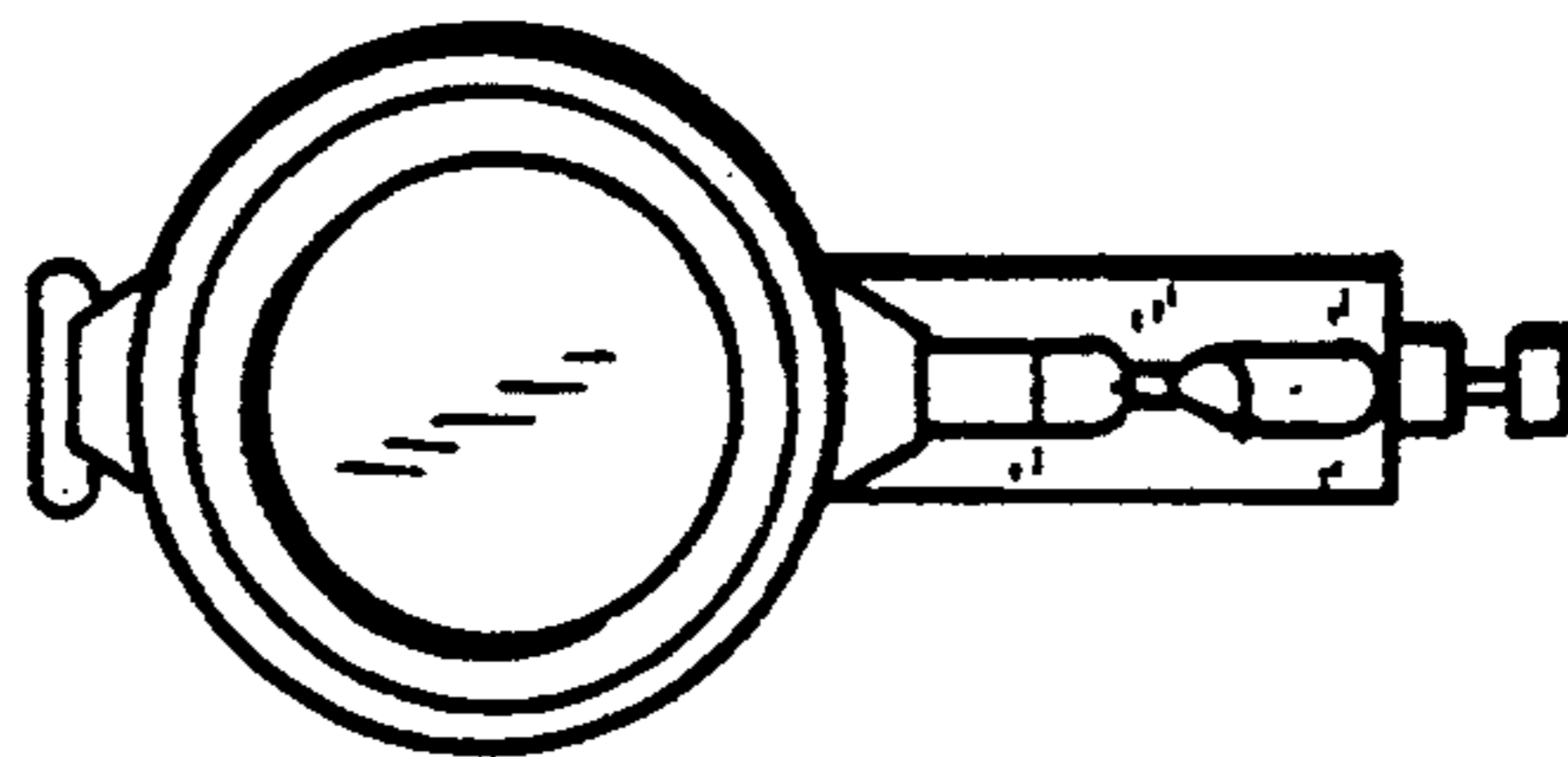


FIG. 4

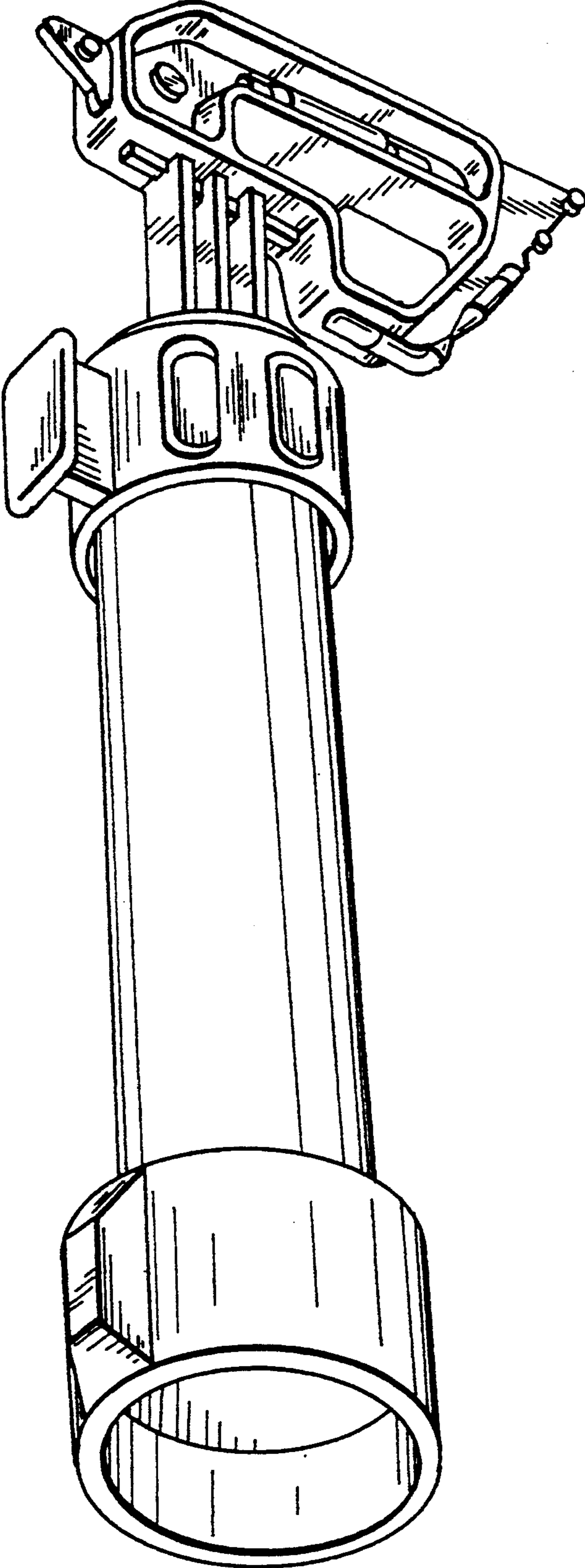


FIG. 6