



US00D354999S

United States Patent [19]

[11] Patent Number: **Des. 354,999**

Arad

[45] Date of Patent: **** Jan. 31, 1995**

[54] TOY WEAPON

OTHER PUBLICATIONS

[75] Inventor: **Avi Arad**, Westport, Conn.

Hong Kong Toys Feb. 1991 p. 201 Middle of the Page. Undated sheet showing Topper's Johnny Seveon One Man Army Gun (acknowledged to be prior art).

[73] Assignee: **Toy Biz, Inc.**, New York, N.Y.

Primary Examiner—Bernard Ansher
Assistant Examiner—R. Barkai
Attorney, Agent, or Firm—Amster, Rothstein & Ebenstein

[**] Term: **14 Years**

[21] Appl. No.: **79**

[57] CLAIM

[22] Filed: **Oct. 1, 1992**

The ornamental design for a toy weapon, as shown and described.

[52] U.S. Cl. **D21/147**

[58] Field of Search D21/145-147;
D22/103-105; D23/223, 226; 446/473, 475,
406; 124/22, 64-65; 222/78-79; 239/526

DESCRIPTION

[56] References Cited

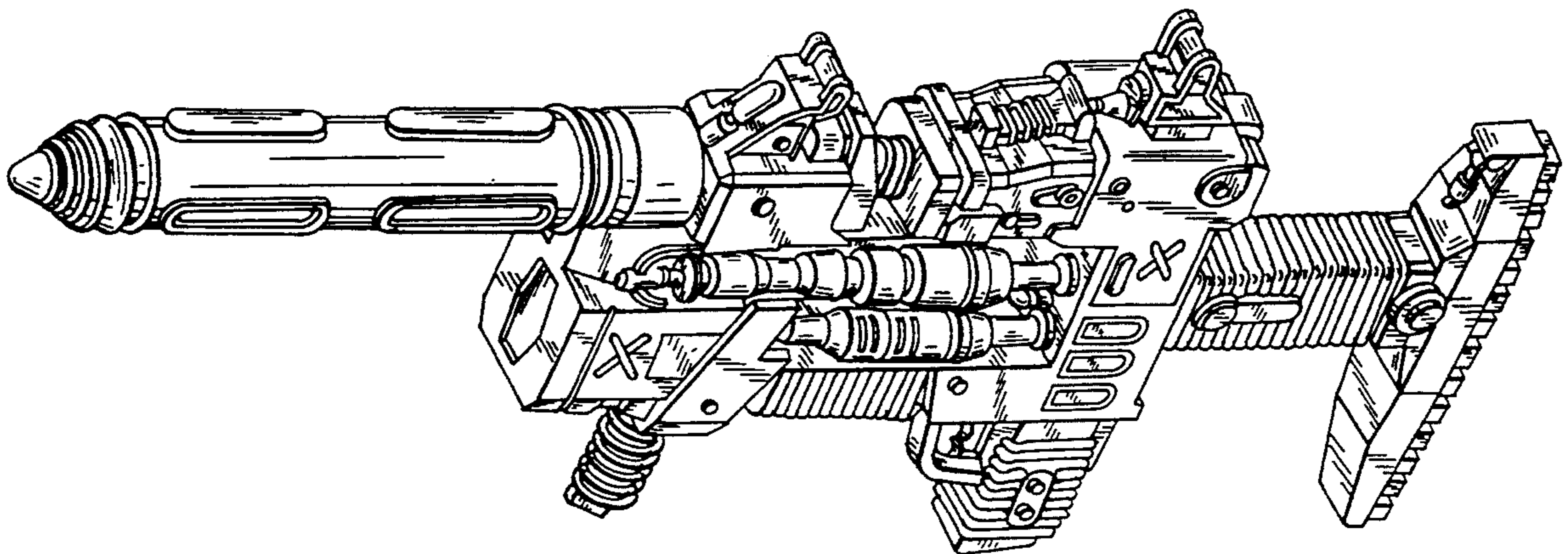
U.S. PATENT DOCUMENTS

D. 199,854	12/1964	Constan	D21/146
D. 290,153	6/1987	Reaume	D21/147
D. 316,123	4/1991	Shiung-Fei	D21/146
4,710,146	12/1987	Rasmussen	446/473
4,967,642	11/1990	Mihaita	D22/104
5,283,970	2/1994	Aigner	446/406

FIG. 1 is a side elevational view of a toy weapon showing my new design, the side opposite being a mirror image;
FIG. 2 is top plan view thereof;
FIG. 3 is a bottom plan view thereof;
FIG. 4 is a rear elevational view thereof;
FIG. 5 is a front elevational view thereof;
FIG. 6 is side elevational view of a modified embodiment of the design shown in FIGS. 1-5, the side opposite being a mirror image;
FIG. 7 is a top plan view thereof;
FIG. 8 is a bottom plan view thereof;
FIG. 9 is a rear elevational view thereof;
FIG. 10 is a front elevational view thereof; and,
FIG. 11 is a perspective view of the design shown in FIGS. 1-5.

FOREIGN PATENT DOCUMENTS

511506	4/1955	Canada	446/406
2199256A	7/1988	United Kingdom	446/473
2250574A	10/1992	United Kingdom	124/64



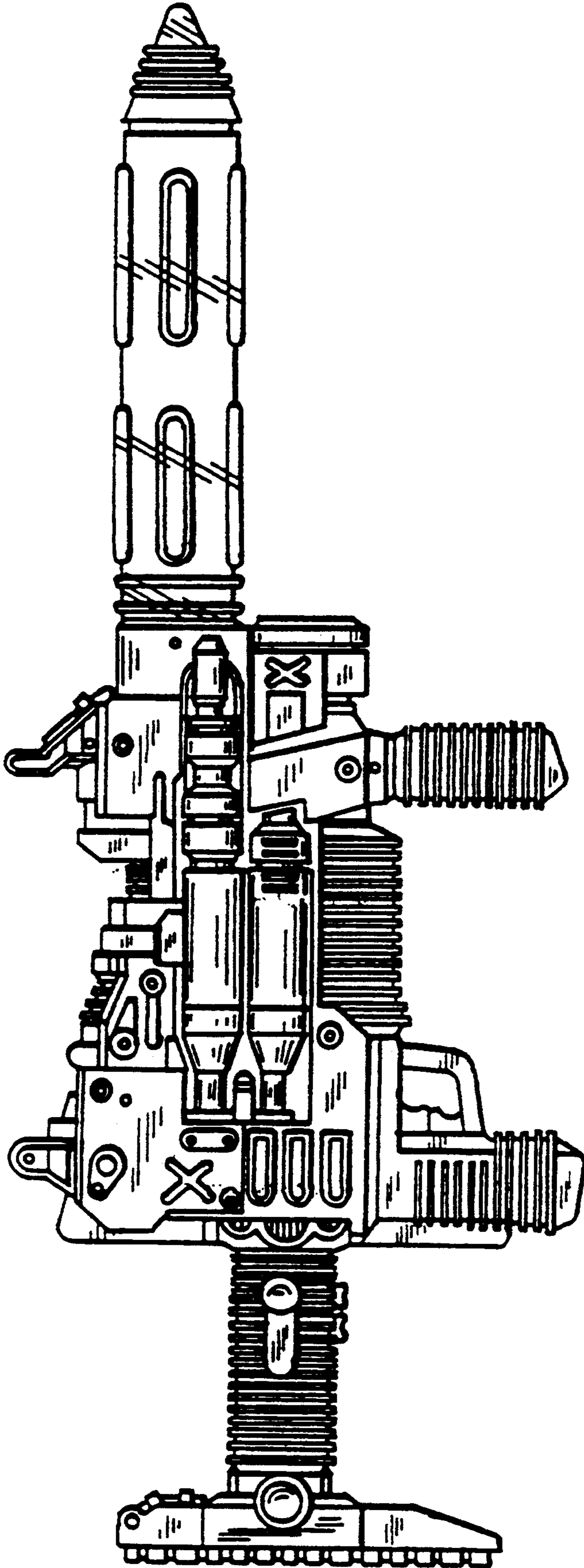


FIG. 1

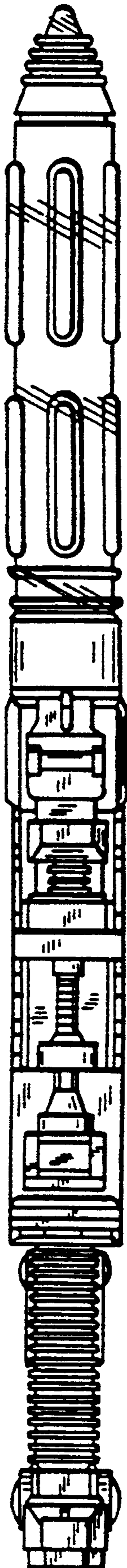


FIG. 2

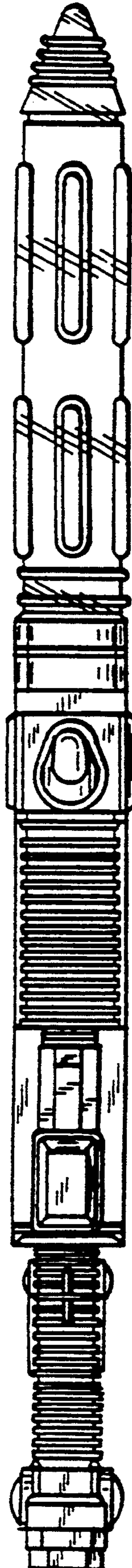


FIG. 3

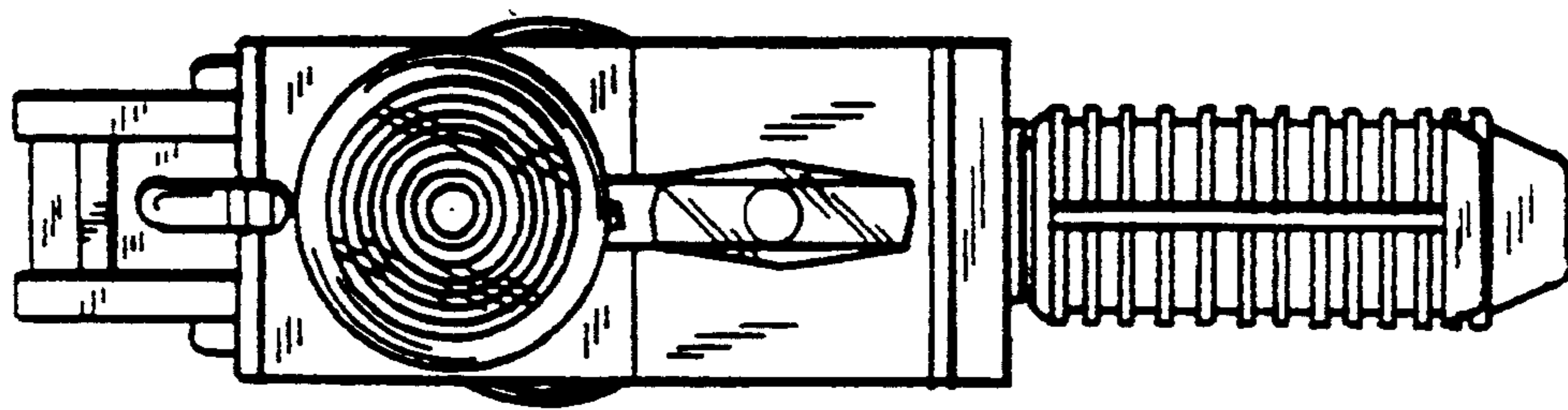


FIG. 5

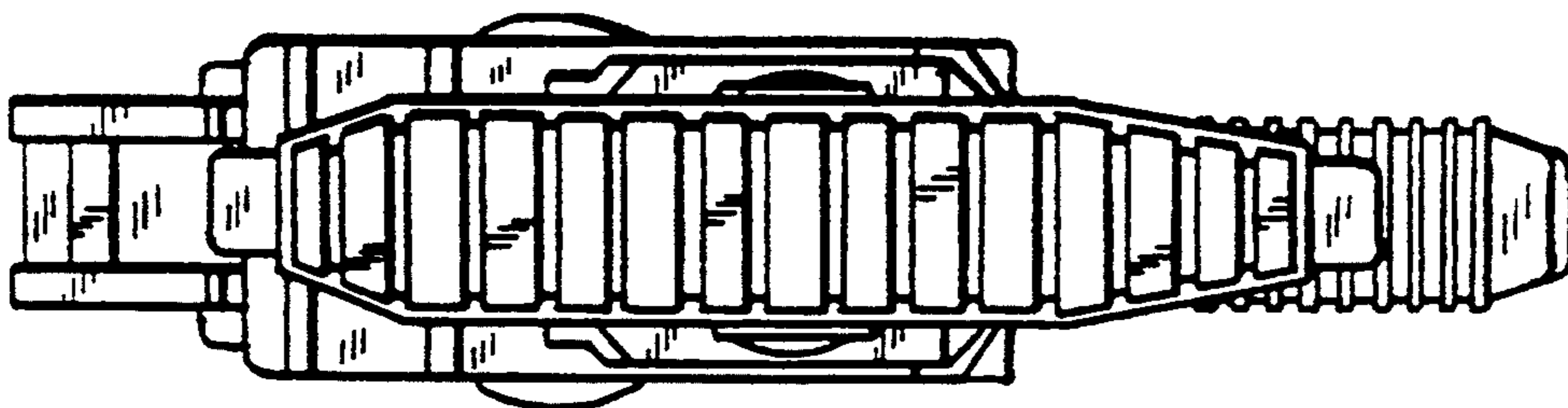


FIG. 4

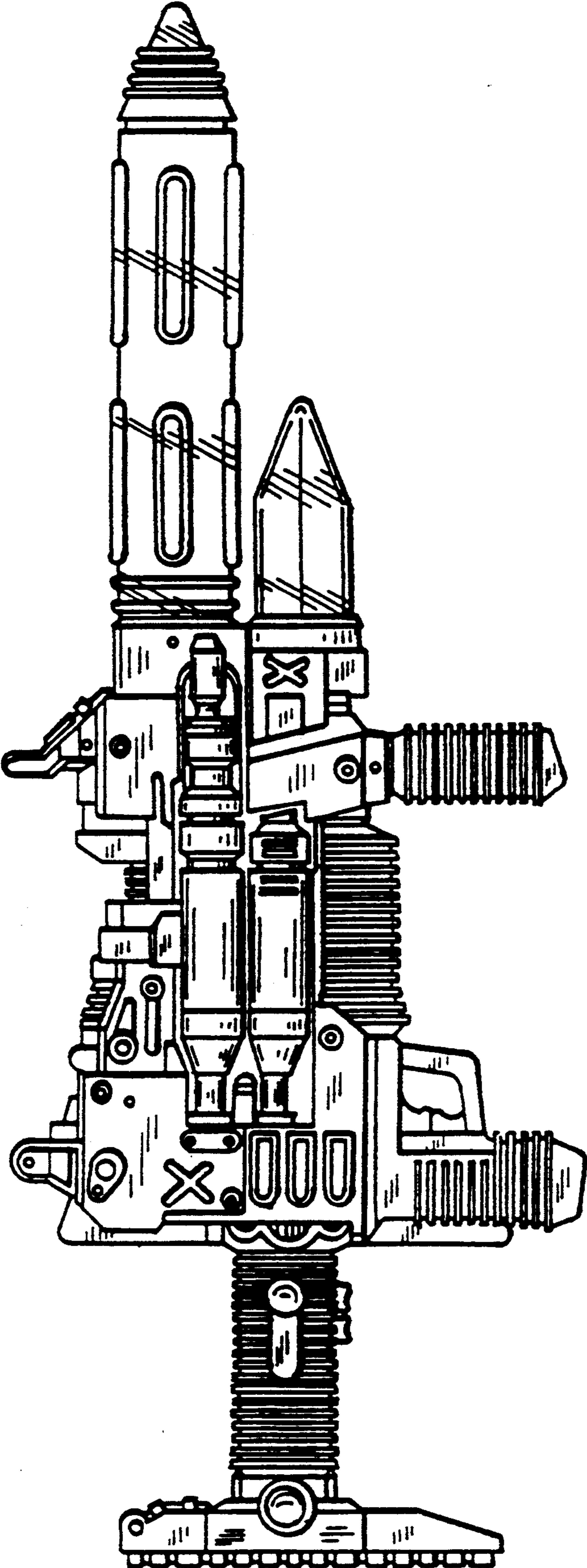


FIG. 6

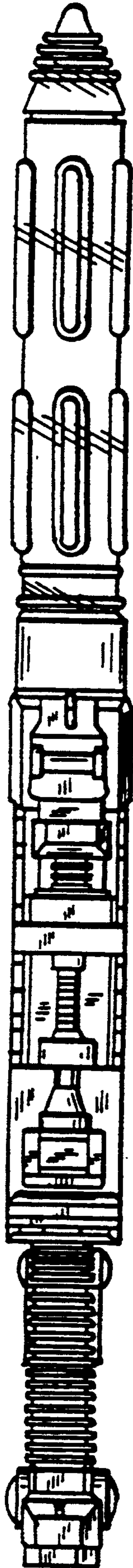


FIG. 7

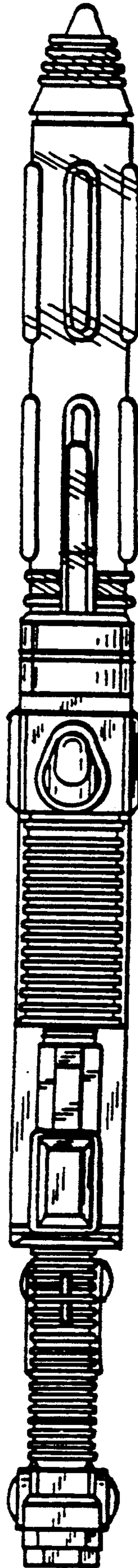


FIG. 8

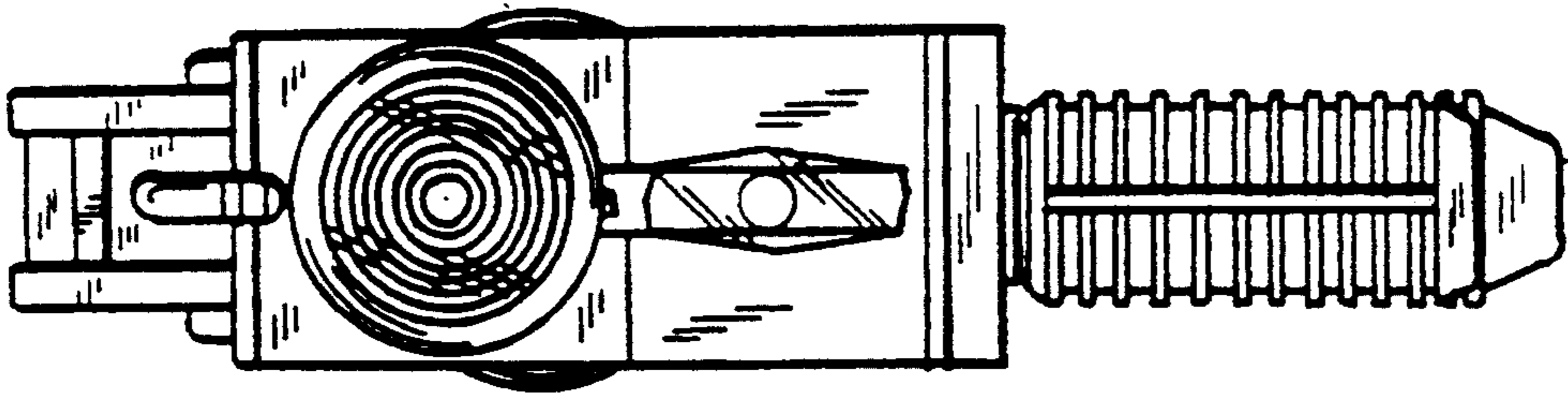


FIG. 10

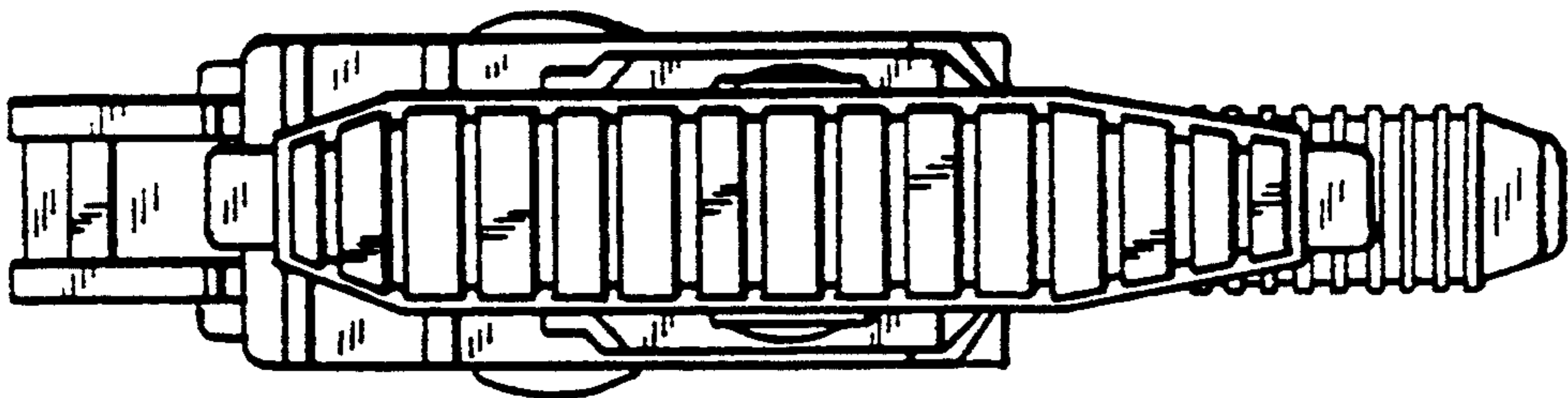


FIG. 9

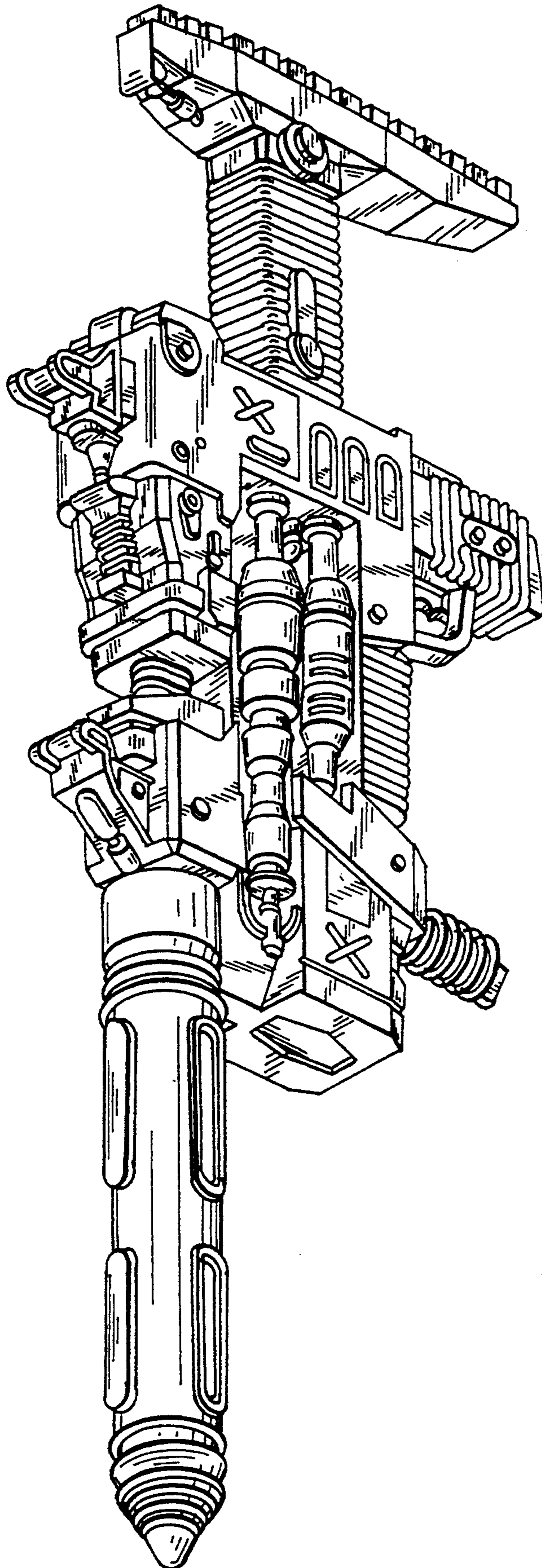


FIG. 11