



US00D354997S

# United States Patent [19]

[11] Patent Number: **Des. 354,997**

Arad et al.

[45] Date of Patent: **\*\* Jan. 31, 1995**

## [54] TOY WEAPON HOUSING

[75] Inventors: **Avi Arad**, Westport, Conn.; **Finn Tornquist**, Warren, N.J.

[73] Assignee: **Toy Biz Inc.**, New York, N.Y.

[\*\*] Term: **14 Years**

[21] Appl. No.: **3,224**

[22] Filed: **Dec. 31, 1992**

[52] U.S. Cl. .... **D21/146**

[58] Field of Search ..... **D21/145-147;**  
**D22/103-105; D23/223, 226; 446/473, 475;**  
**124/22, 64-65; 222/78-79; 239/526**

## [56] References Cited

### U.S. PATENT DOCUMENTS

D. 205,231	7/1966	Blumenthal	.....	D21/146
D. 206,670	1/1967	Hirsch	.....	D21/147
D. 214,403	6/1969	Kaplan	.....	D21/147
D. 258,166	2/1981	Barthropp	.....	D21/147
D. 304,604	11/1989	Fan	.....	D21/147

## OTHER PUBLICATIONS

Undated sheet showing Topper's Johnny Seven One Man Army Gun.

*Primary Examiner*—Bernard Ansher  
*Assistant Examiner*—R. Barkai  
*Attorney, Agent, or Firm*—Amster, Rothstein & Ebenstein

## [57] CLAIM

The ornamental design for a toy weapon housing, as shown and described.

## DESCRIPTION

FIG. 1 is a side elevational view of a toy weapon housing showing our new design, the opposite side being a mirror image thereof;

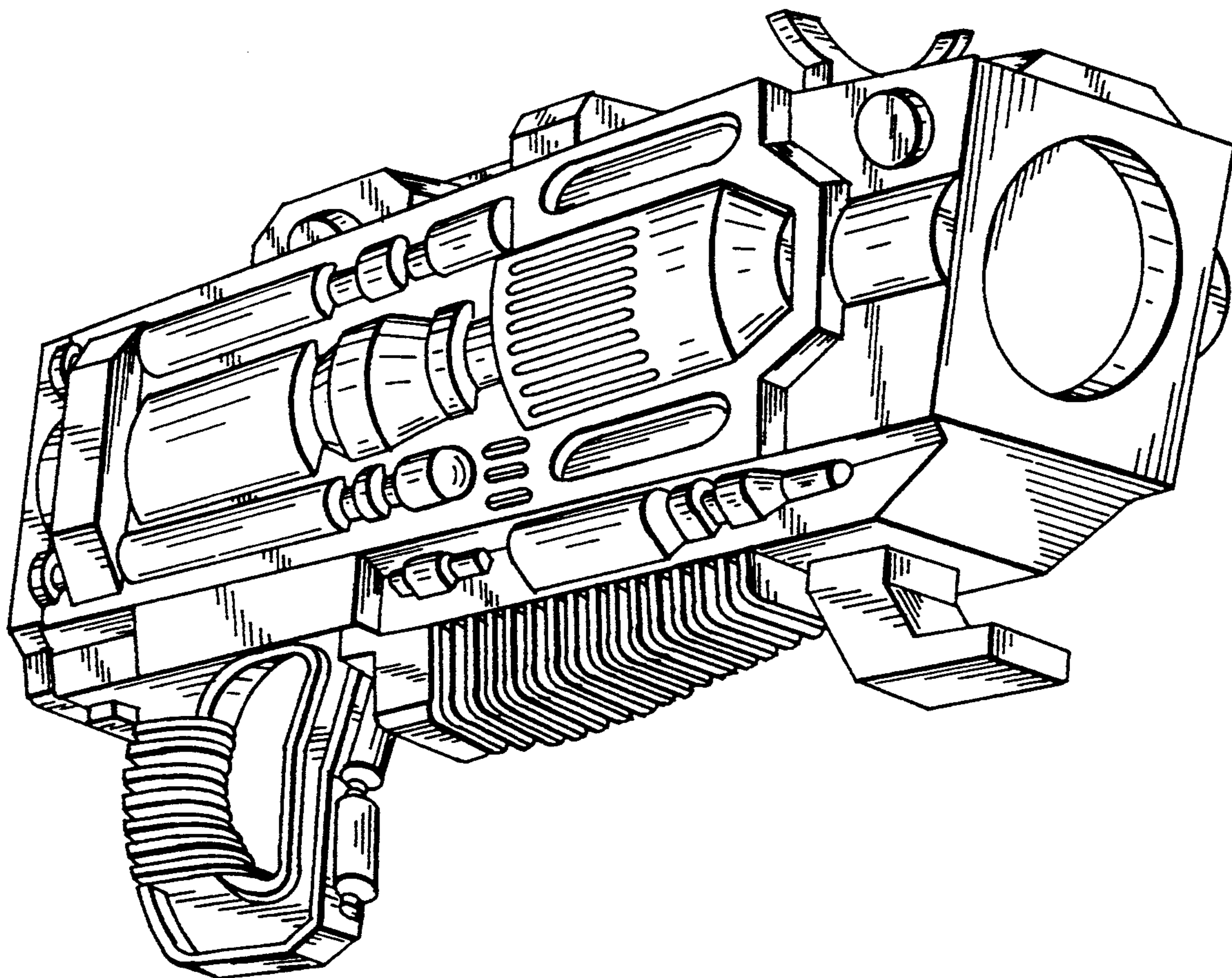
FIG. 2 is a top plan view thereof;

FIG. 3 is a bottom plan view thereof;

FIG. 4 is a front elevational view thereof;

FIG. 5 is a back elevational view thereof; and,

FIG. 6 is an isometric view thereof.



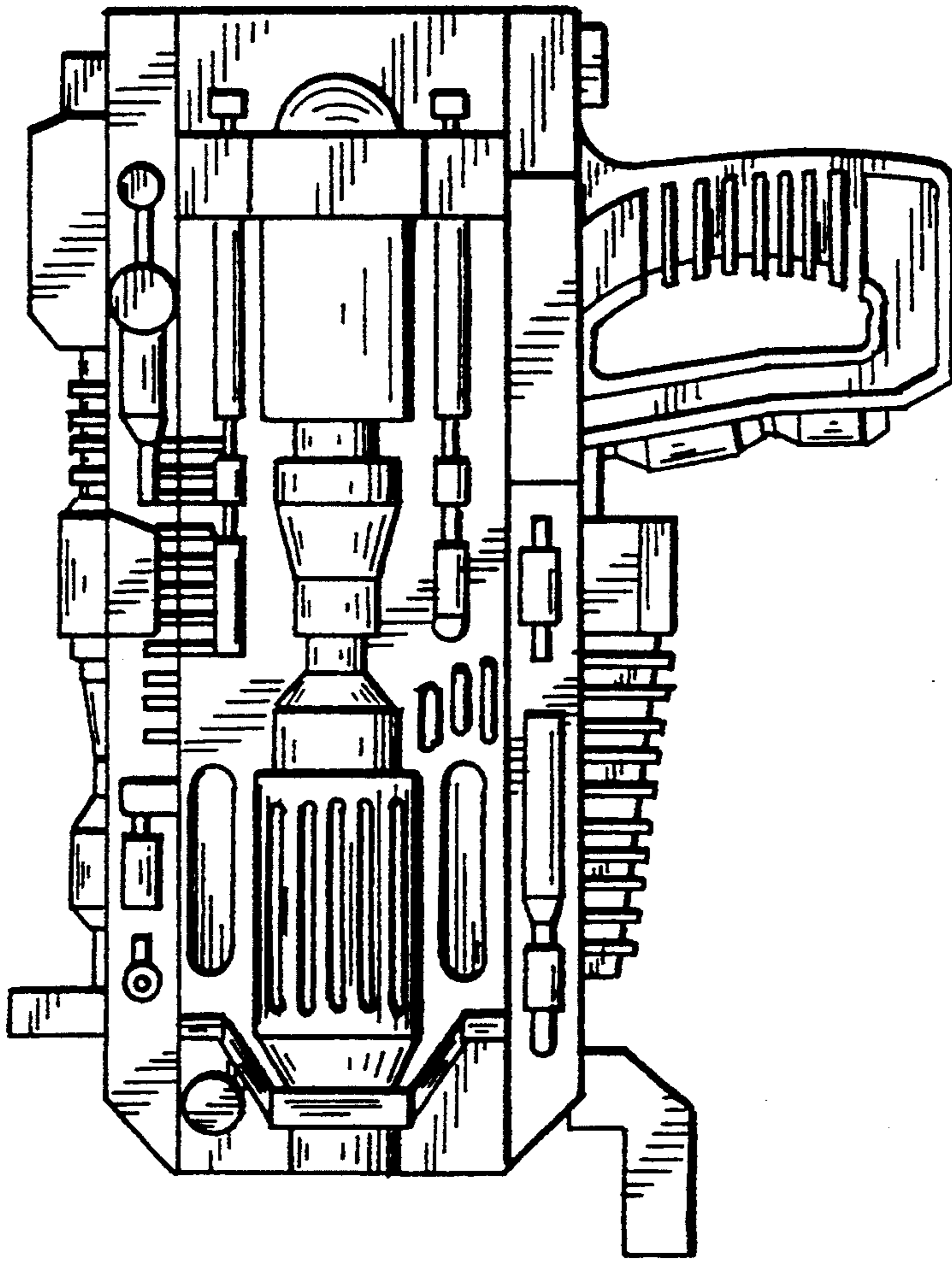


FIG. 1

FIG. 2

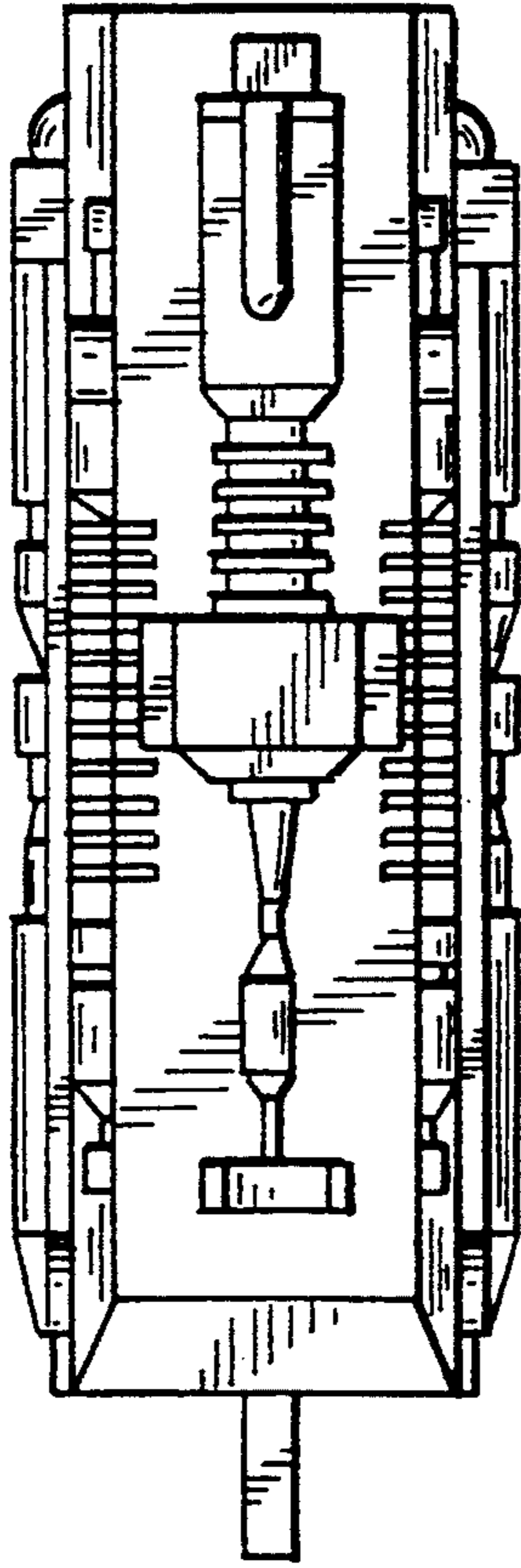


FIG. 3

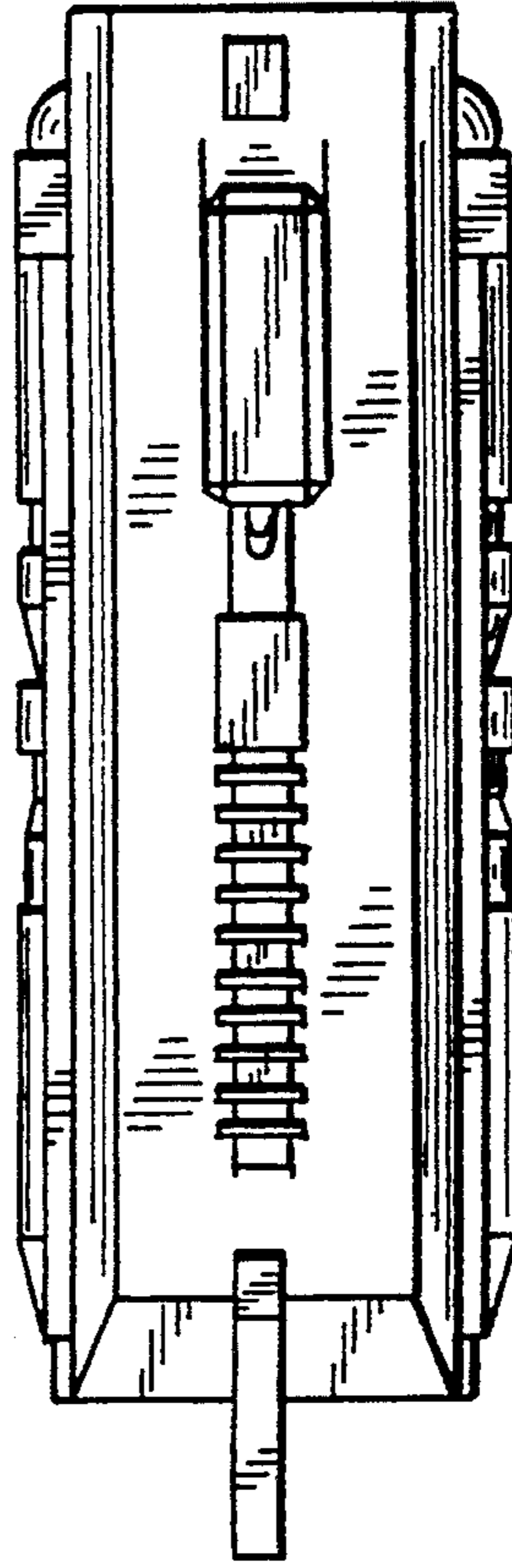


FIG. 5

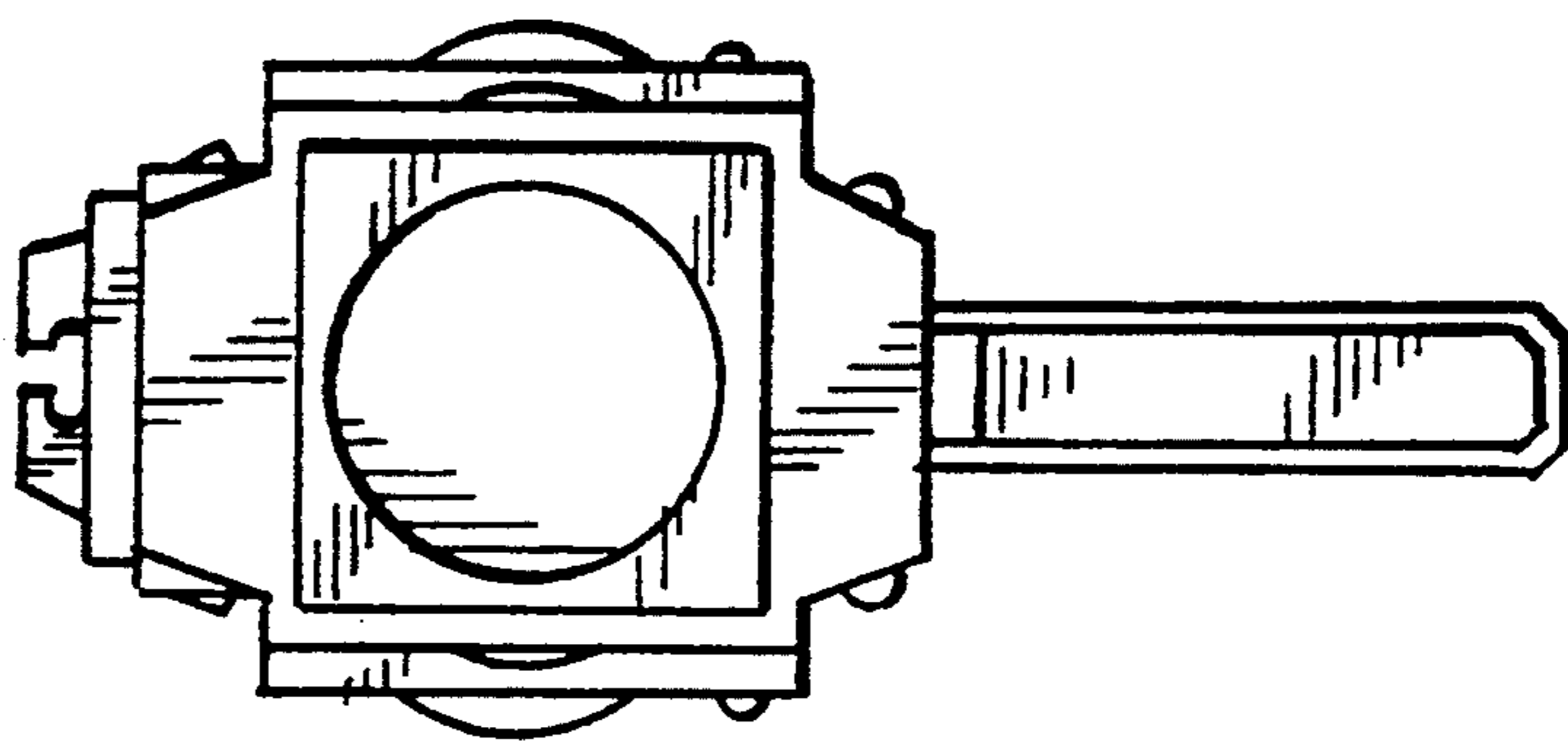
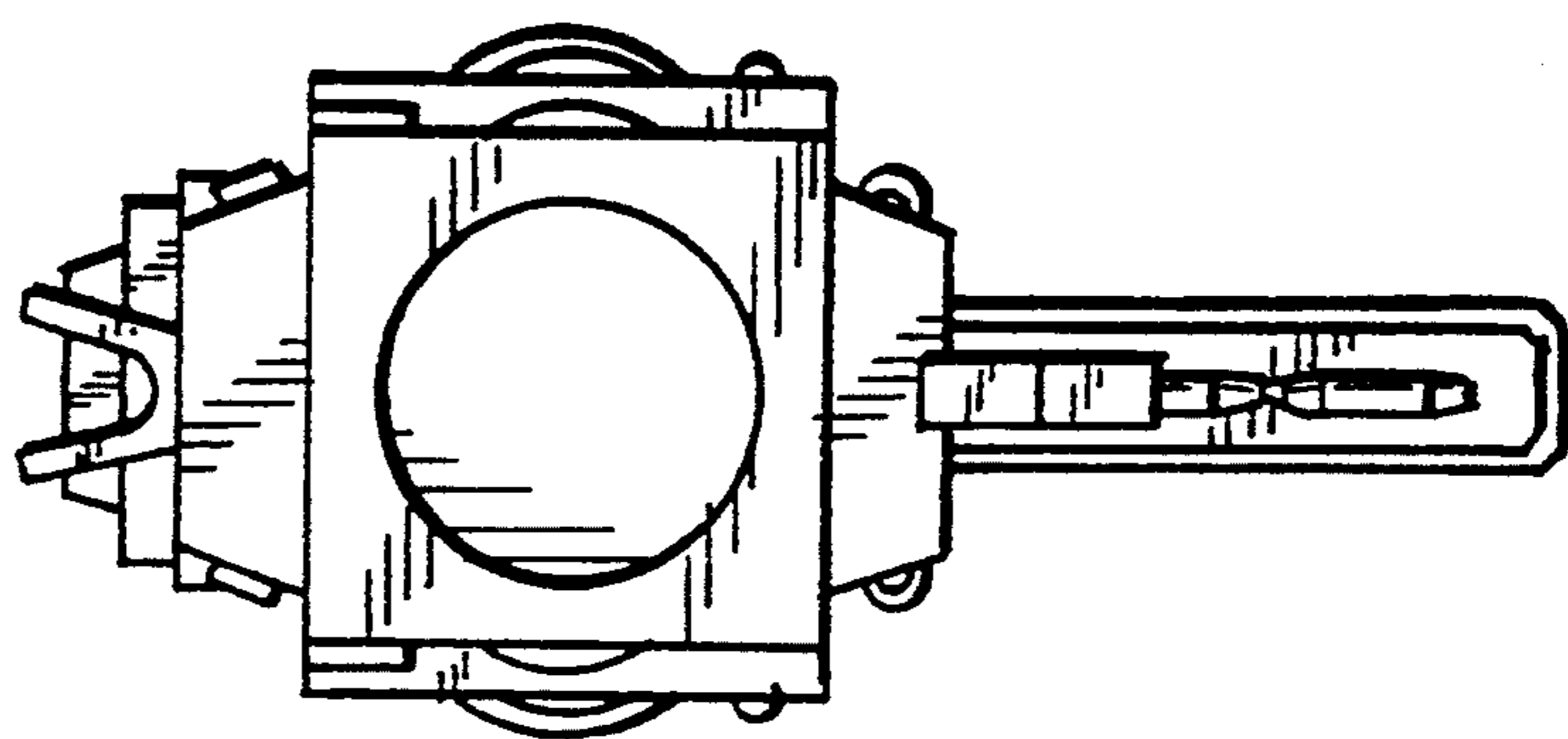


FIG. 4



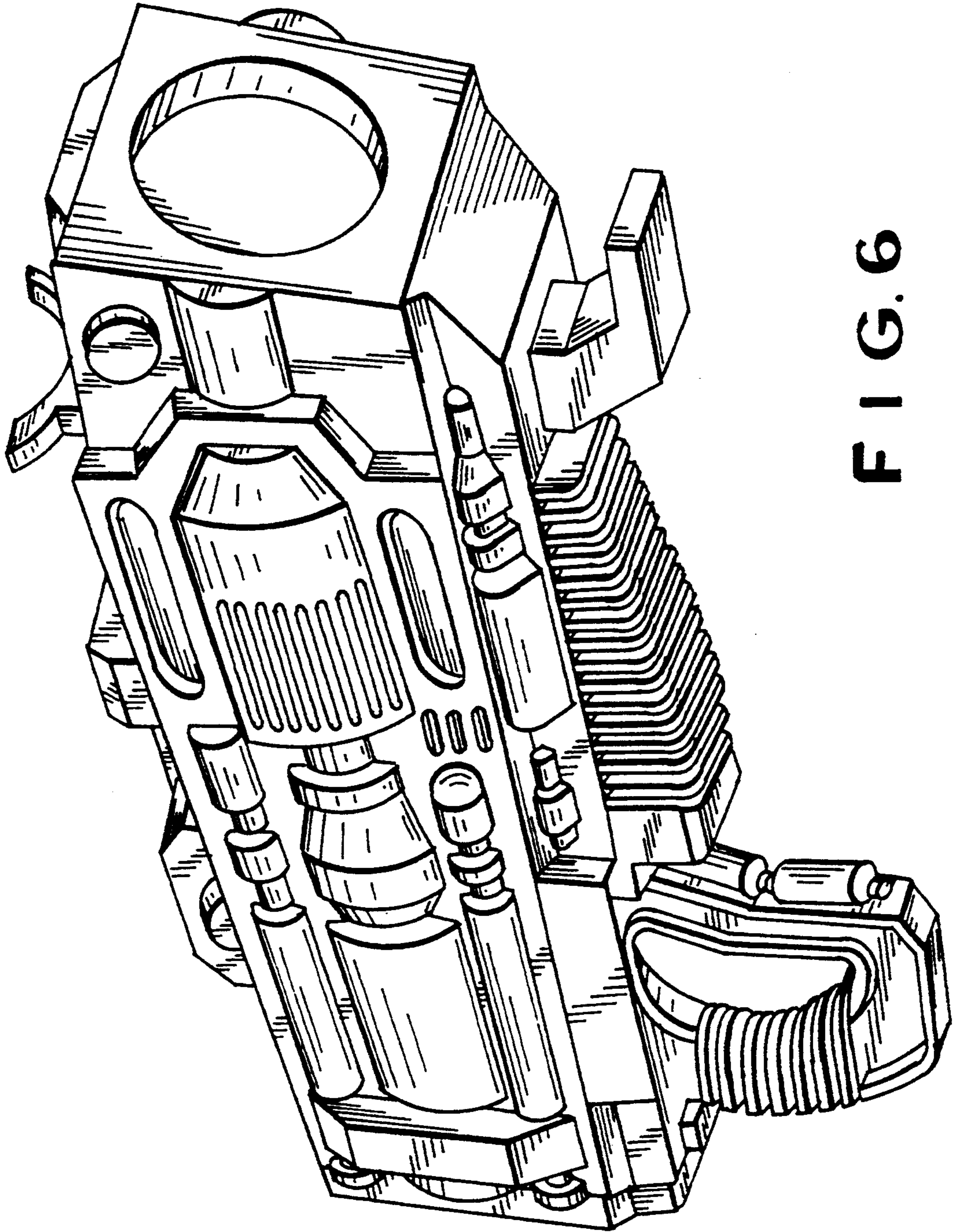


FIG. 6