



US00D354989S

# United States Patent [19]

[11] Patent Number: **Des. 354,989**

West

[45] Date of Patent: **\*\* Jan. 31, 1995**

[54] **ARTIST'S PAINT BRUSH CADDY**

[76] Inventor: **Mildred L. West**, 5017 Cockrell, Fort Worth, Tex. 76133

[\*\*] Term: **14 Years**

[21] Appl. No.: **9,011**

[22] Filed: **May 28, 1993**

[52] U.S. Cl. .... **D19/85; D19/35**

[58] Field of Search ..... **D19/35, 36, 65, 75, D19/77, 78, 81-85; 206/1.7, 214, 224, 371; 21/69, 69.1-69.9, 70; D6/457, 460, 469**

3,227,283	1/1966	Ahlman .....	211/69.9
3,951,079	4/1976	Tolleson .....	108/94
4,305,511	12/1981	Denholtz .....	211/70
4,773,544	9/1988	McCarthy .....	206/214 X
4,884,701	12/1989	Nymark et al. ....	211/70 X
5,076,444	12/1991	Syms .....	211/69.5

*Primary Examiner*—Martie Thompson  
*Attorney, Agent, or Firm*—Robert A. Felsman

### [57] CLAIM

The ornamental design for a artist's paint brush caddy, as shown and described.

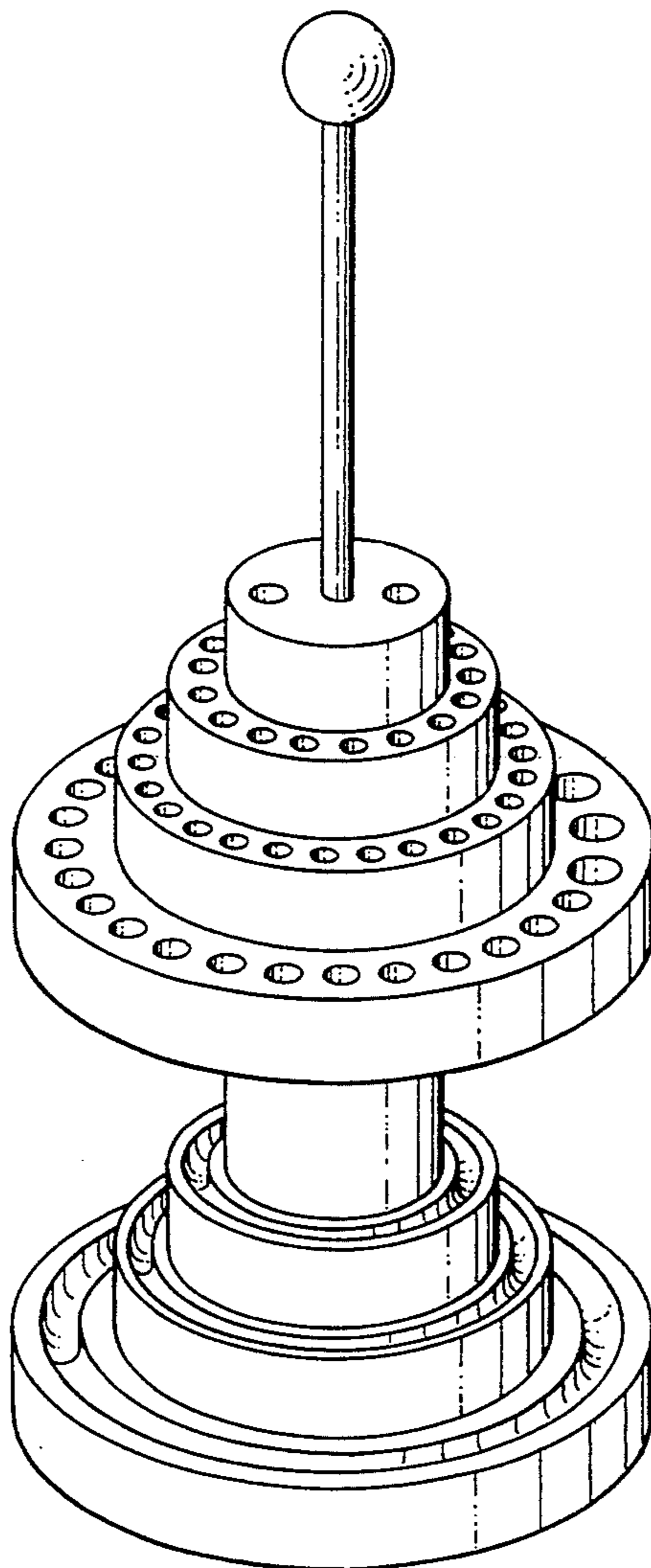
### DESCRIPTION

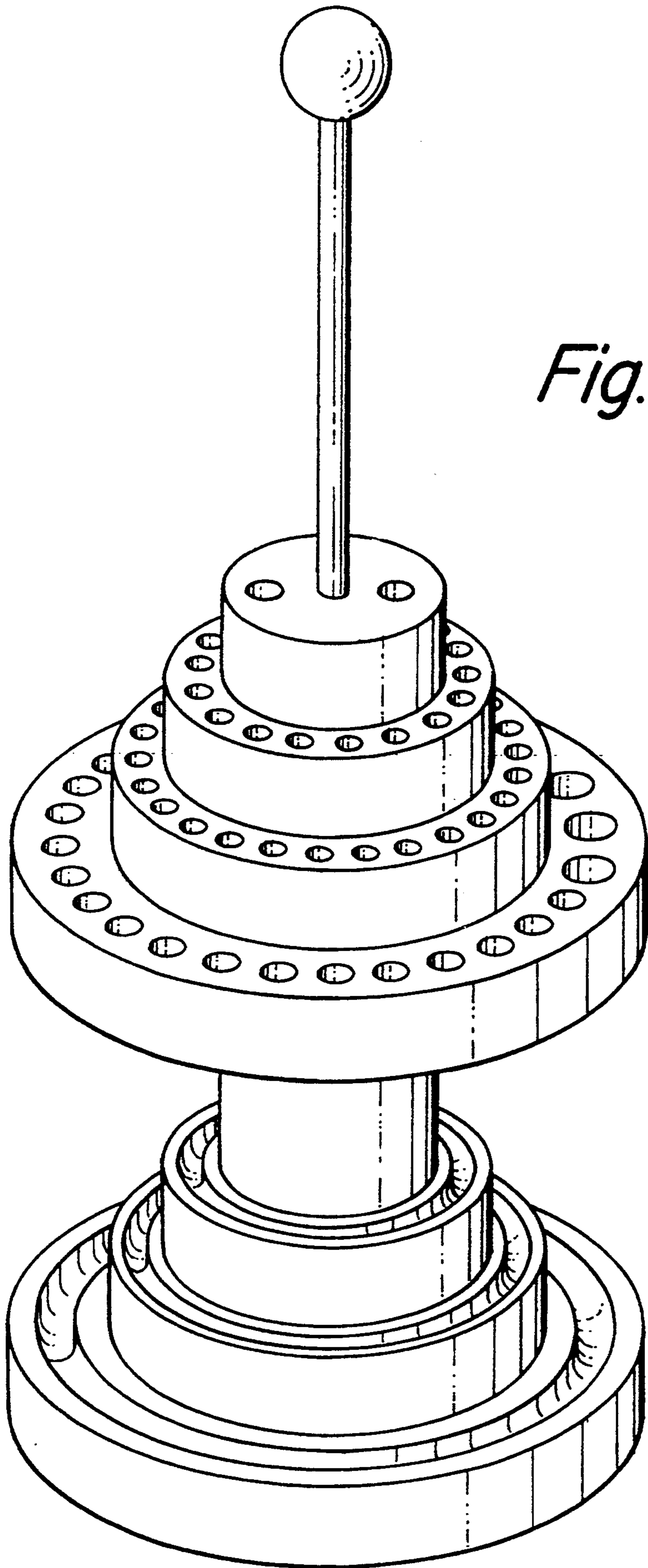
FIG. 1 is a perspective view of an artist's paint brush caddy according to the present invention; FIG. 2 is an elevation view of the artist's paint brush caddy of FIG. 1; FIG. 3 is a top plan view of the artist's paint brush caddy of FIG. 1; and, FIG. 4 is a bottom plan view of the artist's paint brush caddy of FIG. 1.

### [56] References Cited

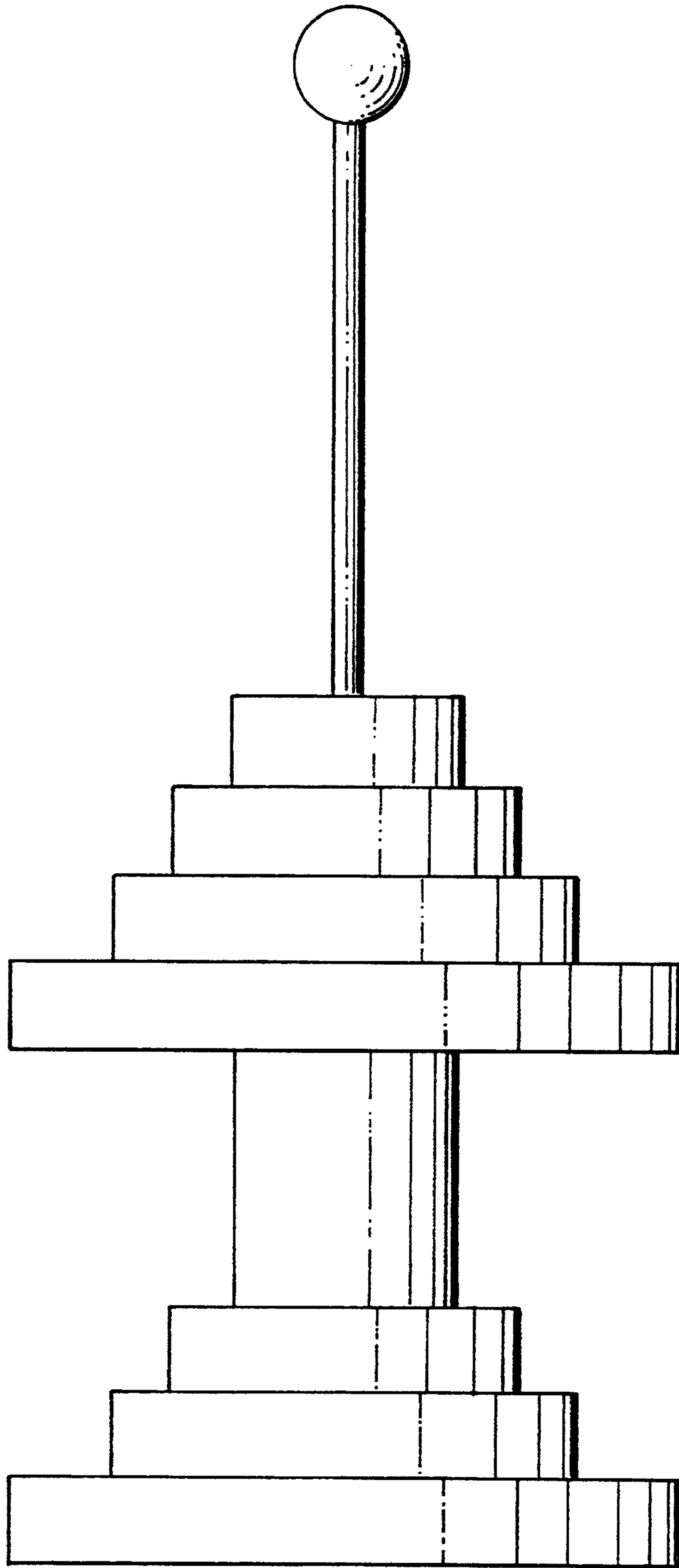
#### U.S. PATENT DOCUMENTS

D. 211,295	6/1968	Wolf .....	D19/85
D. 279,385	6/1985	Lieberman .....	D19/77
D. 284,235	6/1986	Zinter-Chahin .....	D19/77 X
D. 290,854	7/1987	Appel .....	D19/85
D. 296,568	7/1988	Nadeau .....	D19/77
156,572	11/1874	James .....	211/70 X
857,763	6/1907	Smith .....	211/69

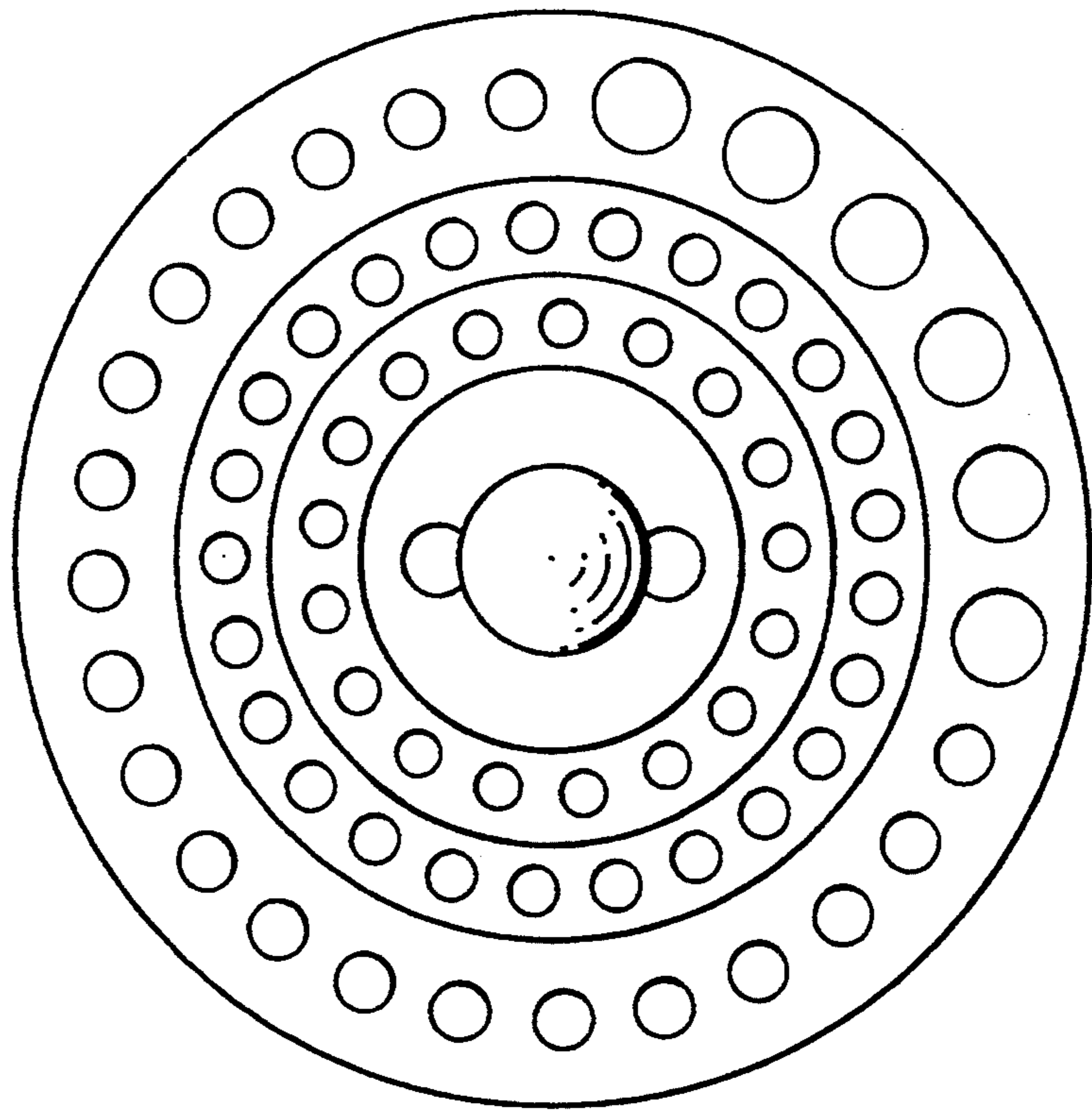




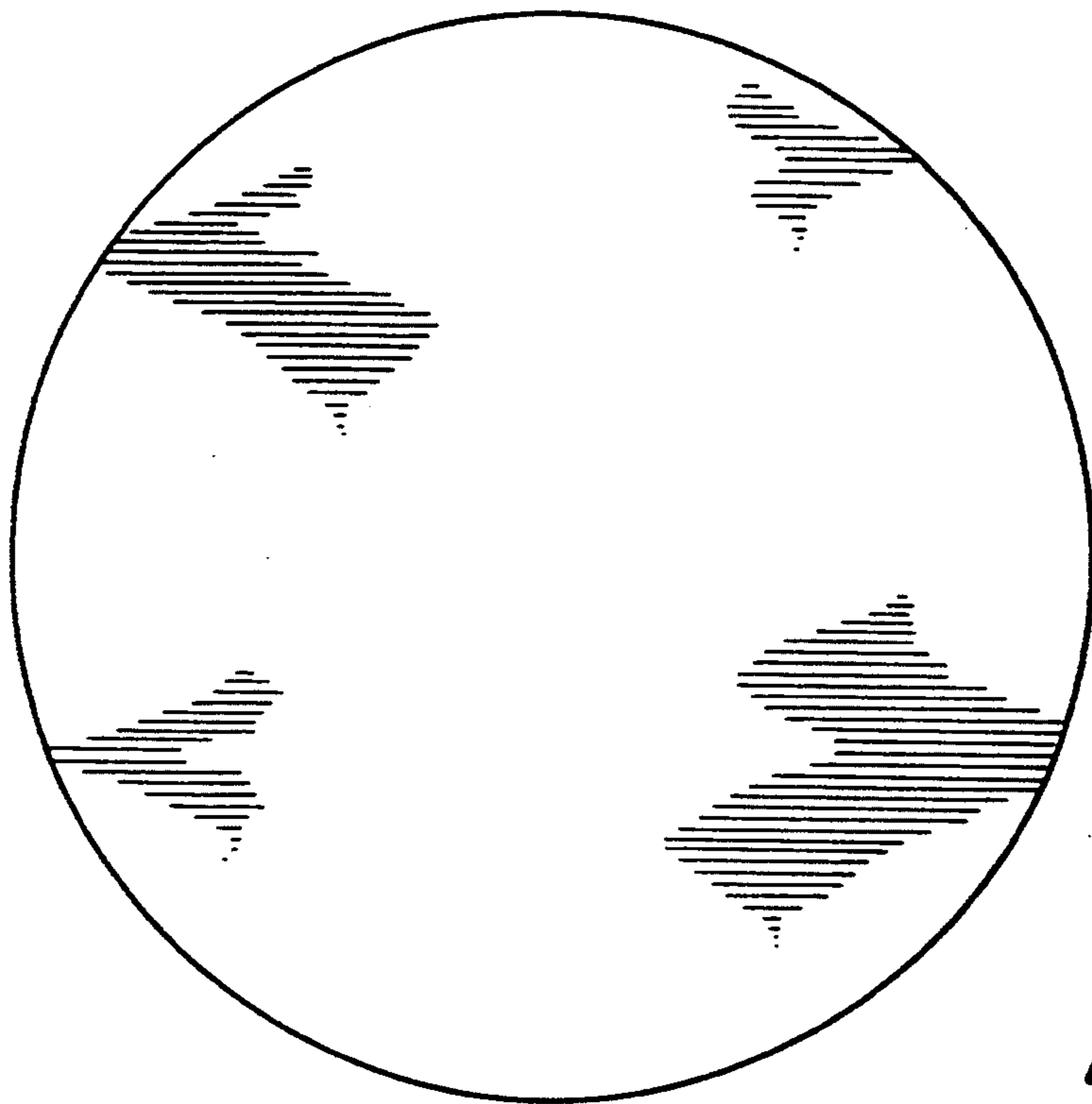
*Fig. 1*



*Fig. 2*



*Fig. 3*



*Fig. 4*