



US00D354982S

# United States Patent [19]

[11] Patent Number: Des. 354,982

Akahane et al.

[45] Date of Patent: \*\* Jan. 31, 1995

## [54] INKJET HEAD

[75] Inventors: **Fujio Akahane; Osamu Nakamura; Hisashi Miyazawa**, all of Nagano, Japan

[73] Assignee: **Seiko Epson Corporation**, Tokyo, Japan

[\*\*] Term: **14 Years**

[21] Appl. No.: **12,151**

[22] Filed: **Aug. 24, 1993**

### [30] Foreign Application Priority Data

Feb. 25, 1993 [JP] Japan ..... 5-5338

[52] U.S. Cl. .... **D18/56; 347/87**

[58] Field of Search ..... 347/86-87,  
347/43, 63; D18/56; 400/124

### [56] References Cited

#### U.S. PATENT DOCUMENTS

4,914,562	3/1990	Abe et al. ....	347/63
4,949,102	8/1990	Braun .....	347/87
4,959,667	9/1990	Kaplinsky .....	347/87
5,205,659	4/1993	Gugel et al. ....	400/124
5,212,502	5/1993	Bowling .....	347/86
5,255,988	10/1993	Yamamoto .....	D18/56
5,278,584	1/1994	Keefe et al. ....	347/87
5,317,339	5/1994	Braun et al. ....	347/87

#### FOREIGN PATENT DOCUMENTS

529879	3/1993	European Pat. Off. ....	347/87
564103	10/1993	European Pat. Off. ....	347/87
567308	10/1993	European Pat. Off. ....	347/87
9001266	1/1984	Japan .....	347/87
32666	2/1985	Japan .....	347/87
157871	8/1985	Japan .....	347/87
152757	7/1987	Japan .....	D18/87
3239062	10/1988	Japan .....	347/87
4-369552	12/1992	Japan .....	347/87
5008387	1/1993	Japan .....	347/87

#### OTHER PUBLICATIONS

Hewlett Packard Journal; Aug. 1988; Cover pg.; Color Thermal Inkjet Print Cartridge.

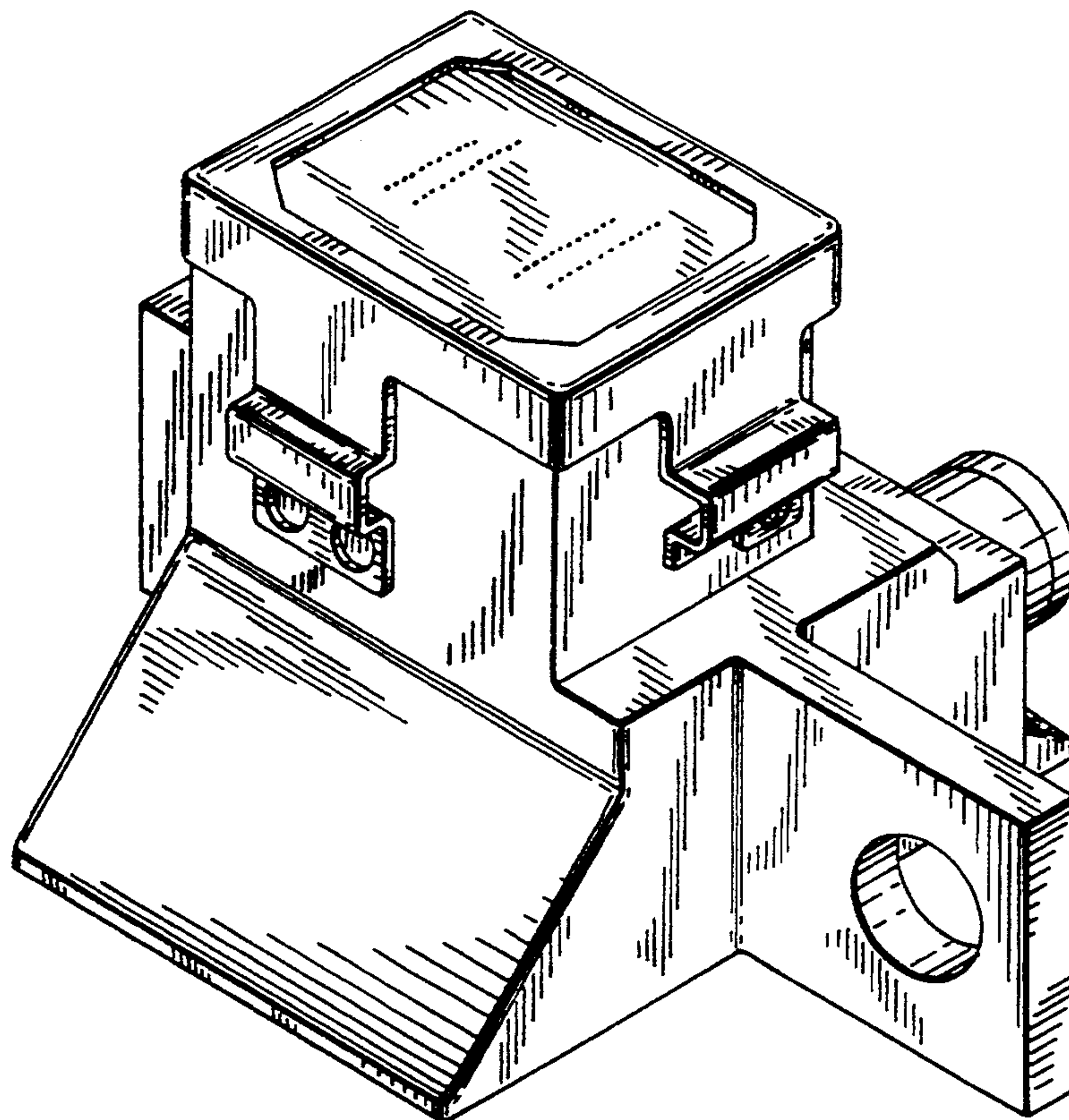
*Primary Examiner*—Cathy Anne MacCormac  
*Attorney, Agent, or Firm*—Stroock & Stroock & Lavan

### [57] CLAIM

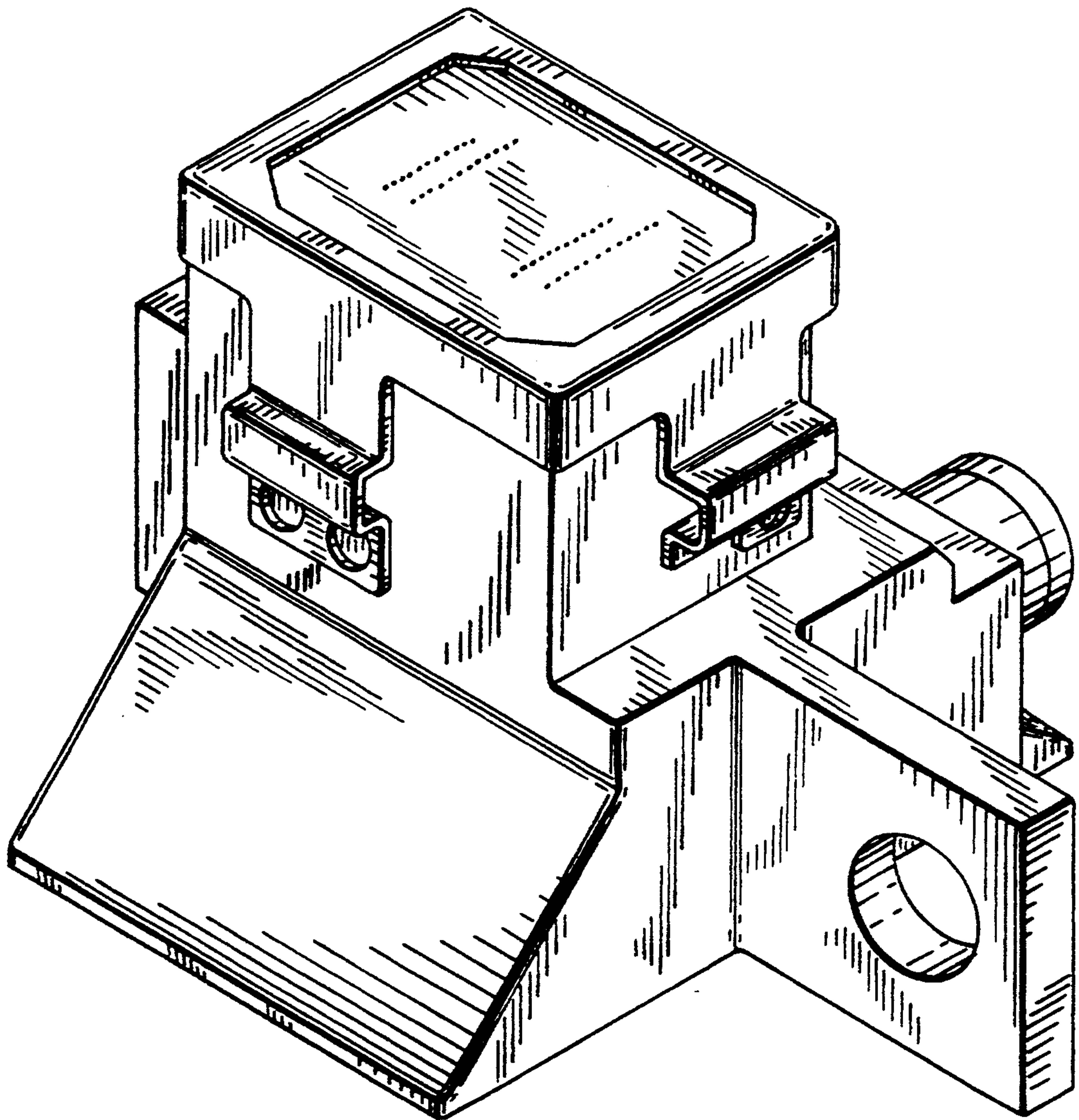
The ornamental design for an inkjet head, as shown and described.

#### DESCRIPTION

FIG. 1 is a front perspective view of the inkjet head in accordance with our new design; FIG. 2 is a top plan view thereof; FIG. 3 is a front elevational view thereof; FIG. 4 is a left side view thereof; FIG. 5 is a right side view thereof; FIG. 6 is a rear elevational view thereof; and, FIG. 7 is a bottom plan view thereof.

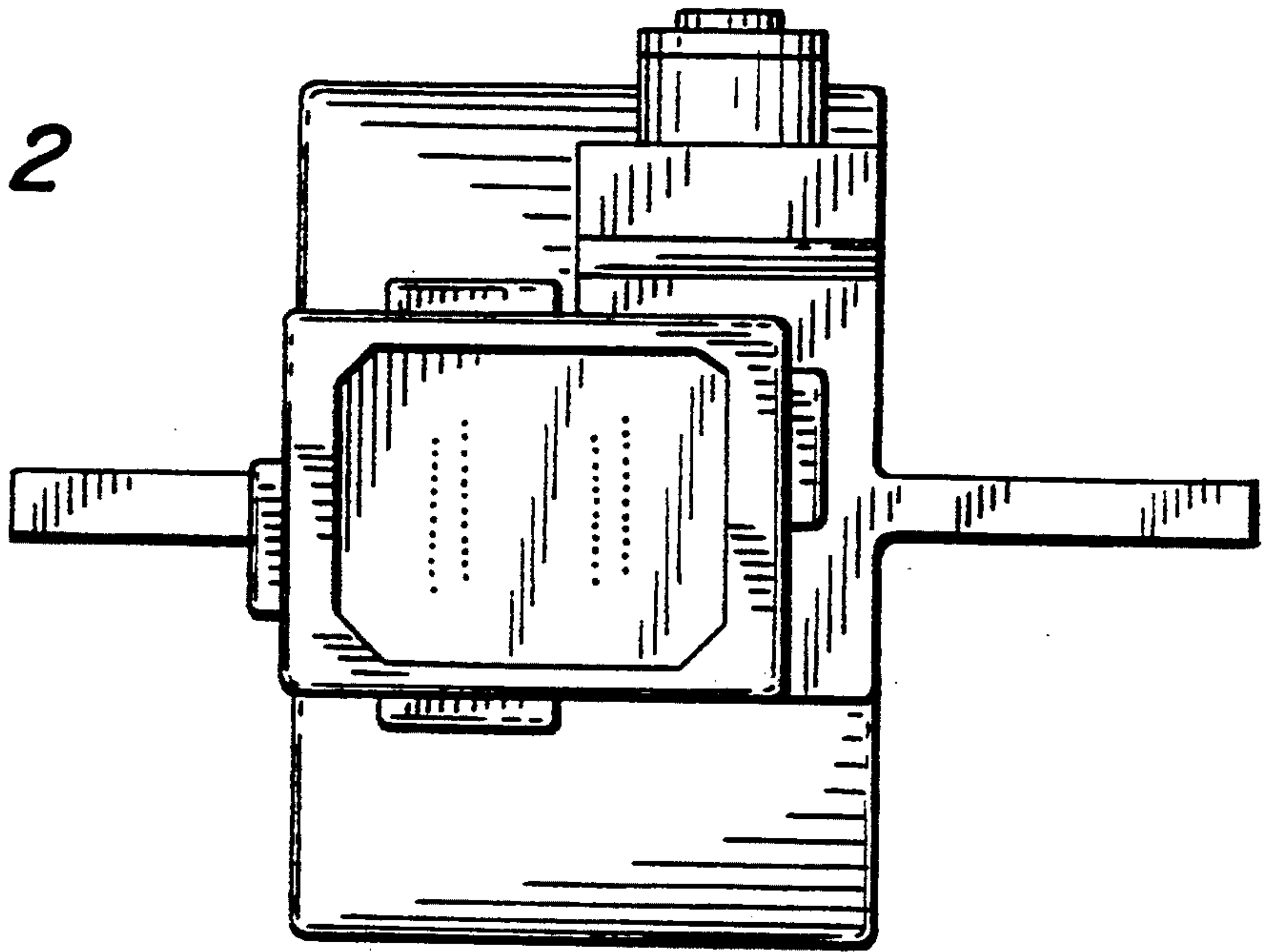


*FIG. 1*

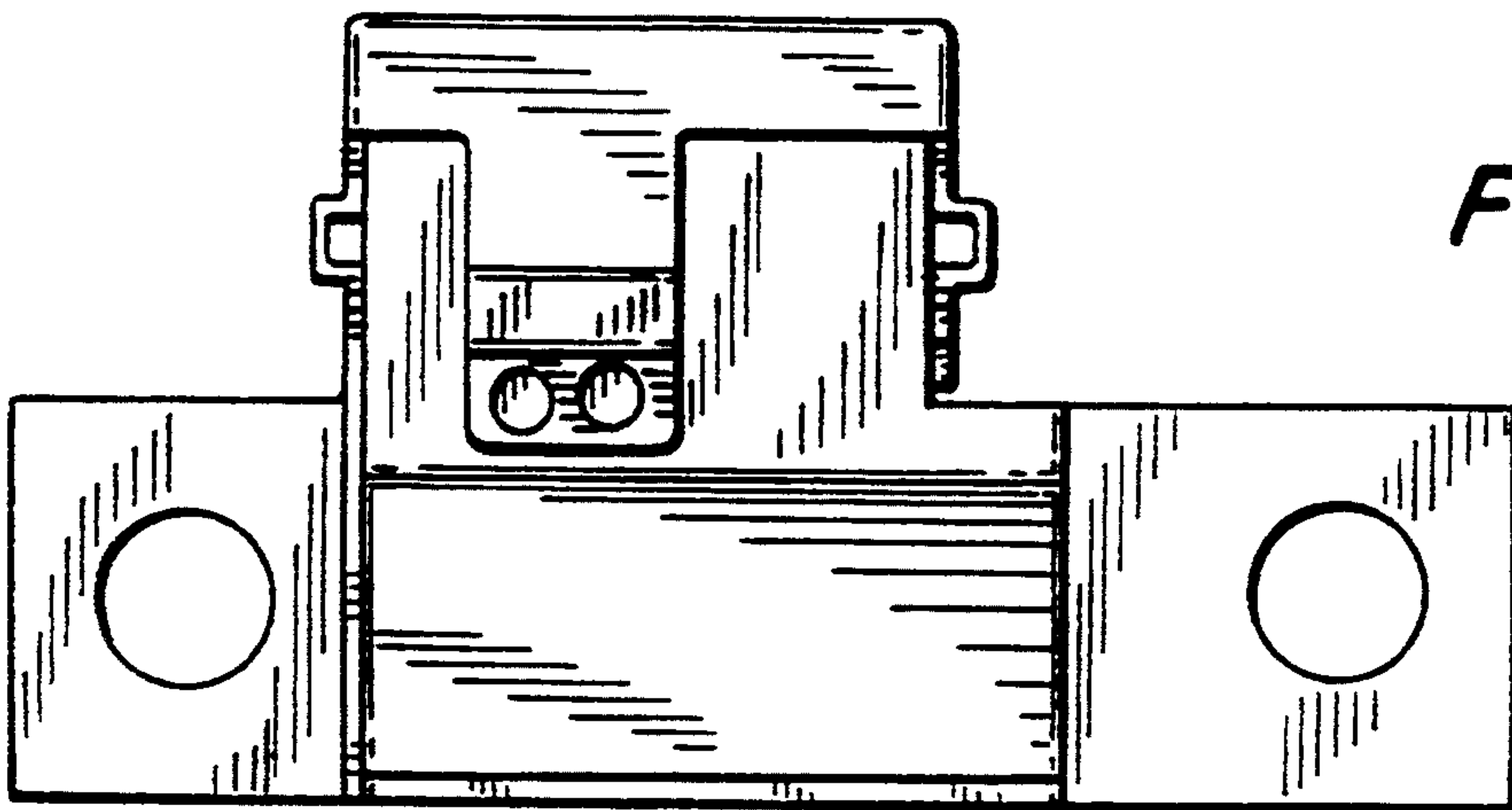




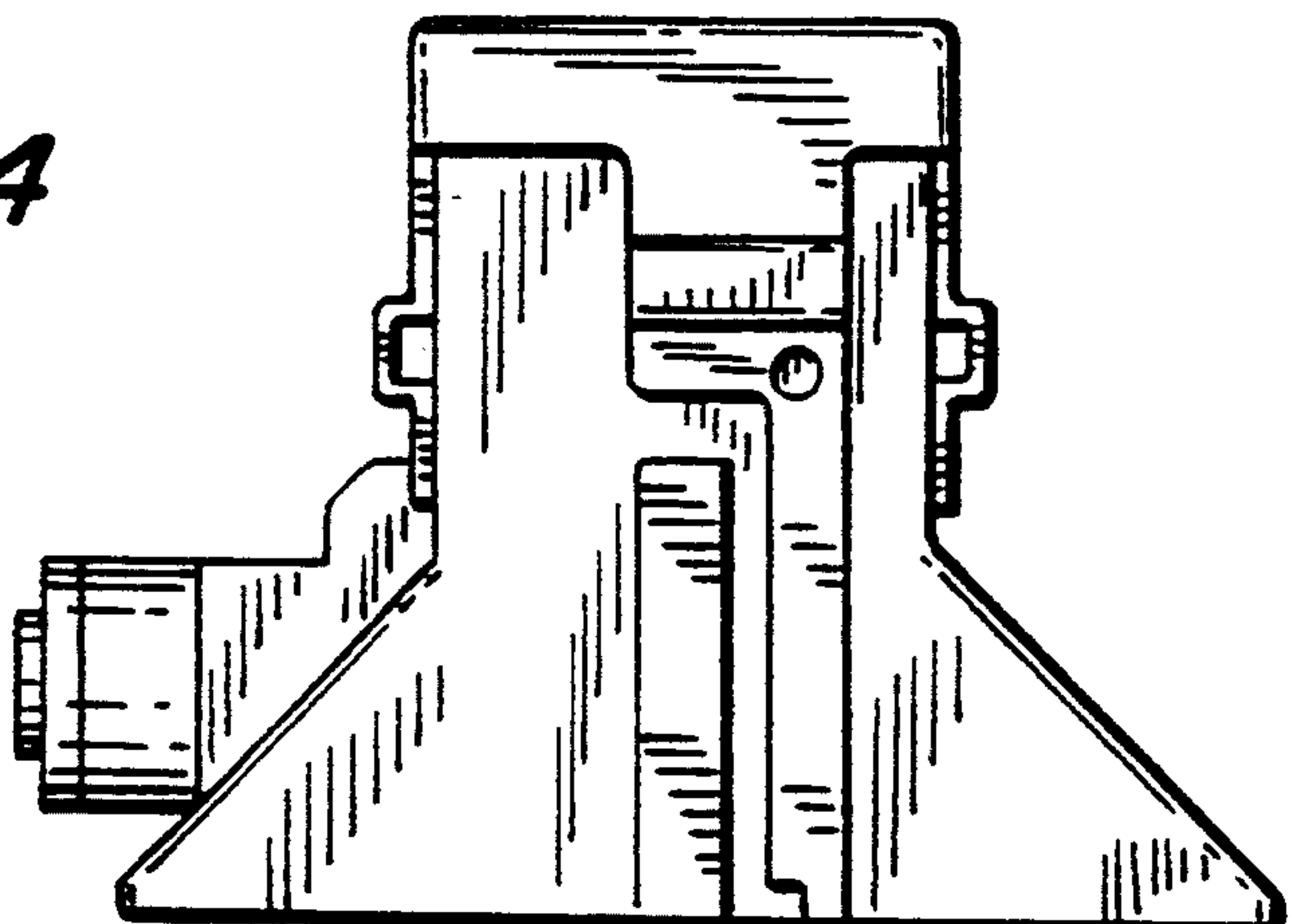
*FIG. 2*



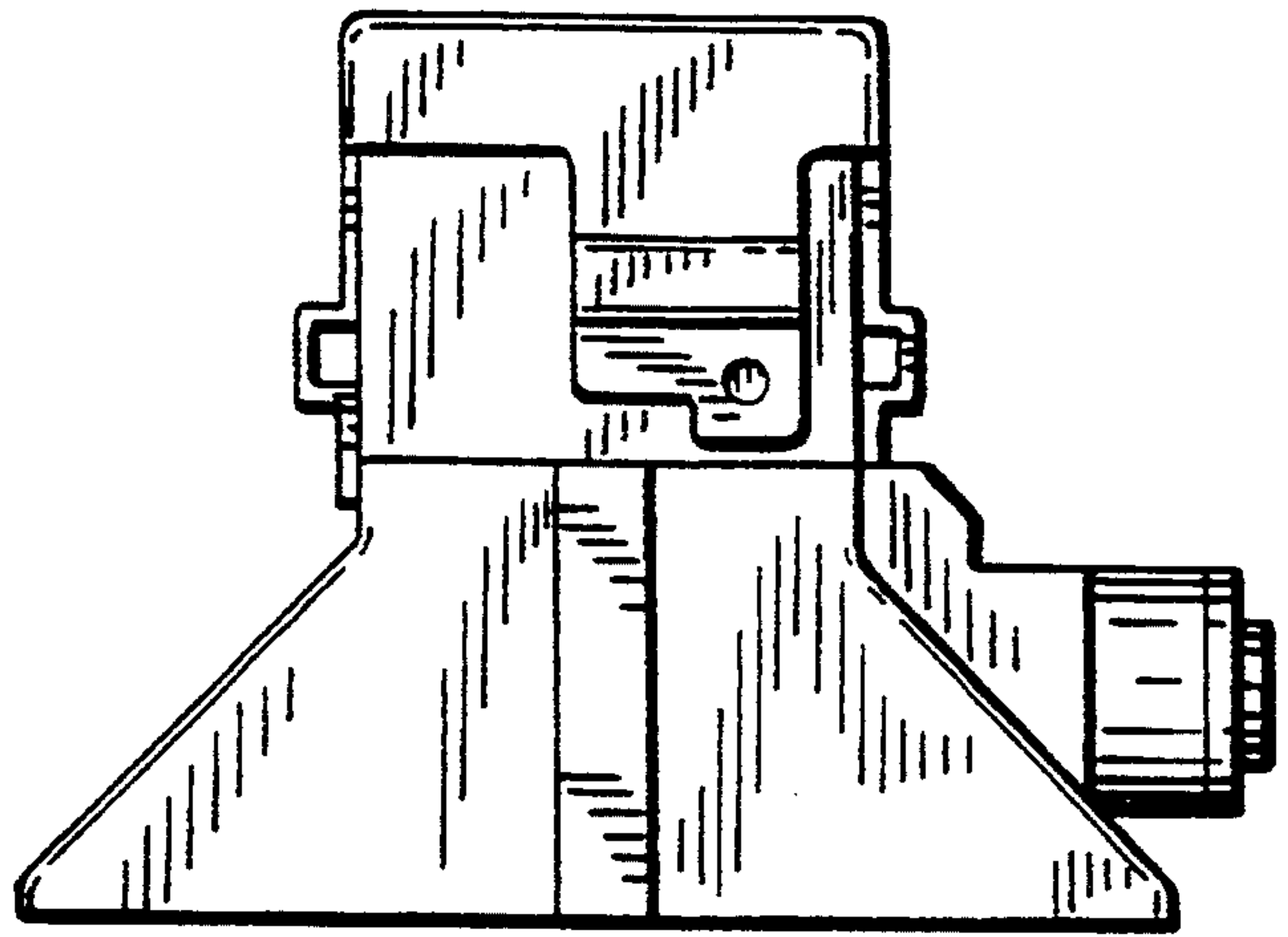
*FIG. 3*



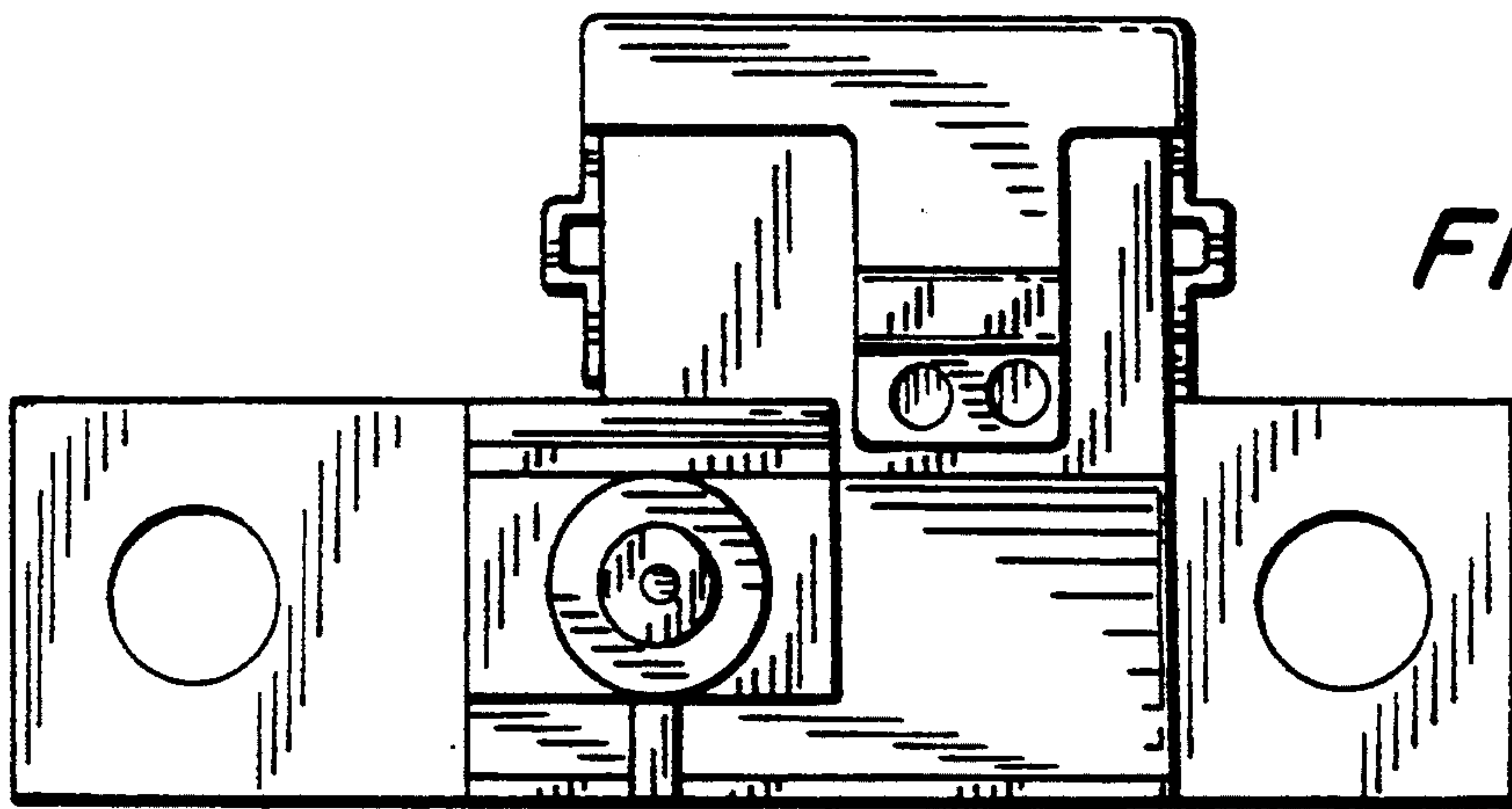
*FIG. 4*



*FIG. 5*



*FIG. 6*



*FIG. 7*

