



US00D354981S

United States Patent [19]

[11] Patent Number: **Des. 354,981**

Kobayashi et al.

[45] Date of Patent: **** Jan. 31, 1995**

[54] **PRINTER FOR AN ELECTRONIC COMPUTER**

D. 348,899 7/1994 Masujima et al. D18/55

[75] Inventors: **Makoto Kobayashi; Masayuki Ono,**
both of Nagano, Japan

[73] Assignee: **Seiko Epson Corporation,** Tokyo,
Japan

[**] Term: **14 Years**

[21] Appl. No.: **15,755**

[22] Filed: **Nov. 29, 1993**

[30] **Foreign Application Priority Data**

May 27, 1993 [JP] Japan 5-15417

[52] U.S. Cl. **D18/54**

[58] Field of Search D18/50, 53, 54, 55;
400/690-694, 613, 613.1-613.4, 690.1-690.4

[56] **References Cited**

U.S. PATENT DOCUMENTS

- D. 319,654 9/1991 Kobayashi et al. D18/54
- D. 324,395 3/1992 Dubson D18/54
- D. 333,302 2/1993 Ebihara et al. D18/50
- D. 337,608 7/1993 Miyamoto D18/55
- D. 338,231 8/1993 Miyamoto D18/55
- D. 343,409 1/1994 Kobayashi D18/50

OTHER PUBLICATIONS

Brochure from Fose Expo Show Epson Action-Printer 3250.

Computer Design; Jun. 1979; p. 150; Data Royal IPS 7000 Printing System.

Seiko Instruments Personal Color Point PSE brochure; ©1992; cover photograph.

Primary Examiner—Cathy Anne MacCormac

Attorney, Agent, or Firm—Stroock & Stroock & Lavan

[57] **CLAIM**

The ornamental design for a printer for an electronic computer, as shown and described.

DESCRIPTION

FIG. 1 is a front perspective view of the printer for electronic computer in accordance with our new design;

FIG. 2 is a top plan view thereof;

FIG. 3 is a right side view thereof;

FIG. 4 is a front elevational view thereof;

FIG. 5 is a left side view thereof;

FIG. 6 is a rear elevational view thereof; and,

FIG. 7 is a bottom plan view thereof.

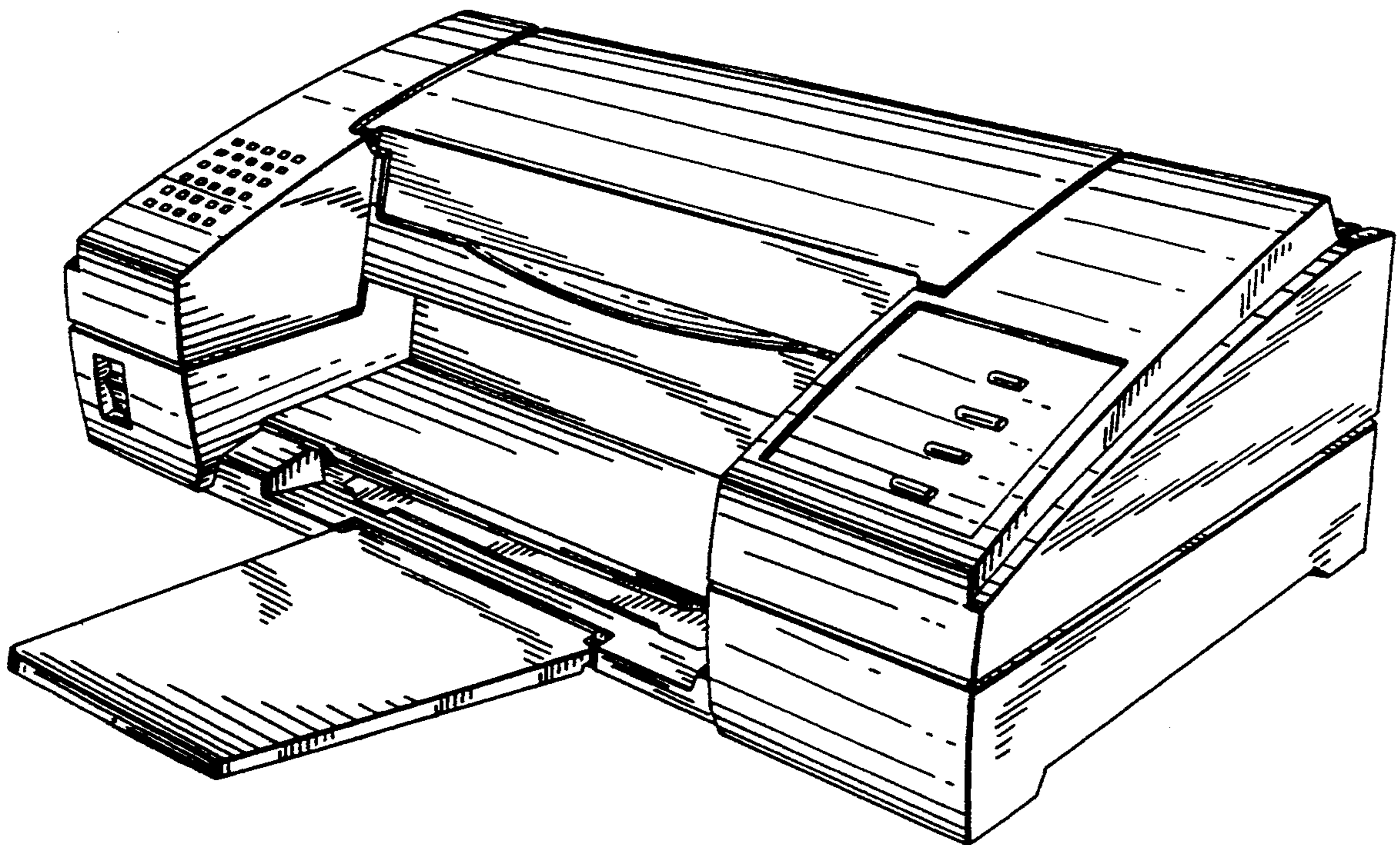


FIG. 1

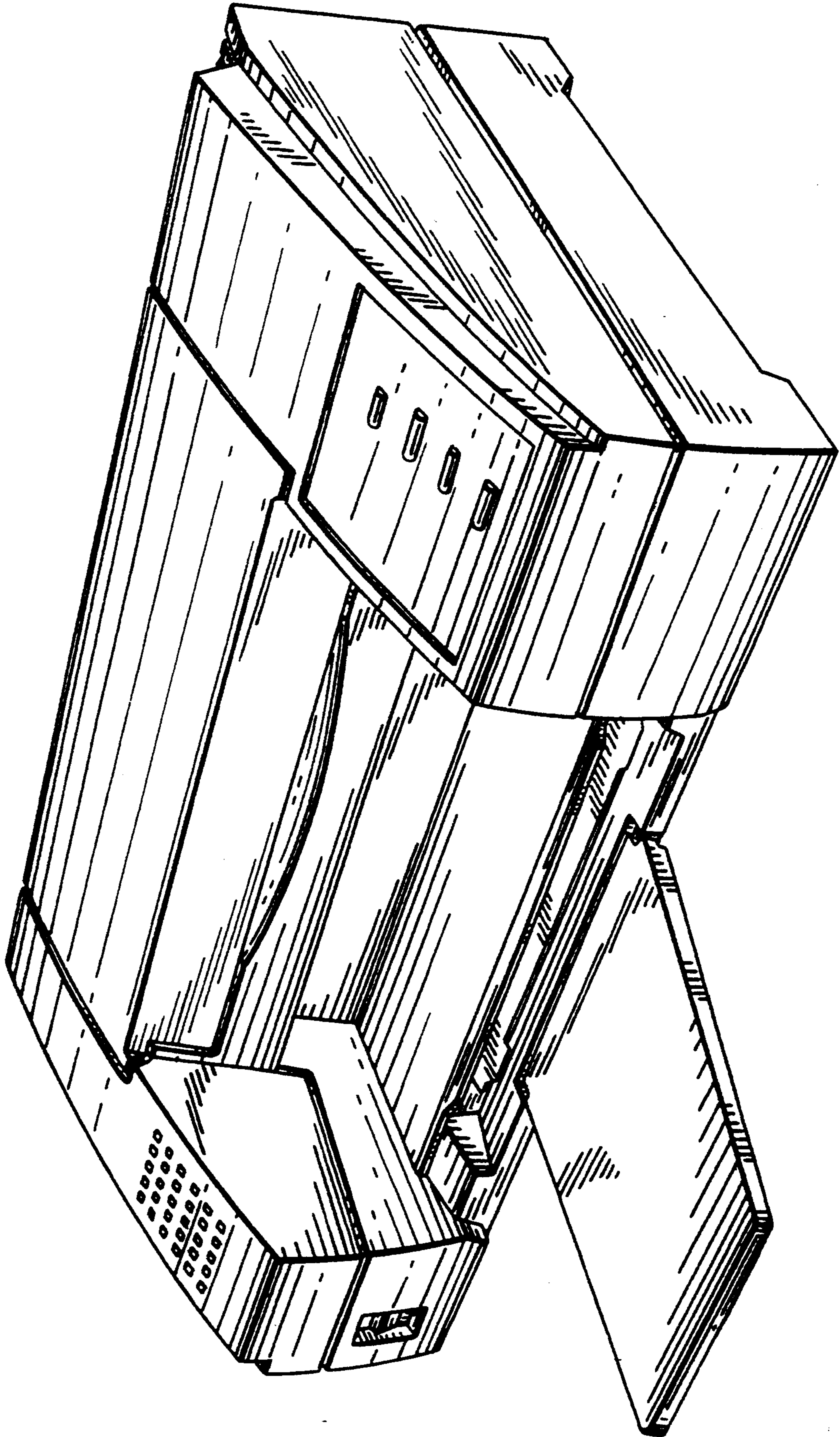


FIG. 2

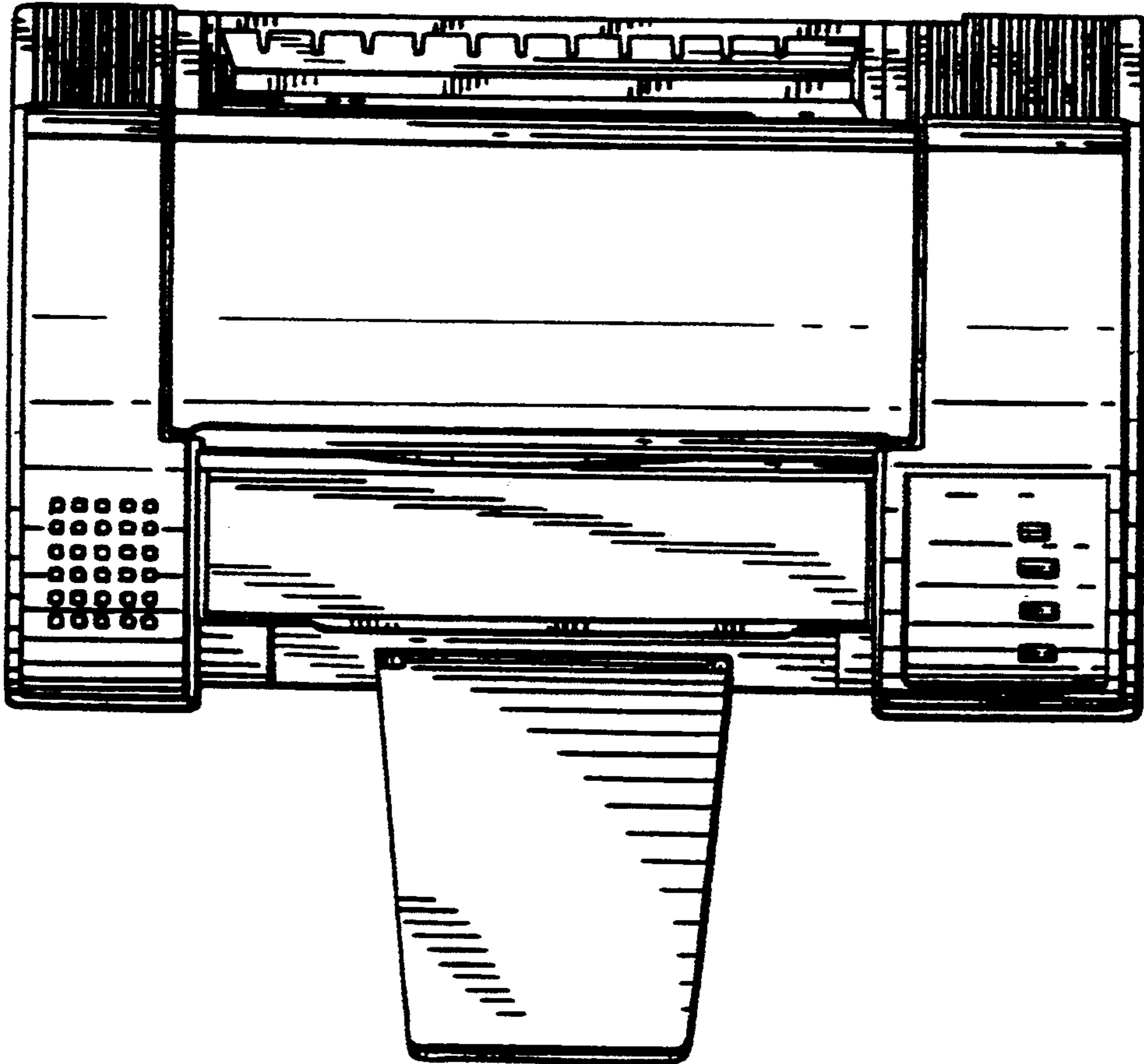
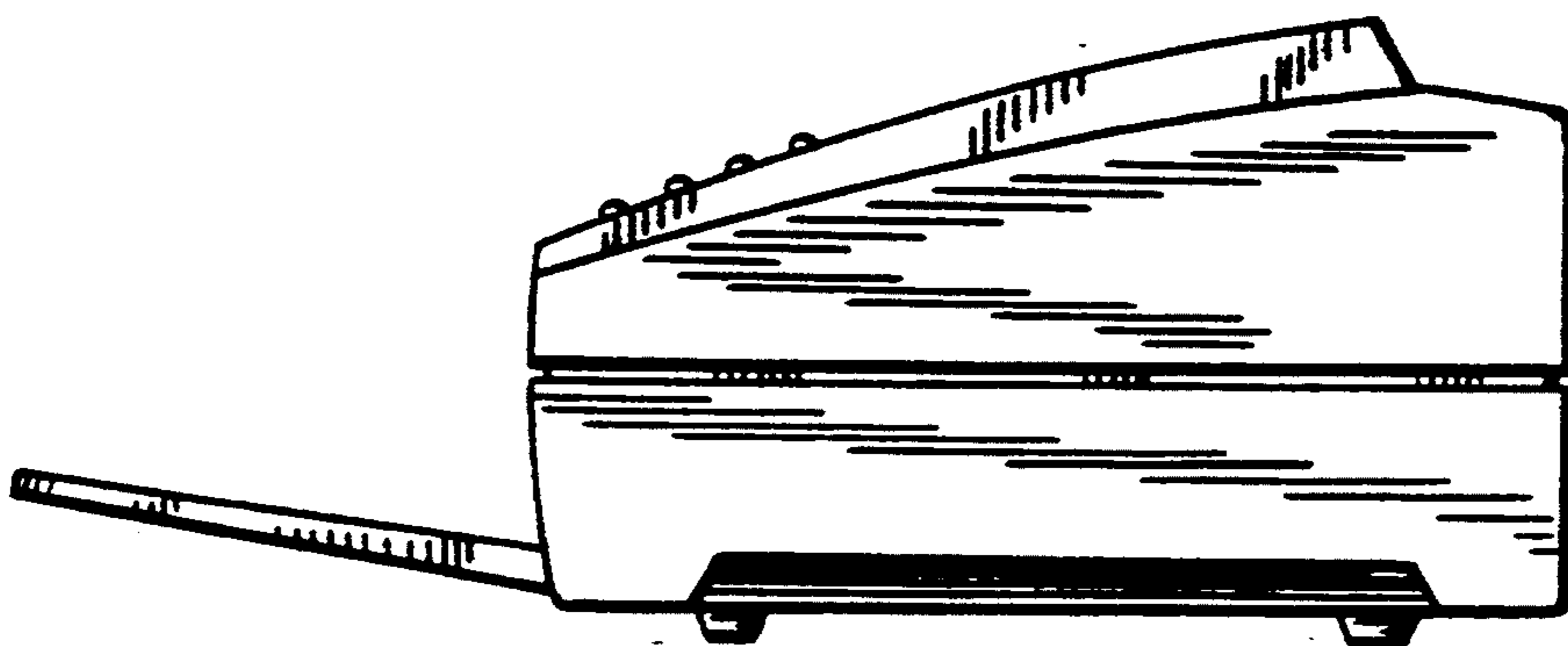


FIG. 3



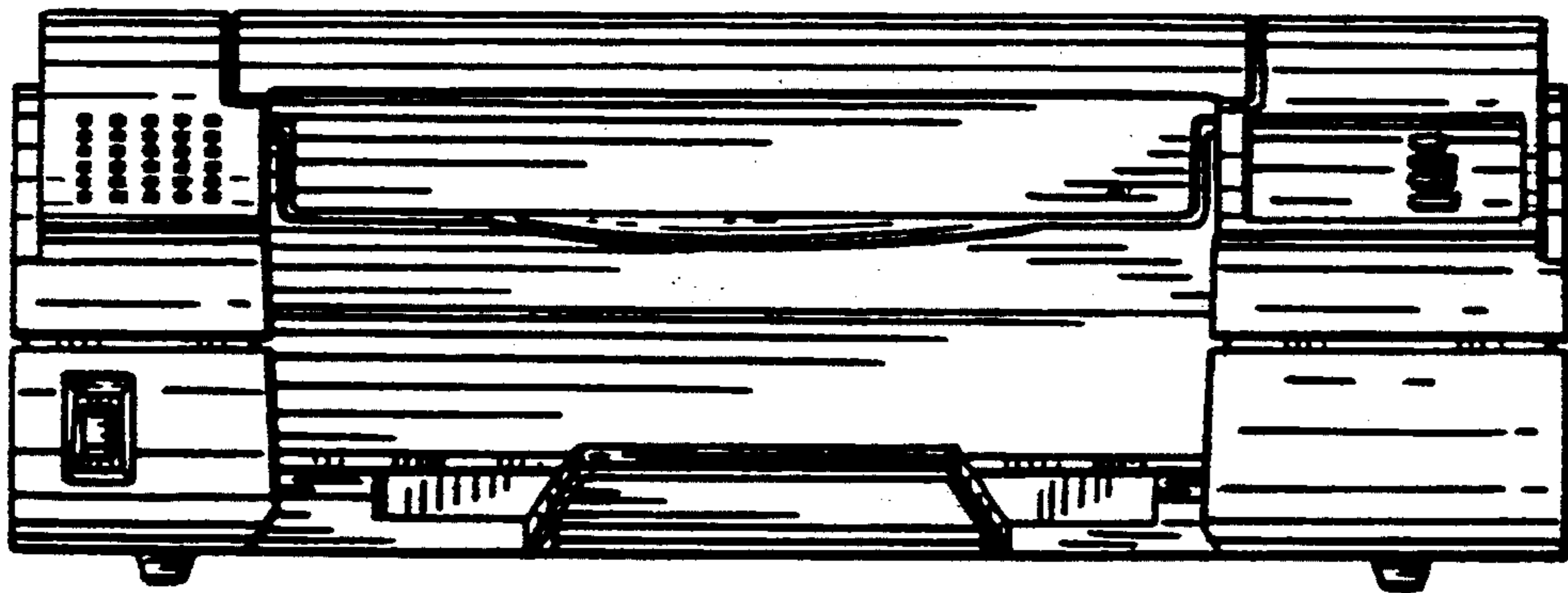


FIG. 4

FIG. 5

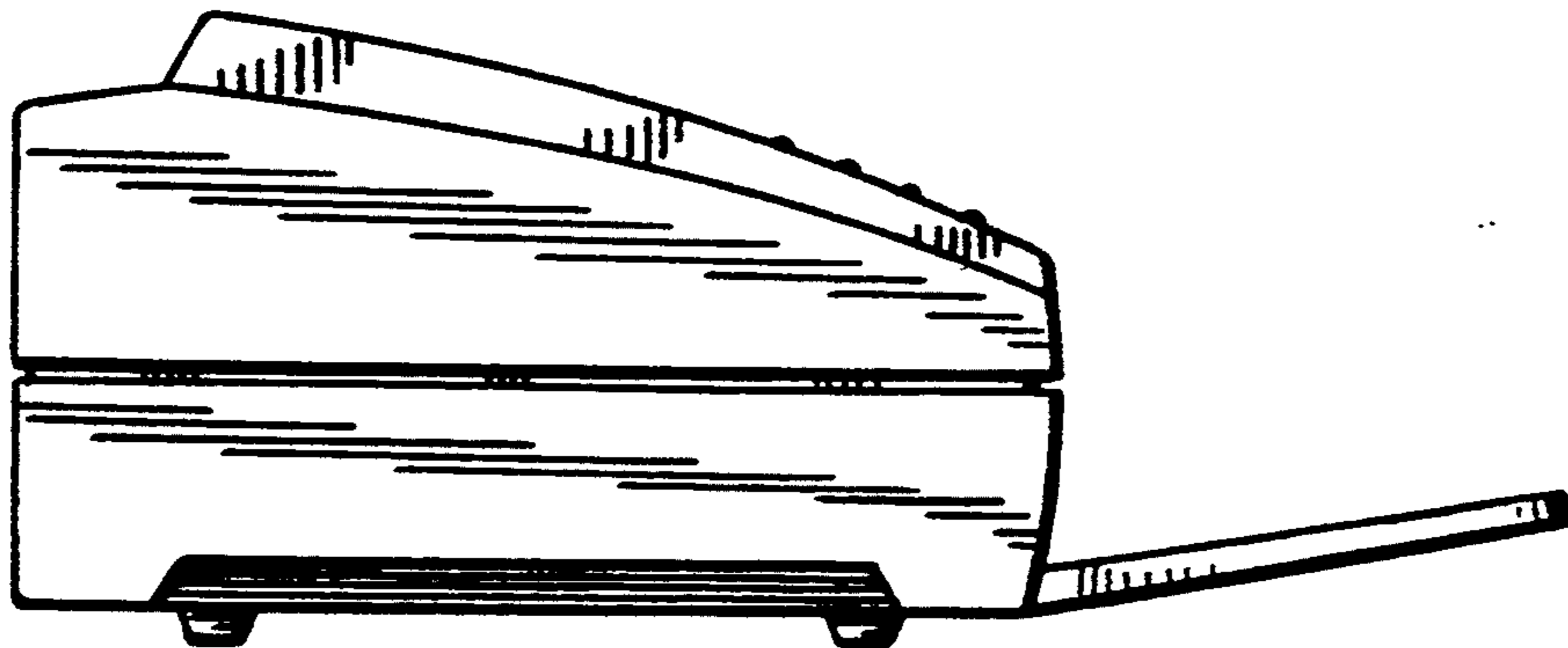


FIG. 6

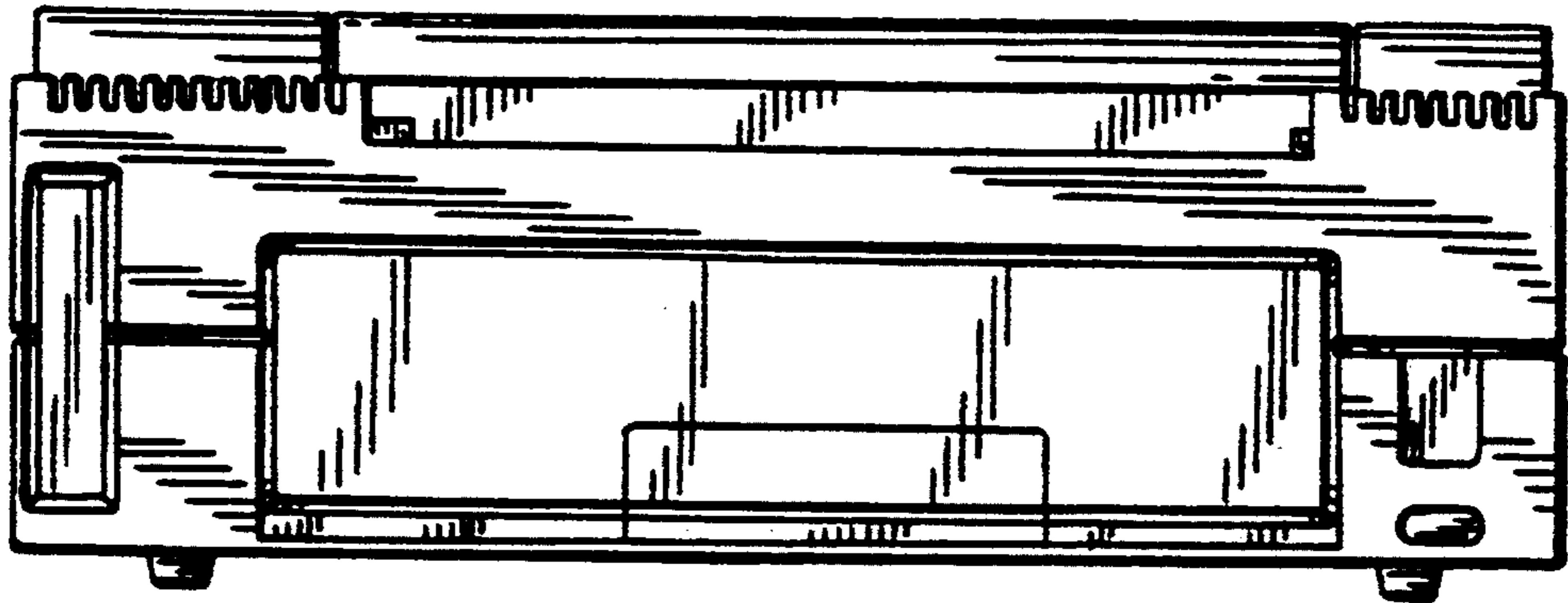


FIG. 7

