



US00D354980S

United States Patent [19]

Nakajima et al.

[11] Patent Number: **Des. 354,980**

[45] Date of Patent: **** Jan. 31, 1995**

[54] **IMAGE DRUM CARTRIDGE**

[75] Inventors: **Shigeki Nakajima; Yukio Ota; Yoshiharu Momiyama**, all of Tokyo, Japan

[73] Assignee: **Oki Electric Industry Co., Ltd.**, Tokyo, Japan

[**] Term: **14 Years**

[21] Appl. No.: **8,626**

[22] Filed: **May 21, 1993**

[30] **Foreign Application Priority Data**

Mar. 22, 1993 [JP] Japan 5-7779
[52] U.S. Cl. **D18/43**
[58] Field of Search D18/36, 40, 43; 222/DIG. 1; 355/206, 208, 245, 260, 298

[56] **References Cited**

U.S. PATENT DOCUMENTS

D. 303,543 9/1989 Seki D18/36
D. 309,323 7/1990 Craft et al. D18/40
D. 332,962 2/1993 Kikuchi et al. D18/43

Primary Examiner—Martie Thompson
Assistant Examiner—Caron D. Veynar
Attorney, Agent, or Firm—Wenderoth, Lind & Ponack

[57] **CLAIM**

The ornamental design for an image drum cartridge, as shown and described.

DESCRIPTION

FIG. 1 is a left side, top and front perspective view of an image drum cartridge showing our new design; FIG. 2 is a front elevational view thereof; FIG. 3 is a rear elevational view thereof; FIG. 4 is a top plan view thereof; FIG. 5 is a bottom view thereof; FIG. 6 is a left side elevational view thereof; and, FIG. 7 is a right side elevational view thereof.

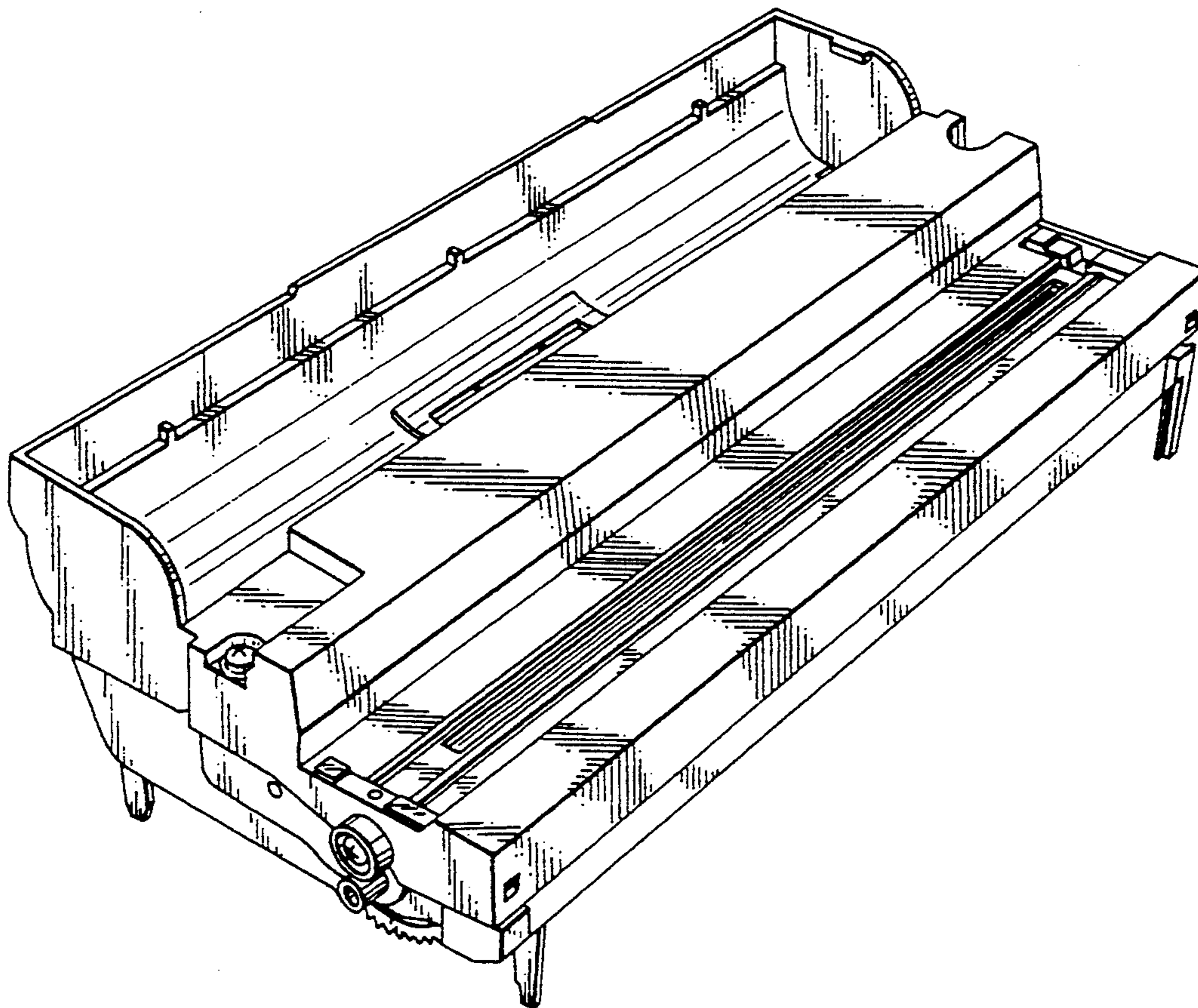


Fig. 1

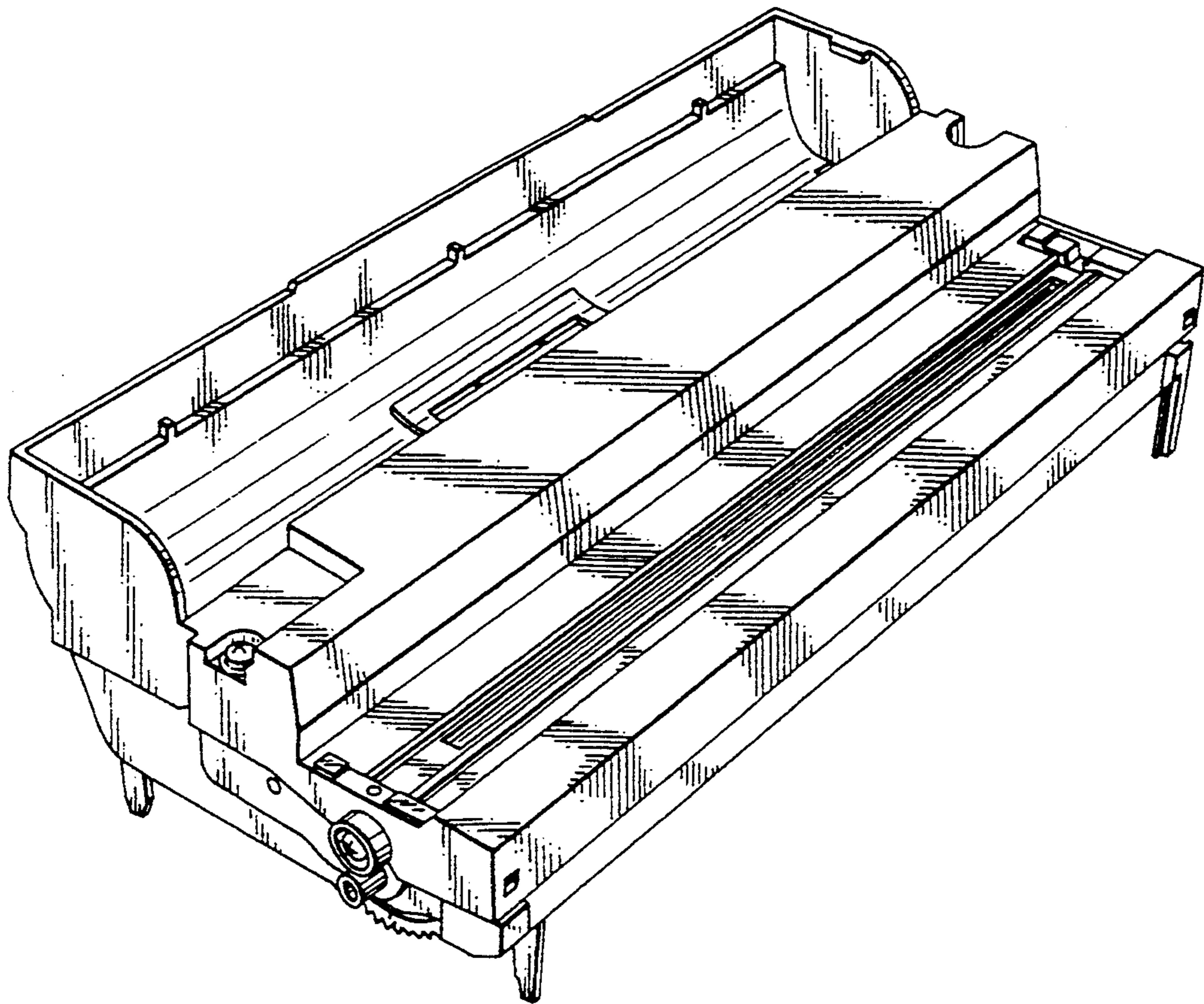


Fig. 2

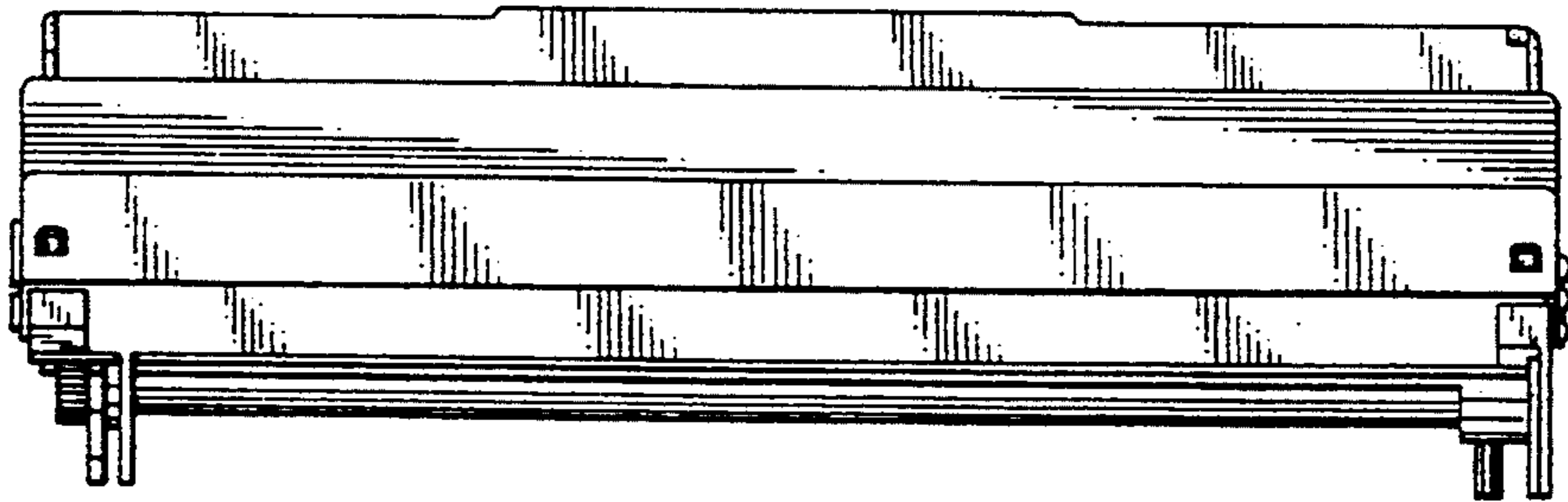


Fig. 3

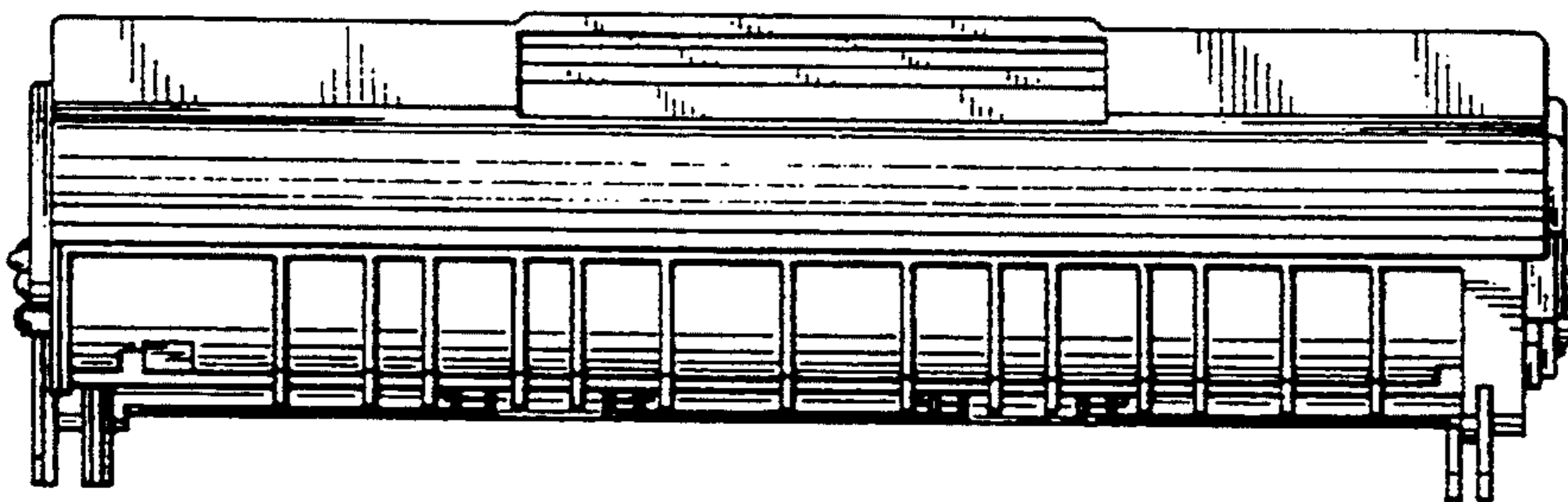


Fig. 4

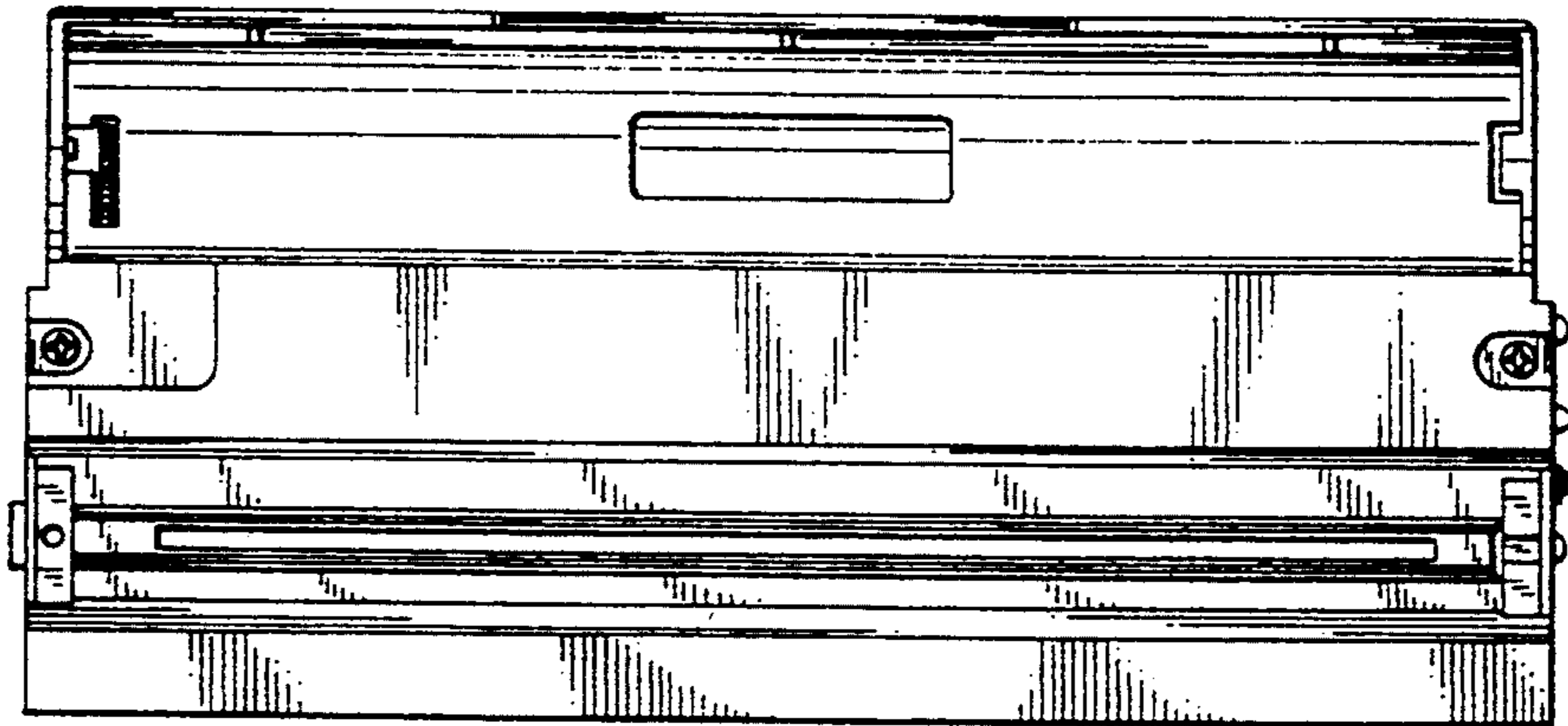


Fig. 5

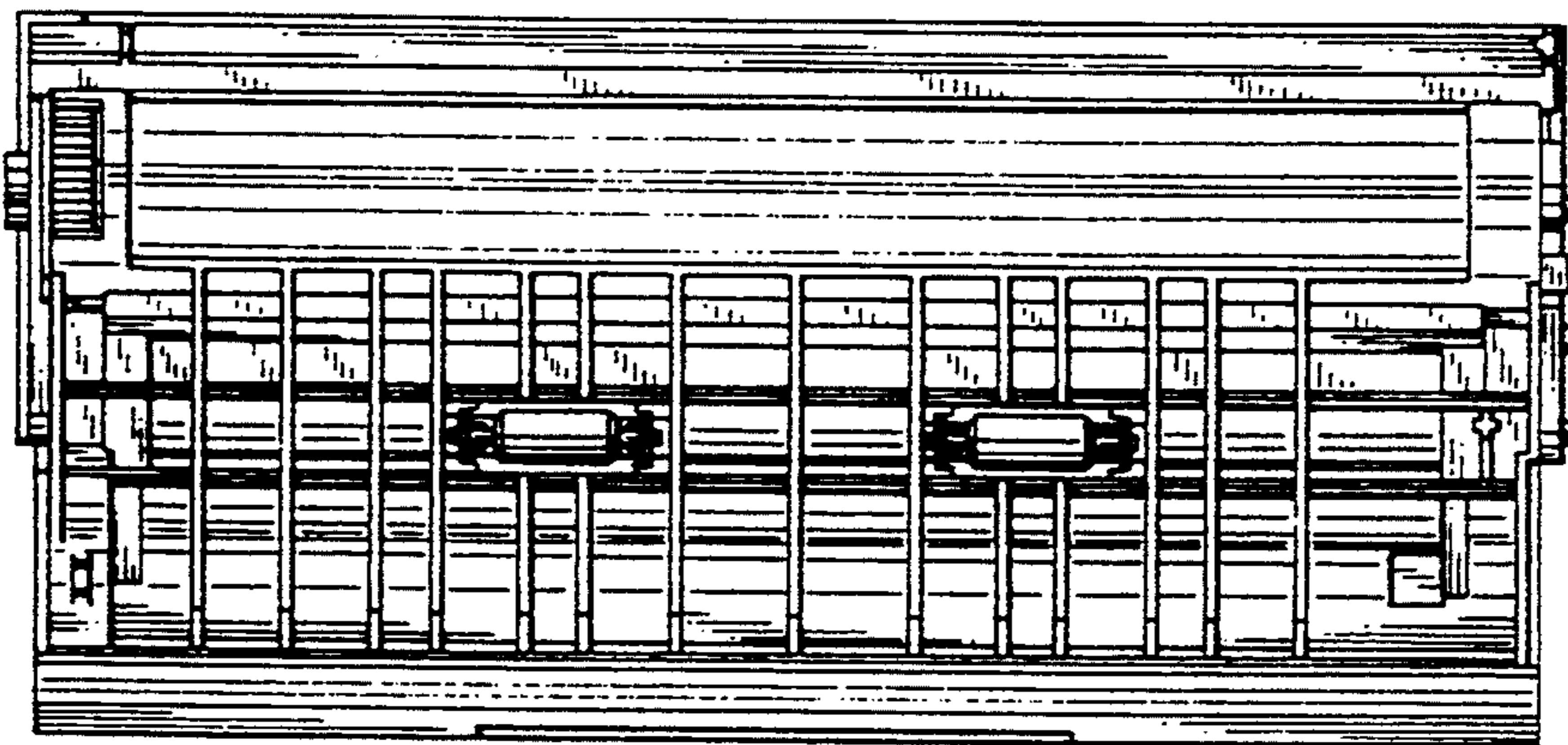


Fig. 6

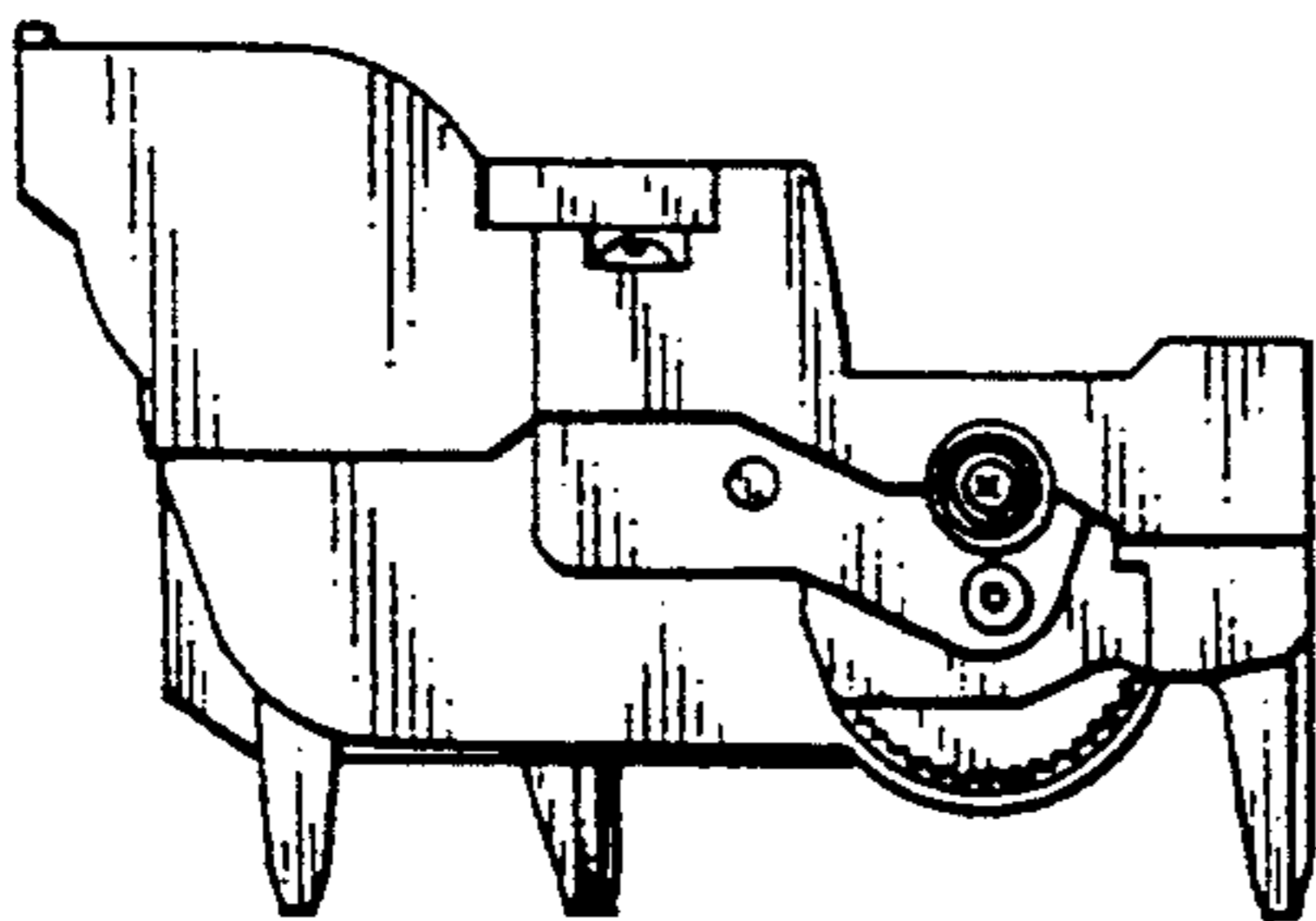


Fig. 7

