



US00D354978S

# United States Patent [19]

[11] Patent Number: **Des. 354,978**

Yoshida et al.

[45] Date of Patent: **\*\* Jan. 31, 1995**

[54] **REFILLABLE INK RIBBON CARTRIDGE**

[75] Inventors: **Keita Yoshida**, Tokyo; **Noboru Shimoyama**, Yokohama, both of Japan

[73] Assignee: **Canon Business Machines, Inc.**, Costa Mesa, Calif.

[\*\*] Term: **14 Years**

[21] Appl. No.: **907,218**

[22] Filed: **Jul. 1, 1992**

[52] U.S. Cl. .... **D18/12**

[58] Field of Search ..... **D18/12, 56; D14/120, D14/121; 400/194, 195, 196, 196.1, 207, 208**

[56] **References Cited**

**U.S. PATENT DOCUMENTS**

- D. 281,255 11/1985 Nibley et al. .... D18/12
- D. 281,330 11/1985 Kando ..... D18/12
- D. 302,828 8/1989 Endo et al. .... D18/12

*Primary Examiner*—Alan P. Douglas

*Assistant Examiner*—Caron D. Veynar  
*Attorney, Agent, or Firm*—Fitzpatrick, Cella, Harper & Scinto

[57] **CLAIM**

The ornamental design for a refillable ink ribbon cartridge, as shown and described.

**DESCRIPTION**

FIG. 1 is a perspective view of our new refillable ink ribbon cartridge;  
 FIG. 2 is a front view of the refillable ink ribbon cartridge;  
 FIG. 3 is a back view of the refillable ink ribbon cartridge;  
 FIG. 4 is a left-hand side view of the refillable ink ribbon cartridge;  
 FIG. 5 is a right-hand side view of the refillable ink ribbon cartridge;  
 FIG. 6 is a top view, looking down on the refillable ink ribbon cartridge; and,  
 FIG. 7 is a bottom view looking up of the refillable ink ribbon cartridge.

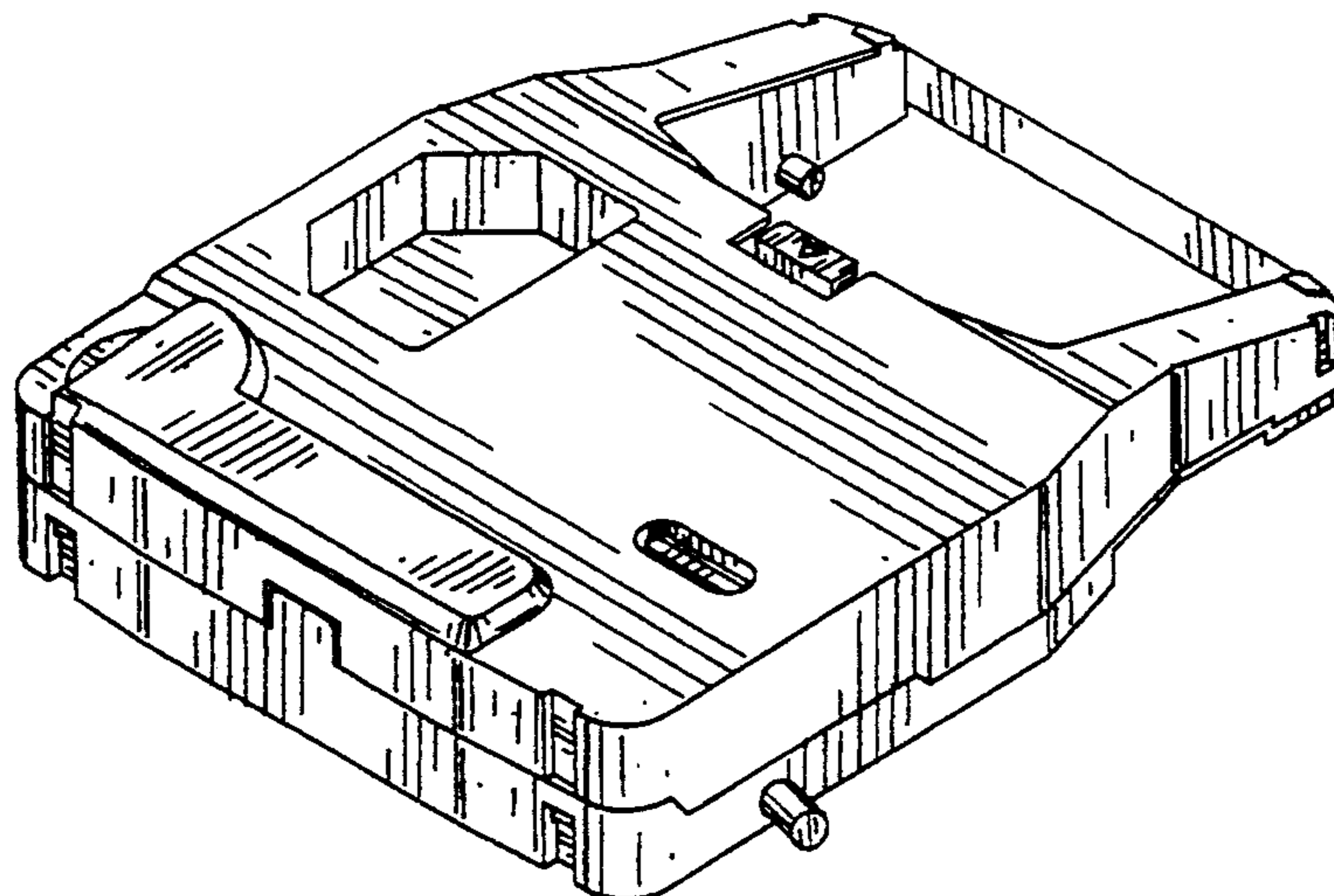


FIG. 1

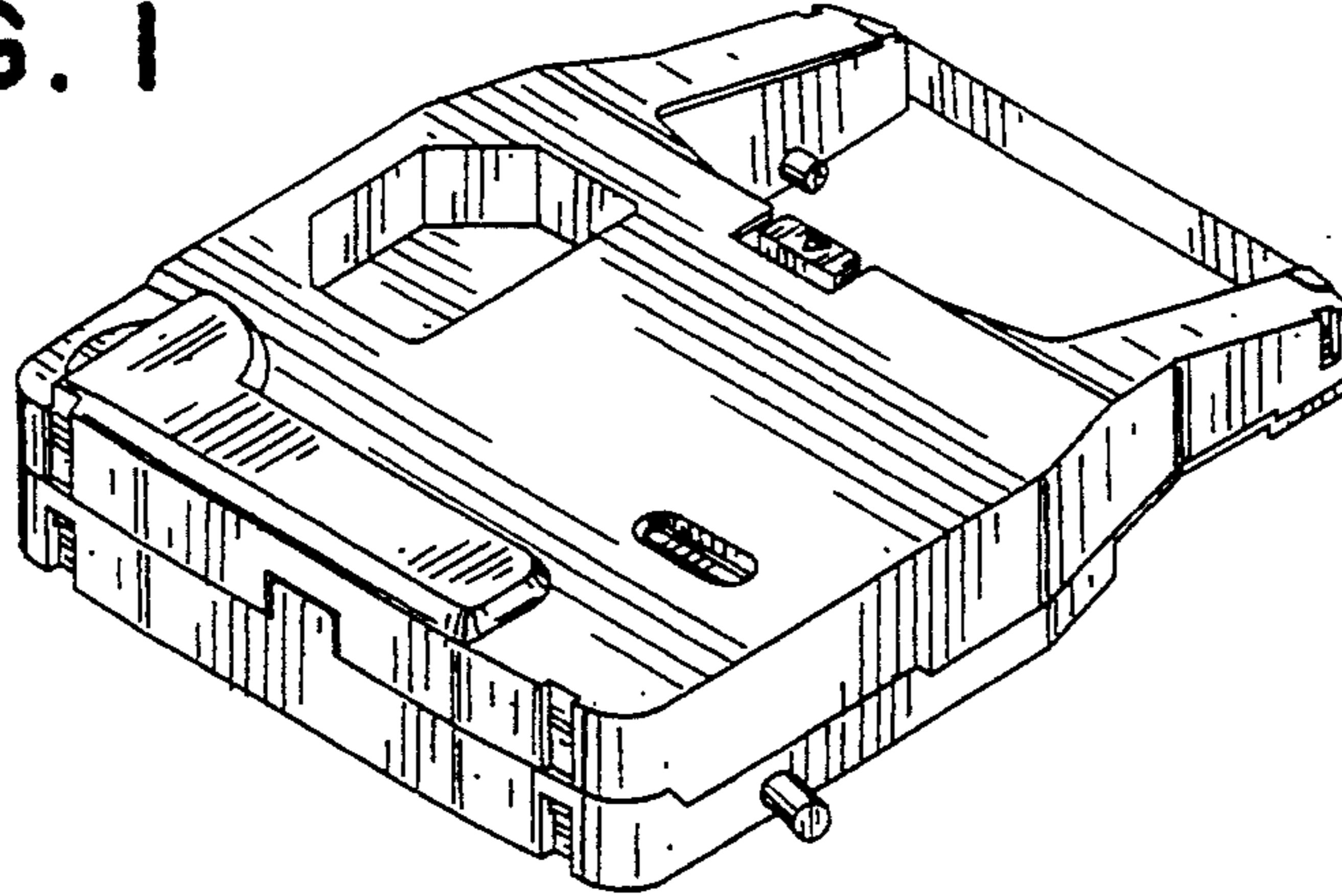


FIG. 2

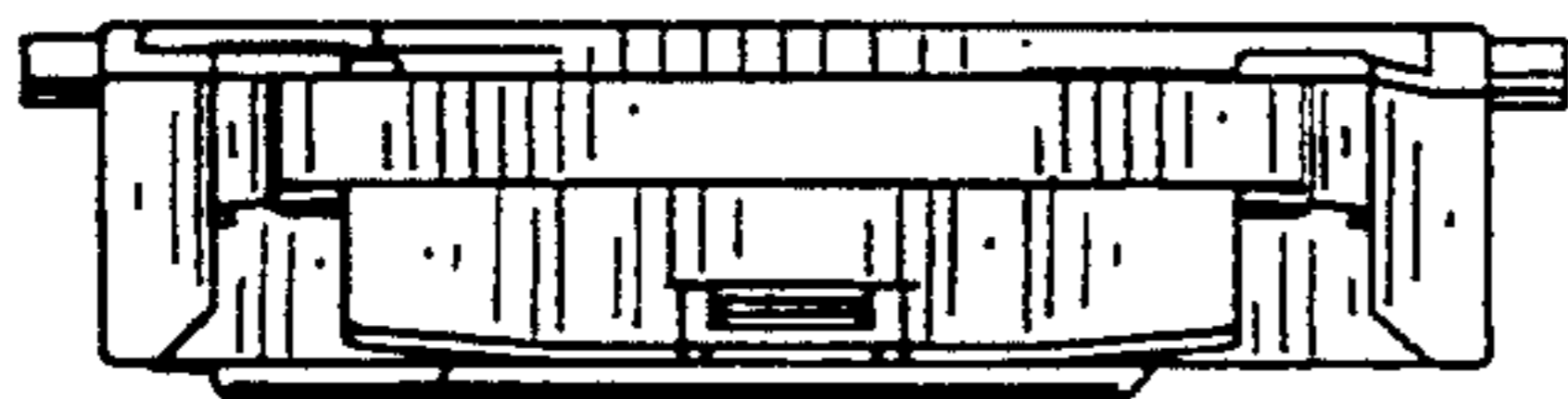


FIG. 3

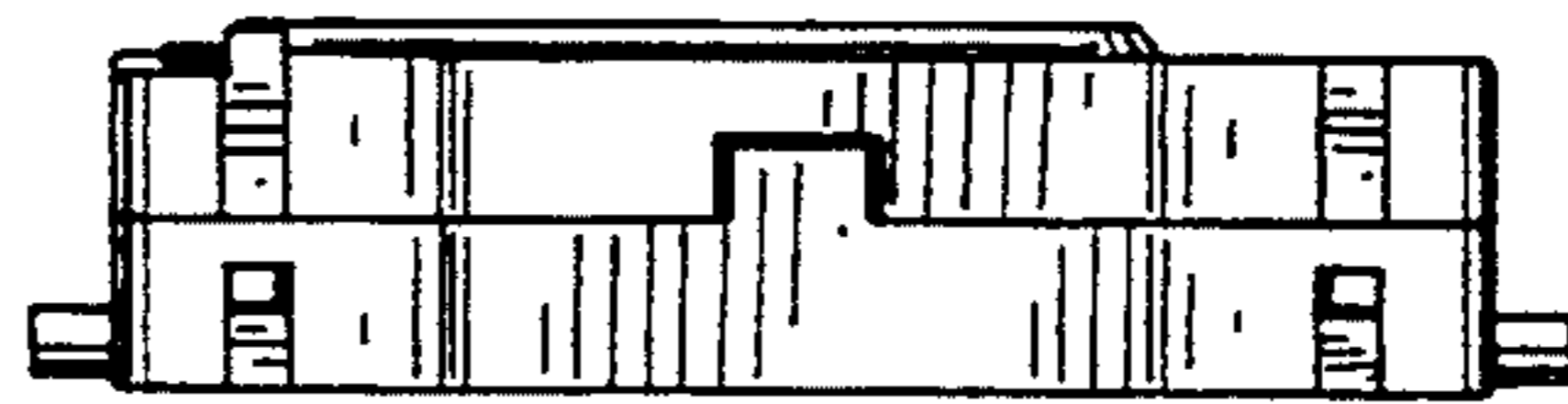


FIG. 4

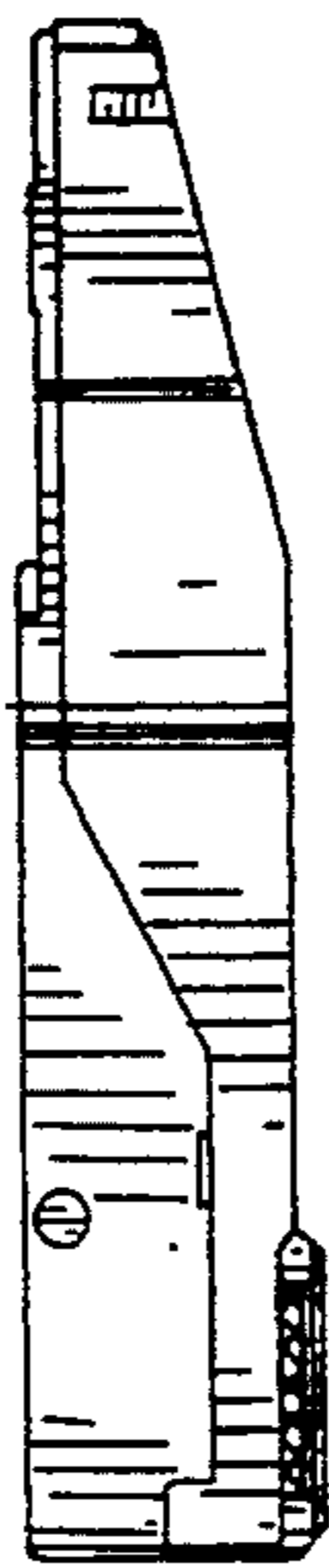


FIG. 5



FIG. 6

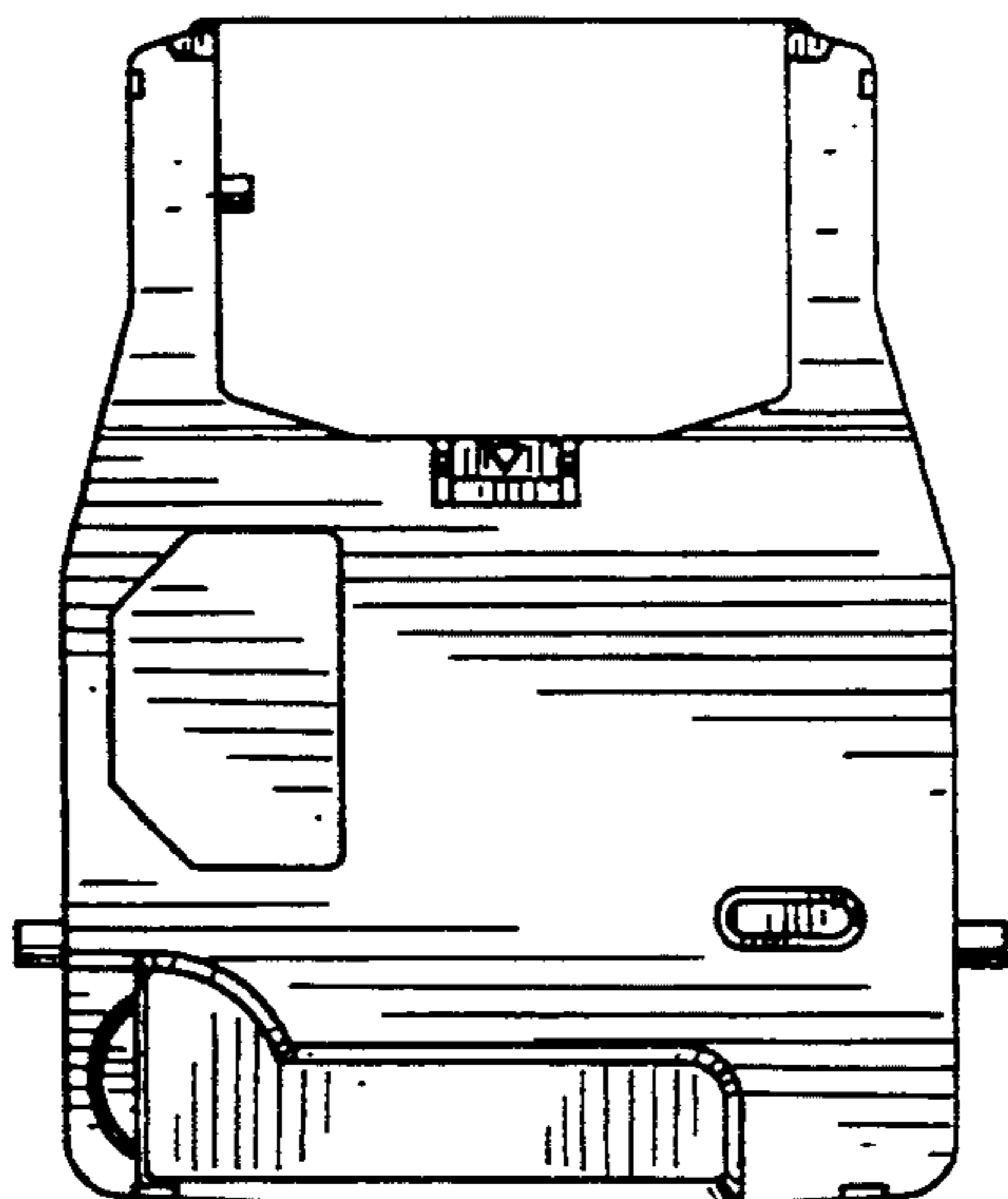


FIG. 7

