



US00D354975S

United States Patent [19]
Penn

[11] **Patent Number: Des. 354,975**

[45] **Date of Patent: ** Jan. 31, 1995**

[54] **SPINNING DRUM CARRIER**

4,256,007 3/1981 Streit 84/421
4,450,993 5/1984 Ephraim 224/265

[76] **Inventor: Henry A. Penn, Rte. 2, Box 429-D,
Brandenburg, Ky. 40108**

Primary Examiner—Bernard Ansher
Assistant Examiner—Adir Aronovich
Attorney, Agent, or Firm—Middleton & Reutlinger

[**] **Term: 14 Years**

[21] **Appl. No.: 13,805**

[57] **CLAIM**

[22] **Filed: Oct. 4, 1993**

The ornamental design for a spinning drum carrier, as shown and described.

[52] **U.S. Cl. D17/22; 84/421;
224/910**

DESCRIPTION

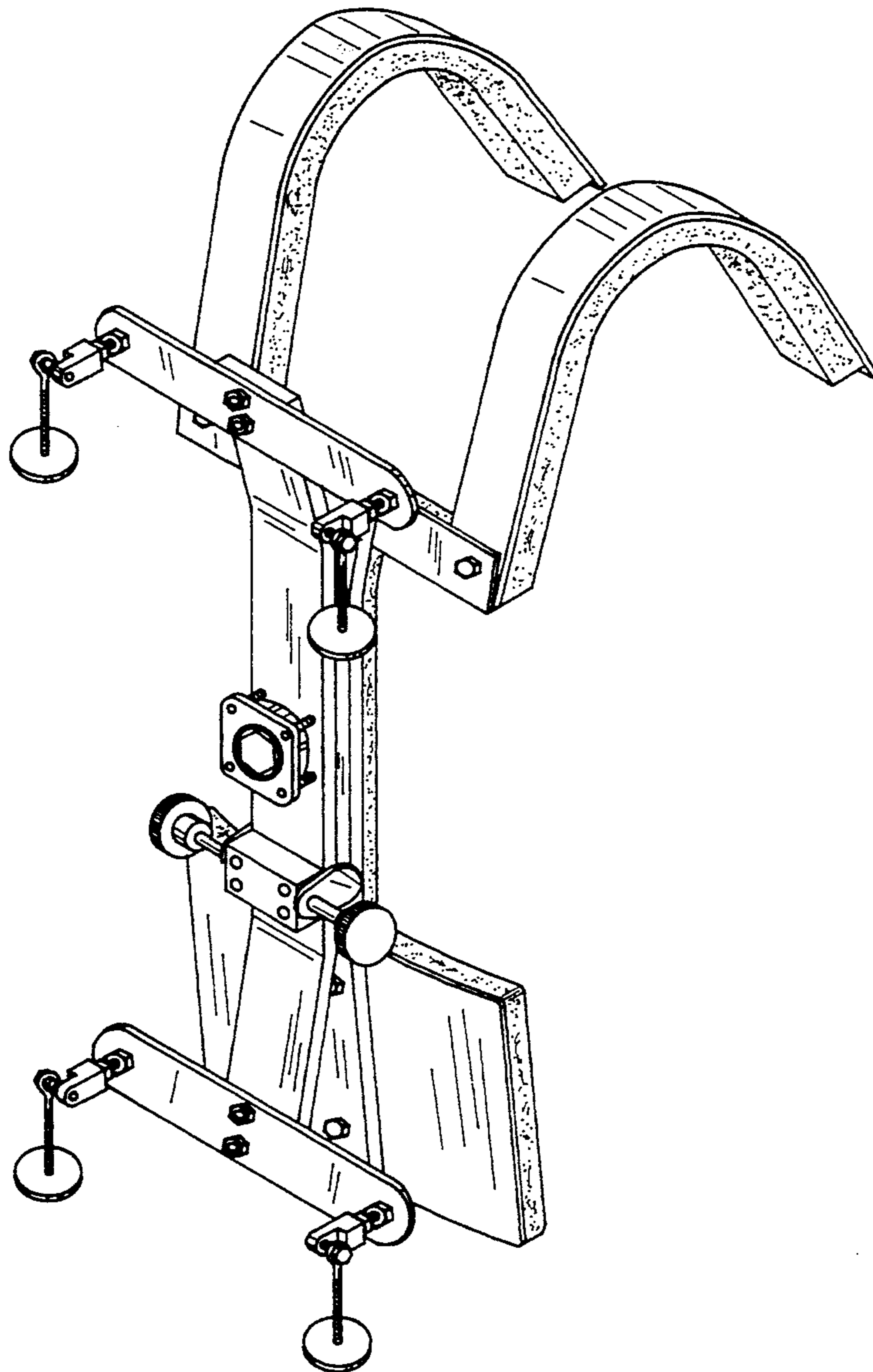
[58] **Field of Search D17/22, 99; D34/28;
84/411 R, 418-421; 224/265, 910**

FIG. 1 is a perspective view of a spinning drum carrier made in accordance with my design;
FIG. 2 is a top plan view thereof;
FIG. 3 is front elevational view thereof;
FIG. 4 is a side elevational view thereof;
FIG. 5 is bottom plan view thereof; and,
FIG. 6 is a rear elevational view thereof.

[56] **References Cited**

U.S. PATENT DOCUMENTS

D. 245,876 9/1977 Sazama D17/99
3,021,744 2/1962 Kester 84/421



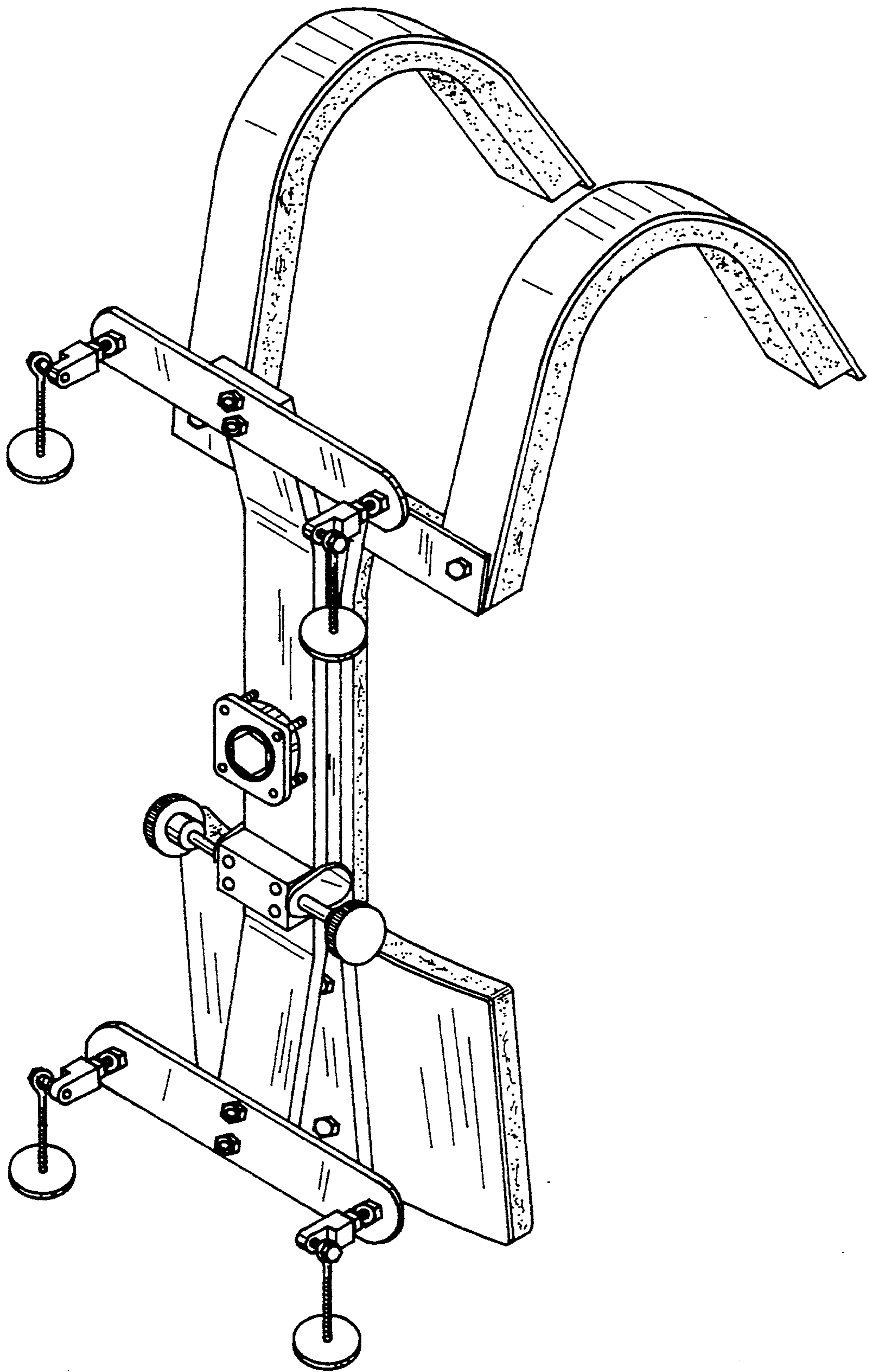


FIG. 1

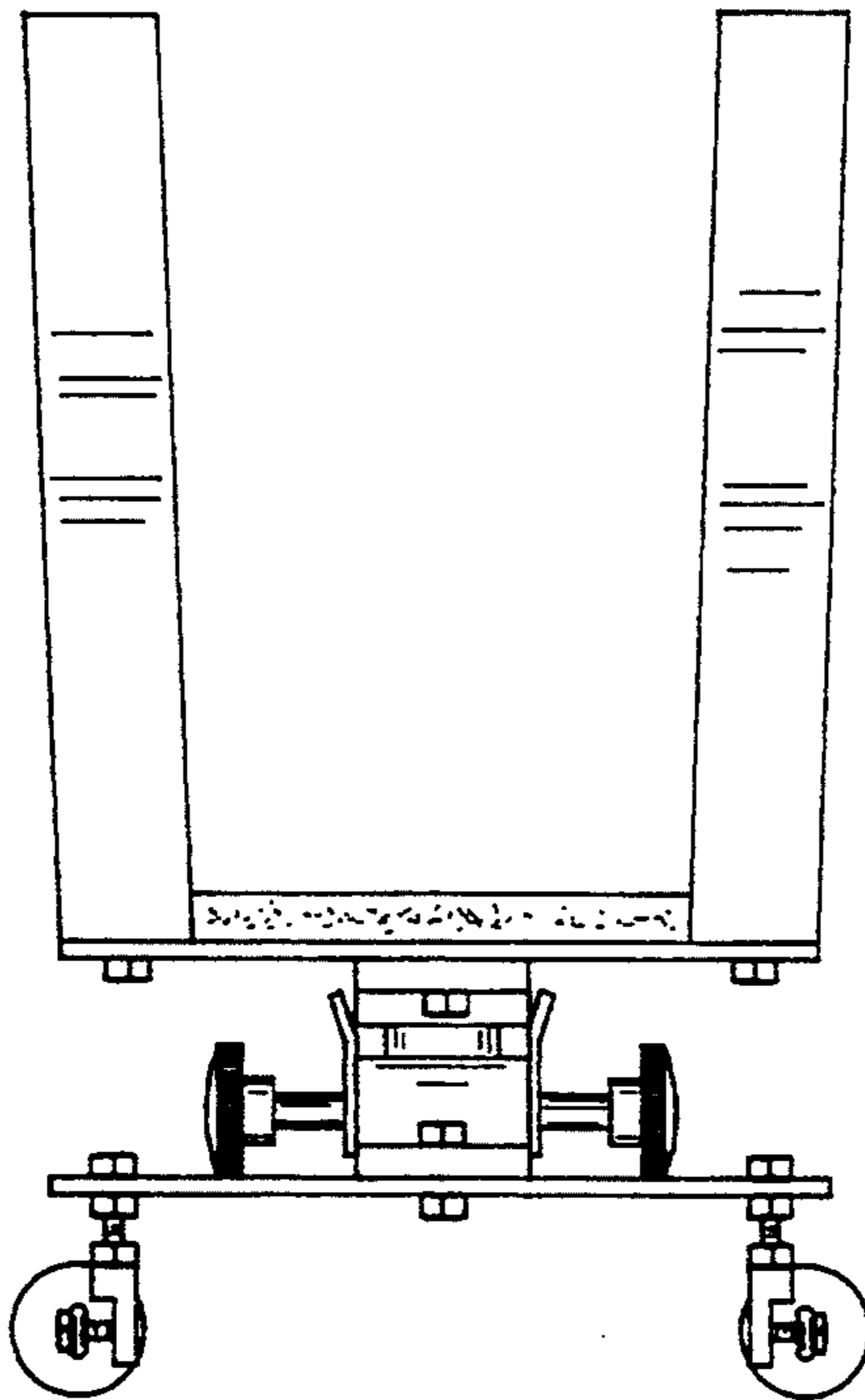


FIG. 2

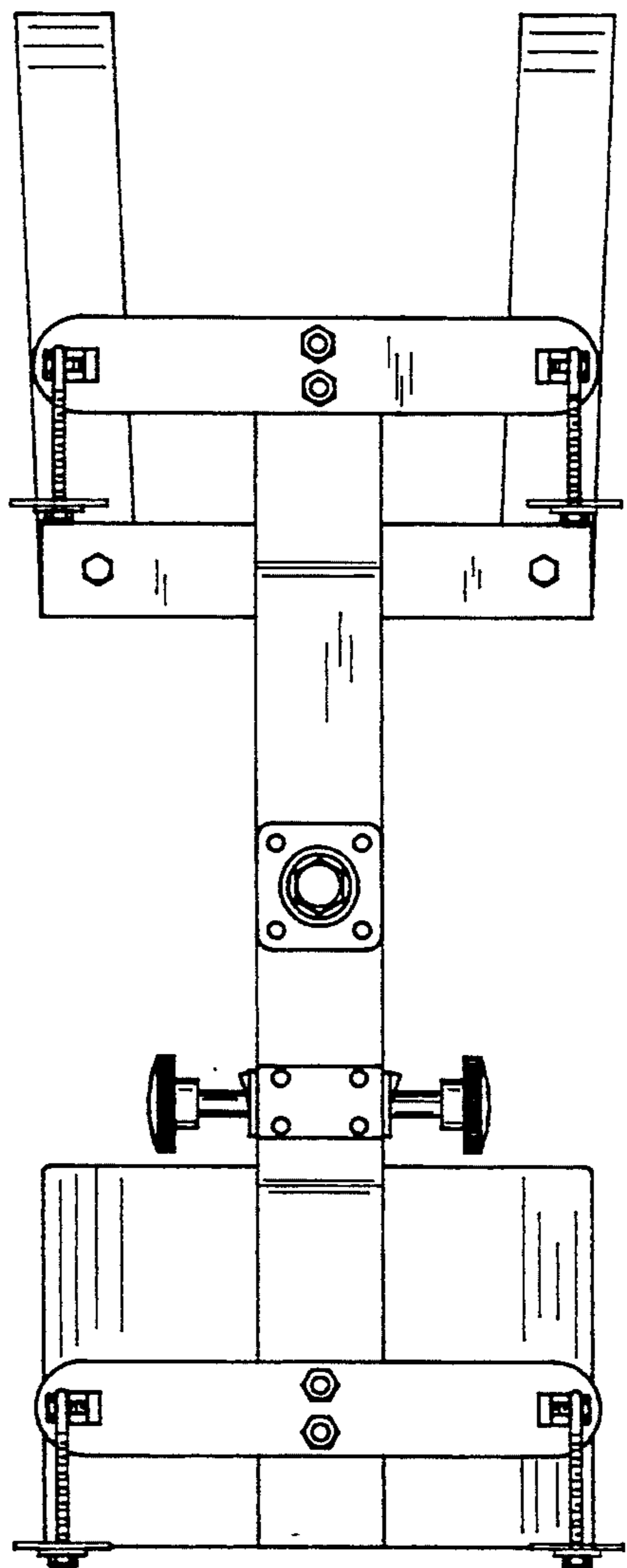


FIG. 3

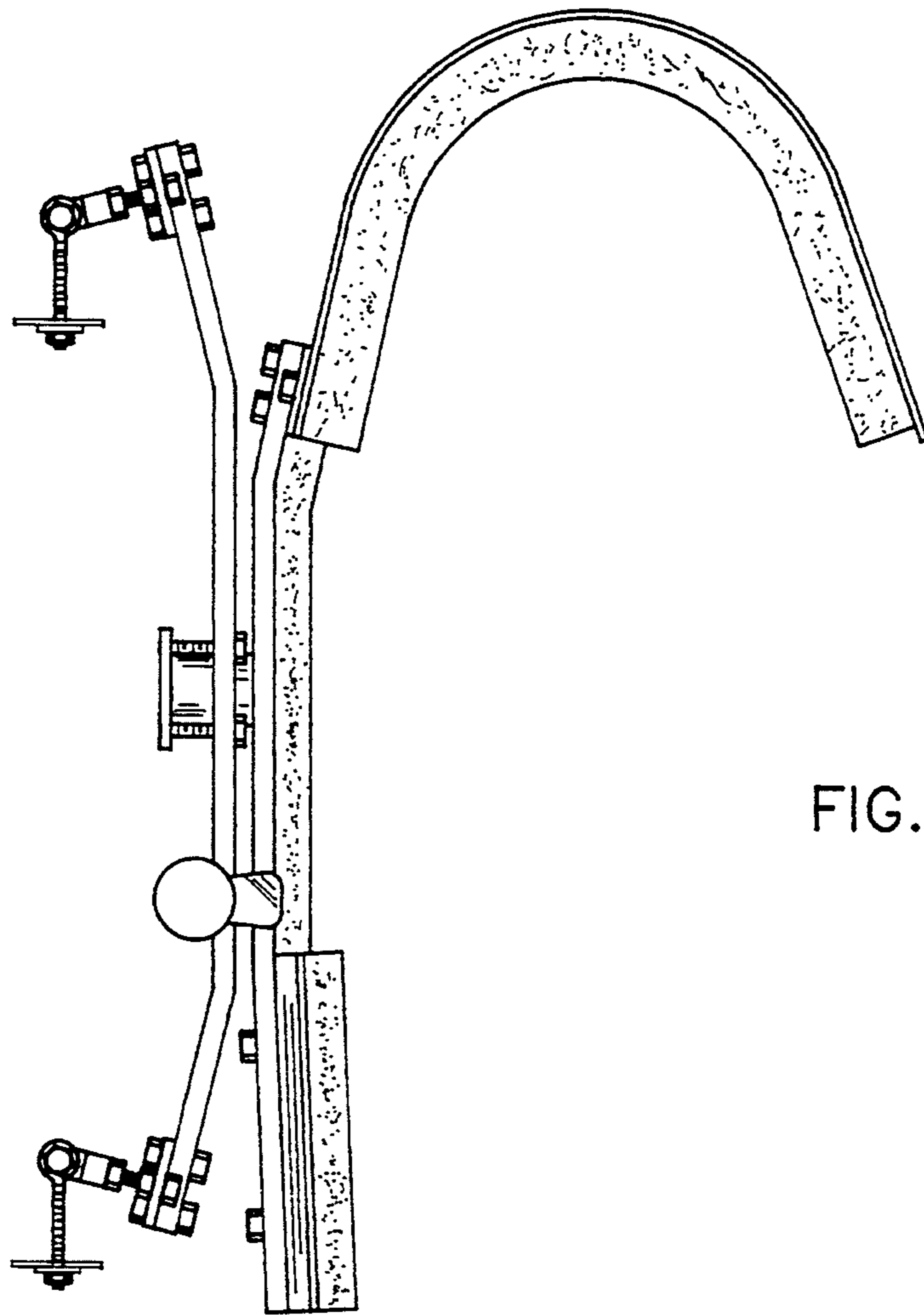


FIG. 4

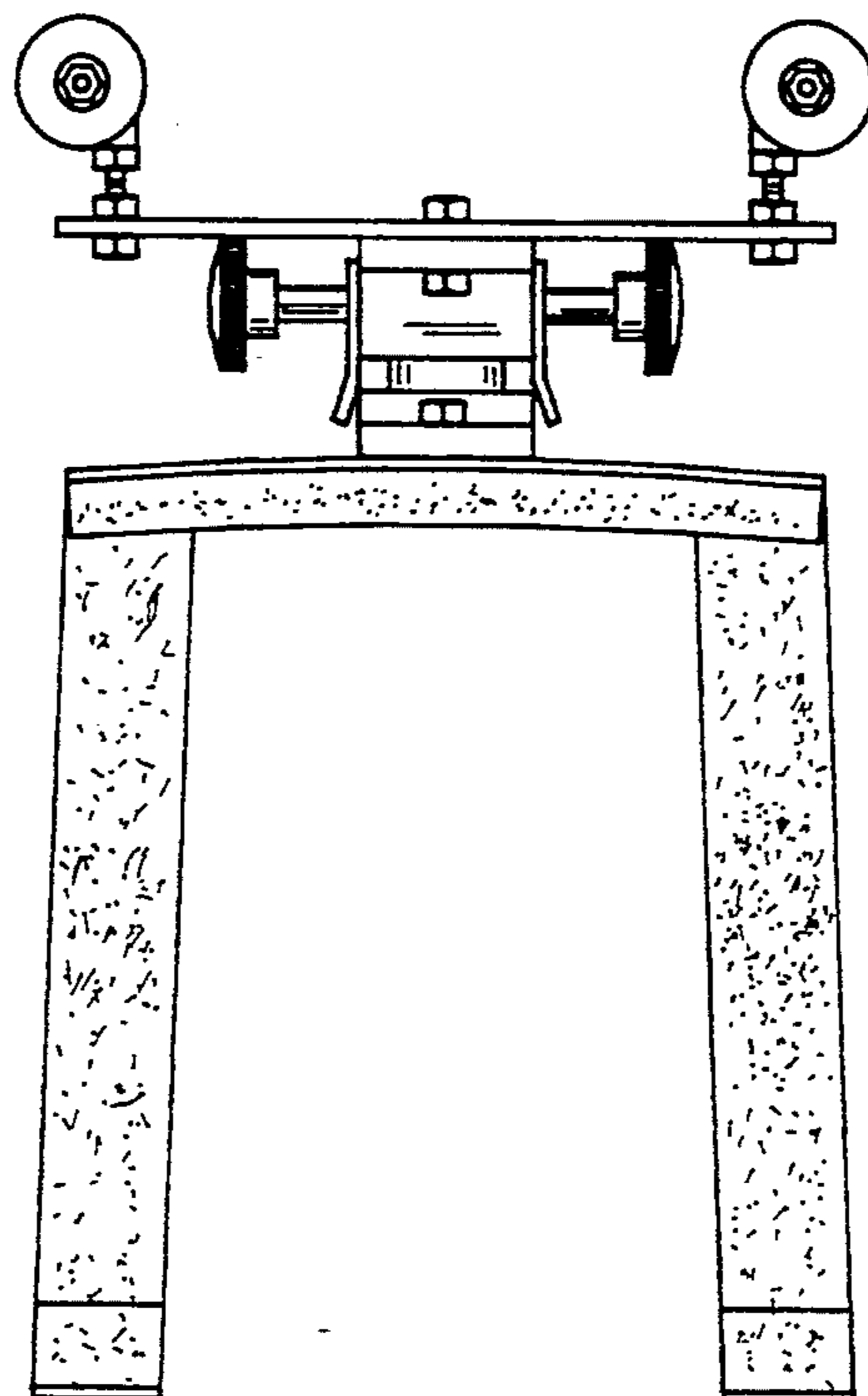


FIG. 5

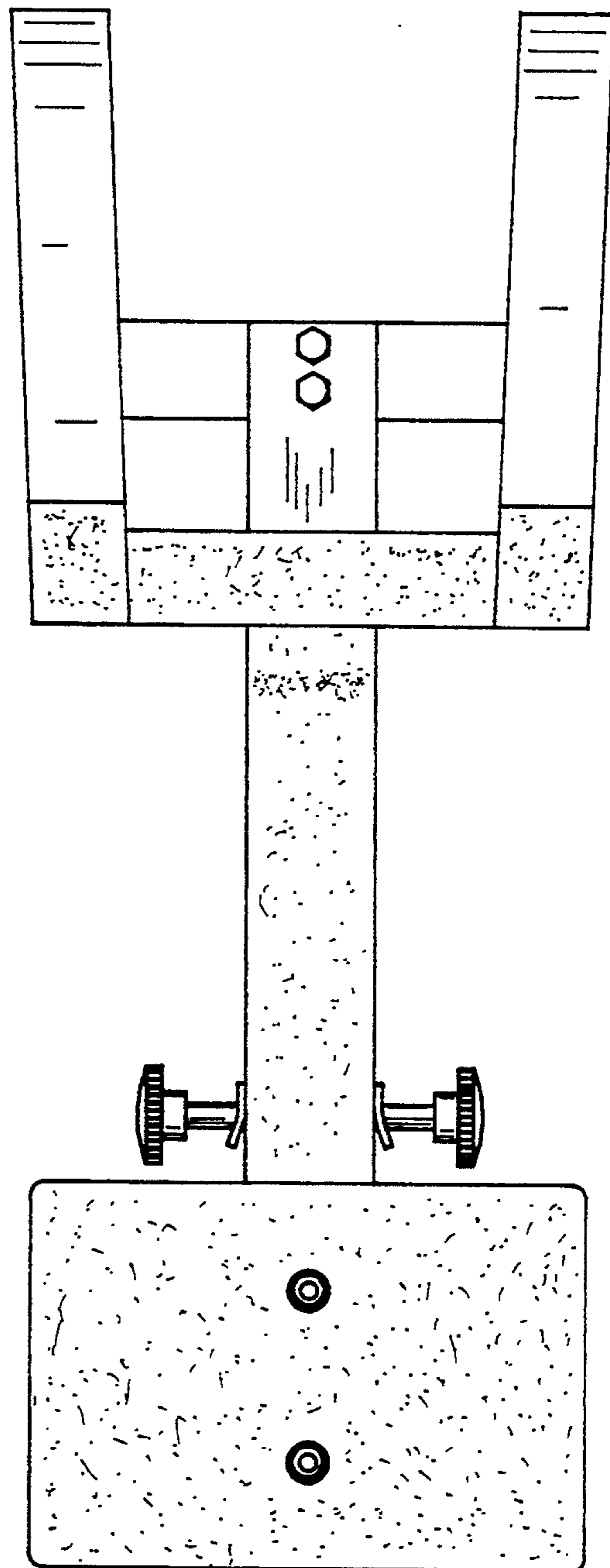


FIG. 6