



US00D354973S

United States Patent [19]

[11] Patent Number: **Des. 354,973**

Hisatune et al.

[45] Date of Patent: **** Jan. 31, 1995**

[54] **SURVEILLANCE VIDEO CAMERA**

[75] Inventors: **Toshiyuki Hisatune**, Yokohama;
Shigemitsu Kizawa; **Kouji Shindou**,
both of Tokyo, all of Japan

[73] Assignee: **Sony Corporation**, Tokyo, Japan

[**] Term: **14 Years**

[21] Appl. No.: **6,716**

[22] Filed: **Apr. 5, 1993**

[30] **Foreign Application Priority Data**

Oct. 7, 1992 [JP] Japan 4-29286

[52] U.S. Cl. **D16/203**; 348/143

[58] Field of Search D14/100; D16/200-204;
348/143, 373-376; 352/242; 354/64, 65, 76,
288, 293

[56] **References Cited**

U.S. PATENT DOCUMENTS

D. 217,153 4/1970 Adkins D16/203

D. 275,294	8/1984	Pagano	D16/203
D. 282,068	1/1986	Claggett	D16/203
D. 337,315	7/1993	Riza	D14/100
D. 340,253	10/1993	Fedorczak	D16/203
4,080,629	3/1978	Hammond	348/143
4,160,999	7/1979	Claggett	348/143

Primary Examiner—Bernard Ansher
Assistant Examiner—Adir Aronovich
Attorney, Agent, or Firm—Jay H. Maioli

[57] **CLAIM**

The ornamental design for a surveillance video camera, as shown and described.

DESCRIPTION

FIG. 1 is a top, front and right-side perspective view of a surveillance video camera, showing our new design; FIG. 2 is a front elevational view thereof; FIG. 3 is a rear elevational view thereof; FIG. 4 is a right-side elevational view thereof, the left-side being a mirror image thereof; FIG. 5 is a top plan view thereof; and, FIG. 6 is a bottom plan view thereof.

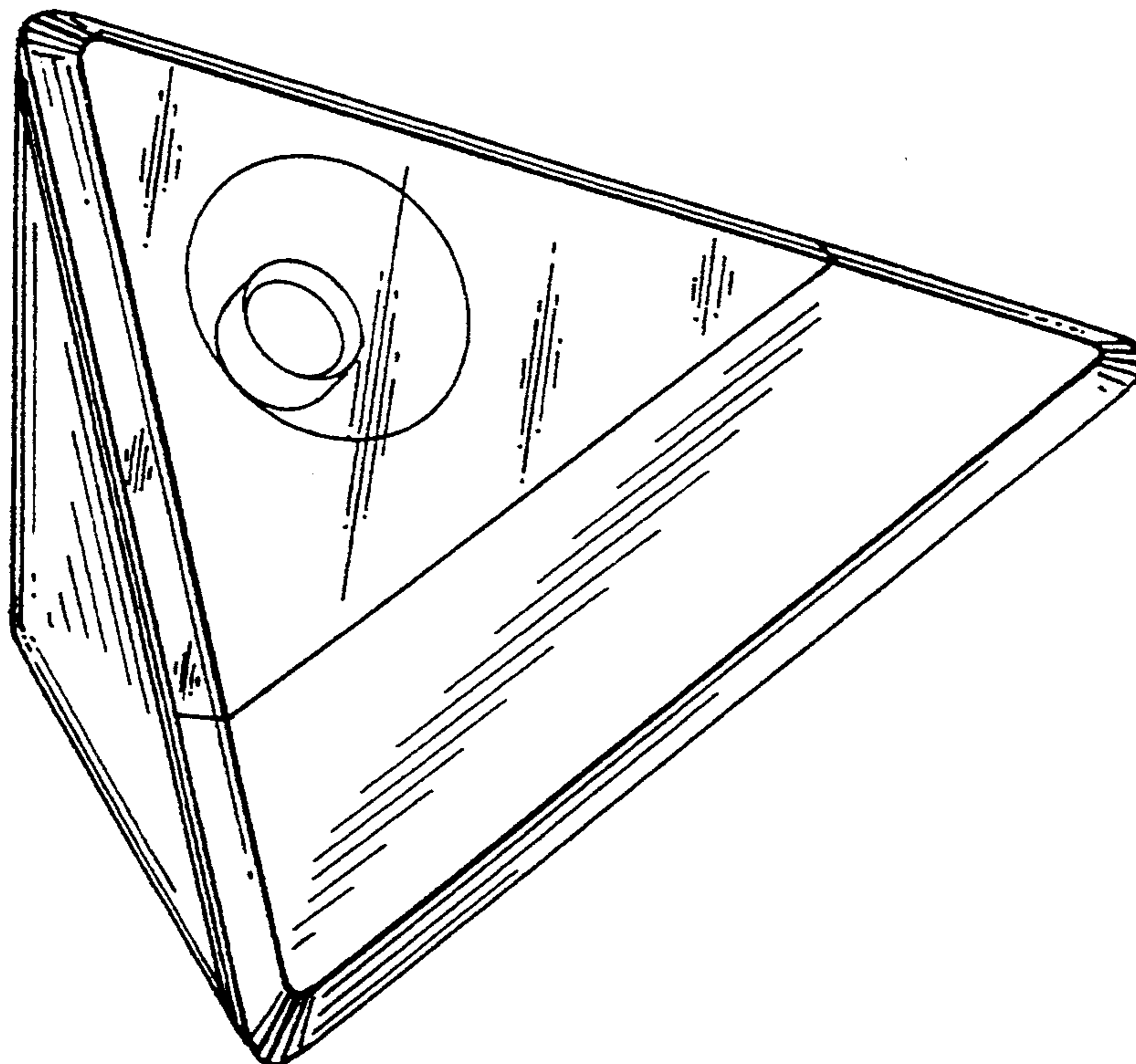


FIG. 1

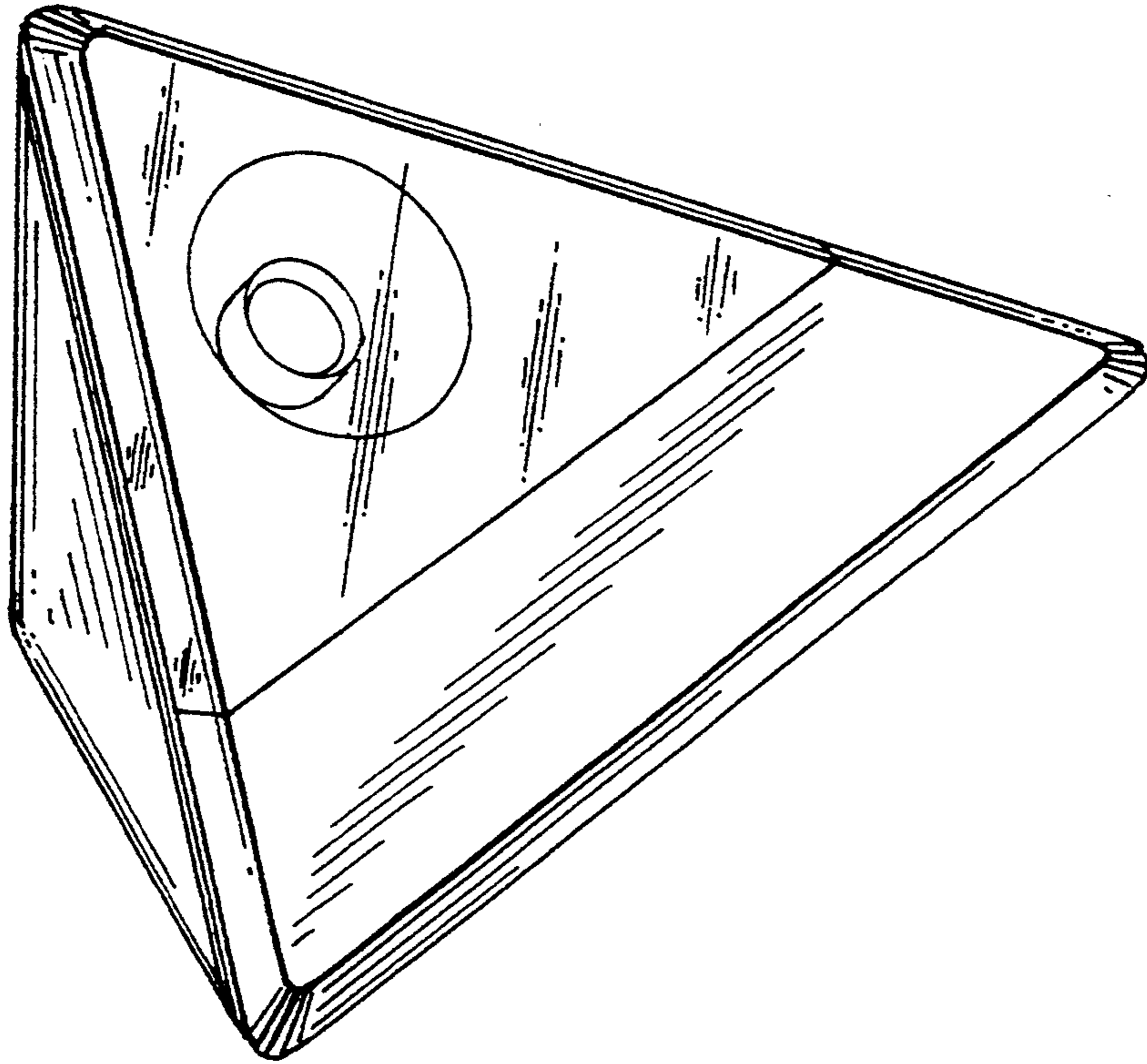
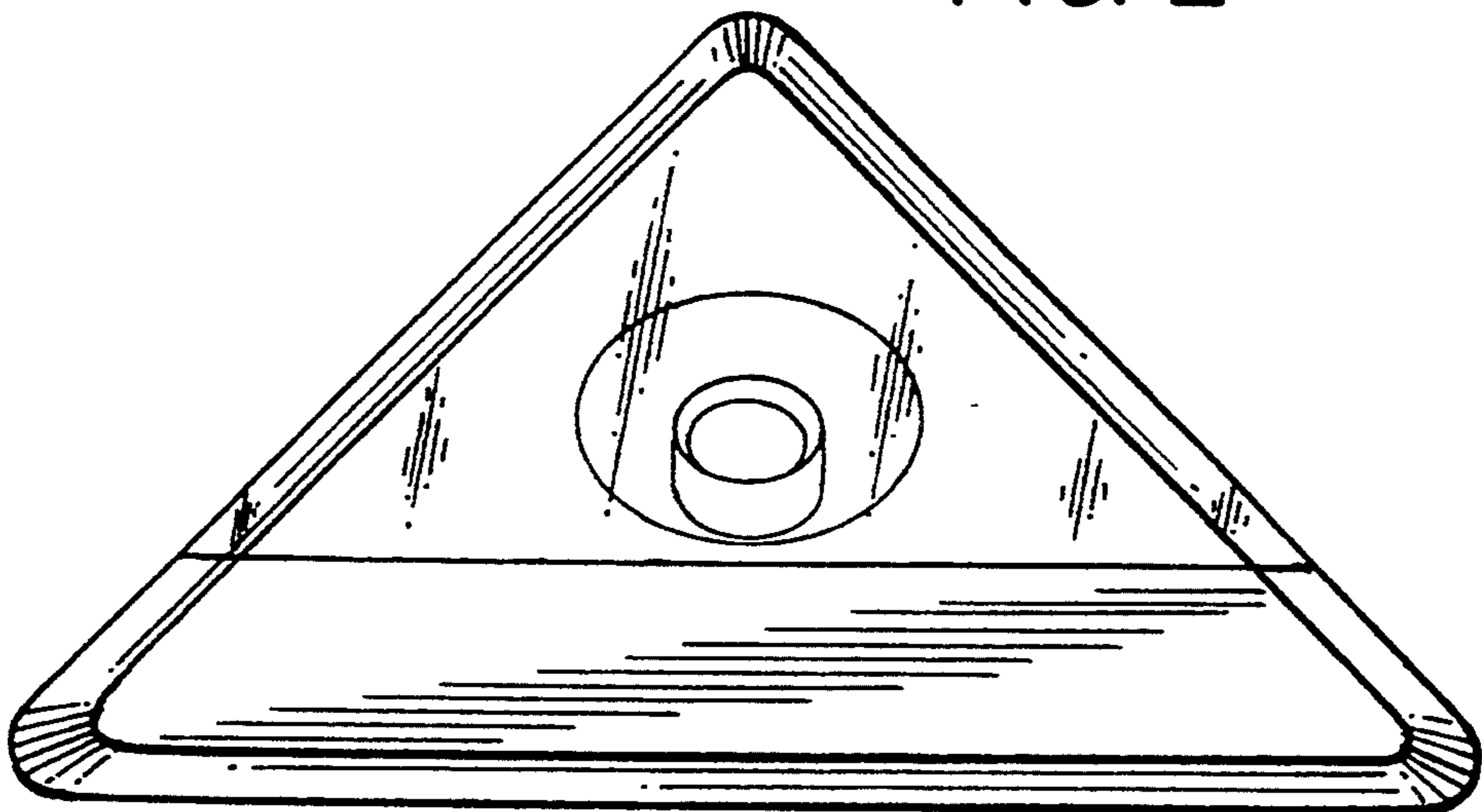


FIG. 2



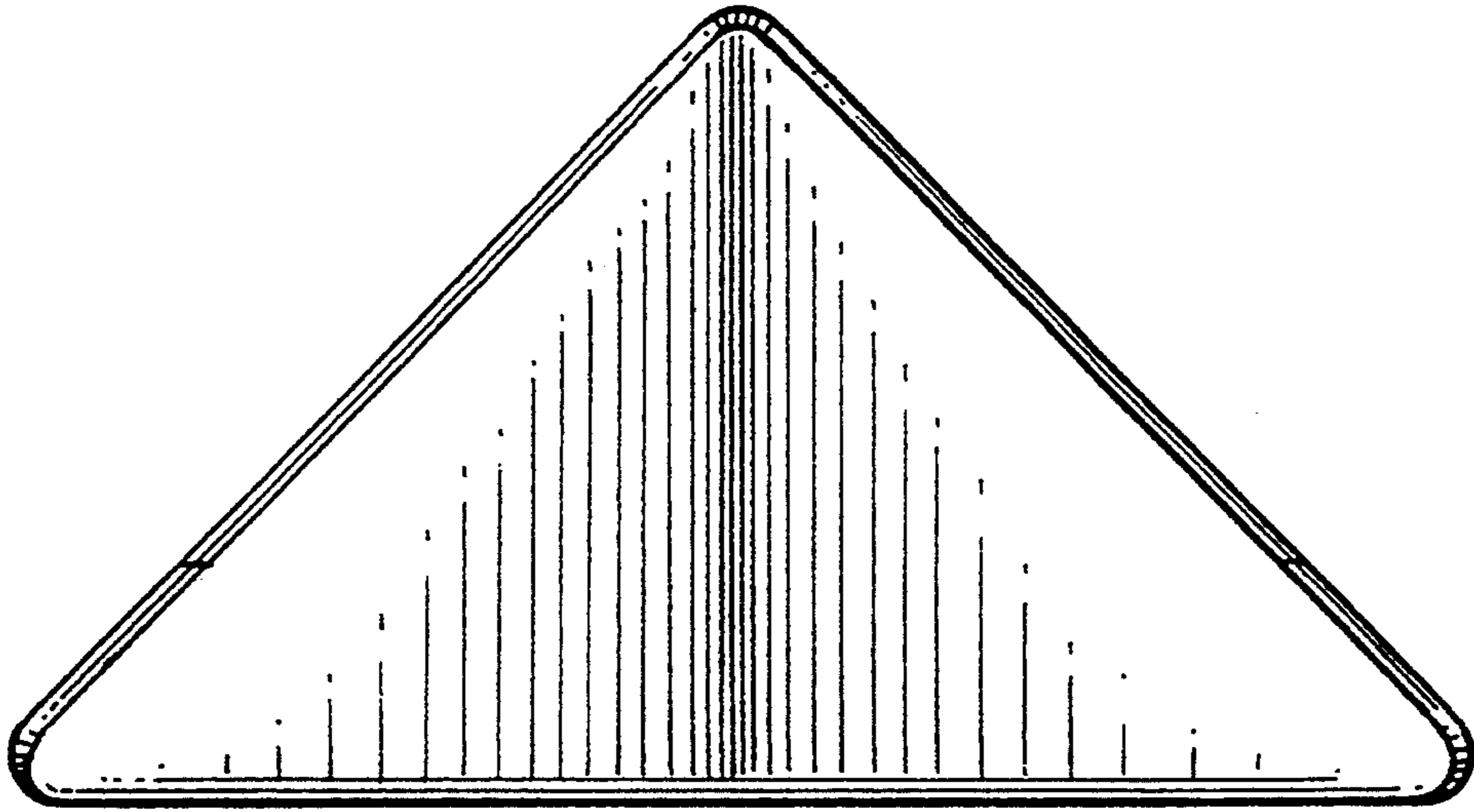


FIG. 3

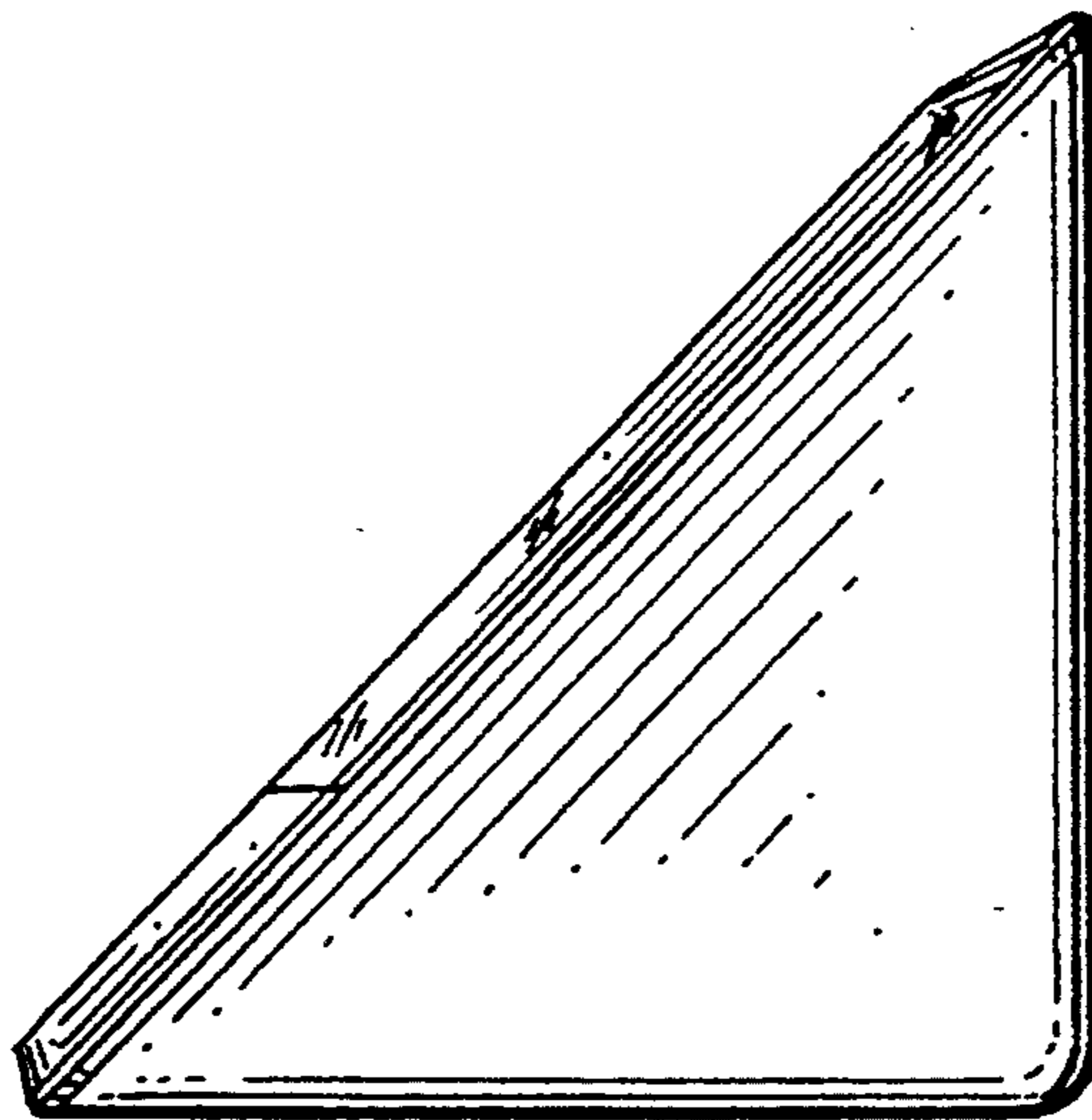


FIG. 4

FIG. 5

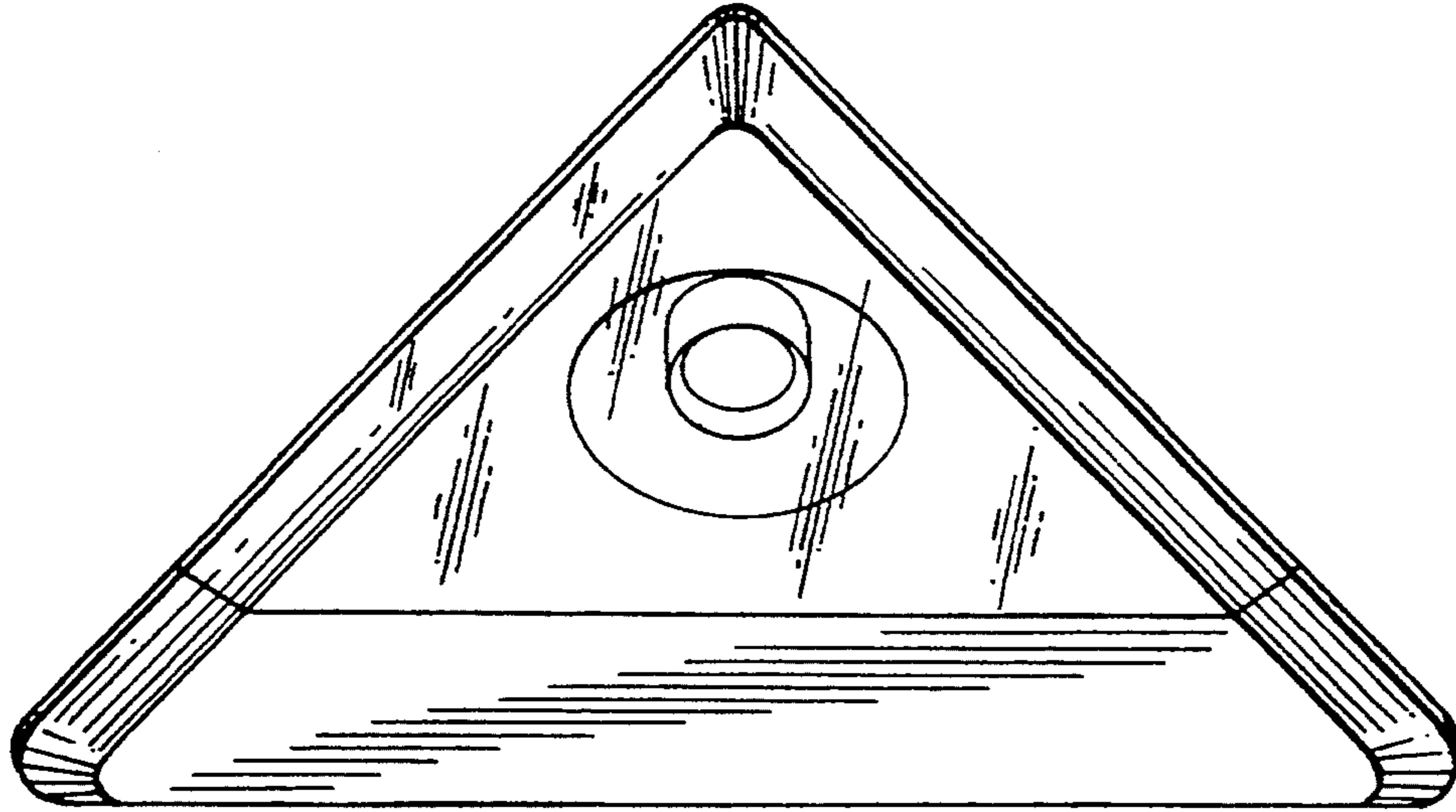


FIG. 6

