



US00D354966S

# United States Patent [19] Lim

[11] Patent Number: **Des. 354,966**

[45] Date of Patent: **\*\* Jan. 31, 1995**

[54] LAMINATING MACHINE

4,561,925 12/1985 Skerjanec et al. .... 156/583.9 X

[75] Inventor: **Ta K. Lim**, Franklin Lakes, N.J.

*Primary Examiner*—Nelson C. Holtje

*Assistant Examiner*—Antoine D. Davis

[73] Assignee: **Royal Sovereign Corp.**, Englewood, N.J.

*Attorney, Agent, or Firm*—McAulay Fisher Nissen  
Goldberg & Kiel

[\*\*] Term: **14 Years**

[57] **CLAIM**

[21] Appl. No.: **10,204**

The ornamental design for a laminating machine, as shown and described.

[22] Filed: **Jun. 29, 1993**

[52] U.S. Cl. .... **D15/145**

**DESCRIPTION**

[58] Field of Search ..... D15/145, 146; 53/432,  
53/434, 510, 512; 156/499, 583.8, 583.9

FIG. 1 is a perspective view of a laminating machine showing my new design;

FIG. 2 is a top plan view thereof;

FIG. 3 is a front elevational view thereof;

FIG. 4 is a right side elevational view thereof;

FIG. 5 is a left side elevational view thereof;

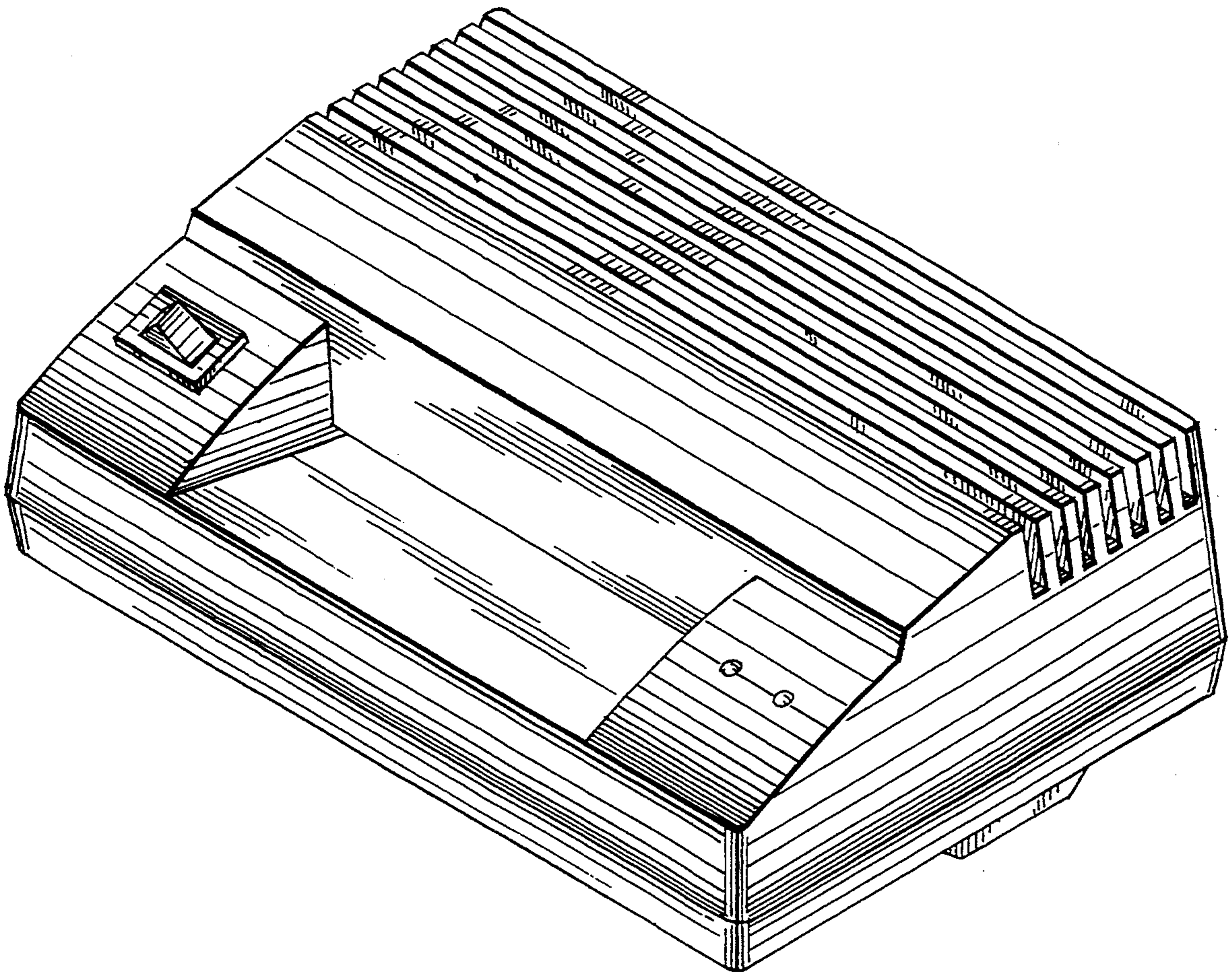
FIG. 6 is a rear elevational view thereof; and,

FIG. 7 is a bottom plan view thereof.

[56] **References Cited**

**U.S. PATENT DOCUMENTS**

- D. 289,054 3/1987 Coleby ..... D15/146
- D. 306,303 2/1990 Takeda ..... D15/146 X
- D. 342,271 12/1993 King ..... D15/146



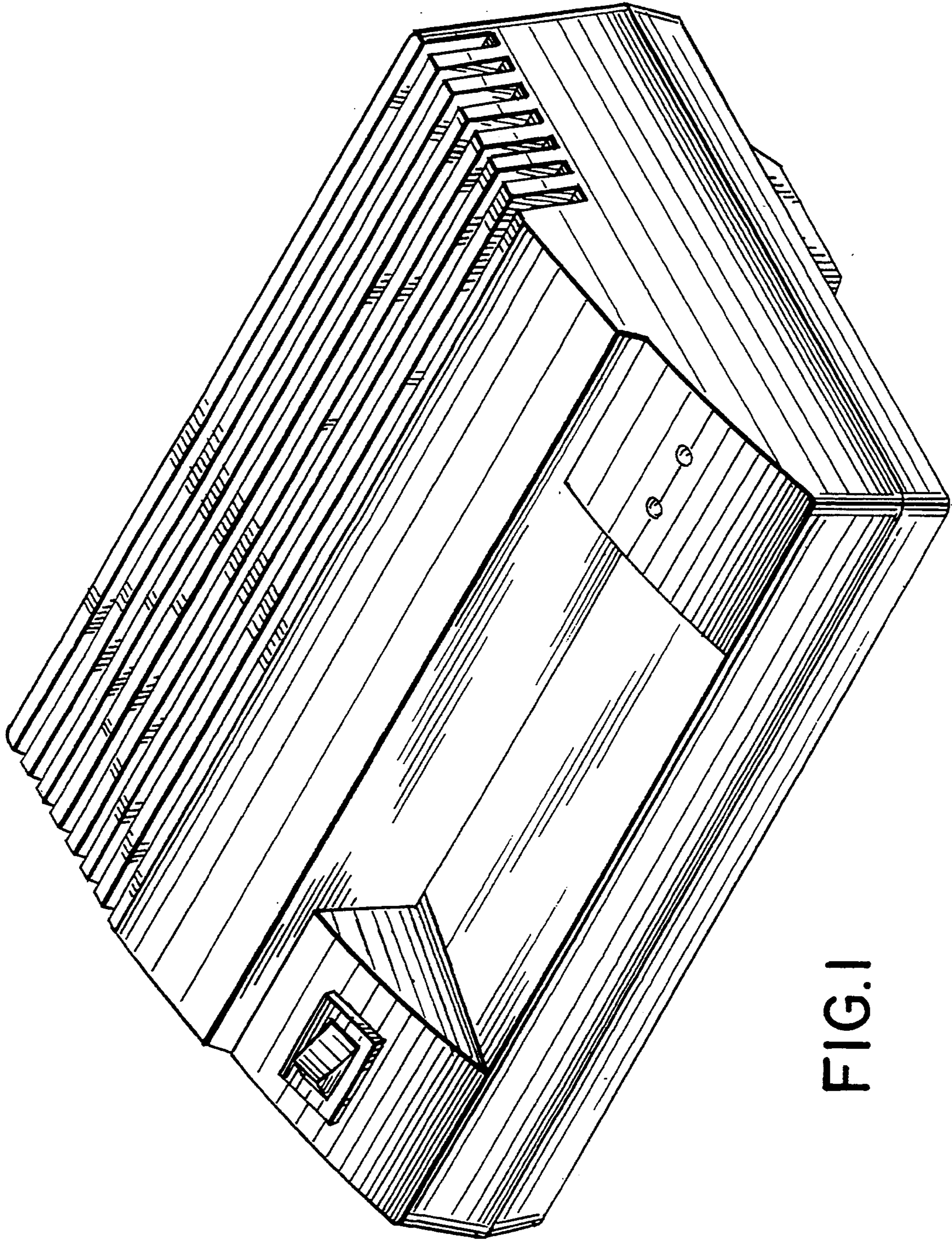


FIG. 1

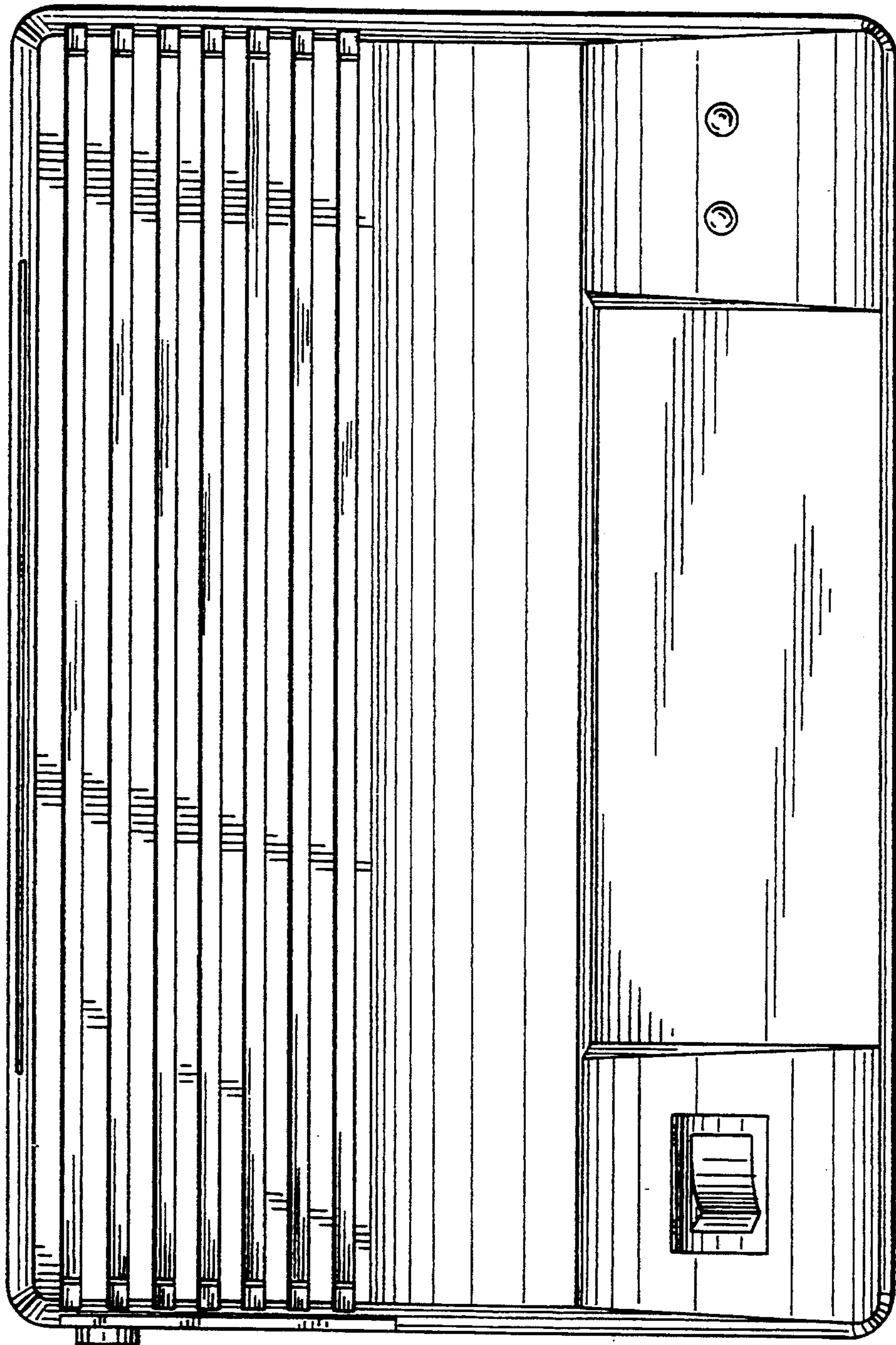


FIG. 2

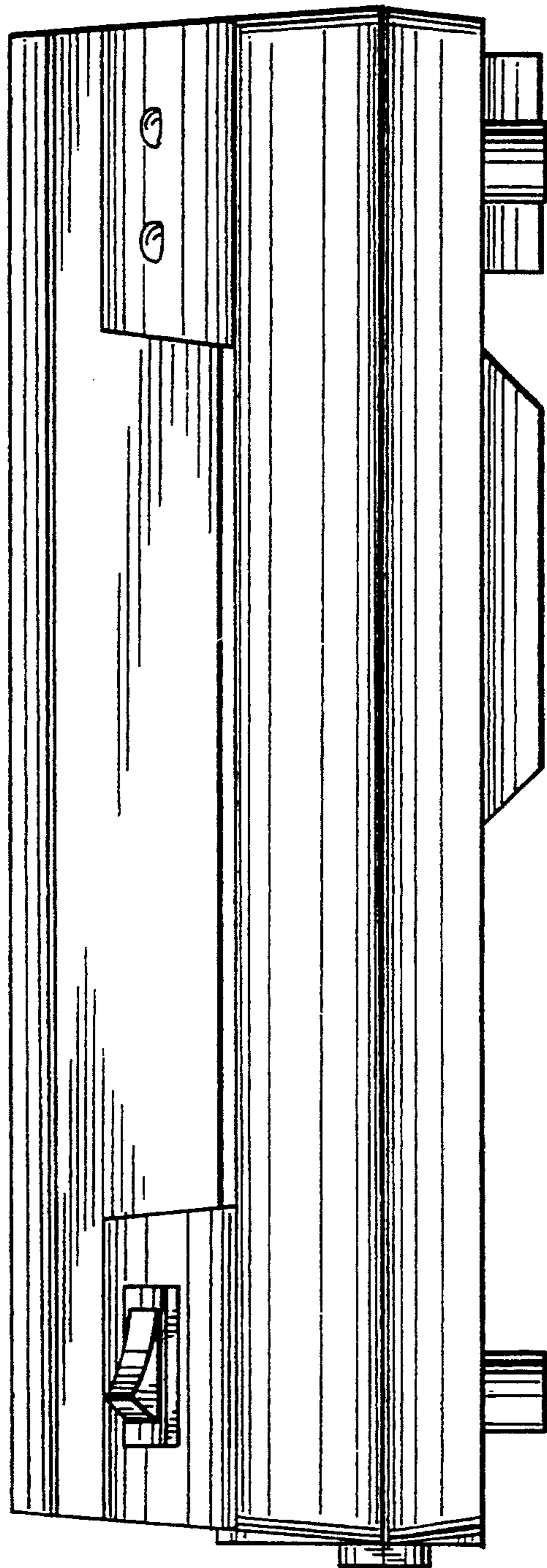


FIG. 3

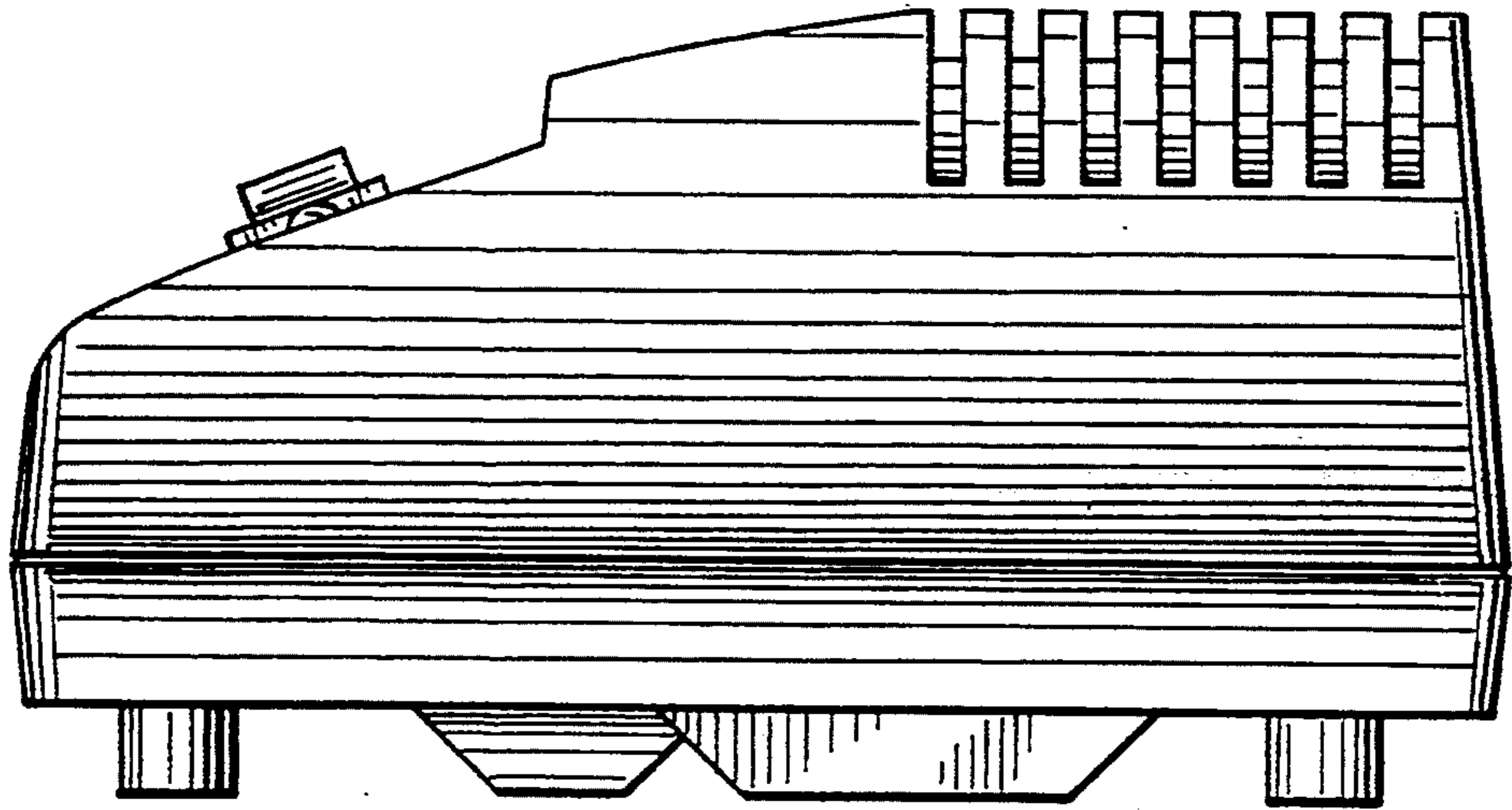


FIG. 4

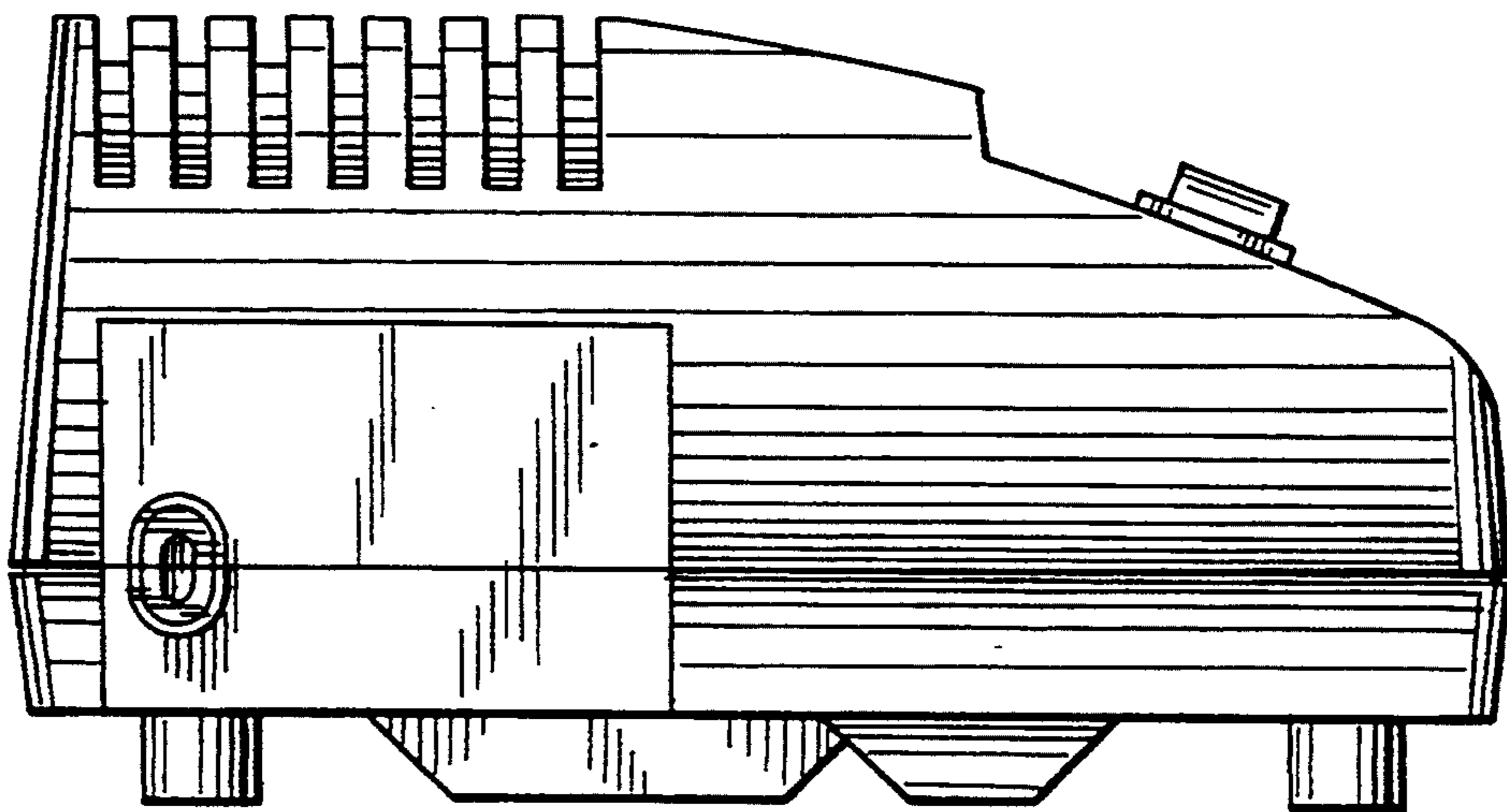


FIG. 5

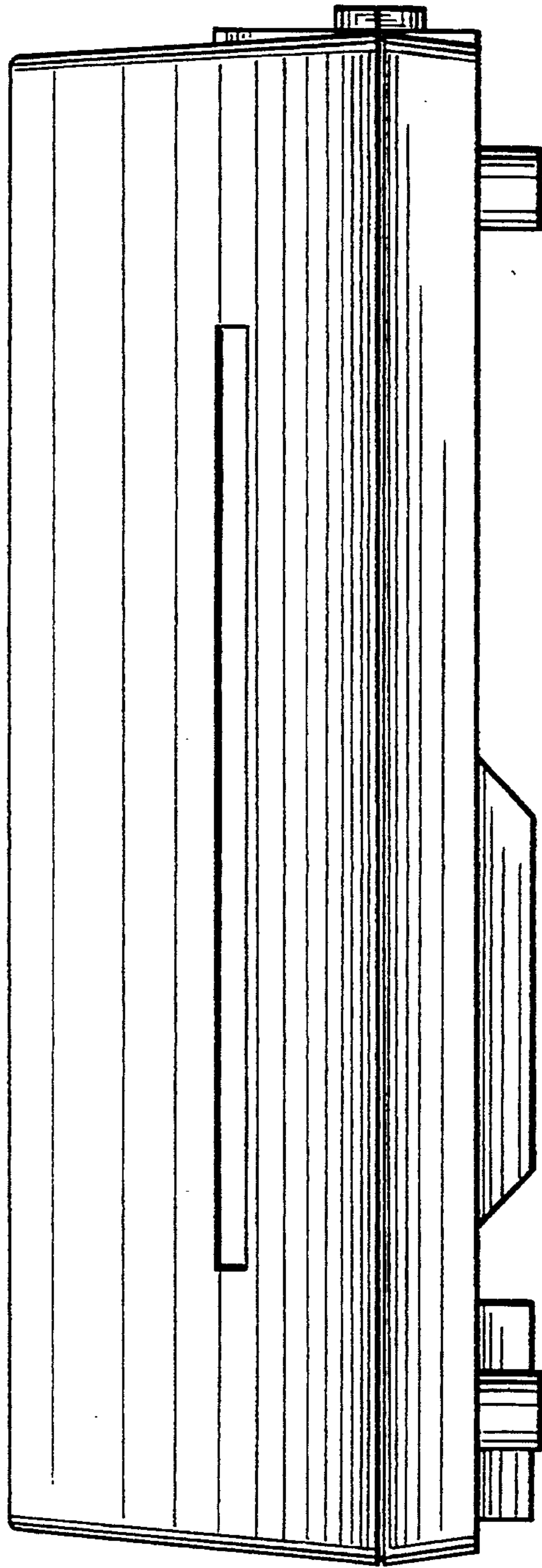


FIG. 6

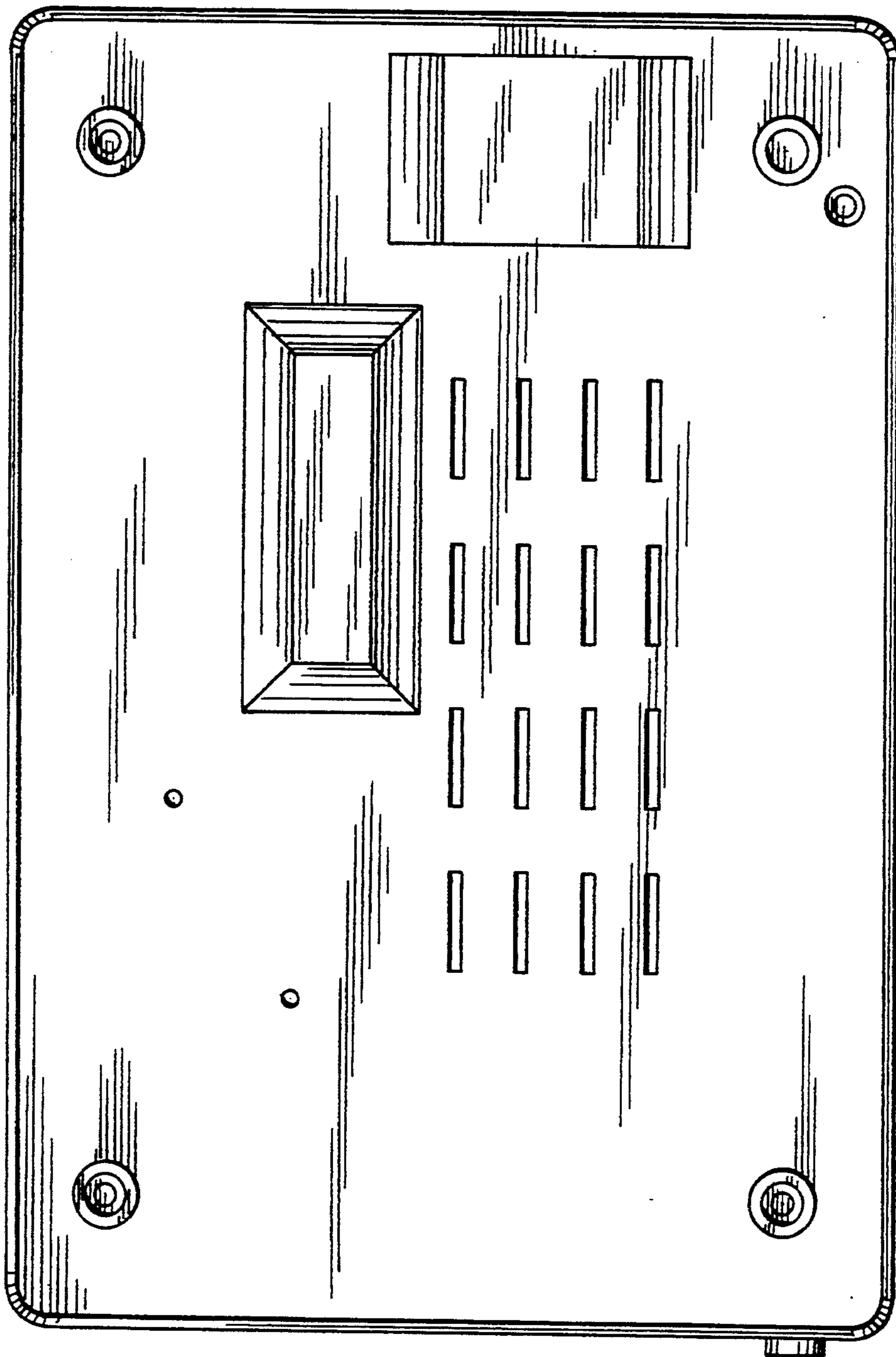


FIG. 7