



US00D354964S

United States Patent [19]

Reichle

[11] Patent Number: **Des. 354,964**

[45] Date of Patent: **** Jan. 31, 1995**

[54] **LAWN MOWER SHIELD**

[76] Inventor: **Andrew L. Reichle**, 50 Verdin Ct., Apt. D, Gahanna, Ohio 43230

[**] Term: **14 Years**

[21] Appl. No.: **15,986**

[22] Filed: **Dec. 6, 1993**

[52] U.S. Cl. **D15/17**

[58] Field of Search **D15/14-17;**
56/13.4, 16.6, 16.7, 17.4, 17.5, 202, 226, 320.1,
320.2

3,432,183 3/1969 Groll 56/17.4 X
3,524,307 8/1970 Dahl 56/17.4
3,570,225 3/1971 Miskiewicz 56/17.4

OTHER PUBLICATIONS

Saftor Brushcutter Brochure, Rear Guard, top right.

Primary Examiner—Bernard Ansher

Assistant Examiner—Sandra Morris

Attorney, Agent, or Firm—Thomas S. Baker, Jr.

[57] CLAIM

The ornamental design for a lawn mower shield, as shown and described.

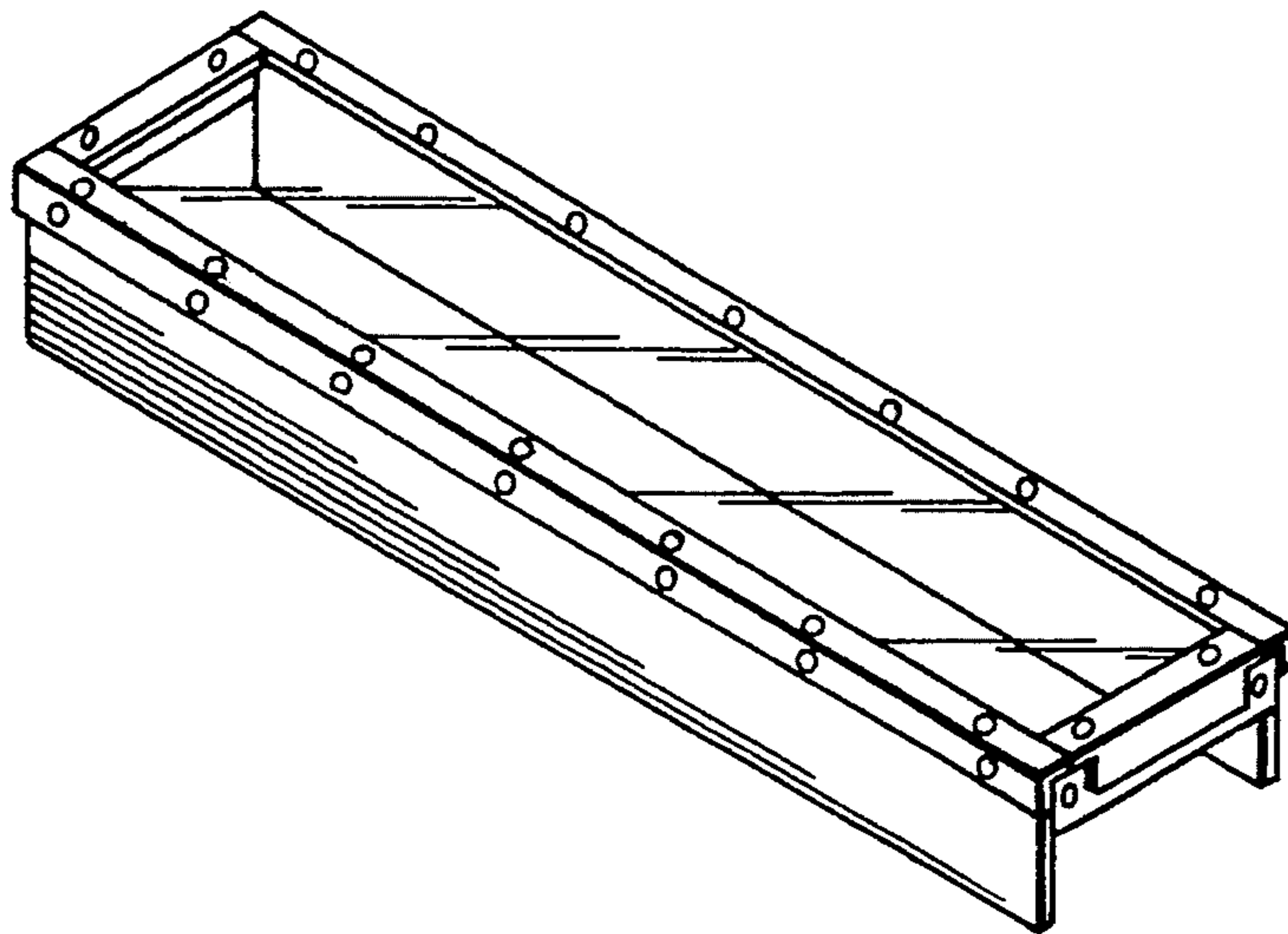
[56] References Cited

U.S. PATENT DOCUMENTS

D. 230,761 3/1974 Cope D15/17
2,963,842 12/1960 Estes 56/320.1
3,106,812 10/1963 McDonagh 56/320.1
3,378,995 4/1968 Welsh 56/255

DESCRIPTION

FIG. 1 is a perspective view of the lawn mower shield;
FIG. 2 is a top view of the lawn mower shield;
FIG. 3 is a side view thereof;
FIG. 4 is a bottom view of the lawn mower shield; and,
FIG. 5 is a side view thereof.



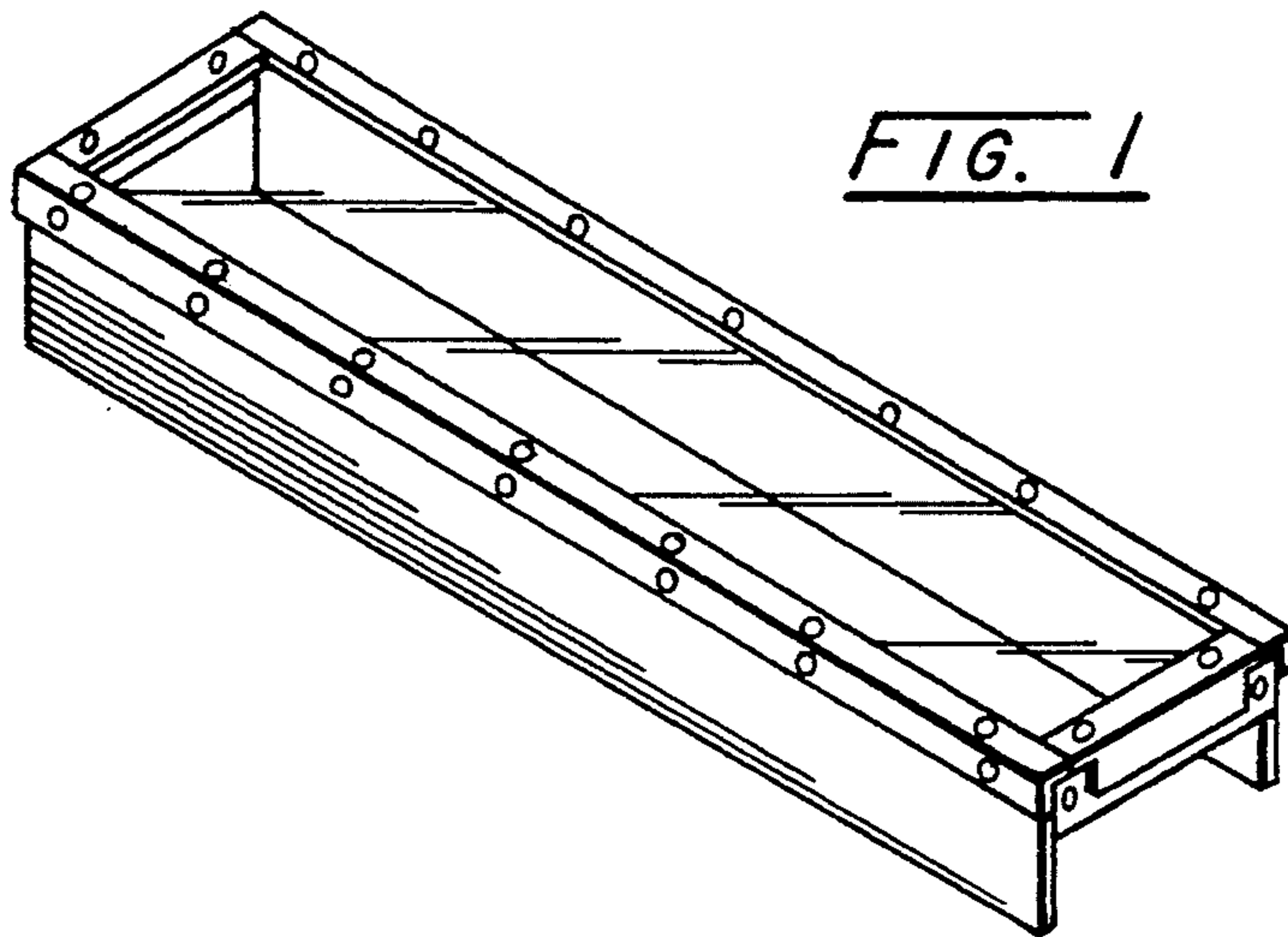


FIG. 2

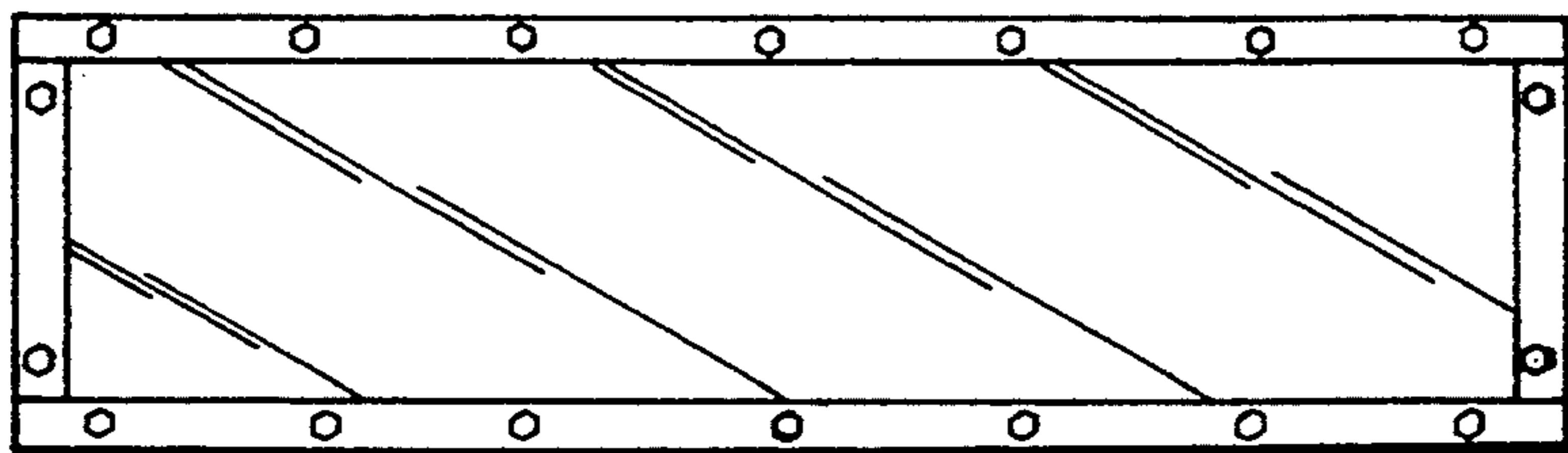


FIG. 3

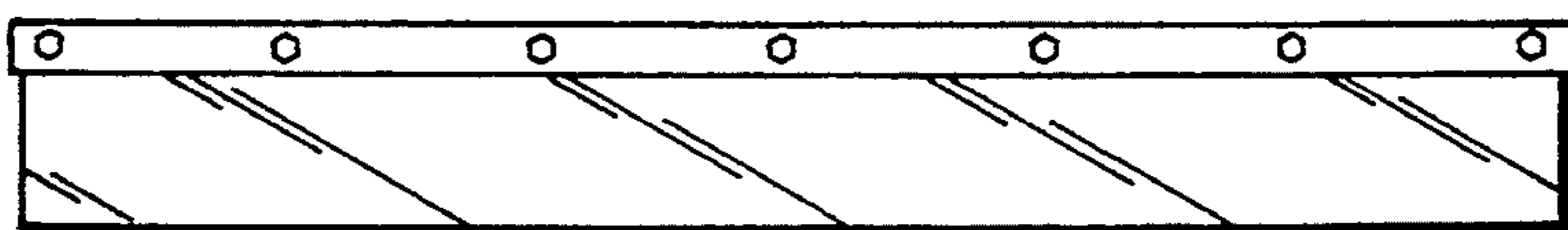


FIG. 4

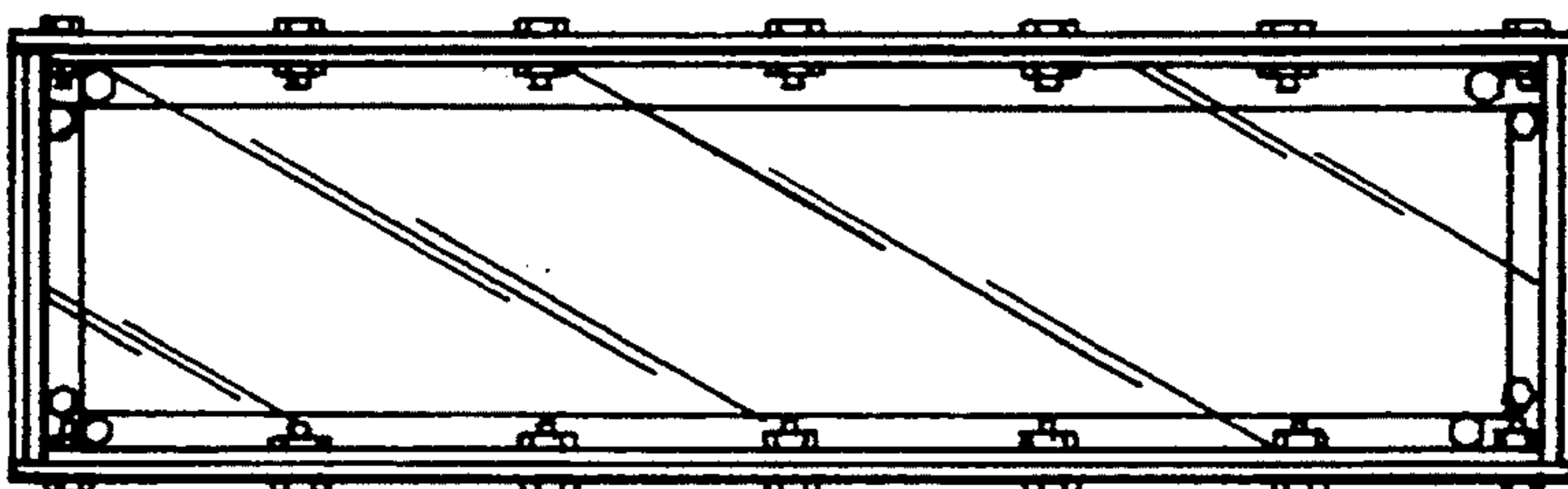


FIG. 5

