



US00D354963S

United States Patent [19]

[11] Patent Number: **Des. 354,963**

Herrick et al.

[45] Date of Patent: **** Jan. 31, 1995**

[54] **ROCKER ARM ASSEMBLY**

3,410,366 11/1968 Winter 123/90.39 X
4,498,432 2/1985 Hara et al. 123/90.39 X

[76] Inventors: **Richard Herrick**, 15181 N.W. 33rd Pl., Miami, Fla. 33054; **Richard Carper**, 760 N.E. 117 St., Miami, Fla. 33161

Primary Examiner—Ralf T. Seifert
Attorney, Agent, or Firm—Oltman and Flynn

[**] Term: **14 Years**

[57] **CLAIM**

[21] Appl. No.: **9,162**

The ornamental design for a rocker arm assembly, as shown.

[22] Filed: **Jun. 7, 1993**

DESCRIPTION

[52] U.S. Cl. **D15/5**

FIG. 1 is a front elevational view of a rocker arm assembly showing my new design;

[58] Field of Search **D15/1-5;**

123/90.39, 90.4, 90.48

FIG. 2 is a left side elevational view thereof;

FIG. 3 is a right side elevational view thereof;

FIG. 4 is a rear elevational view thereof;

FIG. 5 is a top plan view thereof;

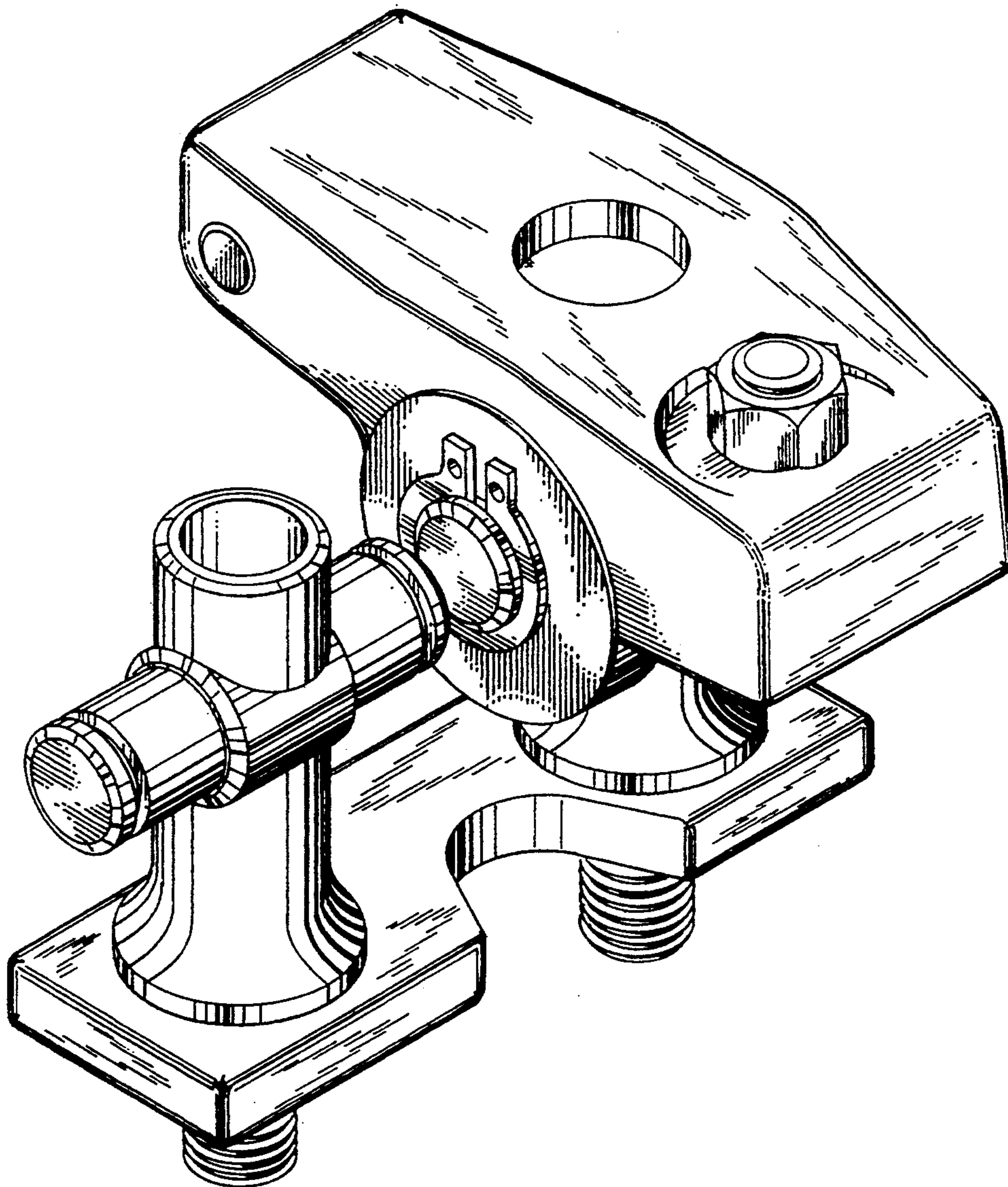
FIG. 6 is a bottom plan view thereof; and,

FIG. 7 is a top rear perspective view thereof.

[56] **References Cited**

U.S. PATENT DOCUMENTS

992,089 5/1911 Watt 123/90.39



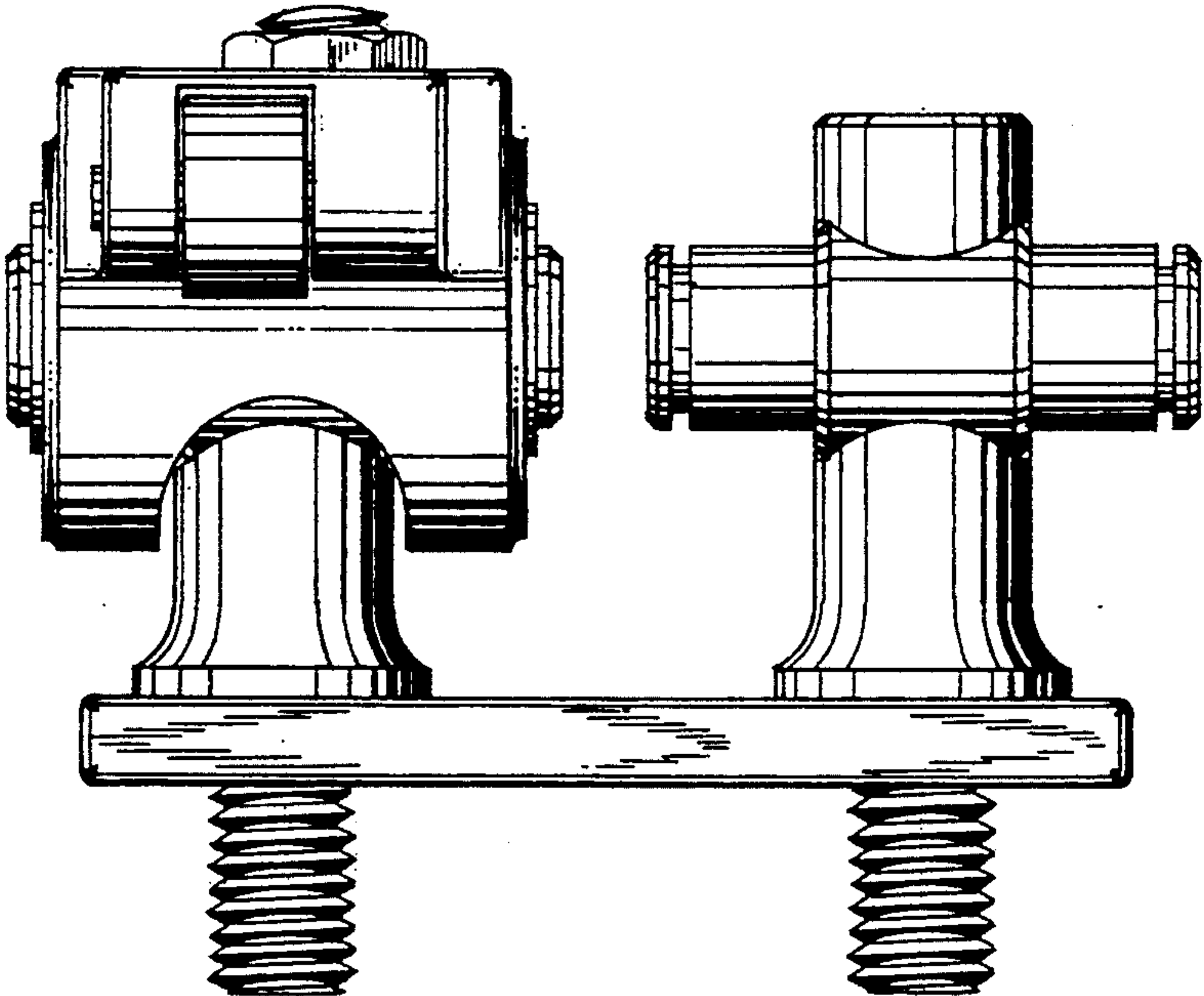


FIG. 1

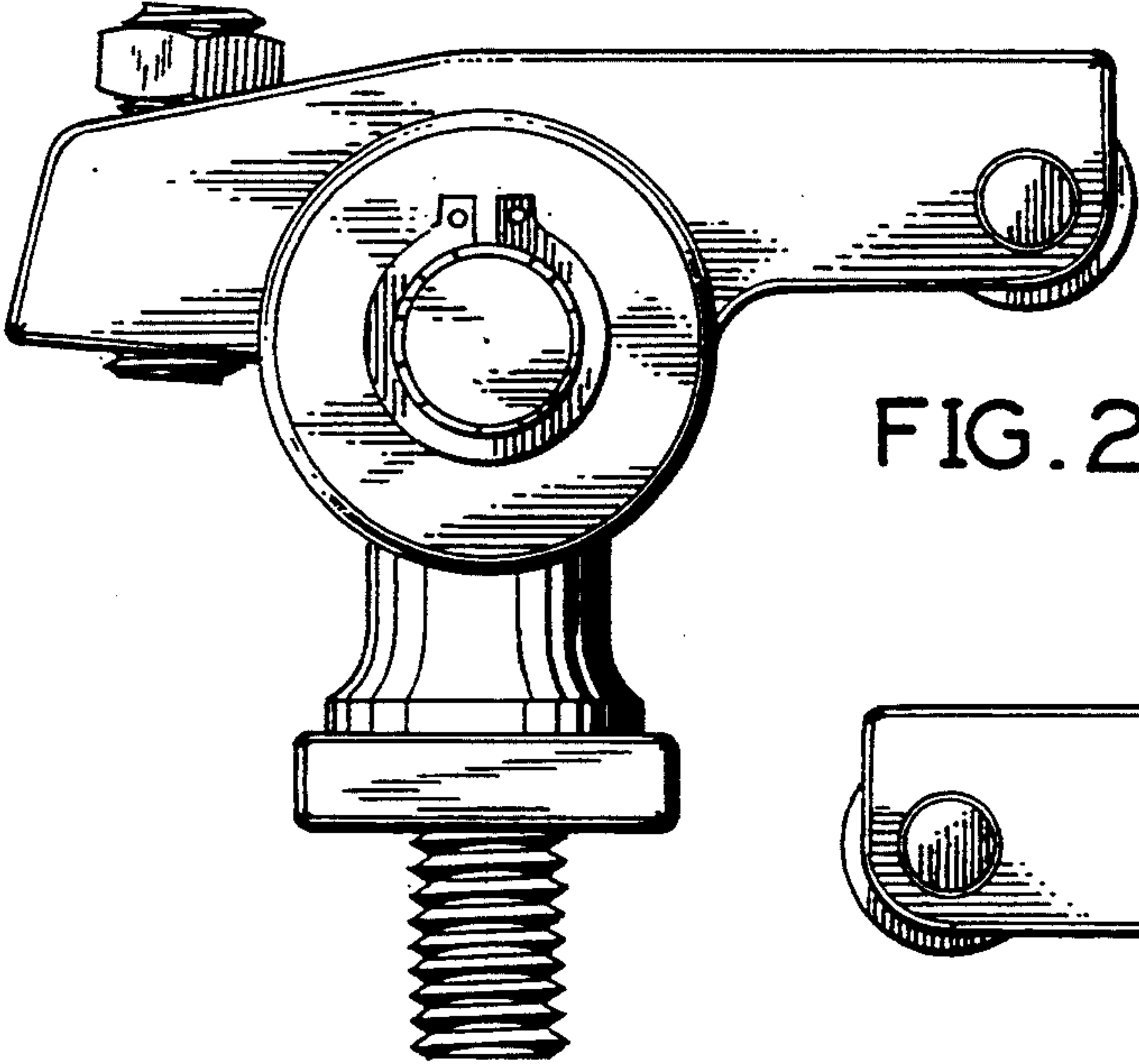


FIG. 2

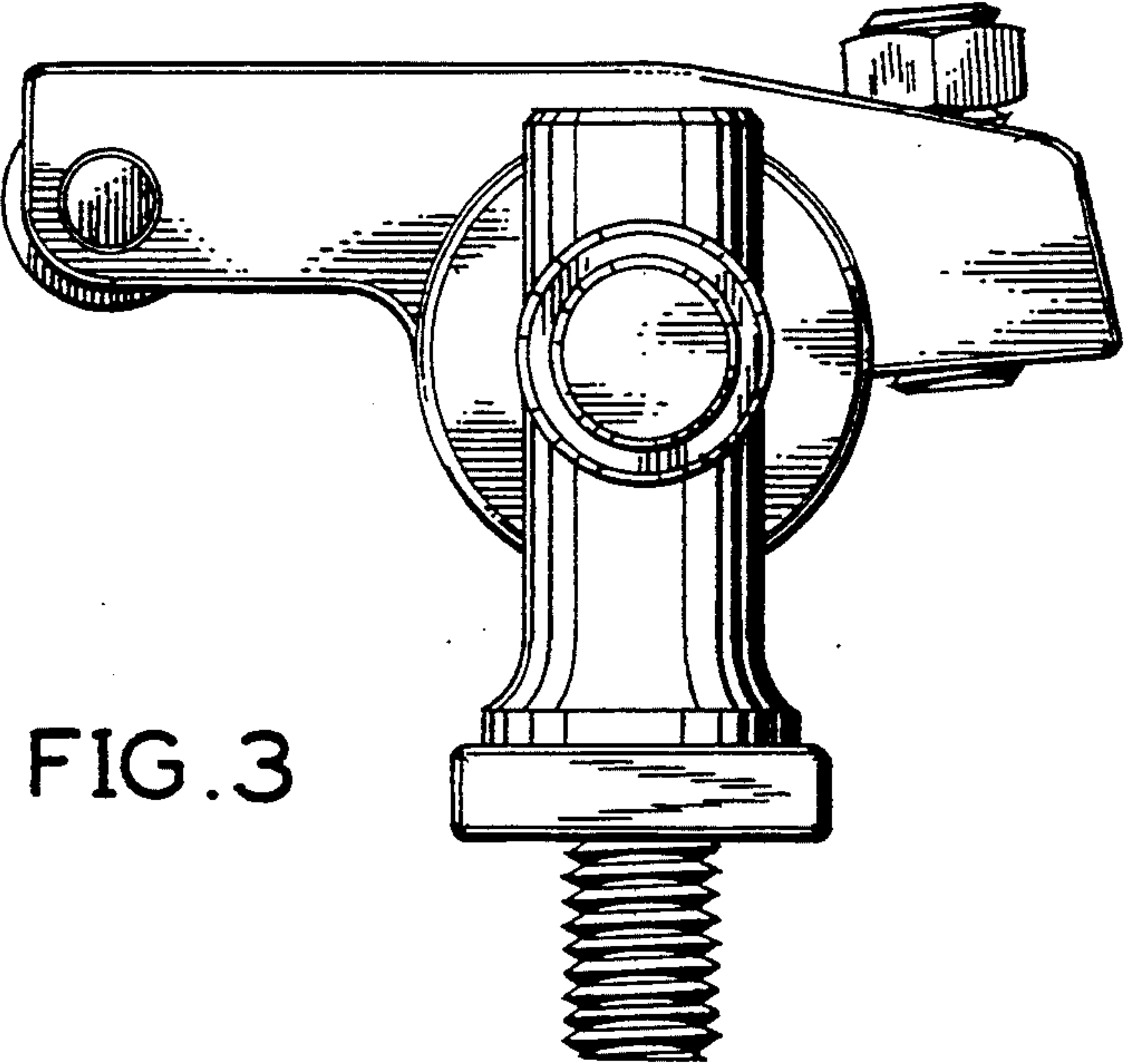


FIG. 3

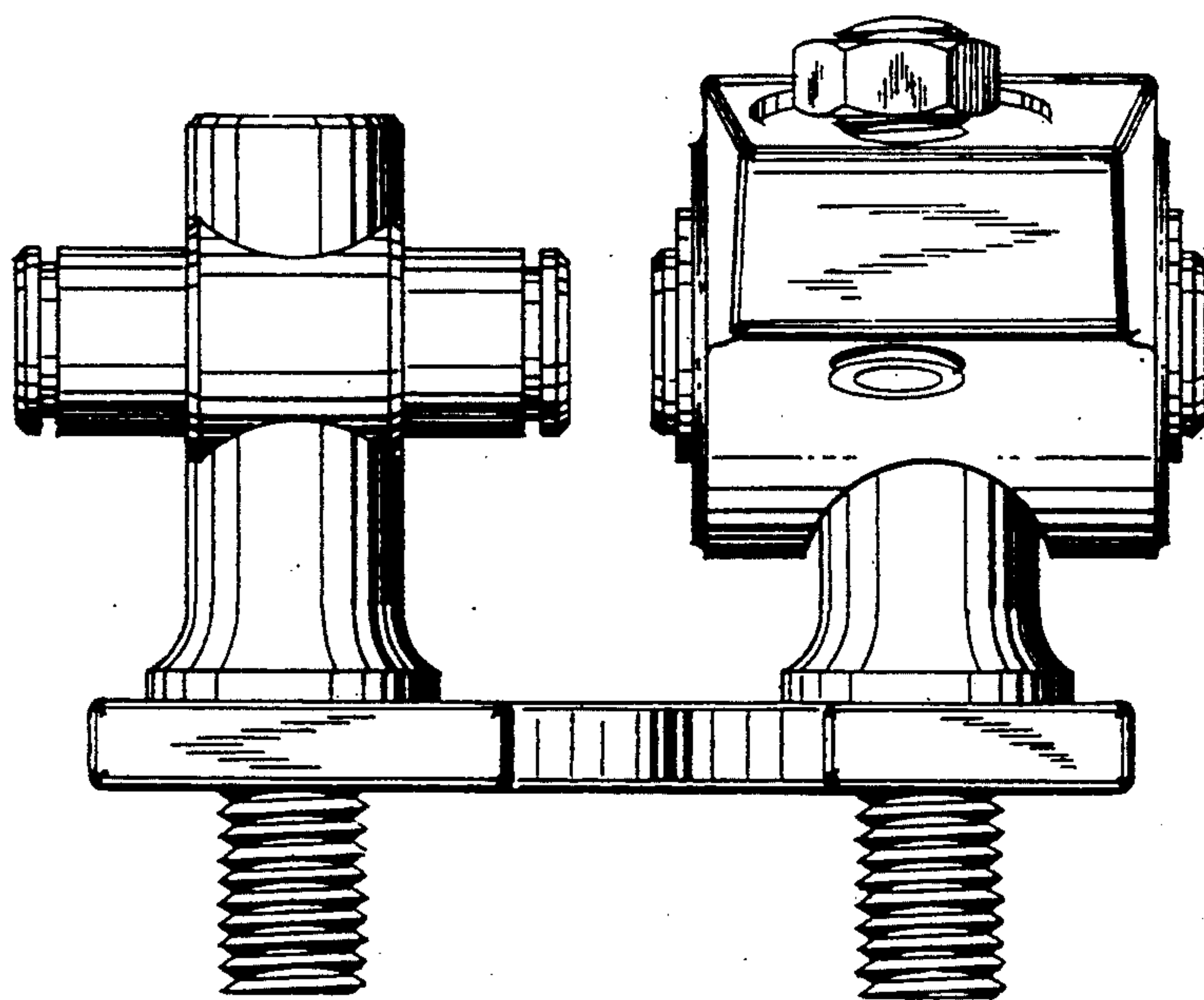


FIG. 4

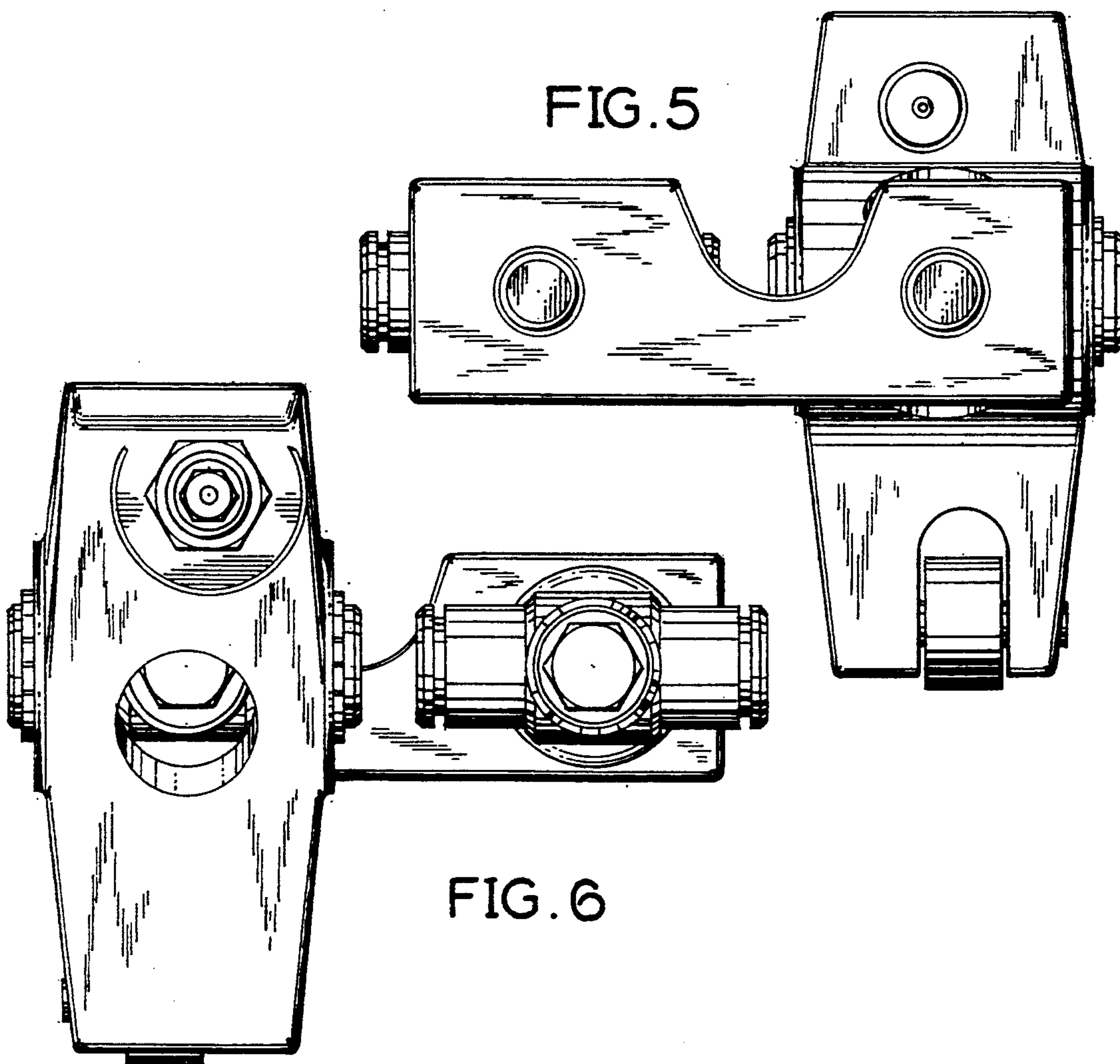


FIG. 5

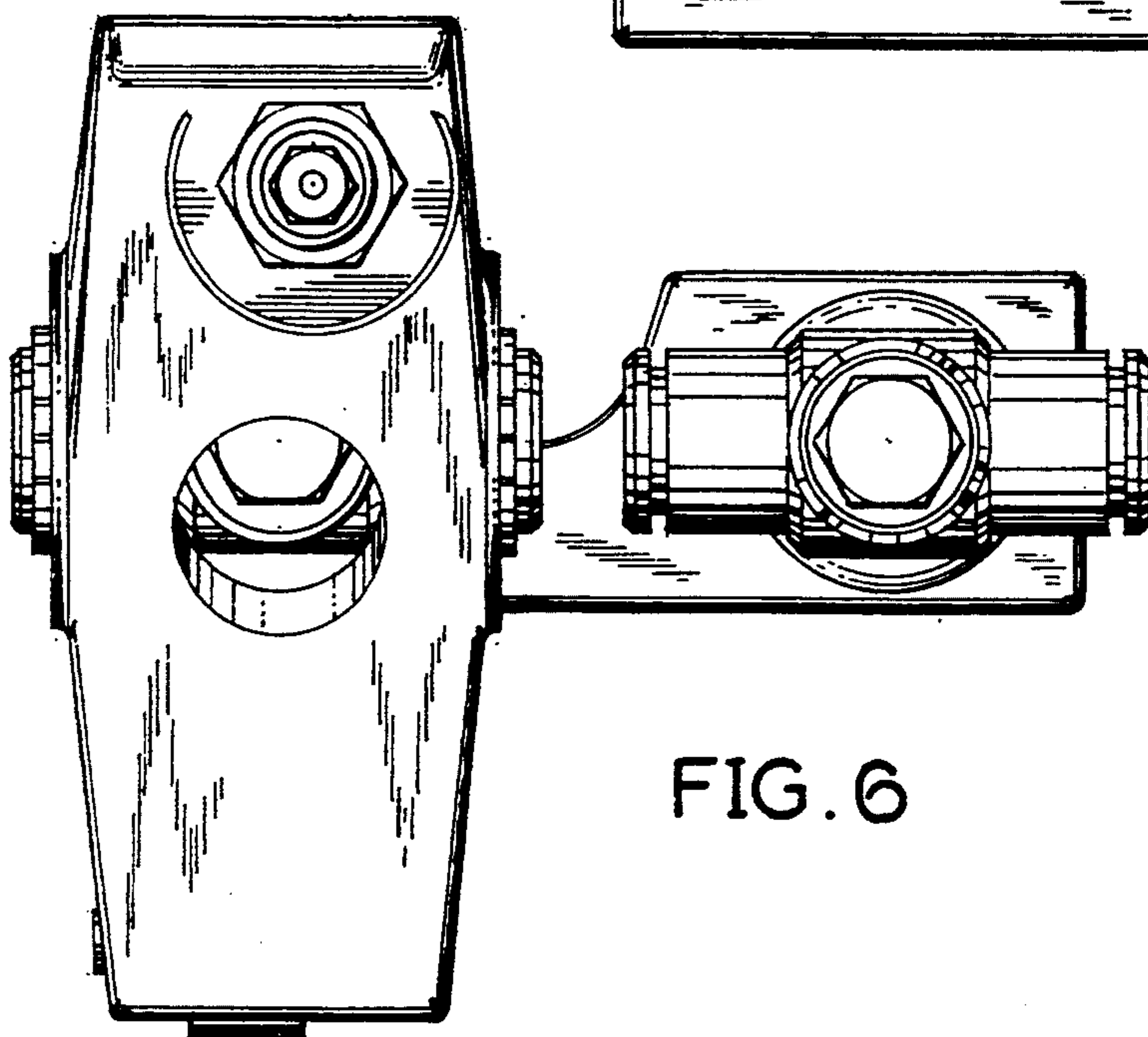


FIG. 6

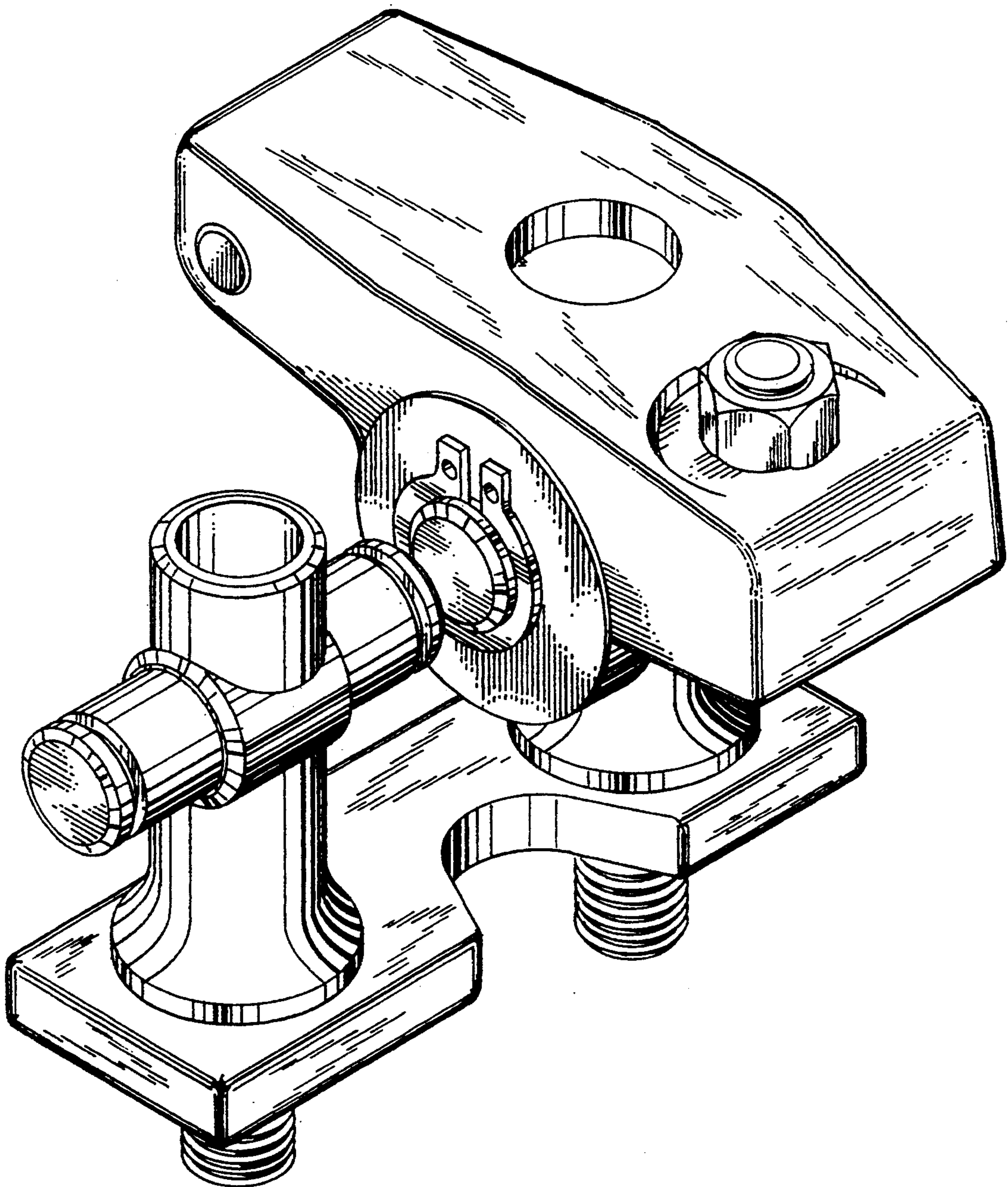


FIG. 7