



US00D354945S

United States Patent [19]

[11] Patent Number: **Des. 354,945**

Dellavecchia et al.

[45] Date of Patent: **** Jan. 31, 1995**

[54] **ELECTRONIC RELAY UNIT**

[75] Inventors: **Daniel J. Dellavecchia**, Cheshire;
David C. Etherton, Monroe; **Brian J. Rolnick**, Plainville, all of Conn.

[73] Assignee: **General Electric**, New York, N.Y.

[**] Term: **14 Years**

[21] Appl. No.: **12,155**

[22] Filed: **Aug. 25, 1993**

[52] U.S. Cl. **D13/159**

[58] Field of Search **D13/158, 159, 162;**
335/202; 361/690, 724, 819

[56] **References Cited**

U.S. PATENT DOCUMENTS

- D. 223,365 4/1972 Beckwith D13/159
- D. 234,601 3/1975 Hague et al. D13/159

- D. 290,694 7/1987 Shimuzu et al. D13/162
- D. 333,461 2/1993 Shimuzu et al. D13/162
- D. 344,715 3/1994 Hsiao et al. D13/158
- 4,620,263 10/1986 Ito 361/690
- 5,103,199 4/1992 Ootsuka 335/202 X

Primary Examiner—Joel Sincavage
Attorney, Agent, or Firm—Richard A. Menelly

[57] **CLAIM**

The ornamental design for an electronic relay unit, as shown and described.

DESCRIPTION

FIG. 1 is a top perspective view of the electronic relay unit according to the invention;
FIG. 2 is a top plan view of the unit of FIG. 1;
FIG. 3 is a left side view of the unit of FIG. 1;
FIG. 4 is a right side view of the unit of FIG. 1;
FIG. 5 is an end view of the unit of FIG. 1; and,
FIG. 6 is a bottom plan view of the unit of FIG. 1.

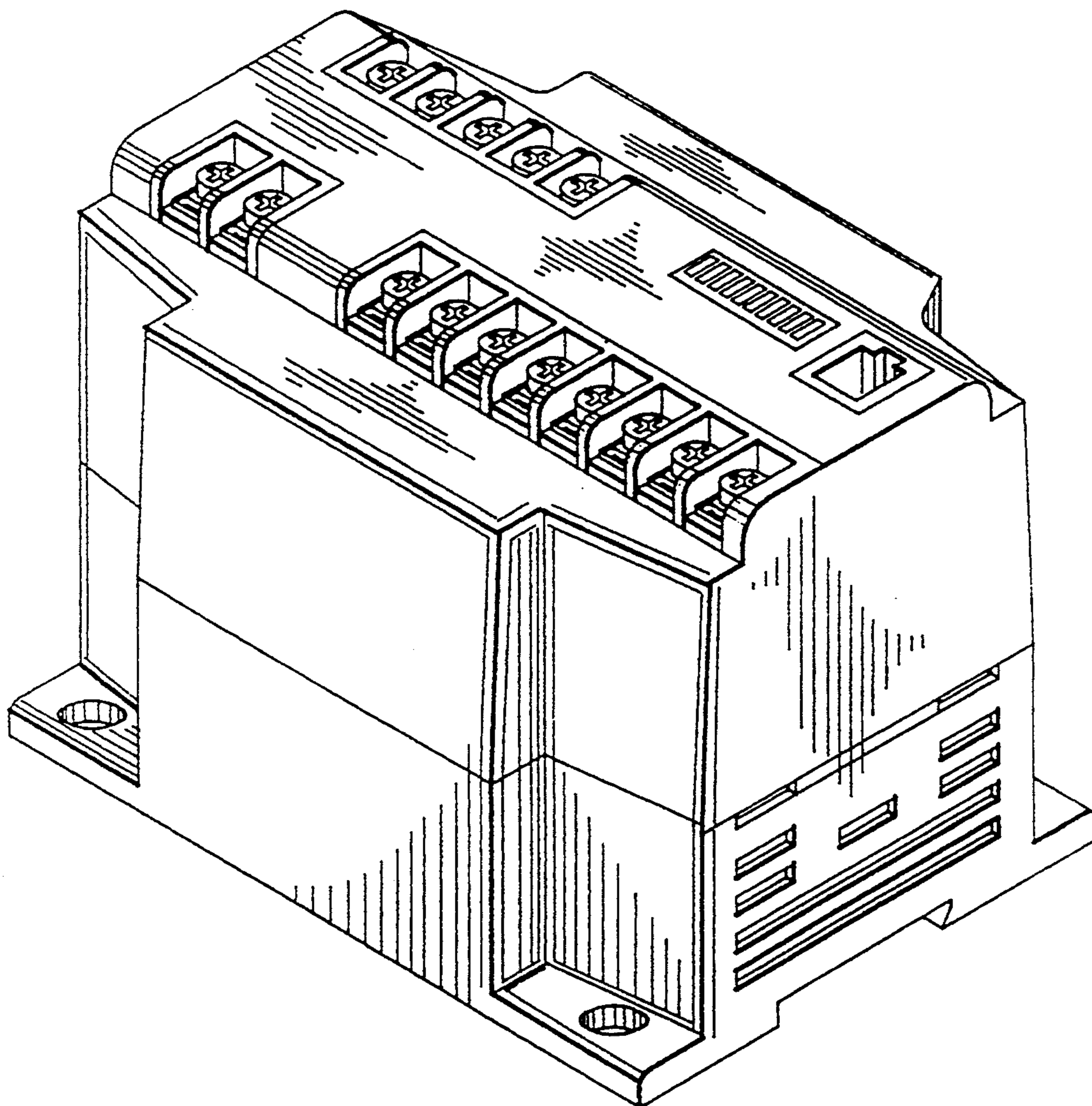


FIG. 1

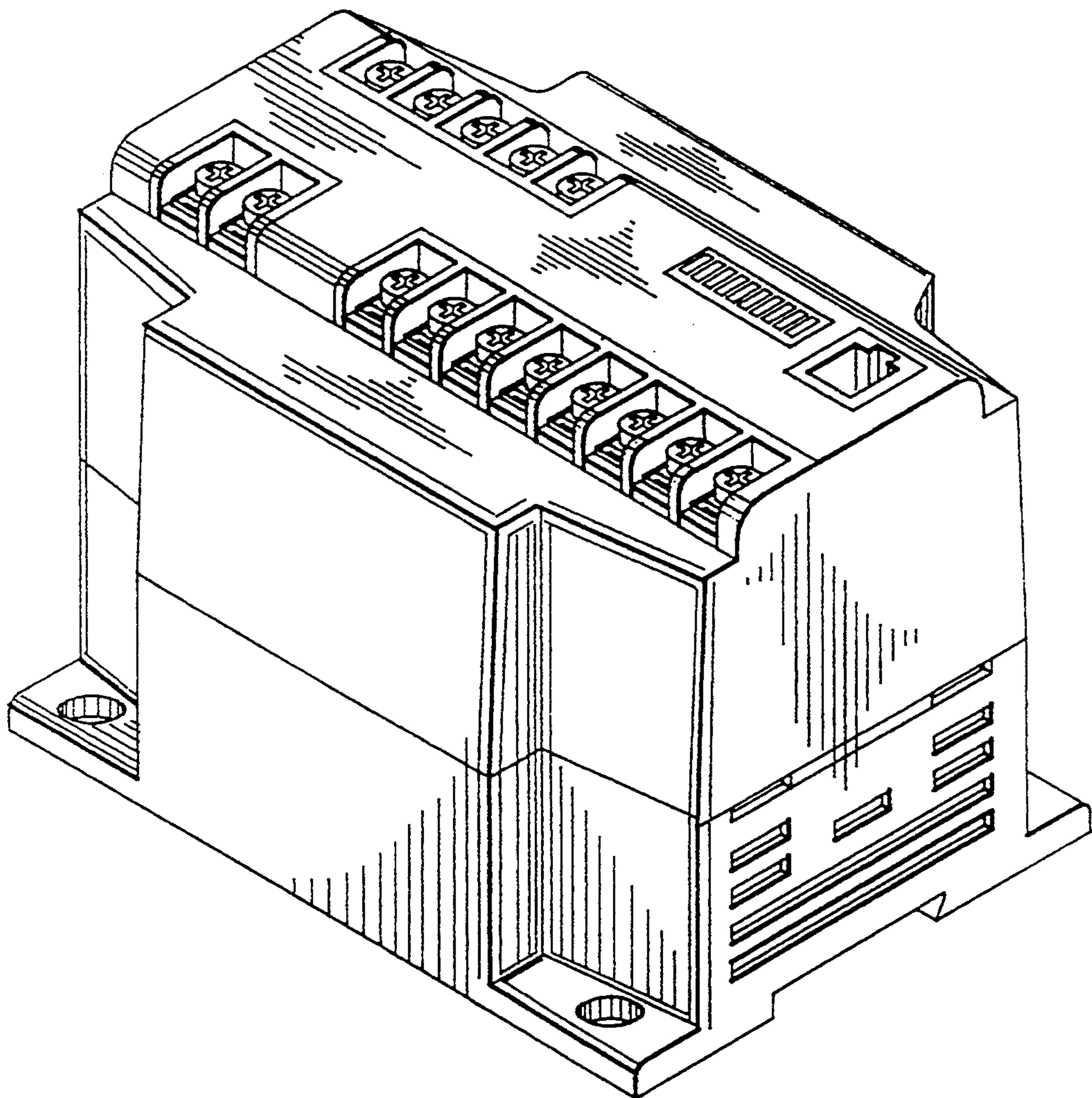


FIG. 2

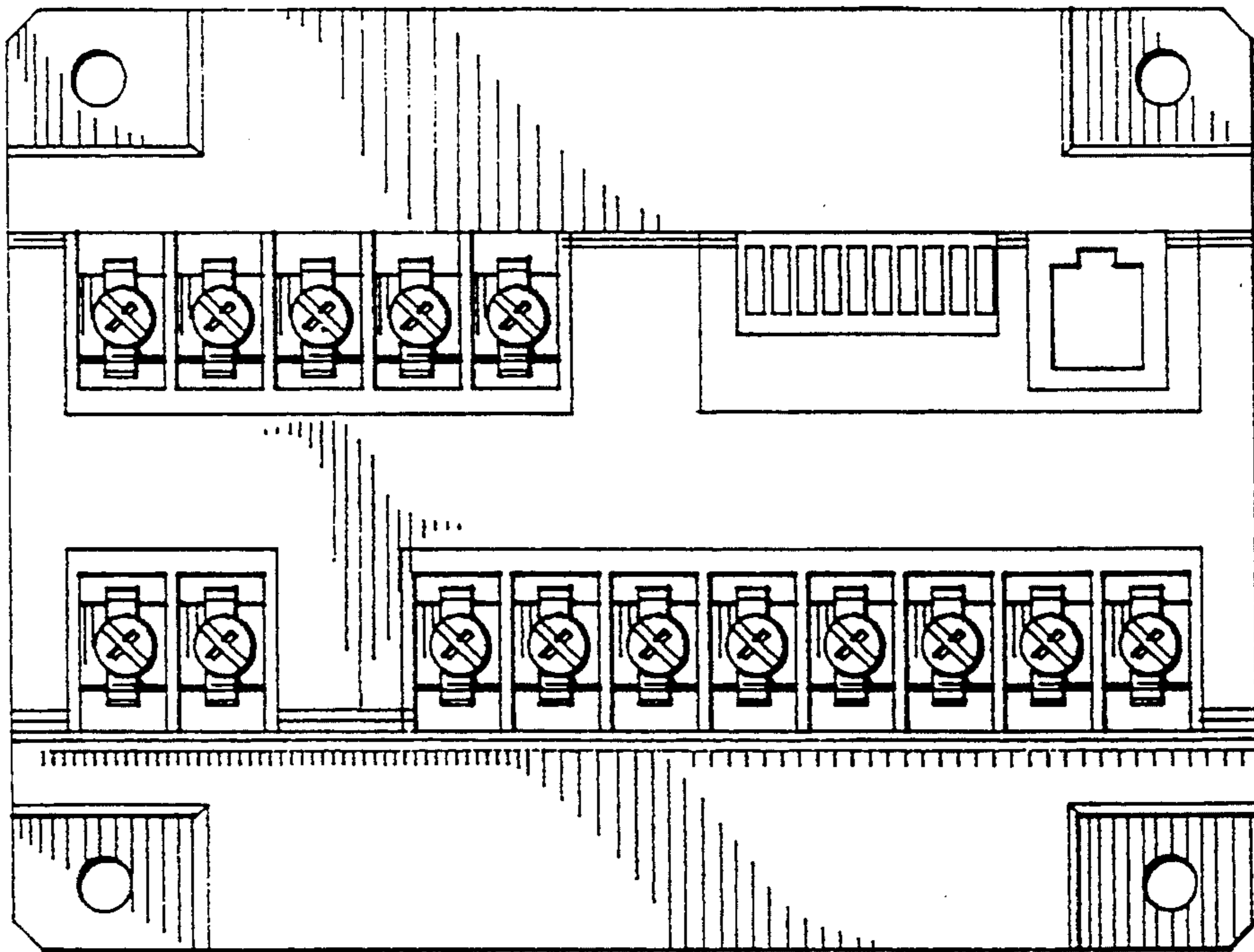


FIG. 3

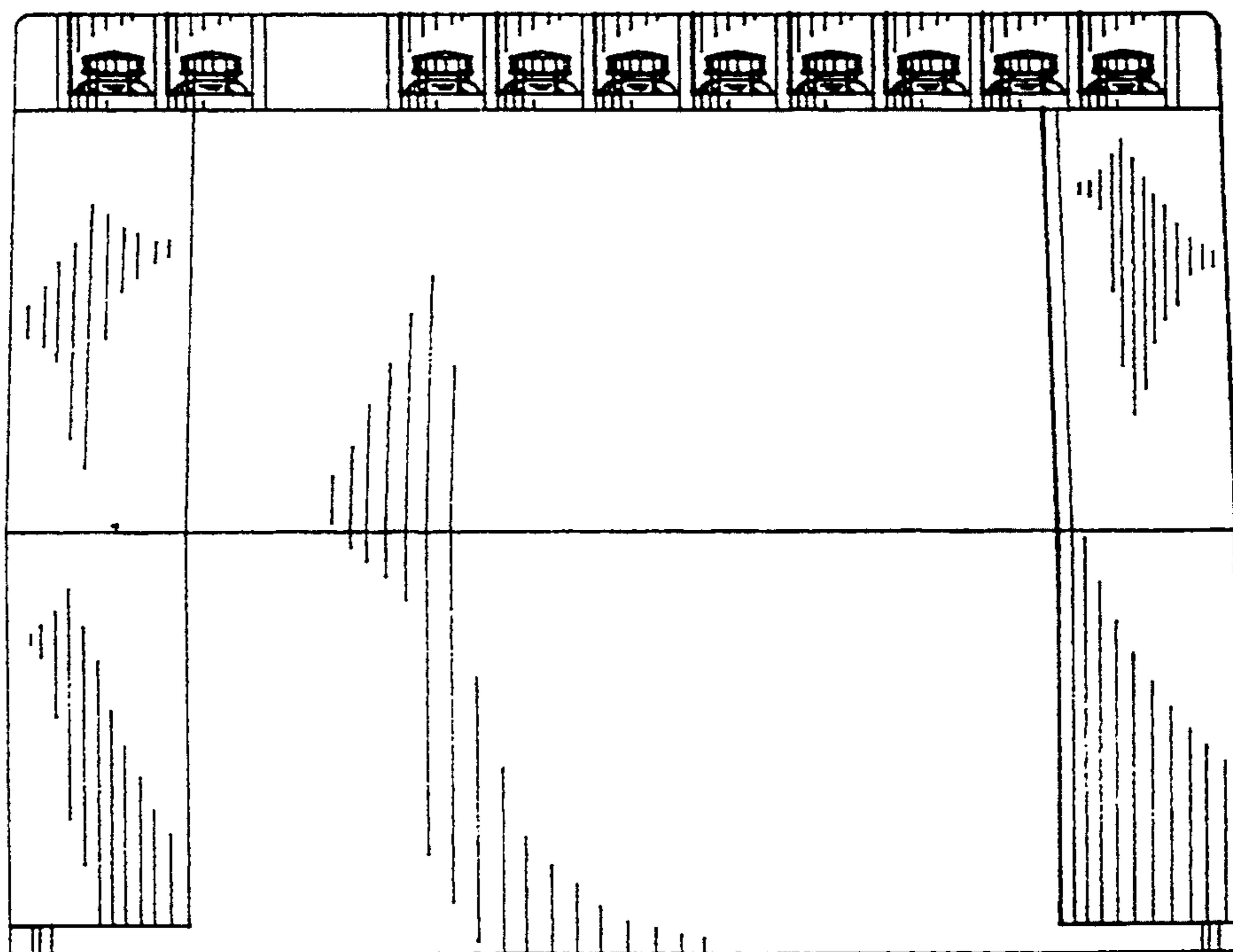


FIG. 4

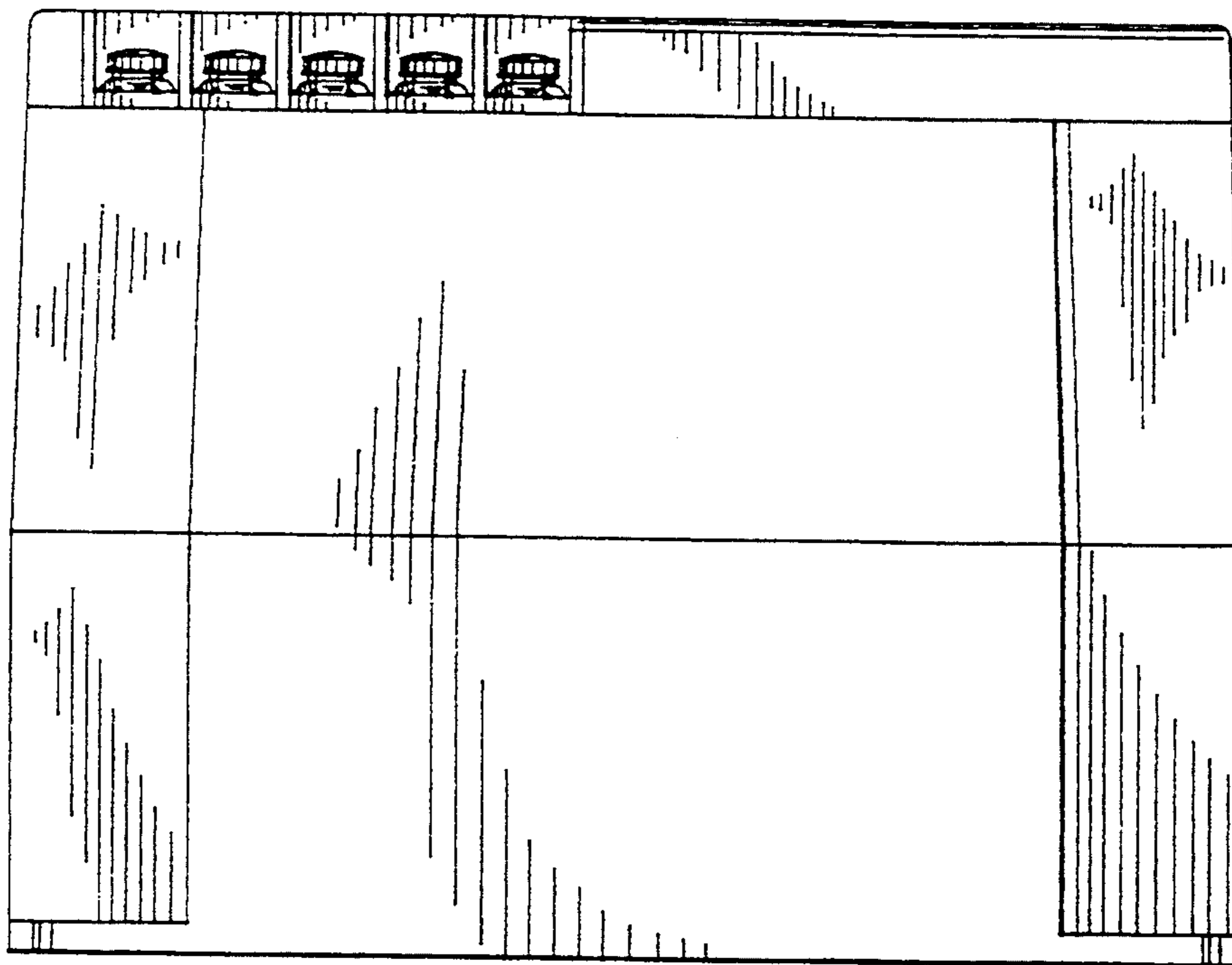


FIG. 5

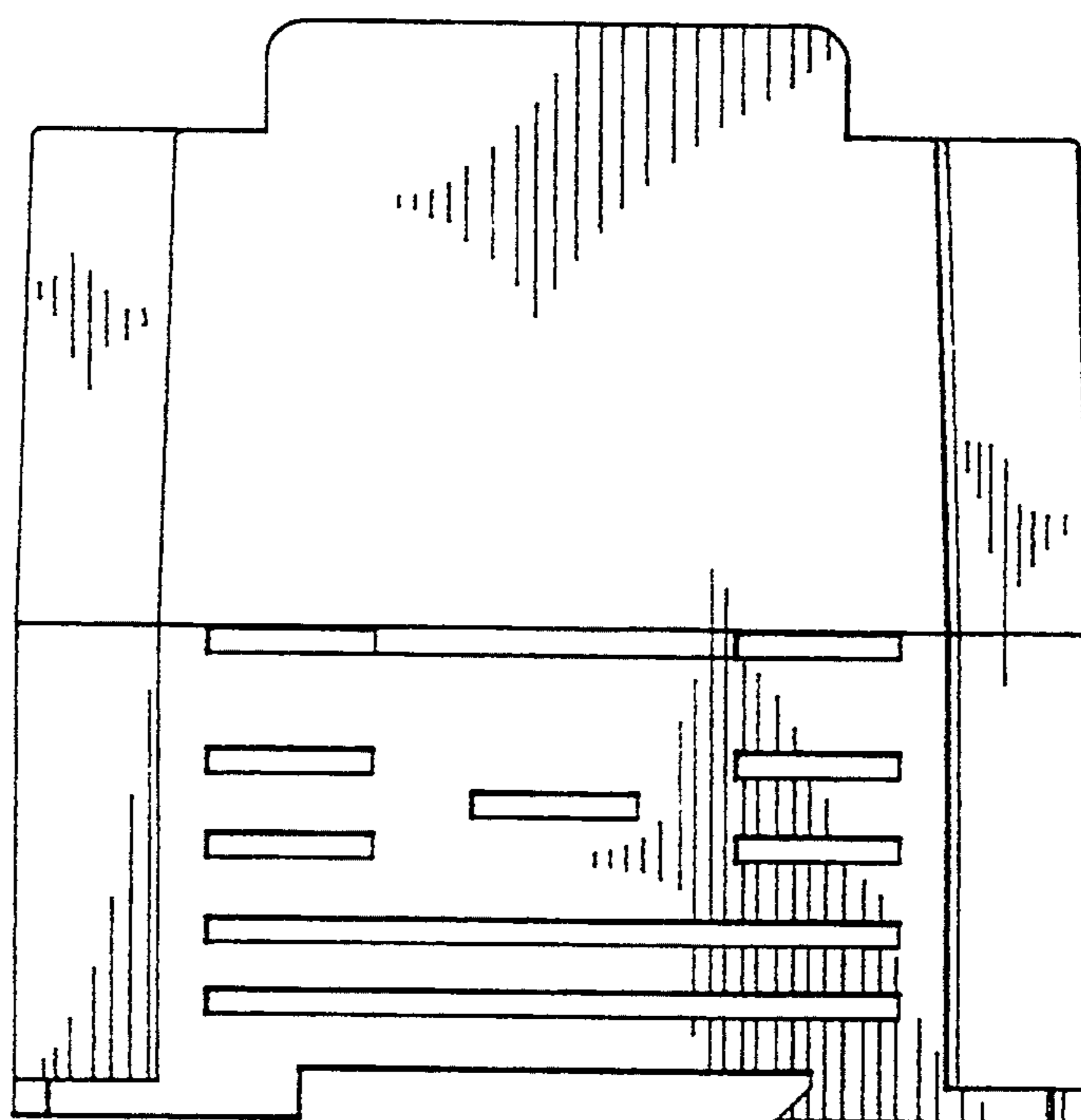


FIG. 6

