



US00D354942S

United States Patent [19]

Schwan

[11] Patent Number: **Des. 354,942**

[45] Date of Patent: **** Jan. 31, 1995**

[54] **ELECTRICAL CORD STORAGE SYSTEM**

[76] Inventor: **William C. Schwan**, 619 S. 10th St.,
Aberdeen, S. Dak. 57401

[**] Term: **14 Years**

[21] Appl. No.: **9,302**

[22] Filed: **Jun. 10, 1993**

[52] U.S. Cl. **D13/140**

[58] Field of Search **D13/137, 138, 139, 140,**
D13/141, 143; 439/4, 373, 501, 505, 535, 536;
191/12.2, 12.4; 242/54 R, 96

[56] **References Cited**

U.S. PATENT DOCUMENTS

D. 160,540	10/1950	Riesinger	D13/140
D. 220,434	4/1971	Sewell et al.	D13/140 X
3,328,103	6/1967	Bennett	439/4 X
3,821,496	6/1974	Malone	439/4 X

FOREIGN PATENT DOCUMENTS

8806353 8/1988 WIPO 439/4

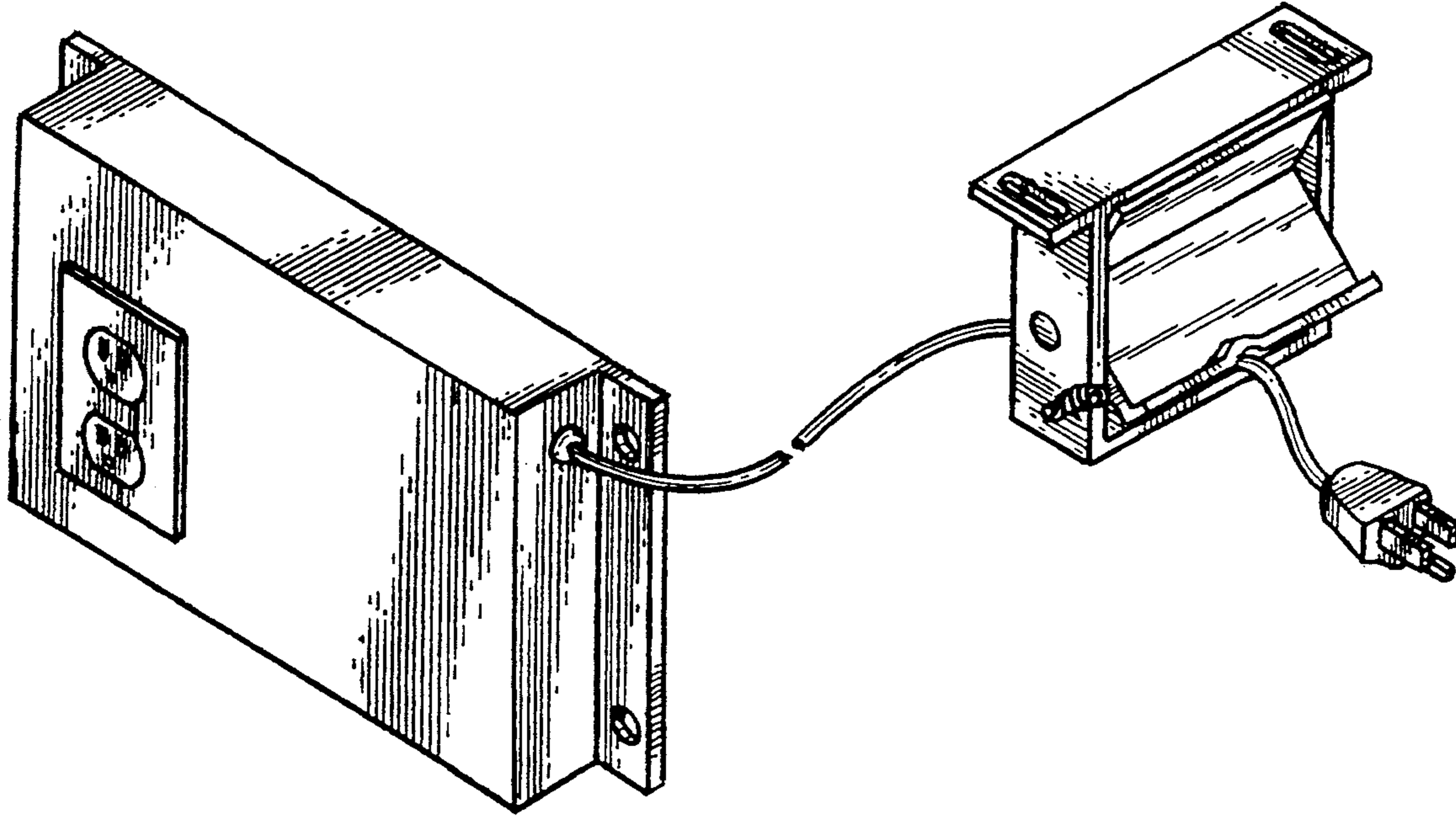
Primary Examiner—Joel Sincavage
Attorney, Agent, or Firm—Terry M. Gernstein

[57] **CLAIM**

The ornamental design for a electrical cord storage system, as shown and described.

DESCRIPTION

FIG. 1 is a front, top and side perspective view of the electrical cord storage system showing my new design; FIG. 2 is a front elevational view thereof; FIG. 3 is a rear elevational view thereof; FIG. 4 is a side elevational view thereof; FIG. 5 is a side elevational view thereof; FIG. 6 is a top plan view thereof; and, FIG. 7 is a bottom plan view thereof.



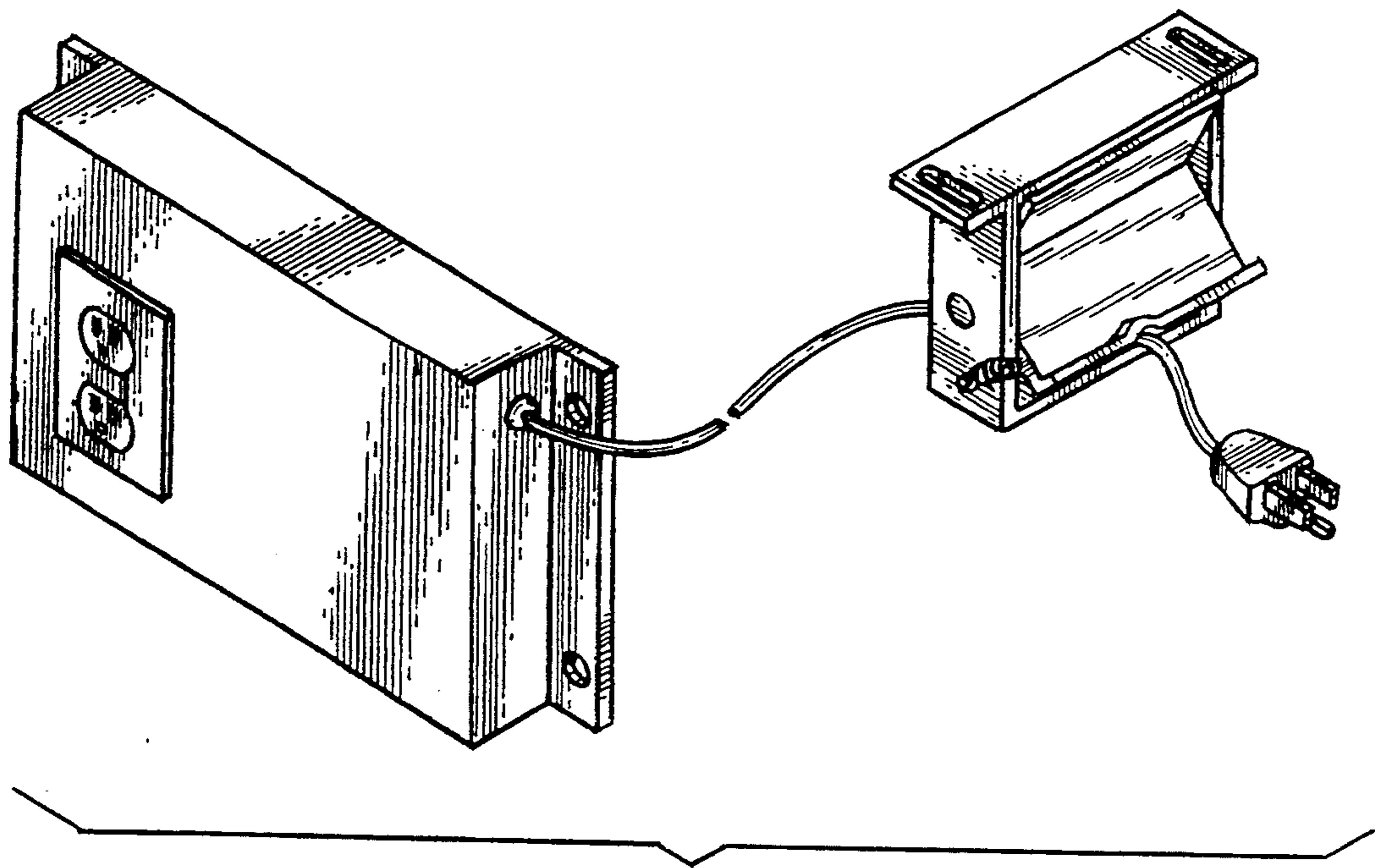


FIG. 1

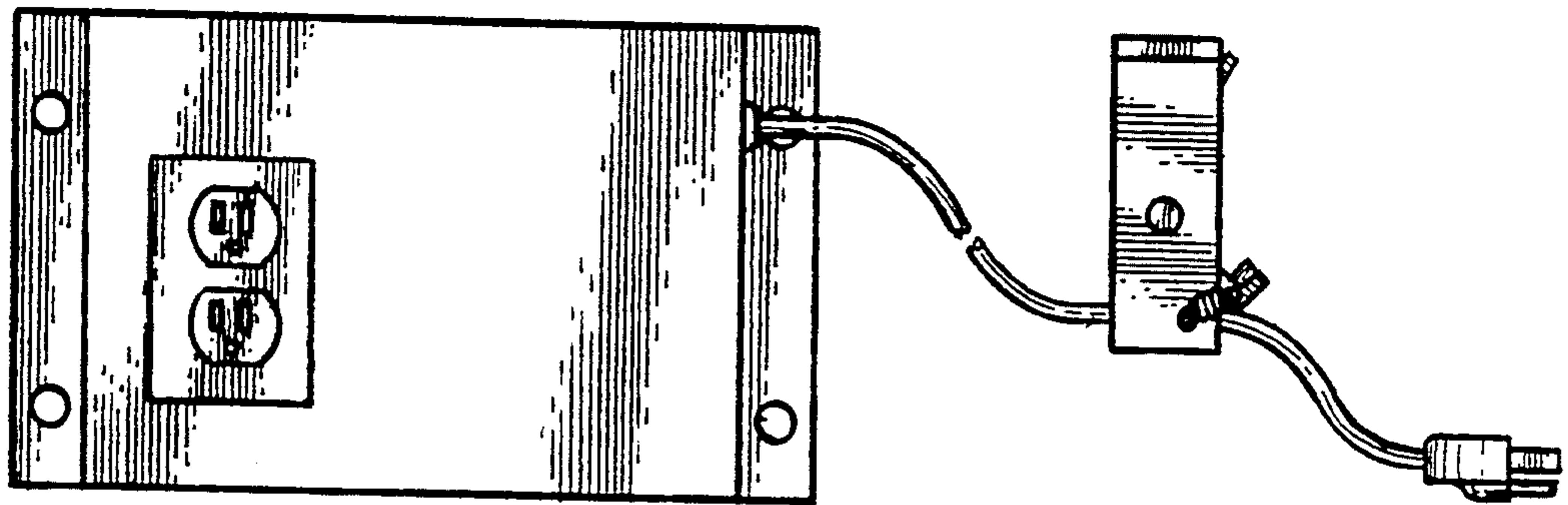


FIG. 2

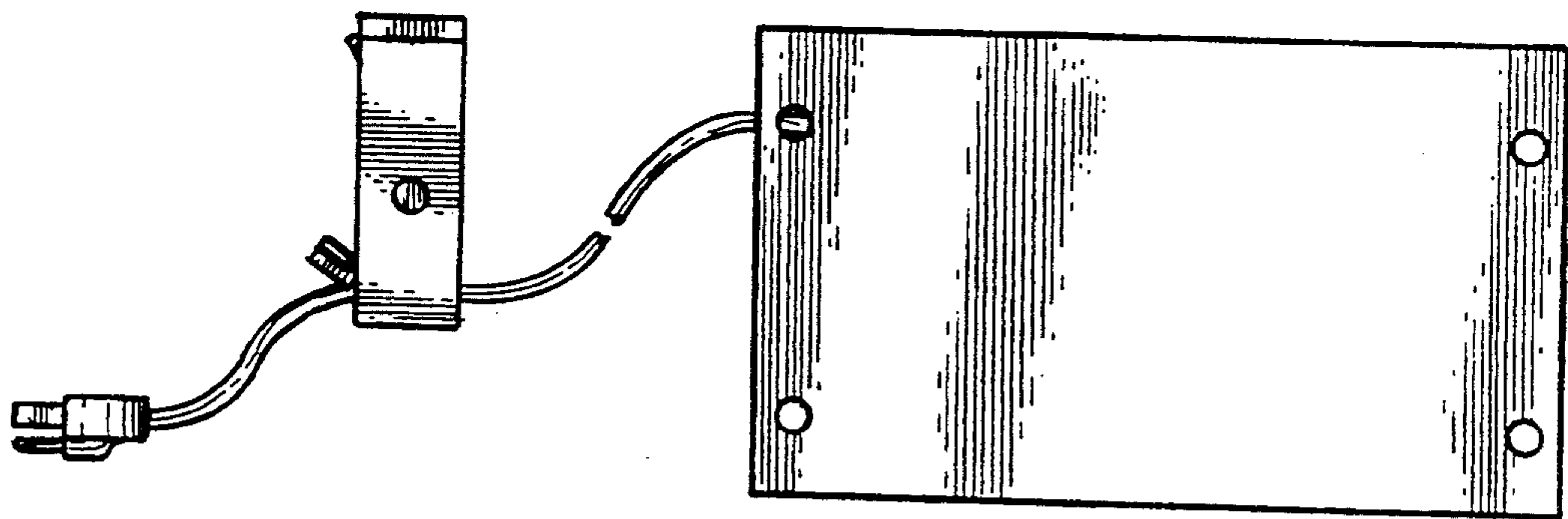


FIG. 3

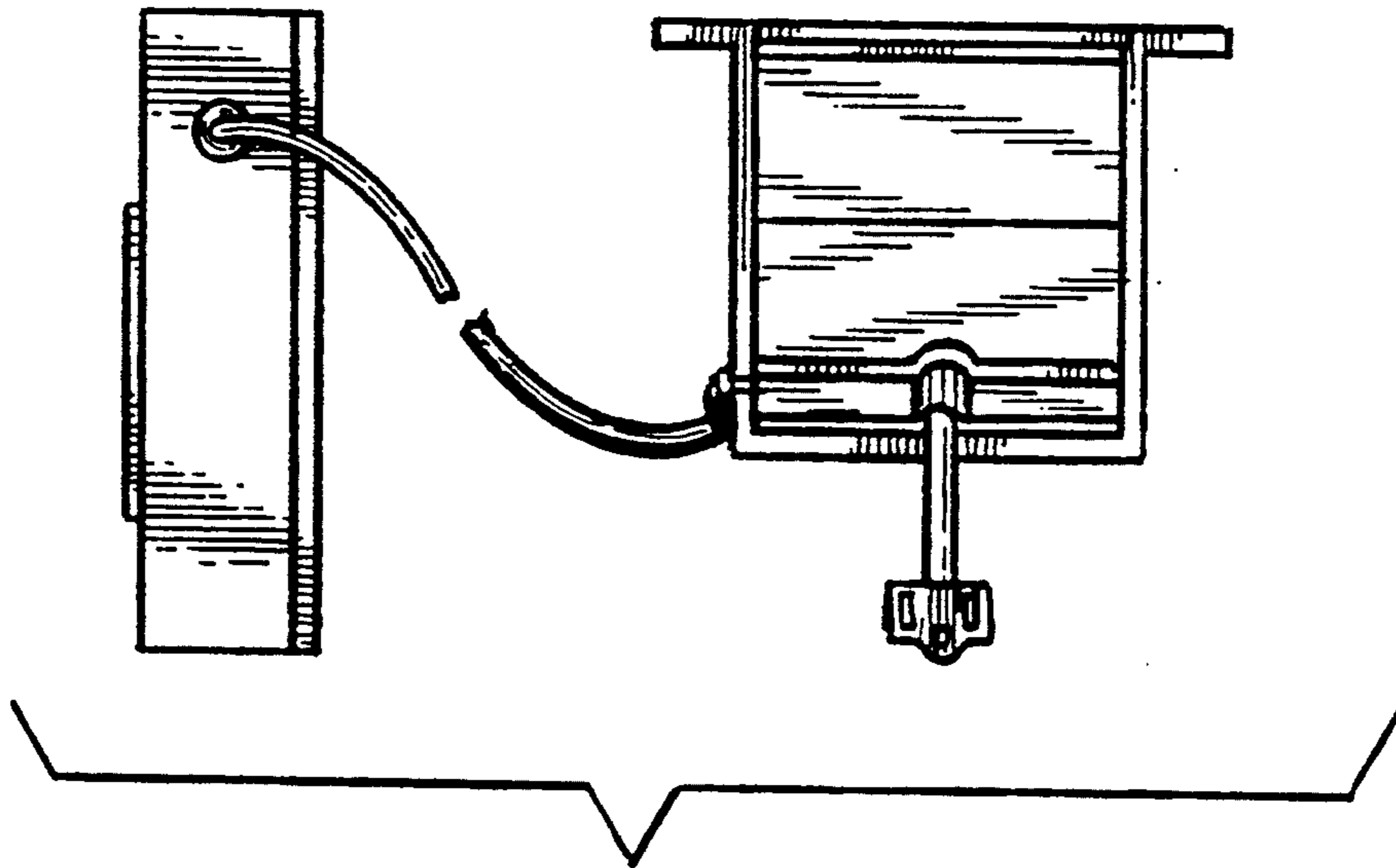


FIG. 4

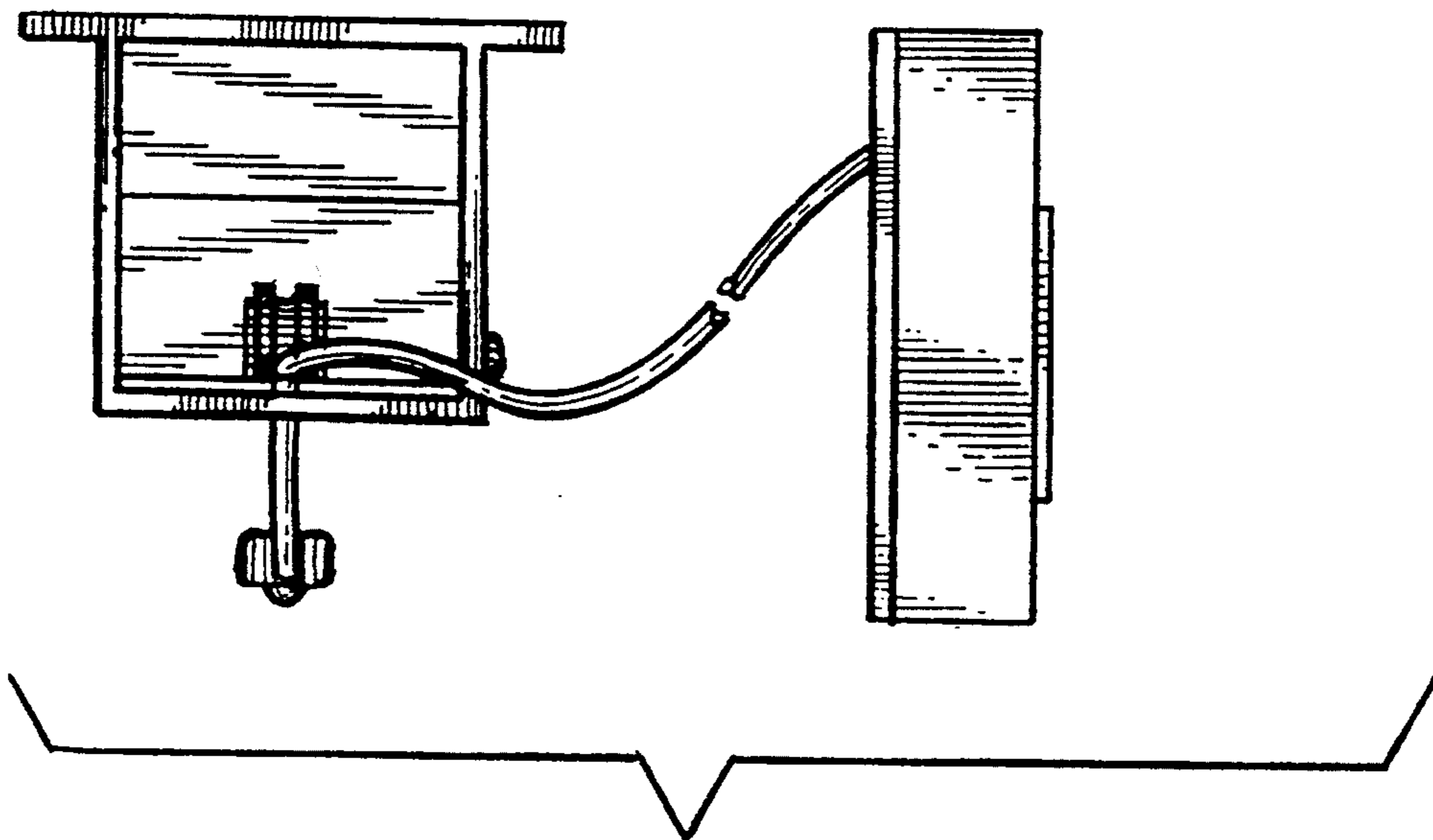


FIG. 5

