



US00D354940S

United States Patent [19]

[11] Patent Number: **Des. 354,940**

Speiser et al.

[45] Date of Patent: **** Jan. 31, 1995**

[54] **RJ-45 INTERCHANGEABLE TRANSCEIVER MODULE**

[75] Inventors: **Benjamin T. Speiser, San Francisco; Lloyd N. Oliver, Milpitas, both of Calif.**

[73] Assignee: **3 Com Corporation, Santa Clara, Calif.**

[*] Notice: The portion of the term of this patent subsequent to Dec. 27, 2008 has been disclaimed.

[**] Term: **14 Years**

[21] Appl. No.: **8,524**

[22] Filed: **May 17, 1993**

[52] U.S. Cl. **D13/133; D13/147**

[58] Field of Search **D13/147, 162, 164, 182; 361/728, 736, 737, 741, 748, 752, 756, 760; 385/27, 31, 51; 439/55, 59, 62, 63, 64, 65, 76, 78, 79, 82, 527, 529, 536, 544, 547, 571, 578, 629**

[56] References Cited

U.S. PATENT DOCUMENTS

D. 292,698	11/1987	De Vita et al.	D13/182
D. 336,746	6/1993	Tse	D14/114
4,573,753	3/1986	Vogl	439/65
4,744,006	5/1988	Duffield	361/785 X
4,745,524	5/1988	Patton, III	361/785 X
4,758,928	7/1988	Wierce et al.	439/680 X
4,795,362	1/1989	Vonder et al.	439/629 X
5,031,074	7/1991	Ravid	361/785 X
5,091,826	2/1992	Arnett et al.	361/785 X
5,099,394	3/1992	Hood et al.	361/786
5,121,295	6/1992	Lam	361/736
5,162,675	11/1992	Olsen et al.	439/62 X
5,273,463	12/1993	Kaetsu et al.	439/680 X

FOREIGN PATENT DOCUMENTS

341872	11/1989	European Pat. Off.	439/65
84582	3/1989	Japan	439/62

OTHER PUBLICATIONS

Card-monolithic chip on card subassembly on p. 2867 of IBM Technical Disclosure Bulletin vol. 14 No. 10 Mar. 1972.

Computer cards on p. 73 of *MCM Electronics* Summer 1991 catalog.

Brooktrout's TR114 DSP-based card on p. 78 of *Teleconnect* Jul. 1992.

Primary Examiner—Wallace R. Burke

Assistant Examiner—Joel Sincavage

Attorney, Agent, or Firm—Townsend and Townsend

Khourie and Crew

[57] CLAIM

The ornamental design for an RJ-45 interchangeable transceiver module, as shown and described.

DESCRIPTION

FIG. 1 is a perspective view of an RJ-45 interchangeable transceiver module showing our new design;

FIG. 2 is a top plan view thereof;

FIG. 3 is a front plan view thereof;

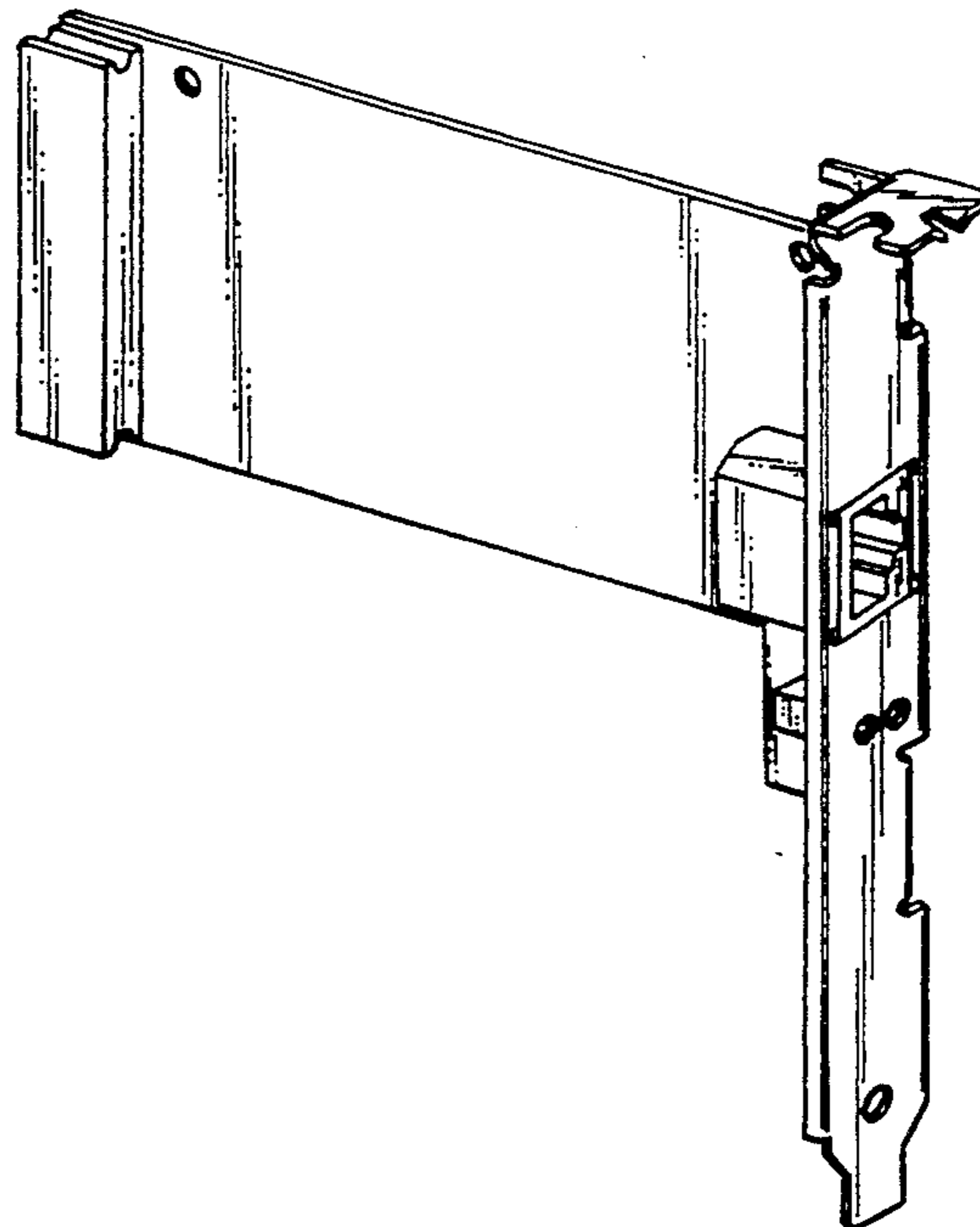
FIG. 4 is a left side plan view;

FIG. 5 is a right side plan view;

FIG. 6 is a bottom plan view thereof;

FIG. 7 is a rear plan view thereof; and,

FIG. 8 is a front plan view thereof showing our design with a network adapter card. The broken line showing of the adapter card is included for the purpose of illustrating environmental structure only and forms no part of the claimed design.



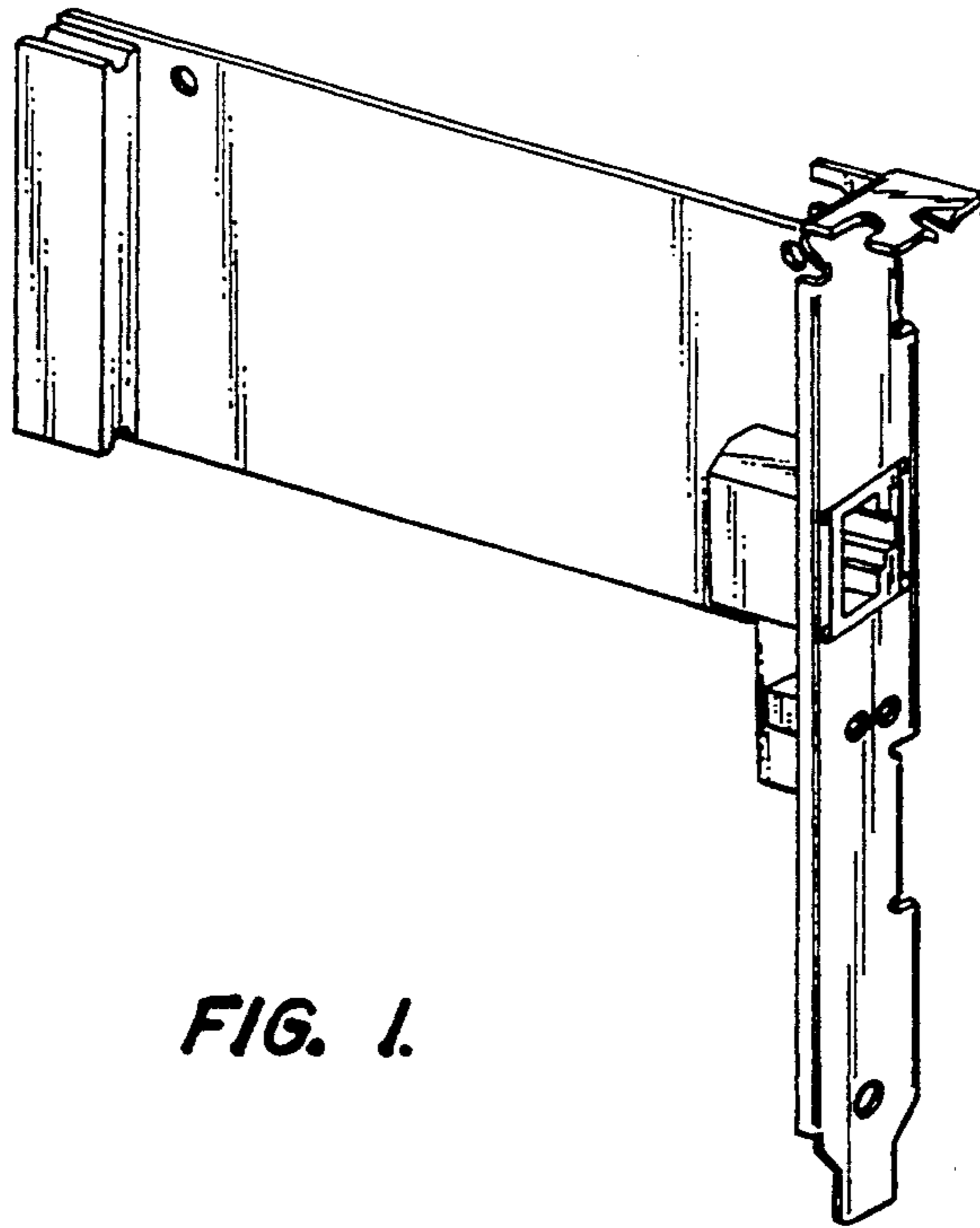


FIG. 1.

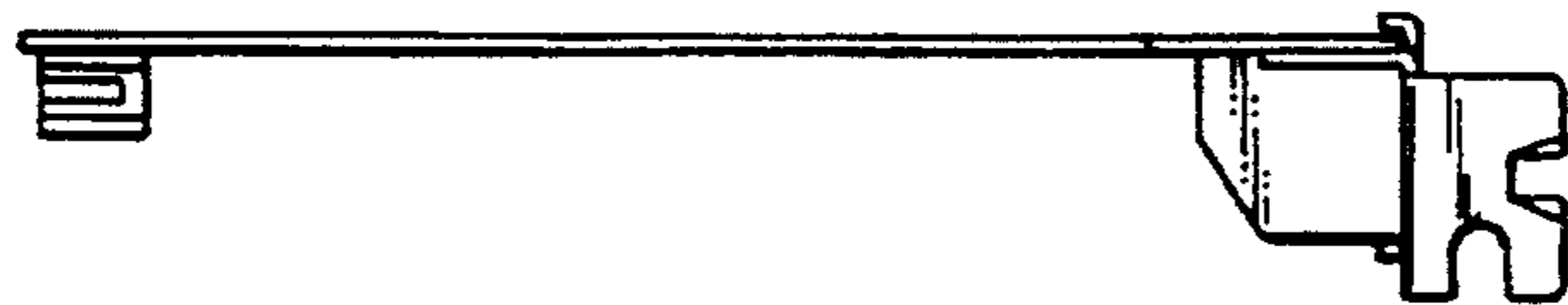


FIG. 2.

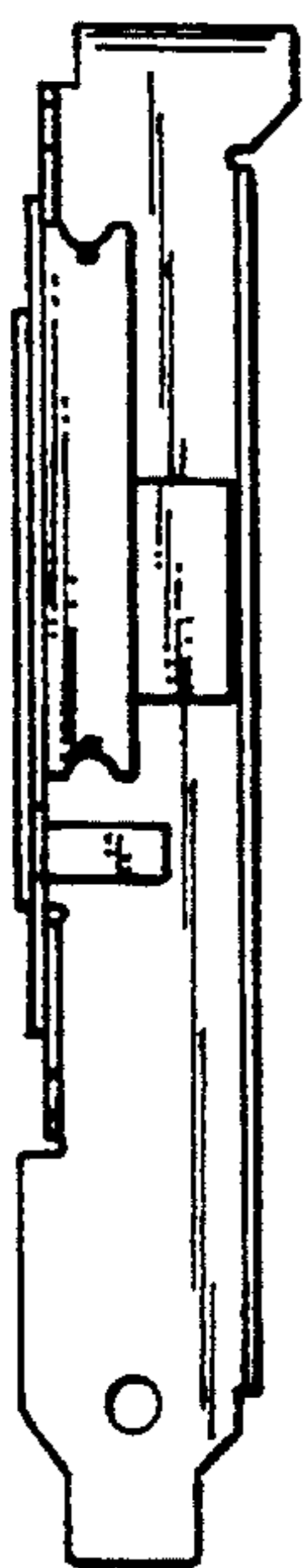


FIG. 4.

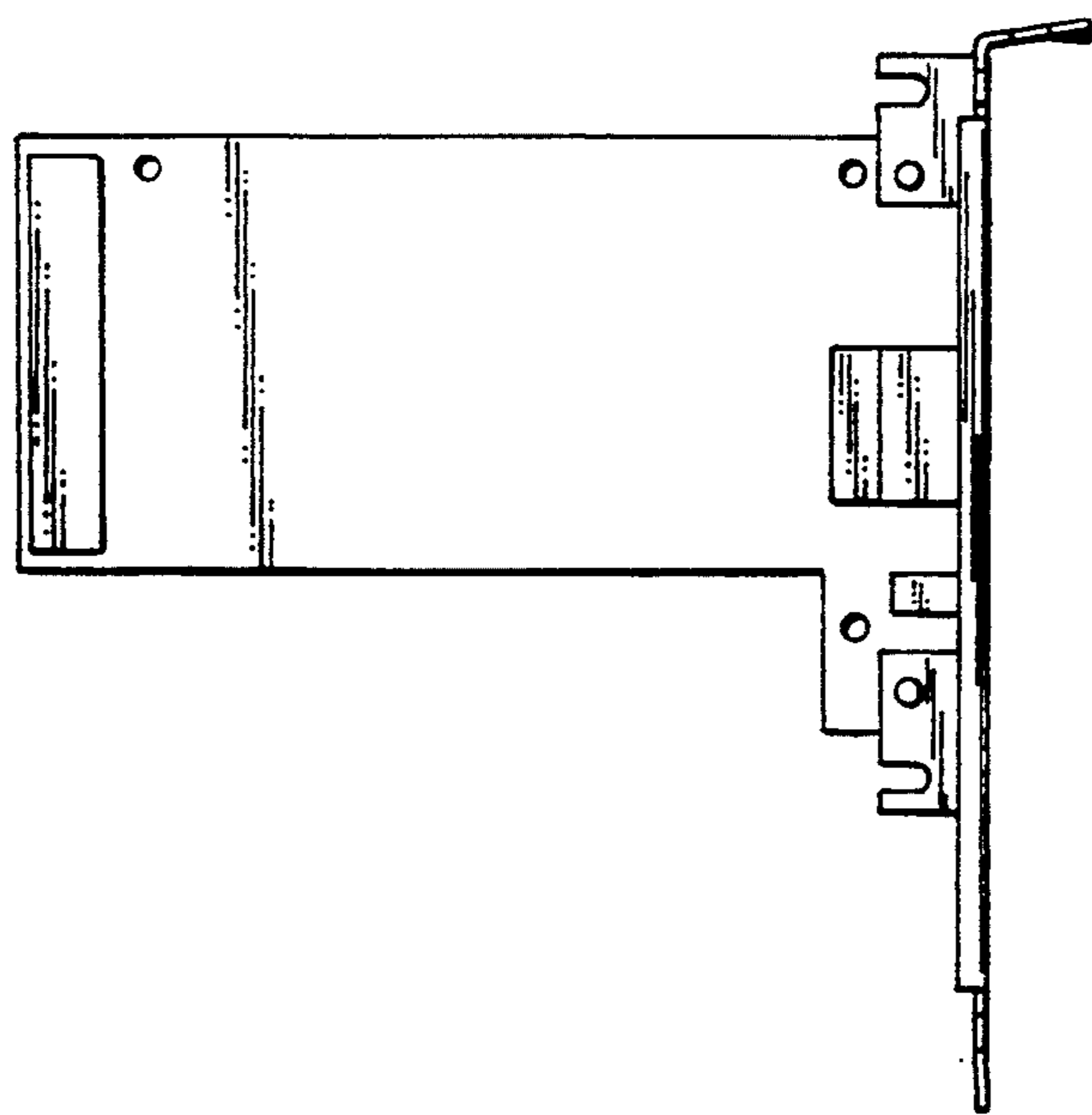


FIG. 3.

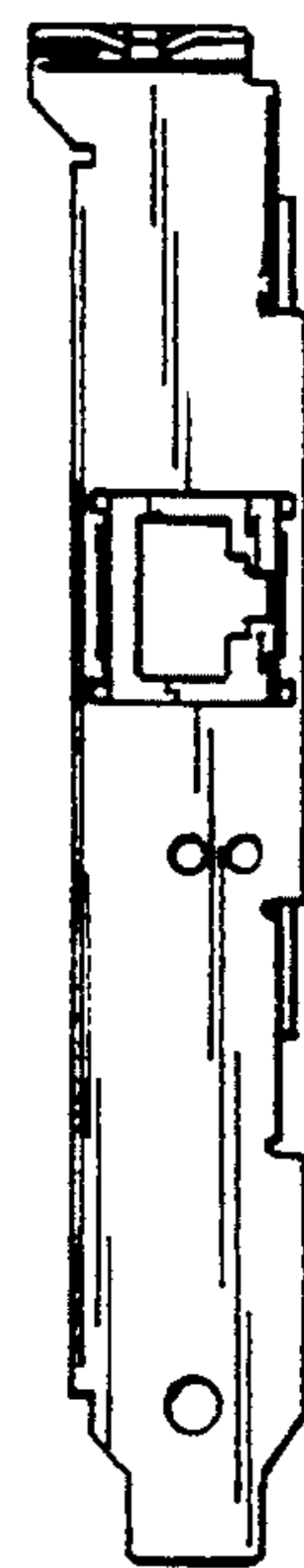


FIG. 5.

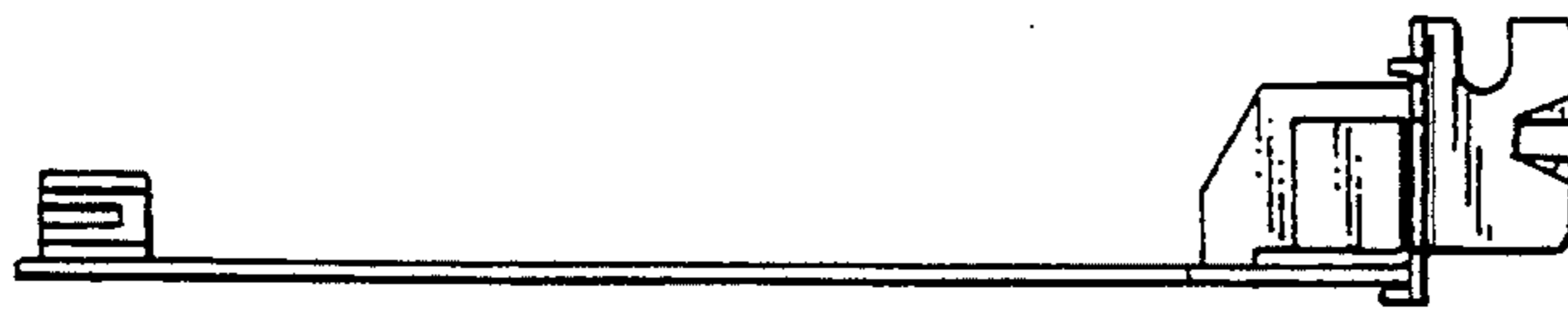


FIG. 6.

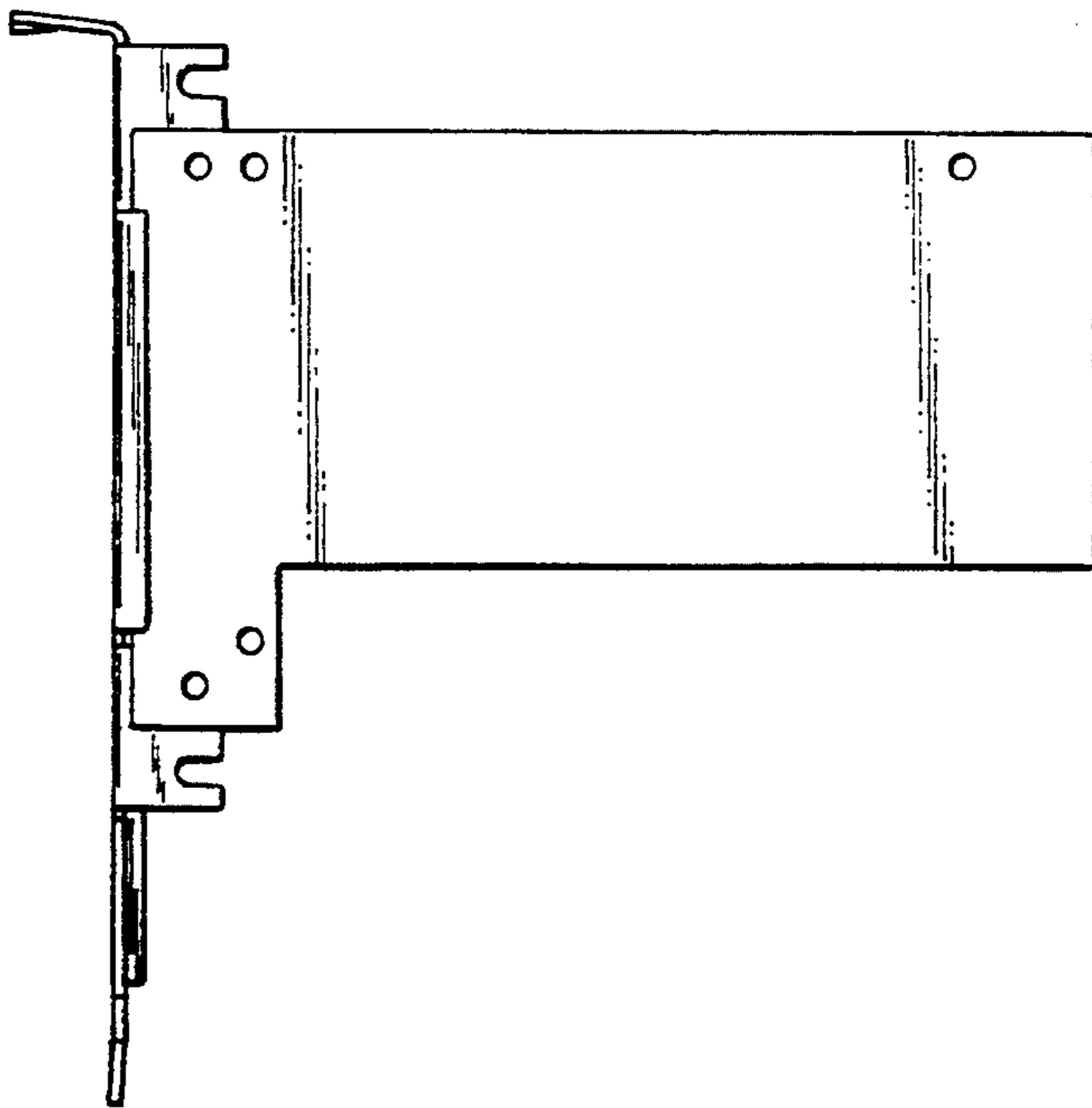


FIG. 7.

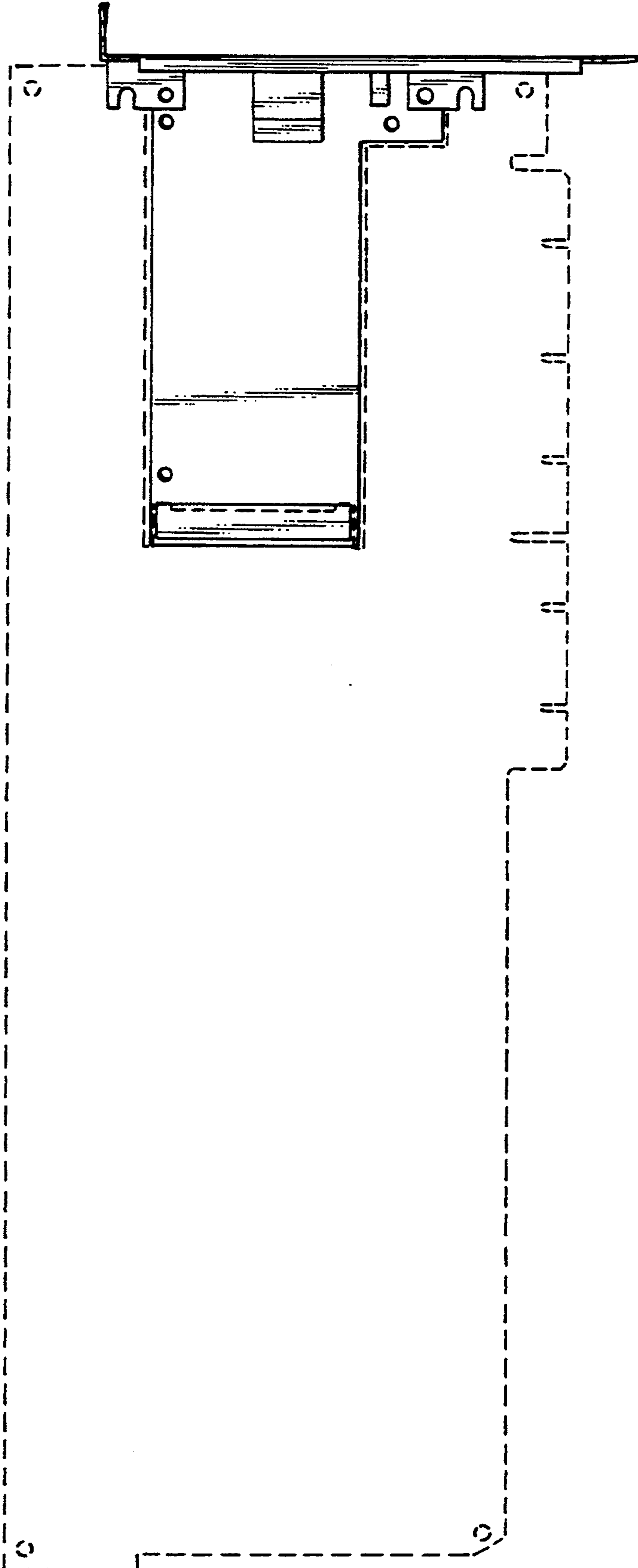


FIG. 8.