



US00D354939S

# United States Patent [19]

[11] Patent Number: **Des. 354,939**

Jensen et al.

[45] Date of Patent: **\*\* Jan. 31, 1995**

## [54] TELECOMMUNICATIONS CONNECTOR

[75] Inventors: **Michael L. Jensen, Cary; George D. Summers, Jr., Raleigh; Thomas M. Baum, Apex, all of N.C.**

[73] Assignee: **Raychem Corporation, Menlo Park, Calif.**

[\*\*] Term: **14 Years**

[21] Appl. No.: **6,960**

[22] Filed: **Apr. 12, 1993**

[52] U.S. Cl. .... **D13/133**

[58] Field of Search ..... **D13/133, 146, 147, 149, D13/151; 439/395, 409, 532, 595, 596, 657, 676, 690; 379/235, 328**

## [56] References Cited

### U.S. PATENT DOCUMENTS

D. 197,149	11/1962	Blum et al. ....	D13/149
904,199	11/1908	Harris .....	285/382
3,072,879	1/1963	Crowther .....	D13/149 X
5,127,153	7/1992	Mitra .....	439/395 X
5,127,851	5/1992	Hilbert et al. ....	439/532

## FOREIGN PATENT DOCUMENTS

317678 8/1929 United Kingdom .  
442751 2/1936 United Kingdom .

*Primary Examiner*—Wallace R. Burke

*Assistant Examiner*—Joel Sincavage

*Attorney, Agent, or Firm*—Herbert G. Burkard; William D. Zahrt, II; A. Stephen Zavell

## [57] CLAIM

The ornamental design for a telecommunications connector, as shown and described.

## DESCRIPTION

FIG. 1 is an upper front right perspective view of the telecommunications connector showing our new design;

FIG. 2 is a lower left rear perspective view thereof;

FIG. 3 is a left side elevational view thereof;

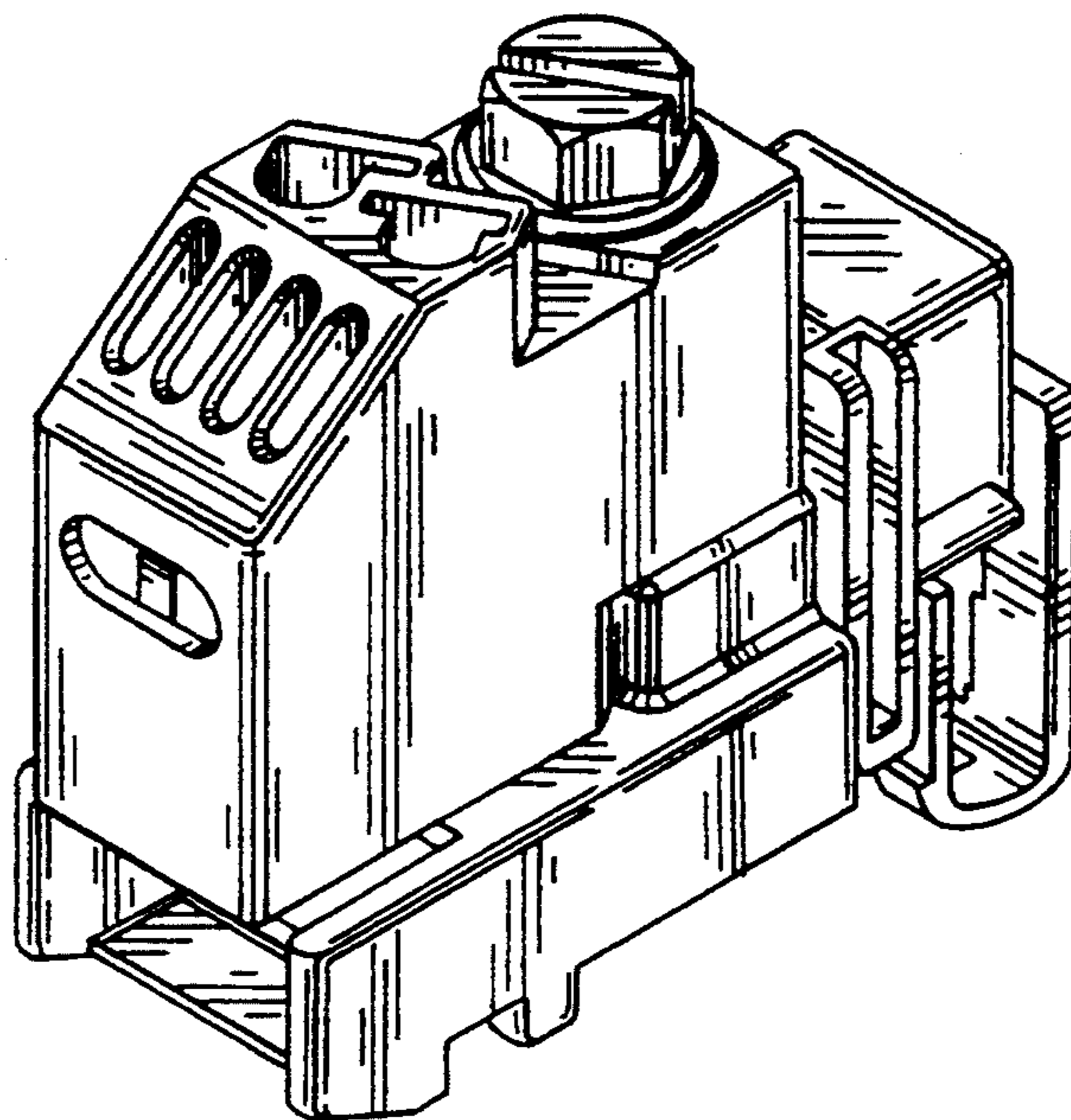
FIG. 4 is a front elevational view thereof;

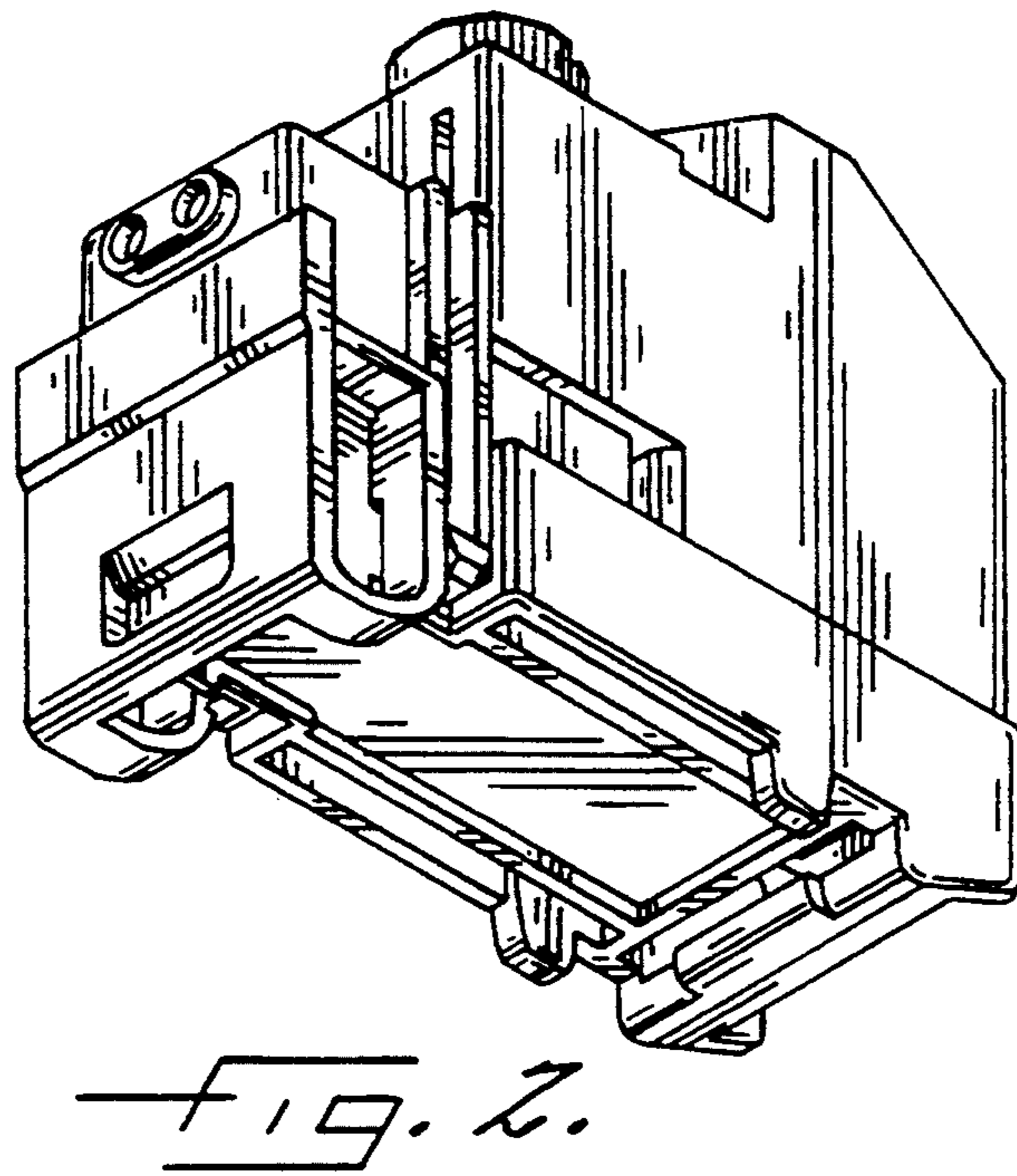
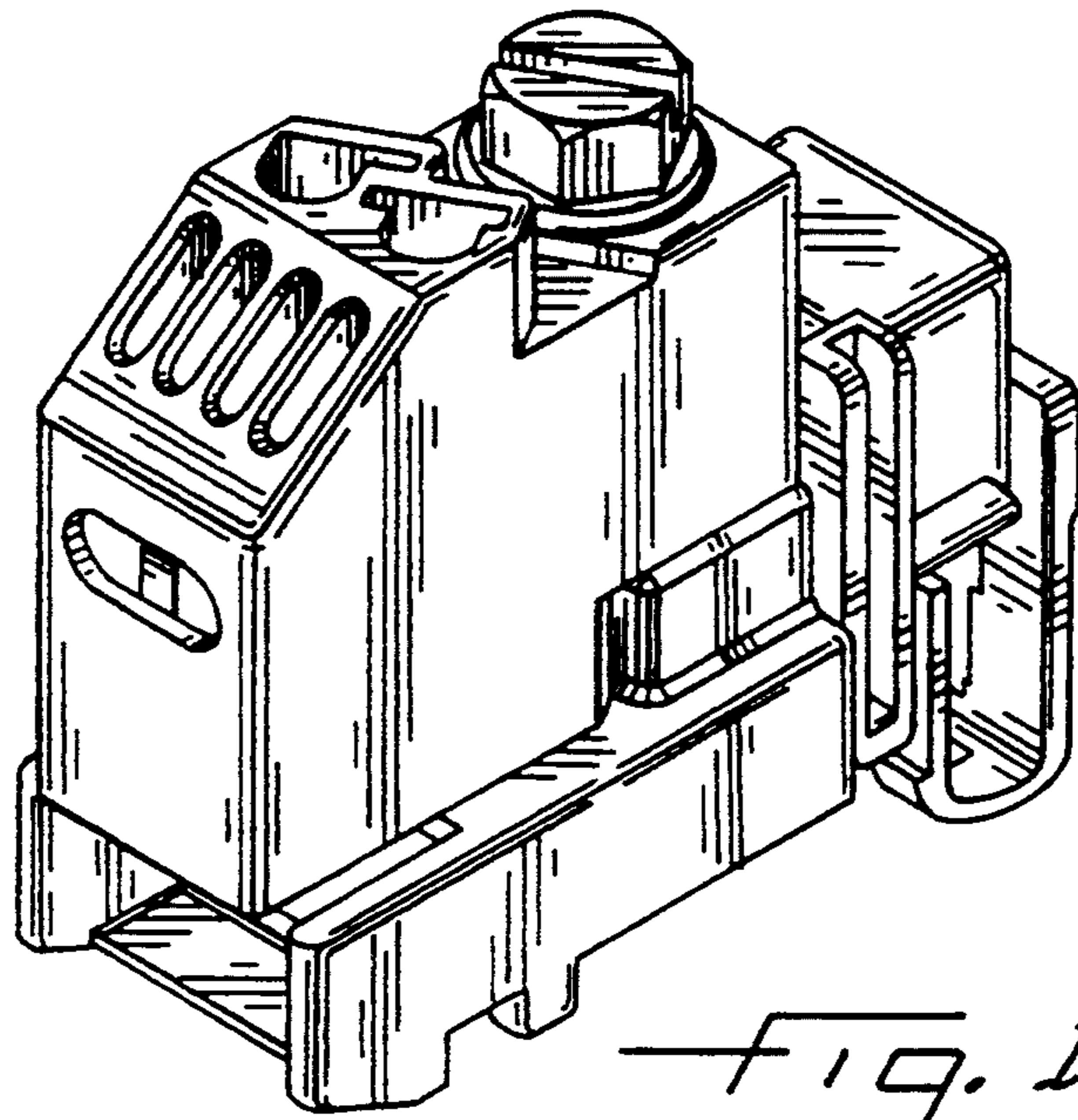
FIG. 5 is a rear elevational view thereof;

FIG. 6 is a right side elevational view thereof;

FIG. 7 is a top plan view thereof; and,

FIG. 8 is a bottom plan view thereof.





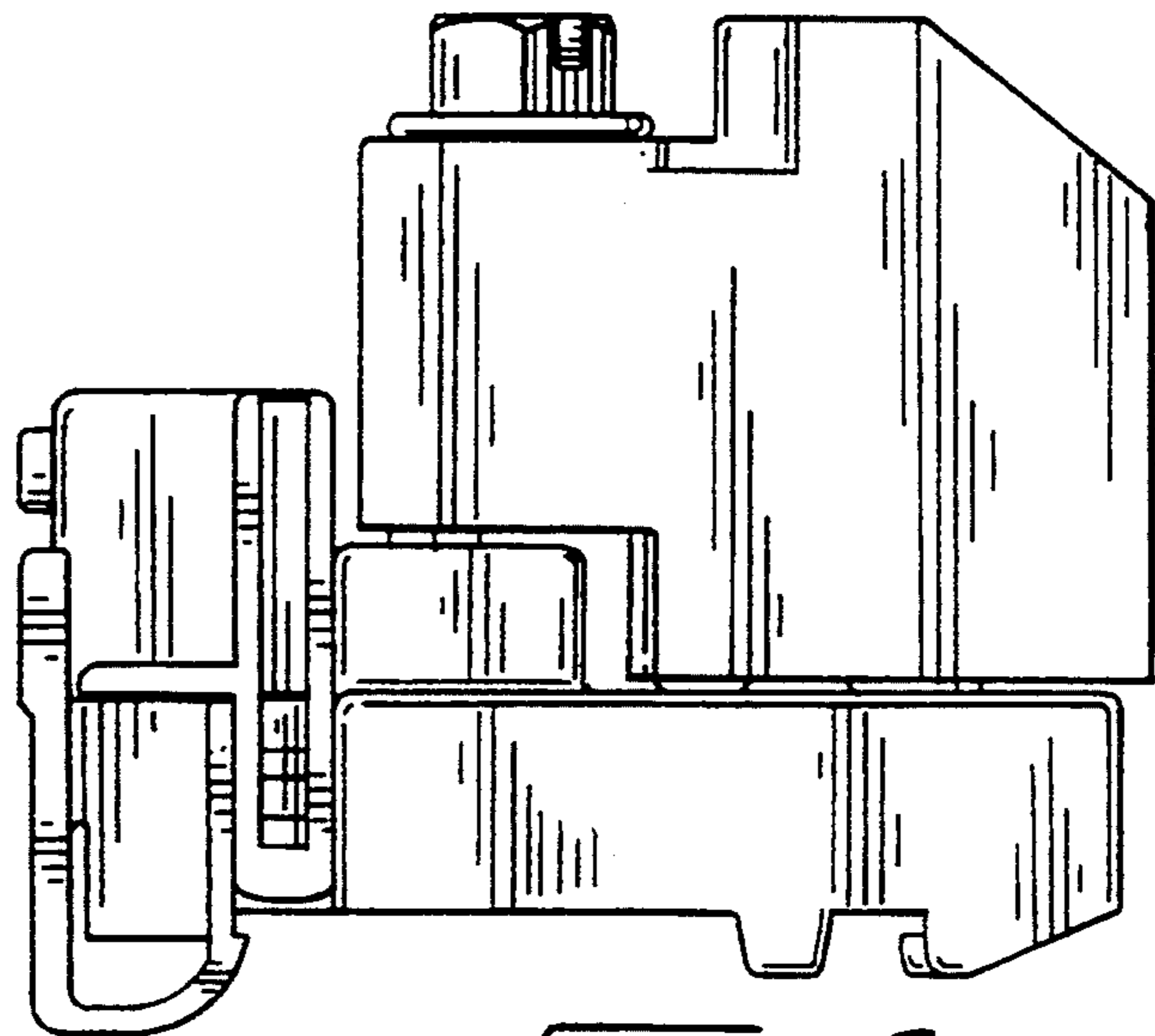


FIG. 3.

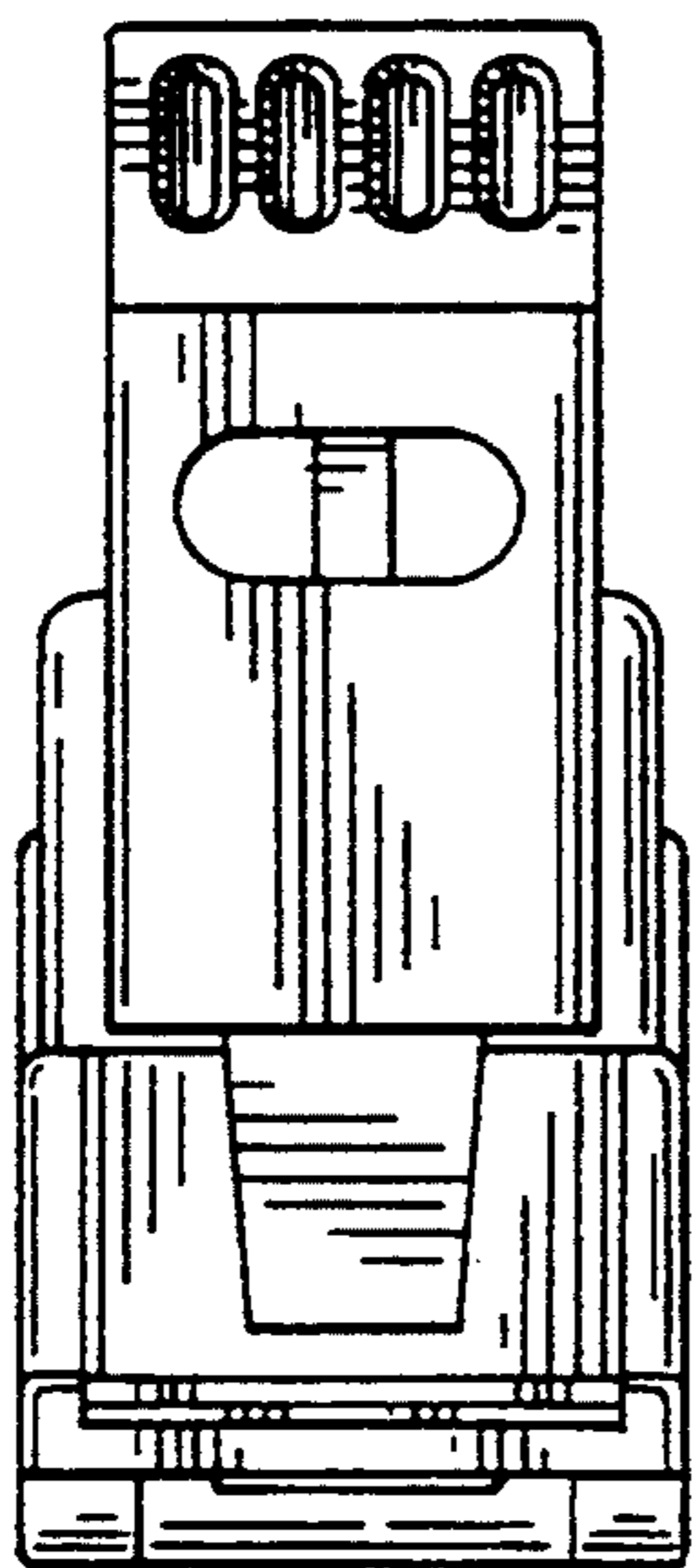


FIG. 4.

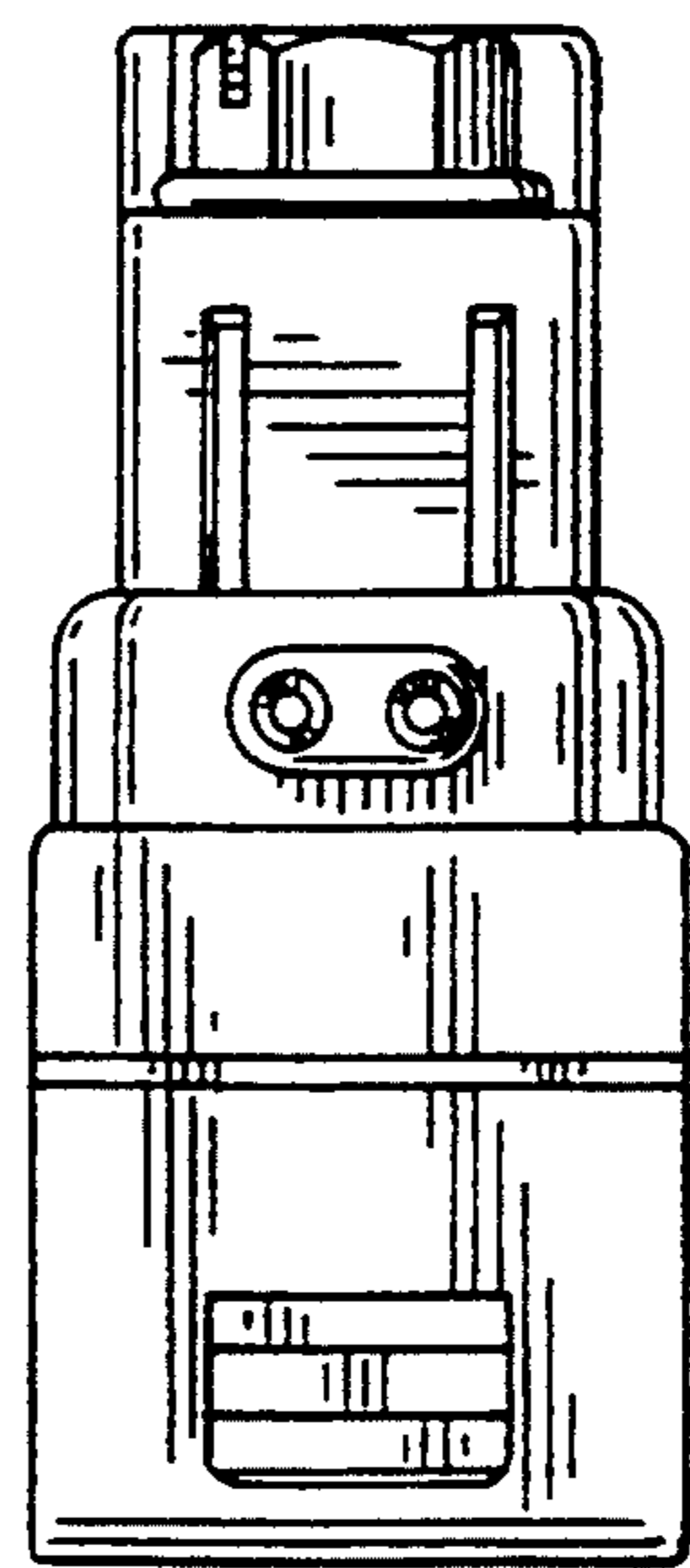


FIG. 5.

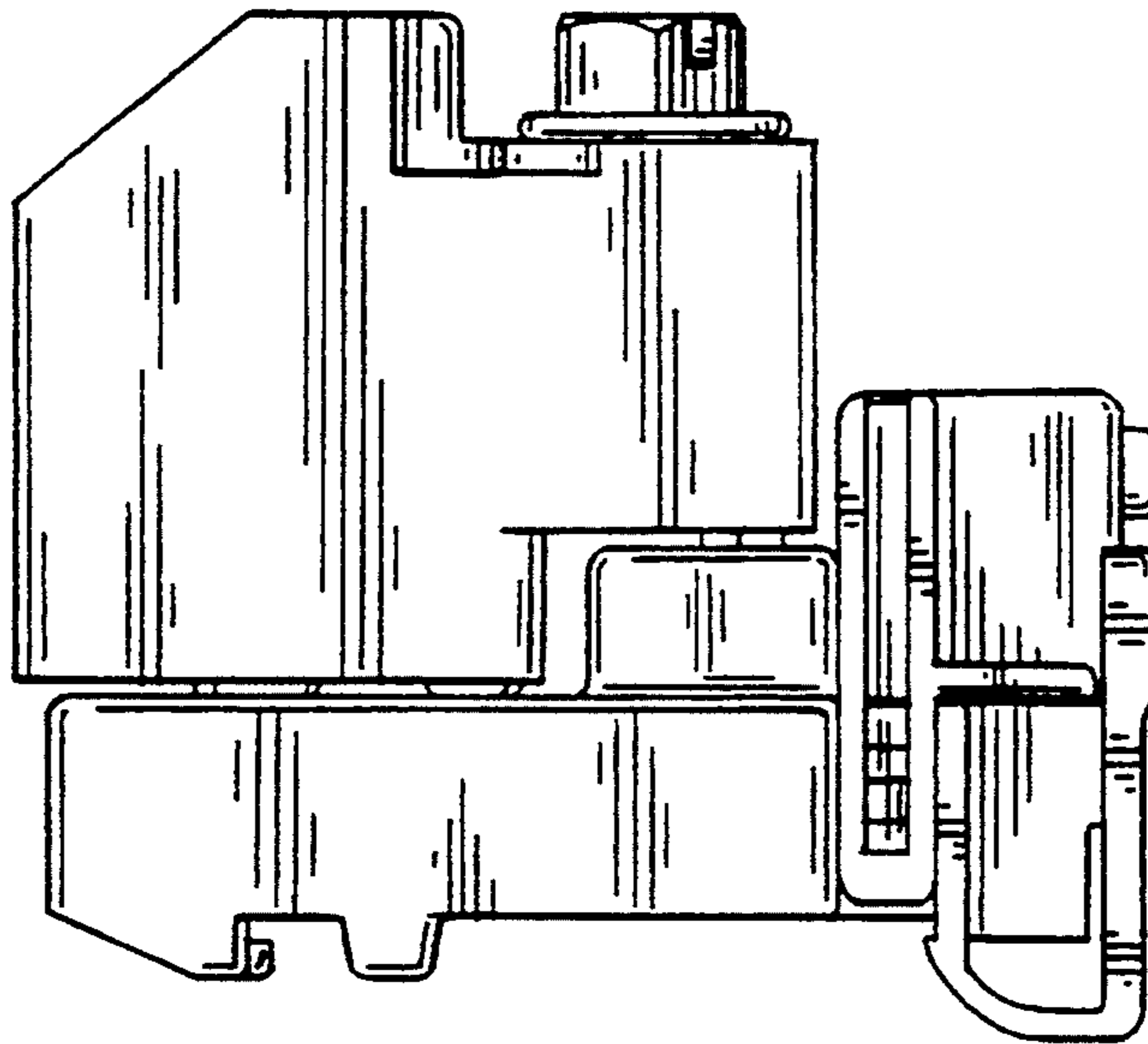


FIG. 6.

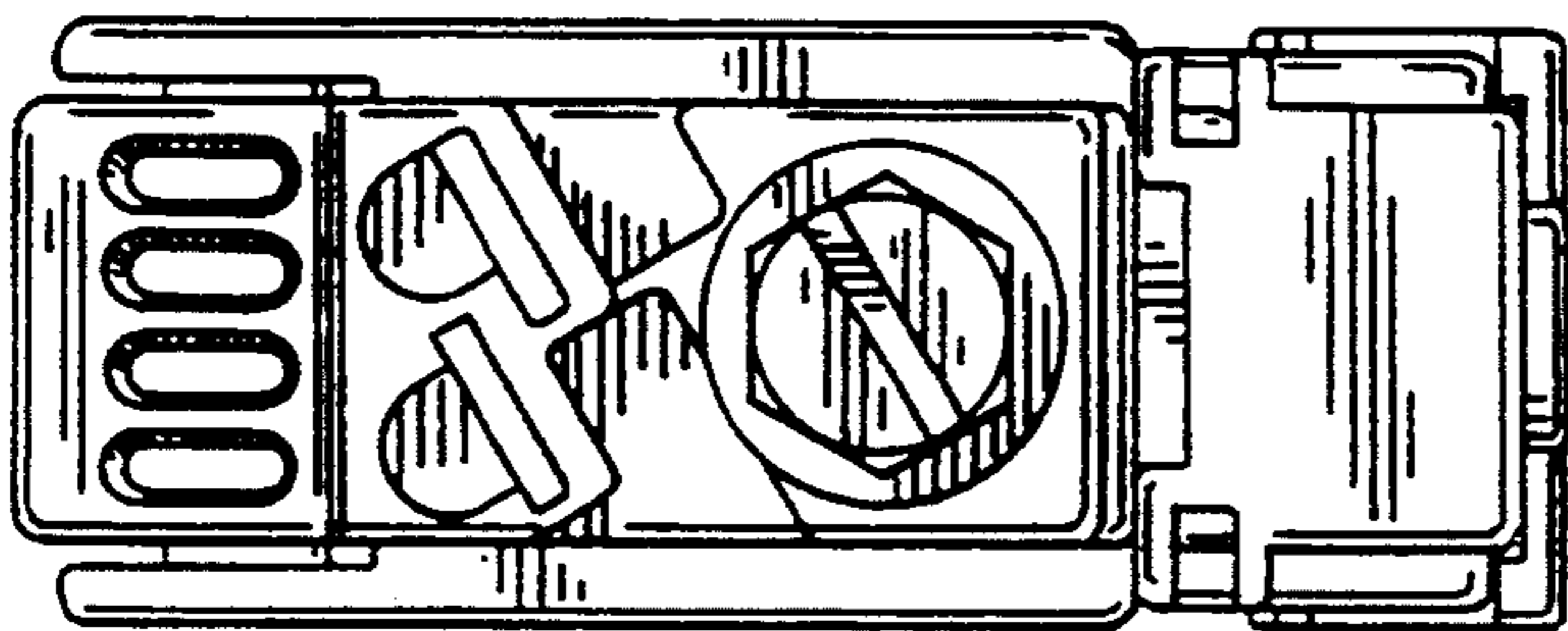


FIG. 7.

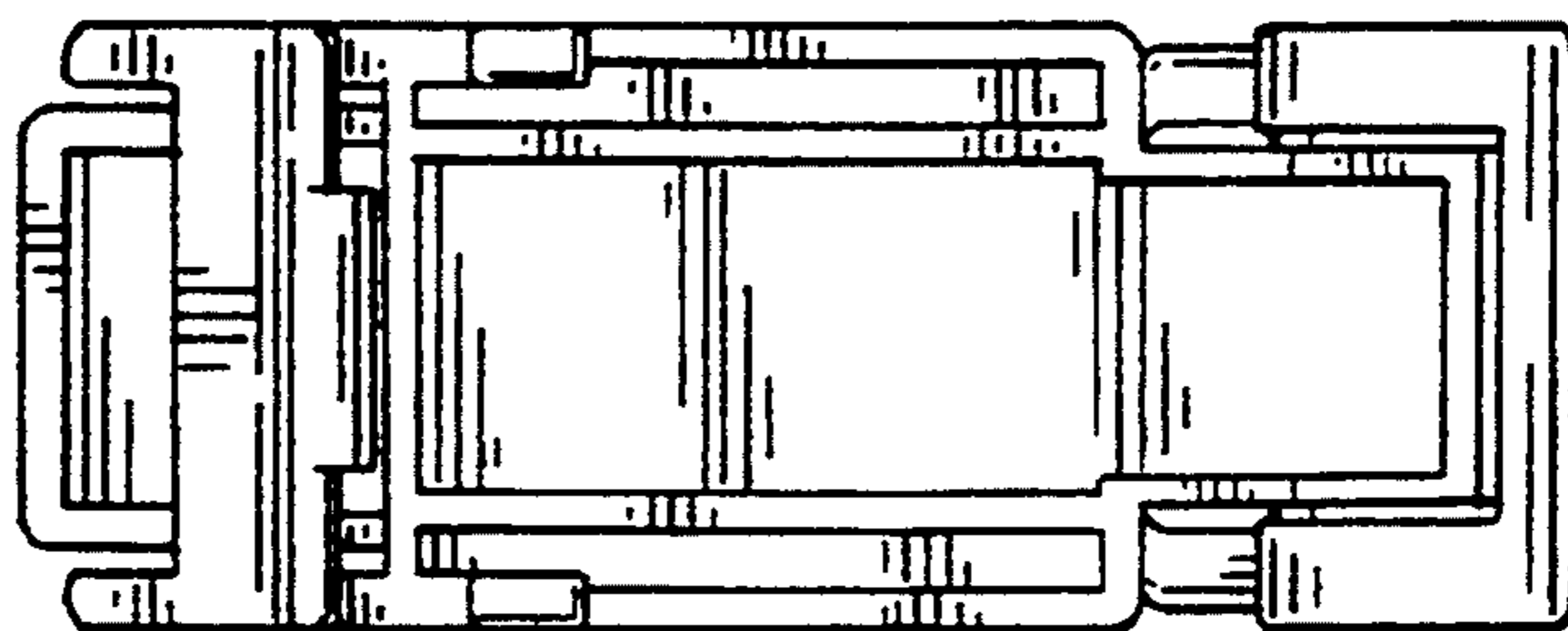


FIG. 8.