



US00D354938S

United States Patent [19]

[11] Patent Number: **Des. 354,938**

Remeyer

[45] Date of Patent: **** Jan. 31, 1995**

[54] **AUTOMOBILE CONVENIENCE TRAY**

[76] Inventor: **Steven Remeyer, 23052 Alicia Pkwy., Mission Viejo, Calif. 92692**

[**] Term: **14 Years**

[21] Appl. No.: **15,920**

[22] Filed: **Dec. 2, 1993**

[52] U.S. Cl. **D12/425; D3/315**

[58] Field of Search **D12/425, 419-424; 224/42.11, 42.42, 311, 273; 296/37.6, 156; D3/309-317; 206/202, 203, 349, 350, 372-375, 392, 557; D9/424**

[56] **References Cited**

U.S. PATENT DOCUMENTS

D. 279,618 7/1985 Walker D3/308

D. 309,059	7/1990	Bledsoe	D12/425
D. 326,409	5/1992	Krueger et al.	D9/424
D. 331,258	11/1992	Tarozzi	D3/315
D. 346,682	5/1994	Trovato	D3/315
4,834,243	5/1989	Langenbeck	206/557

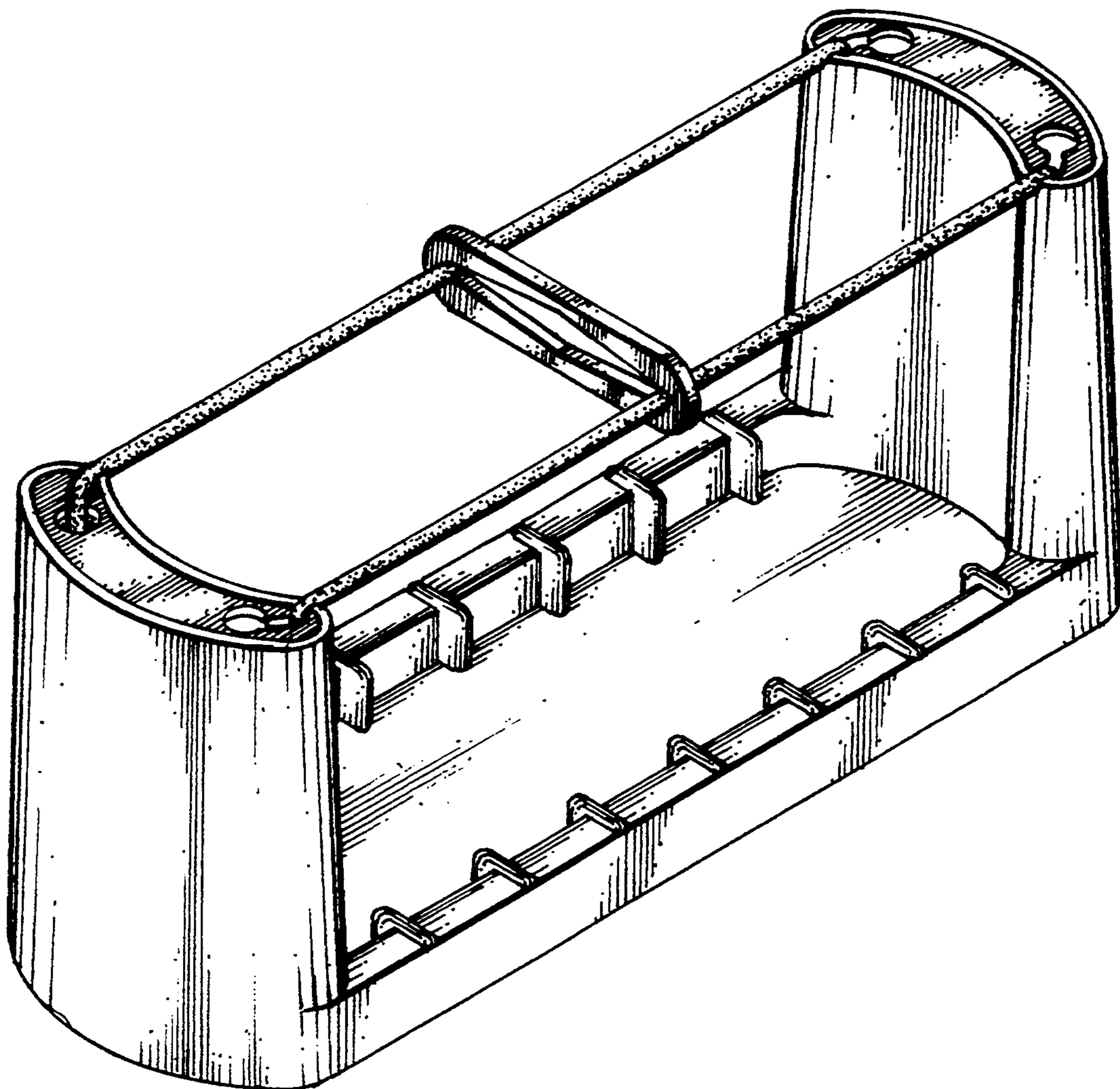
Primary Examiner—Wallace R. Burke
Assistant Examiner—M. Brown
Attorney, Agent, or Firm—Georges A. Maxwell

[57] CLAIM

The ornamental design for an automobile convenience tray, as shown and described.

DESCRIPTION

FIG. 1 is a top, front and side perspective view of an automobile convenience tray showing my new design, the opposite side is a mirror image of the side shown and rear is a mirror image of the front showing; and, FIG. 2 is a bottom view of the design.



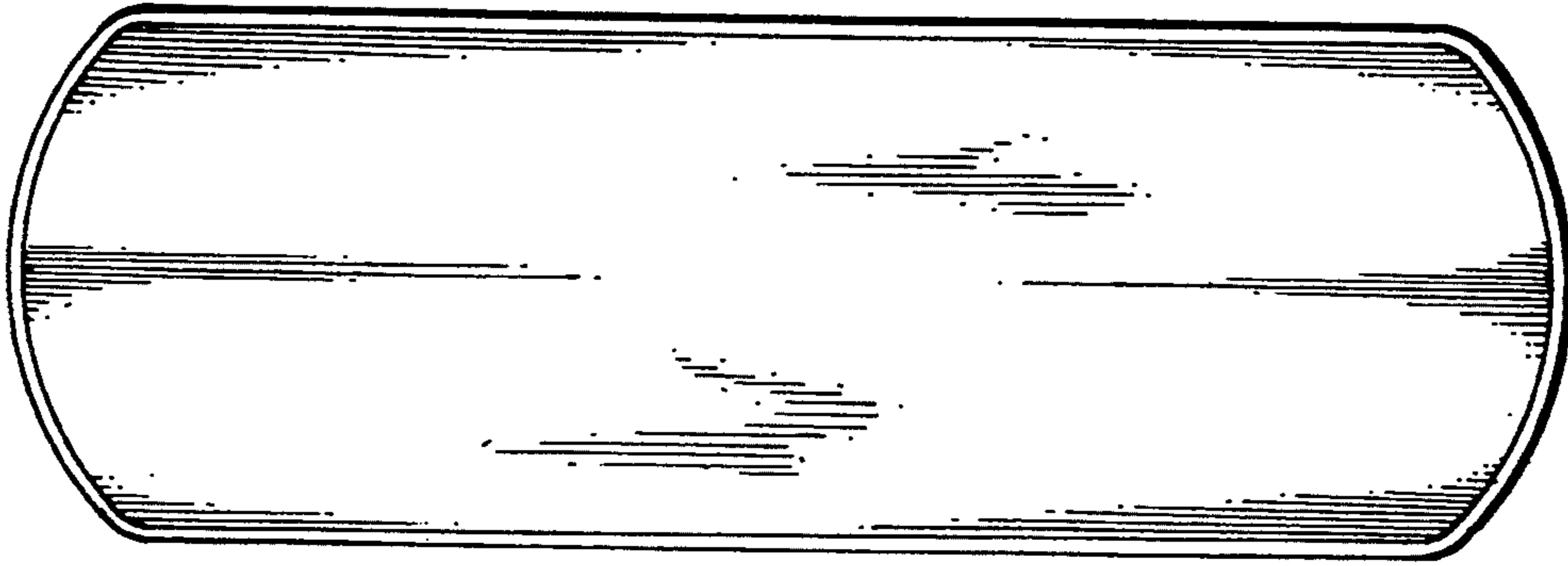


Fig. 2.

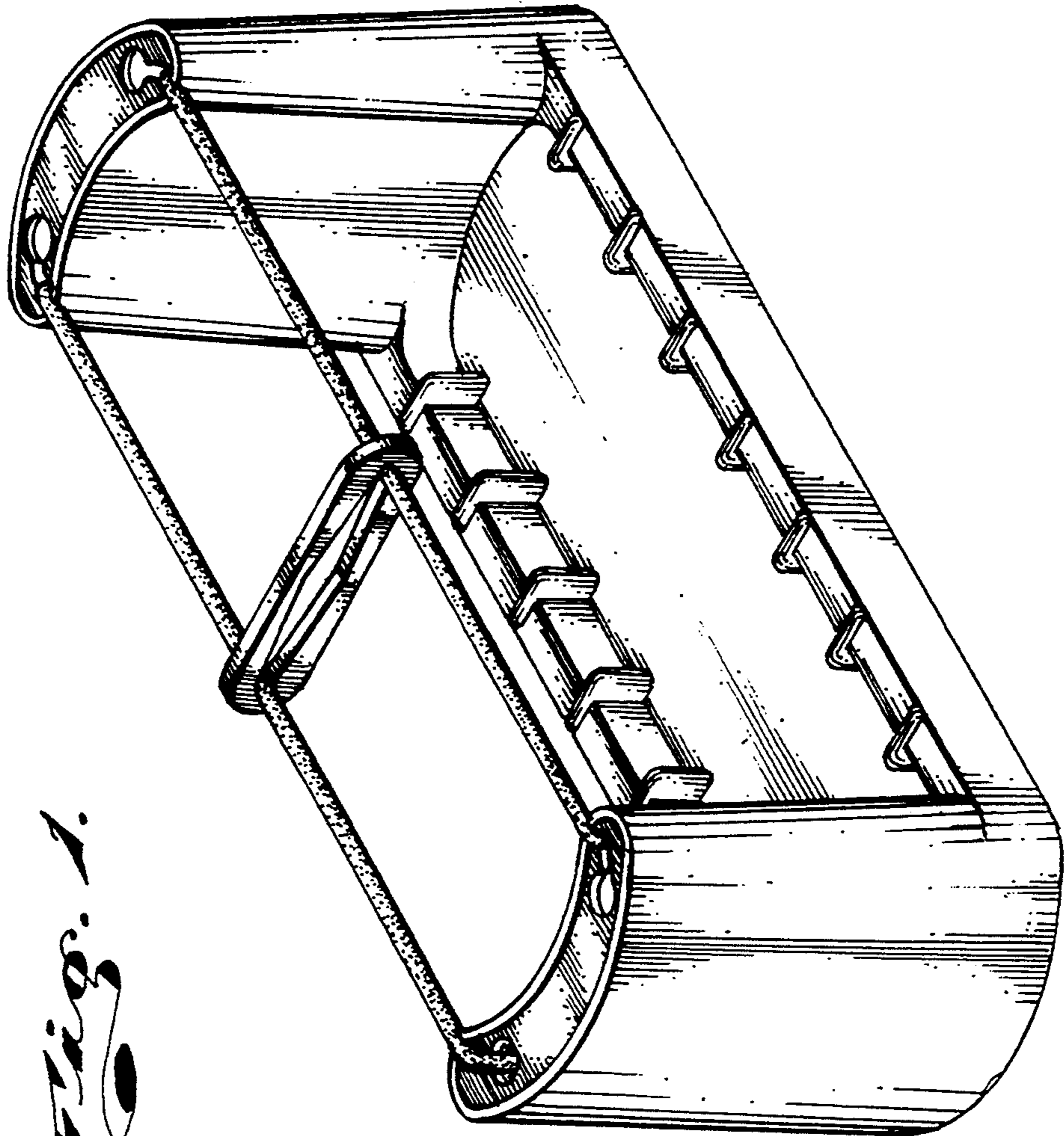


Fig. 1.