



US00D354921S

United States Patent [19]

[11] Patent Number: **Des. 354,921**

Narayanan

[45] Date of Patent: **** Jan. 31, 1995**

- [54] **LIQUID TEST METER**
- [75] Inventor: **Bhaskar Narayanan, Singapore, Singapore**
- [73] Assignee: **Eutech Cybernetics PTE. Ltd., Singapore, Singapore**
- [**] Term: **14 Years**
- [21] Appl. No.: **14,882**
- [22] Filed: **Nov. 2, 1993**
- [52] U.S. Cl. **D10/78; D10/57; D10/81**
- [58] Field of Search **D10/57, 78, 81; D24/216, 231, 232; 73/1 R; 204/400, 402, 403, 406, 407, 412, 416, 433, 153.12; 324/425; 340/825.15; 346/33 WL; 356/40; 364/134, 422, 481, 550, 556, DIG. 2; 395/200, 600; 422/61-63, 82.09; 436/66**

- 4,929,426 5/1990 Bodai et al. 422/63
- 5,096,669 3/1992 Lauks et al. 422/61
- 5,124,659 6/1992 Frola et al. 73/1 R X
- 5,227,984 7/1993 Meldrum et al. 364/550
- 5,316,727 5/1994 Suzuki et al. 356/40 X

OTHER PUBLICATIONS

Cole-Parmer Catalog 1991-1992, p. 15 and Cole Parmer Catalog 1987-1988, pp. 147, 442-444, 767-768, and 782.

Primary Examiner—Alan P. Douglas
Assistant Examiner—Antoine D. Davis
Attorney, Agent, or Firm—Fitch, Even, Tabin & Flannery

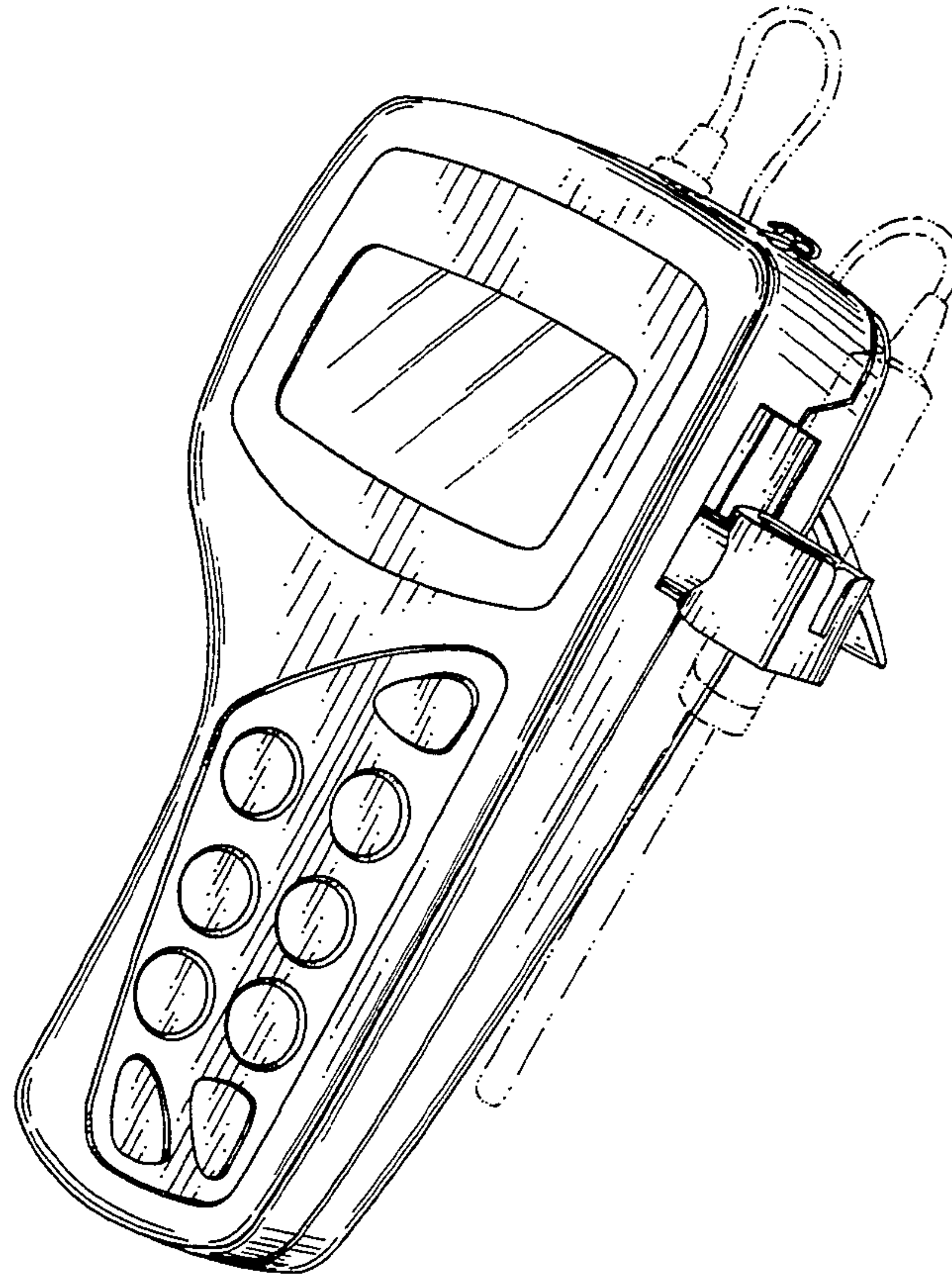
CLAIM

[57] The ornamental design for a liquid test meter, as shown and described.

DESCRIPTION

FIG. 1 is a perspective view of a liquid test meter showing my new design;
FIG. 2 is a front elevational view thereof;
FIG. 3 is a right hand side elevational view thereof;
FIG. 4 is a bottom plan view thereof;
FIG. 5 is a top plan view thereof;
FIG. 6 is a rear elevational view thereof; and,
FIG. 7 is a left hand side elevational view thereof.
The broken line showing of an electrode and connecting cable are for illustrative purposes only and forms no part of the claimed design.

- [56] **References Cited**
- U.S. PATENT DOCUMENTS**
- D. 240,635 7/1976 Peterson D10/78 X
- D. 289,617 5/1987 Yajima D10/78
- D. 297,513 9/1988 Tetrauh et al. D10/78 X
- D. 332,227 1/1993 Kaneko D10/78
- D. 333,992 3/1993 Anderson D10/81
- D. 336,444 6/1993 Anderson et al. D10/81
- D. 346,123 4/1994 Narayanan D10/78 X
- D. 346,753 5/1994 Baebookles, Jr. et al. D10/78 X
- D. 347,590 6/1994 Schwan D10/78



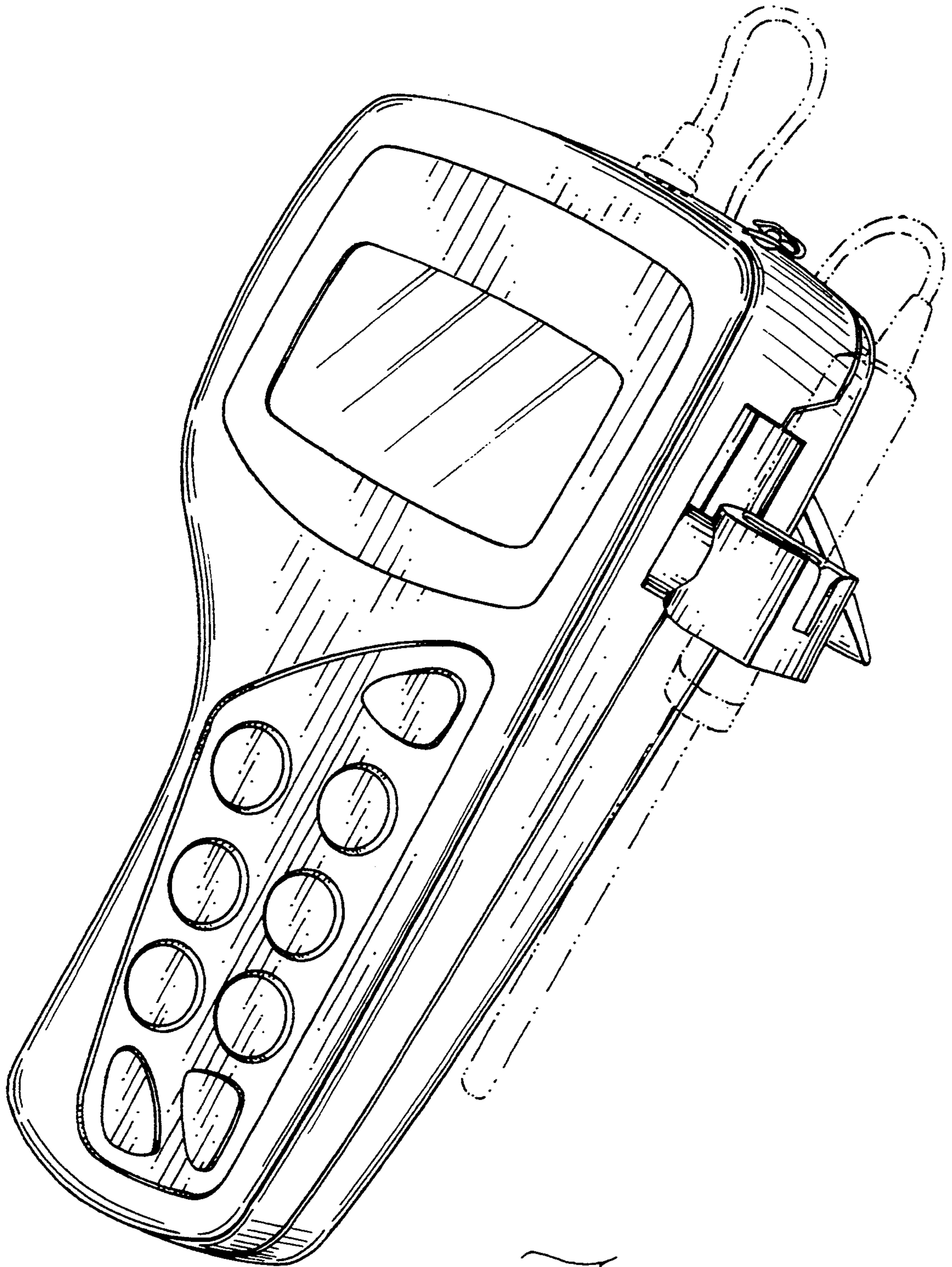


Fig. 1

Fig. 2

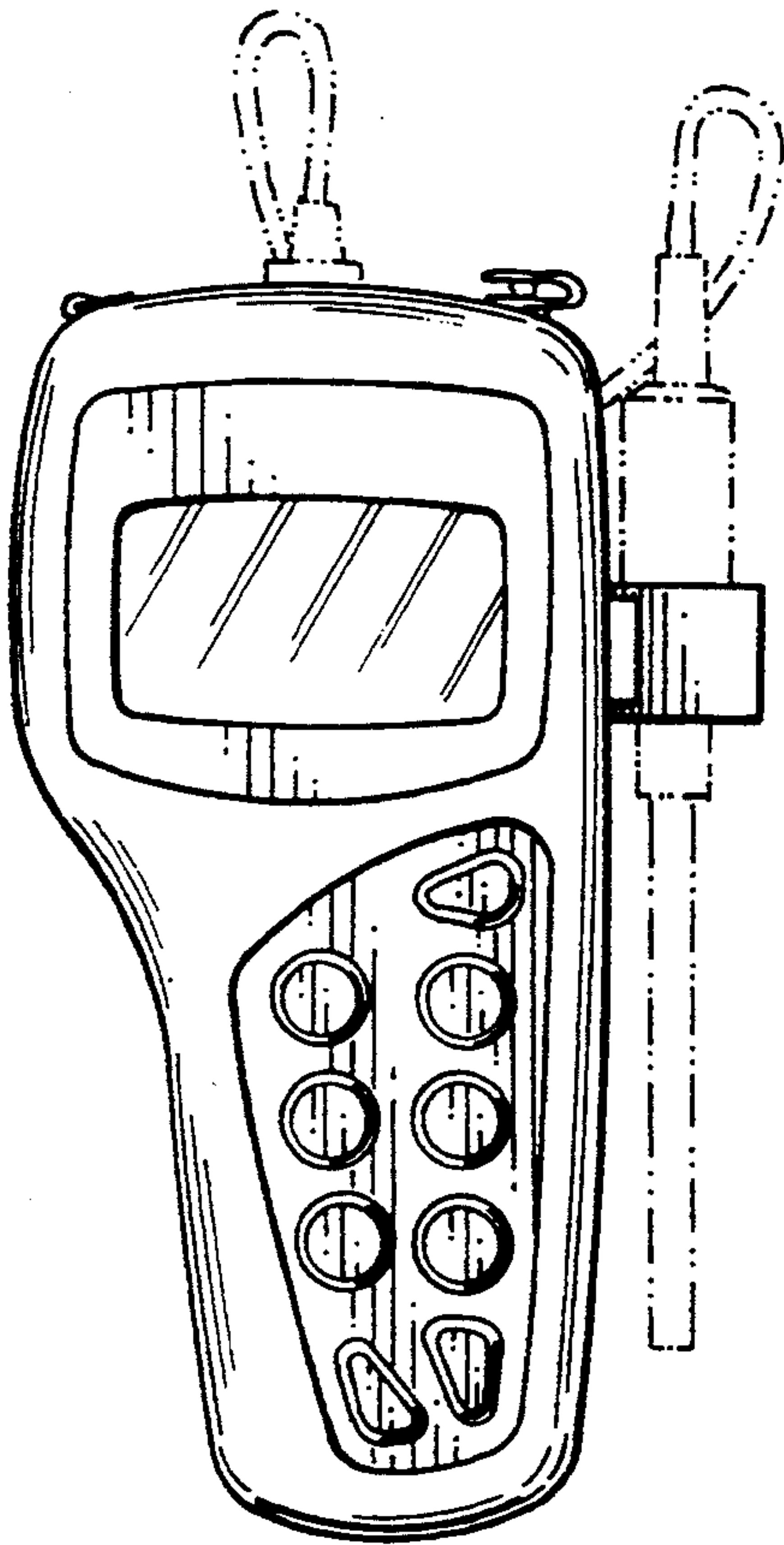


Fig. 3

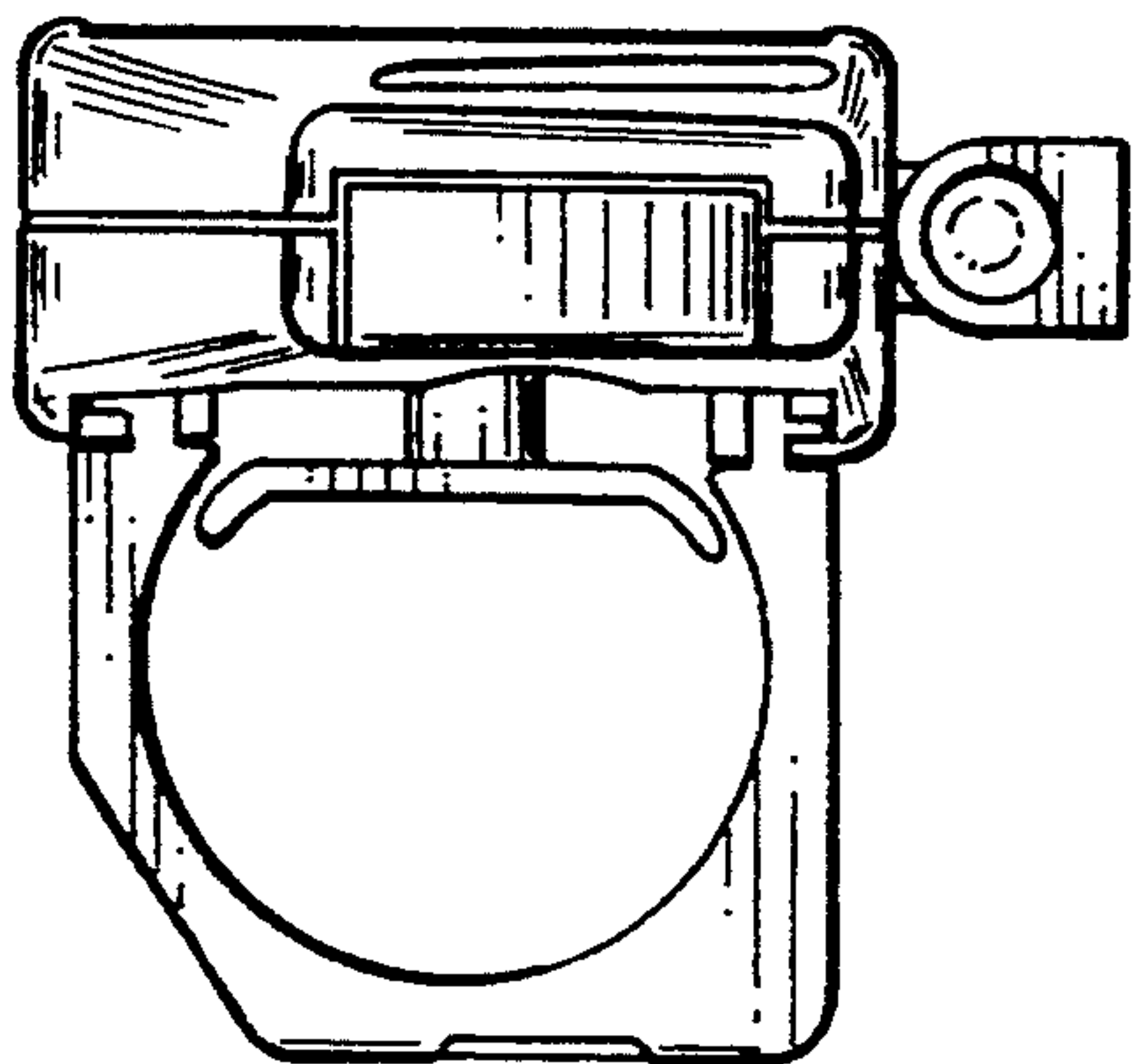
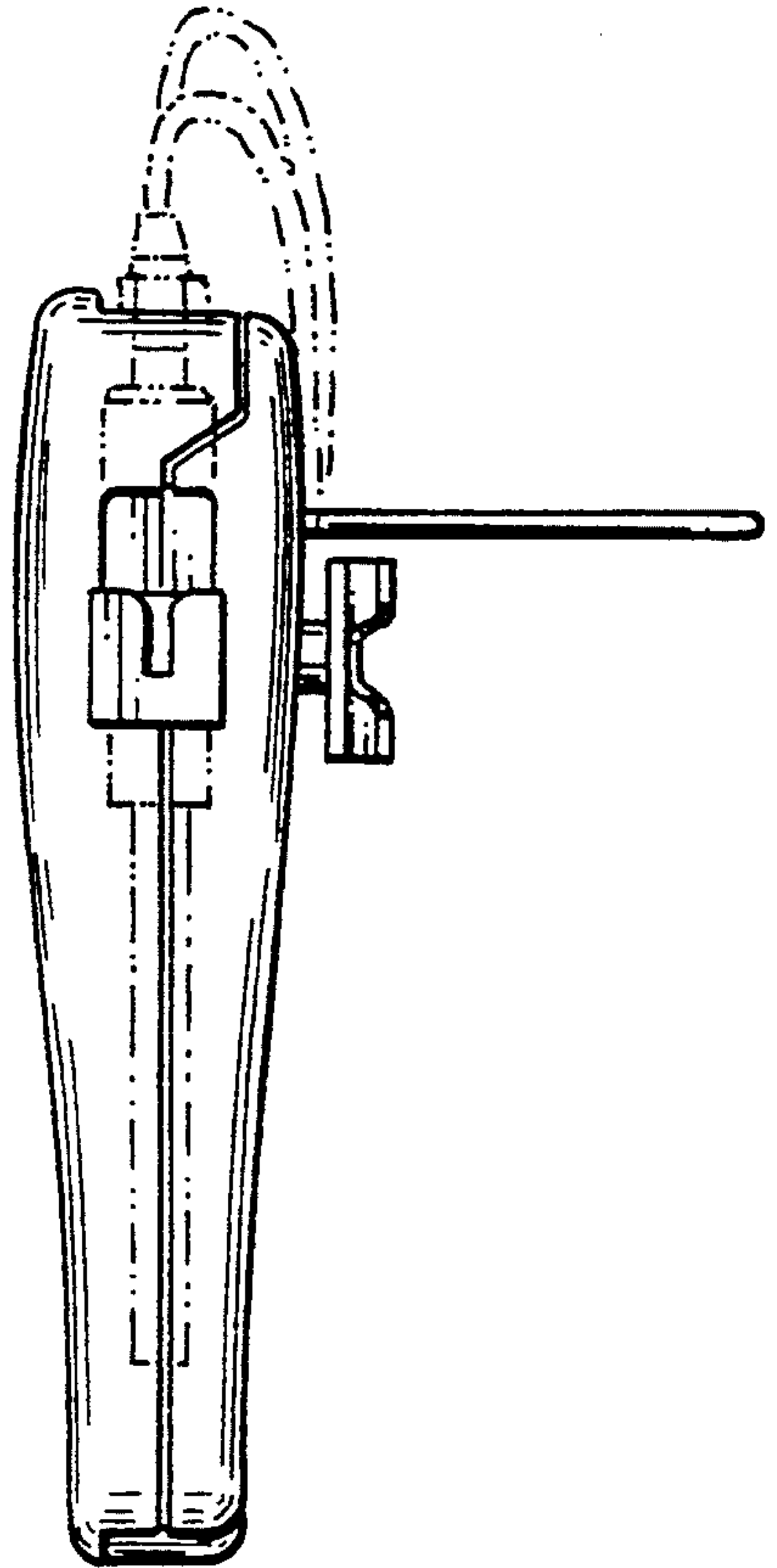


Fig. 4

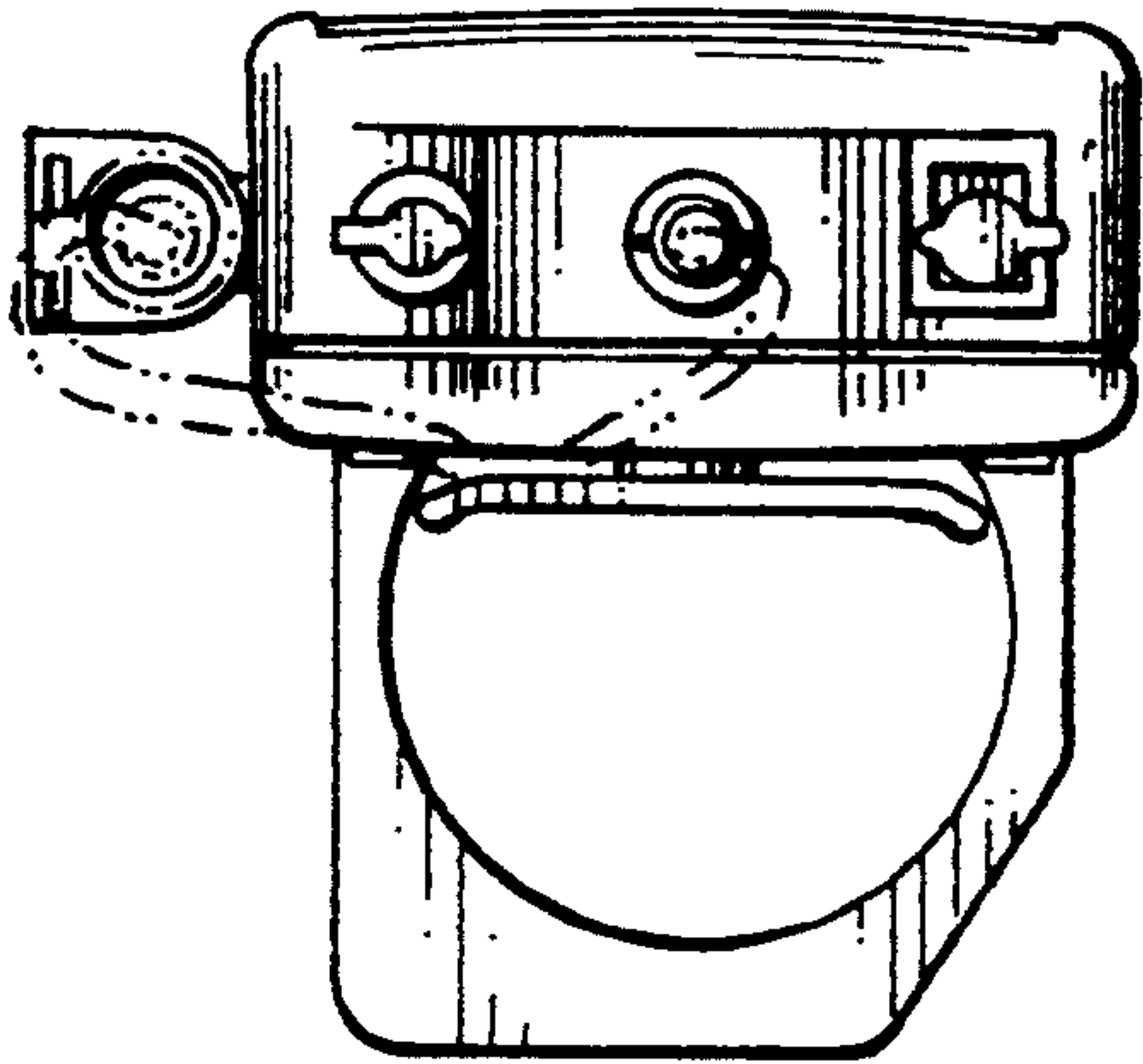


Fig. 5

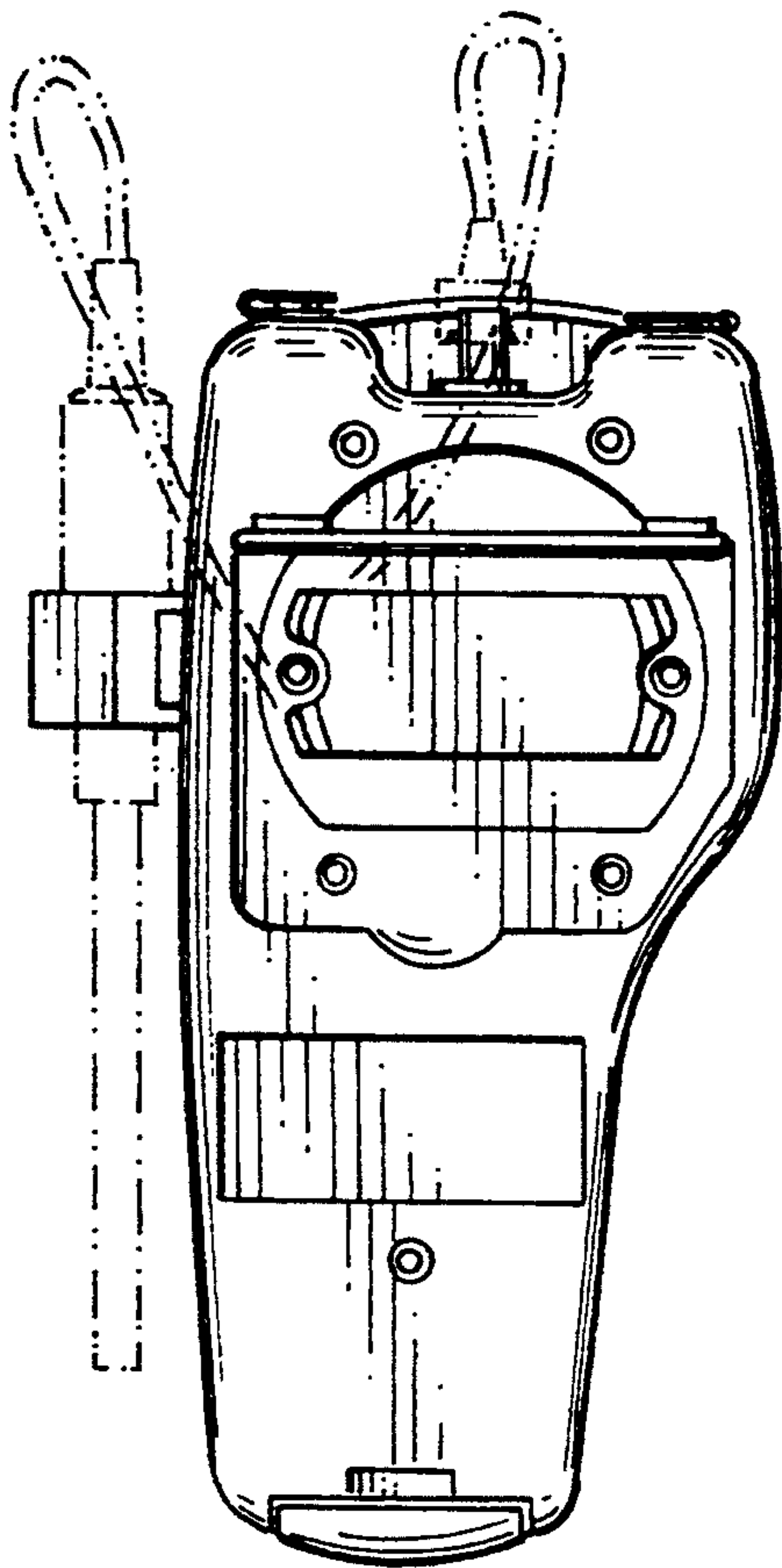


Fig. 6

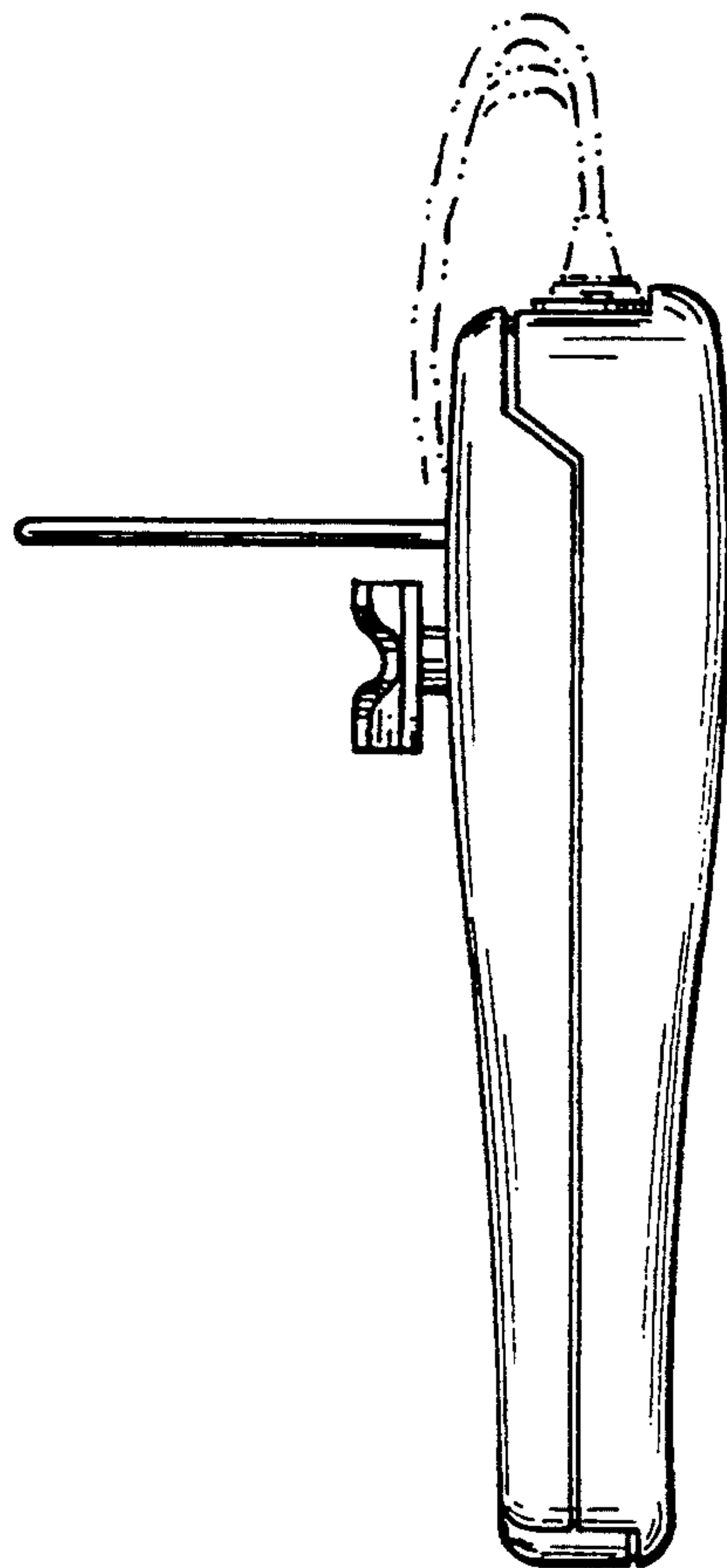


Fig. 7