



US00D354913S

United States Patent [19]

[11] Patent Number: **Des. 354,913**

Pezzoli et al.

[45] Date of Patent: **** Jan. 31, 1995**

[54] BOTTLE

[56] References Cited

[75] Inventors: **Paul A. Pezzoli**, Topeka, Kans.;
Thomas D. Loughrin, Columbus,
Ohio; **James C. Lierman**, Lake Bluff,
Ill.

U.S. PATENT DOCUMENTS

D. 255,989	7/1980	Lipsz	D9/504
D. 278,751	5/1985	Seager	D9/500 X
D. 335,450	5/1993	Pezzoli et al.	D9/500
3,645,262	2/1972	Harrigan	128/222
4,827,951	5/1989	Grussmark	132/314
4,832,917	5/1989	Elliott	215/1 R
4,923,088	5/1990	Tanaka et al.	215/1 R

[73] Assignee: **Abbott Laboratories**, Abbott Park,
Ill.

Primary Examiner—Bernard Ansher
Assistant Examiner—Lucy Lieberman
Attorney, Agent, or Firm—Lonnie R. Drayer; Donald O.
Nickey

[*] Notice: The portion of the term of this patent
subsequent to May 11, 2007 has been
disclaimed.

[**] Term: **14 Years**

[57] CLAIM

The ornamental design for a bottle, as shown.

[21] Appl. No.: **3,818**

DESCRIPTION

[22] Filed: **Jan. 19, 1993**

FIG. 1 is a perspective view of a bottle showing our
new design;

Related U.S. Application Data

[63] Continuation-in-part of Ser. No. 626,875, Dec. 13,
1990, Pat. No. Des. 335,450.

[52] U.S. Cl. **D9/500; D9/538;**
D9/547; D9/548

[58] Field of Search **D9/500, 503, 547, 548,**
D9/538, 539, 537, 504, 540, 558; 215/1 R, 1 C;
D24/197, 224

FIG. 2 is a front elevation view thereof;

FIG. 3 is a rear elevation view thereof;

FIG. 4 is a top plan view thereof;

FIG. 5 is a bottom plan view thereof;

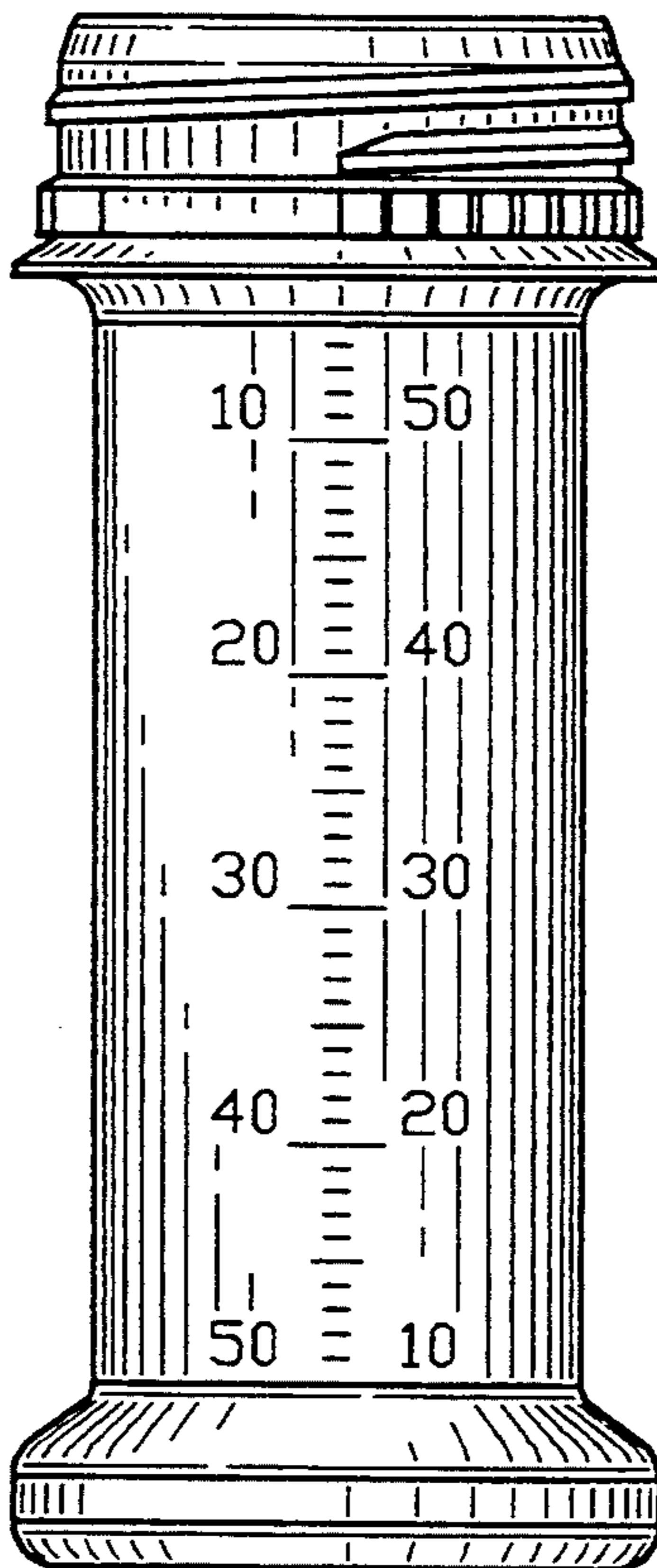
FIG. 6 is a perspective view of a bottle showing a sec-
ond embodiment of our new design;

FIG. 7 is a front elevation view thereof;

FIG. 8 is a rear elevation view thereof;

FIG. 9 is a top plan view thereof; and,

FIG. 10 is a bottom plan view thereof.



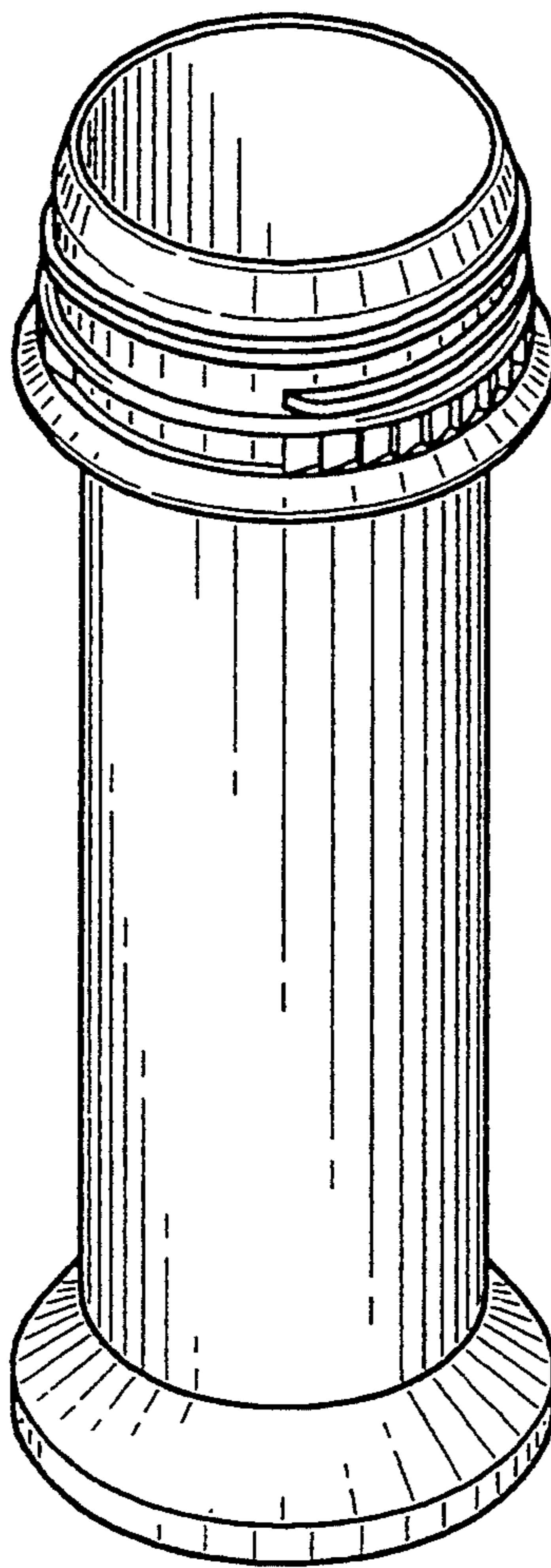


FIG-1

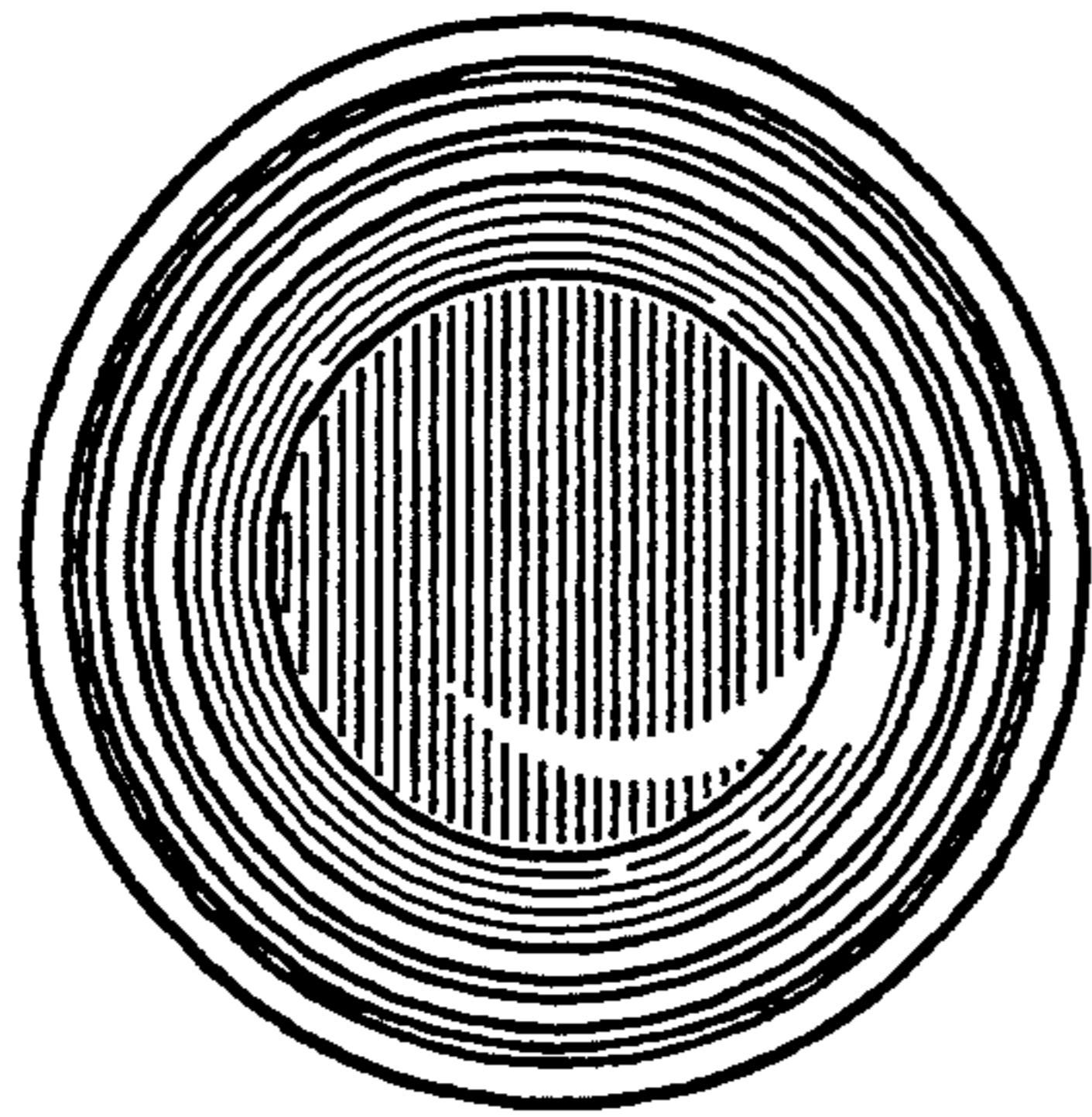


FIG-4

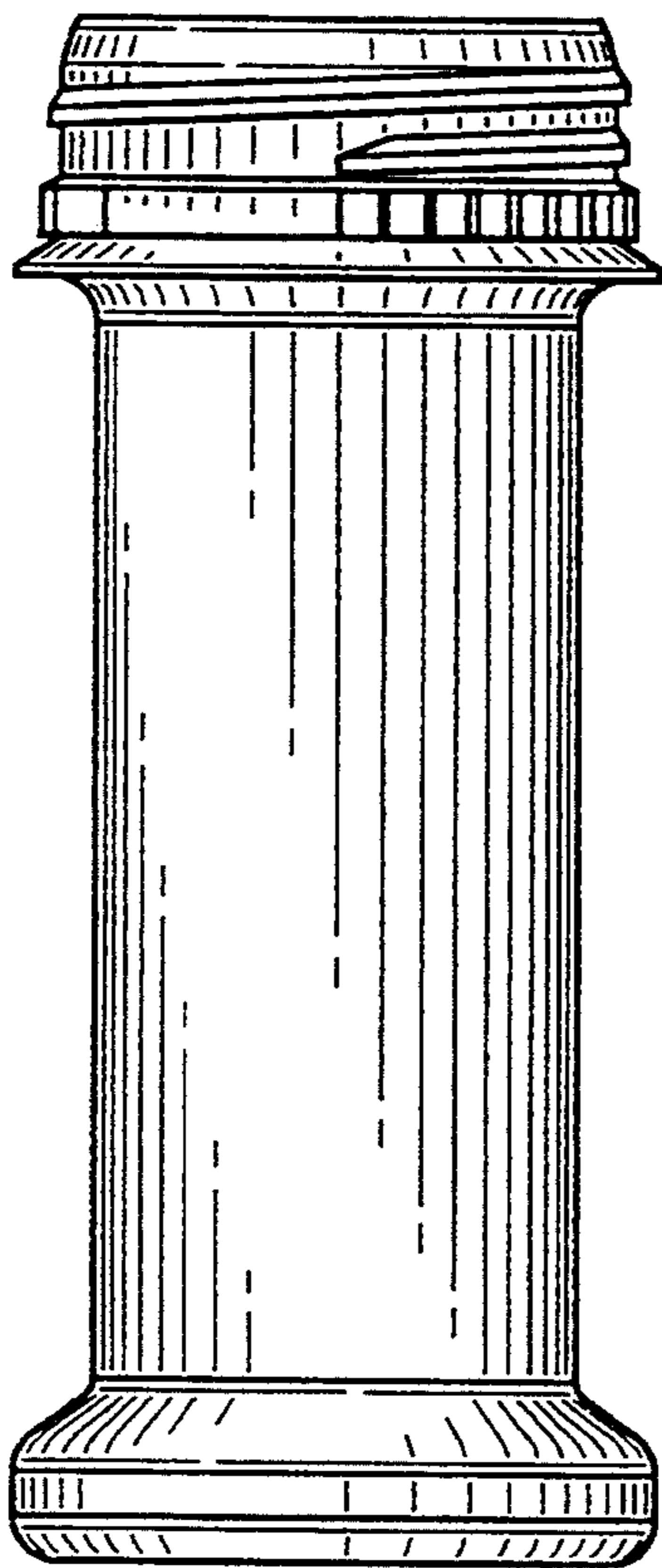


FIG-2

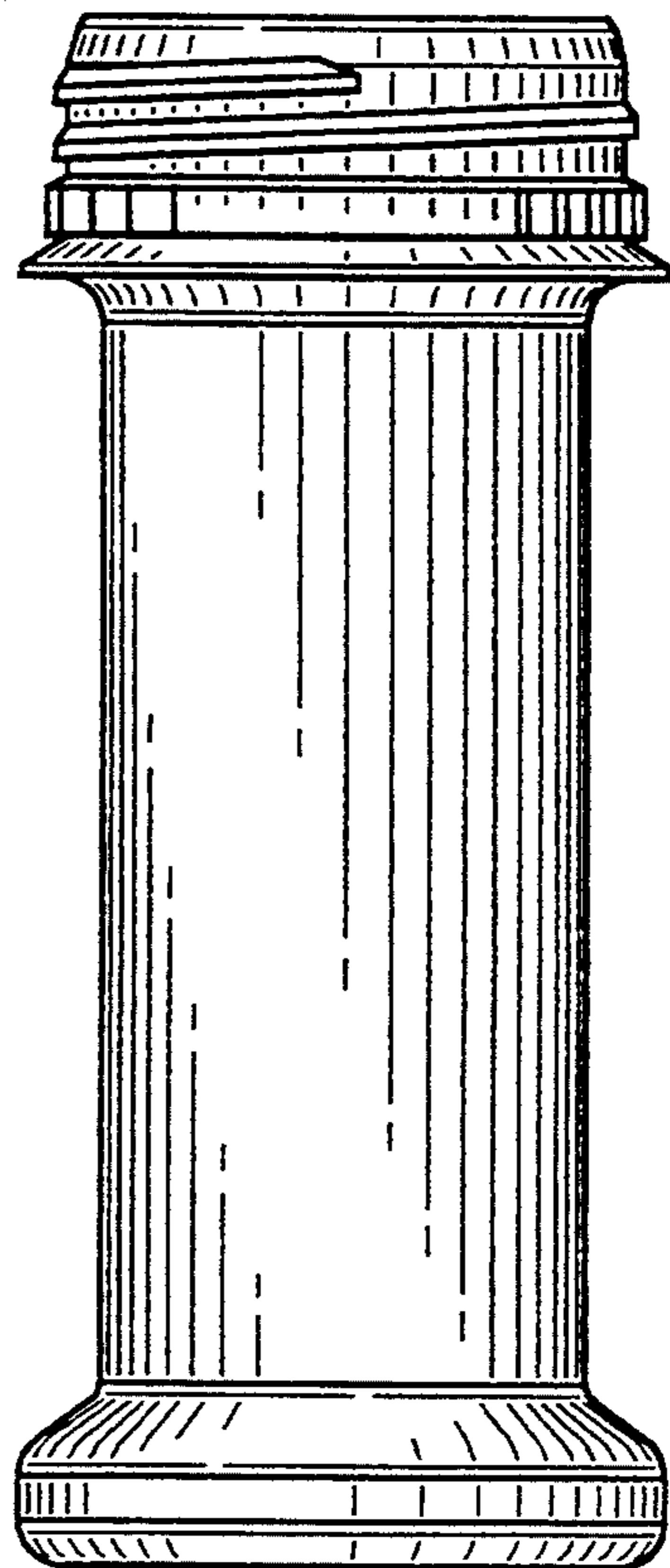


FIG-3

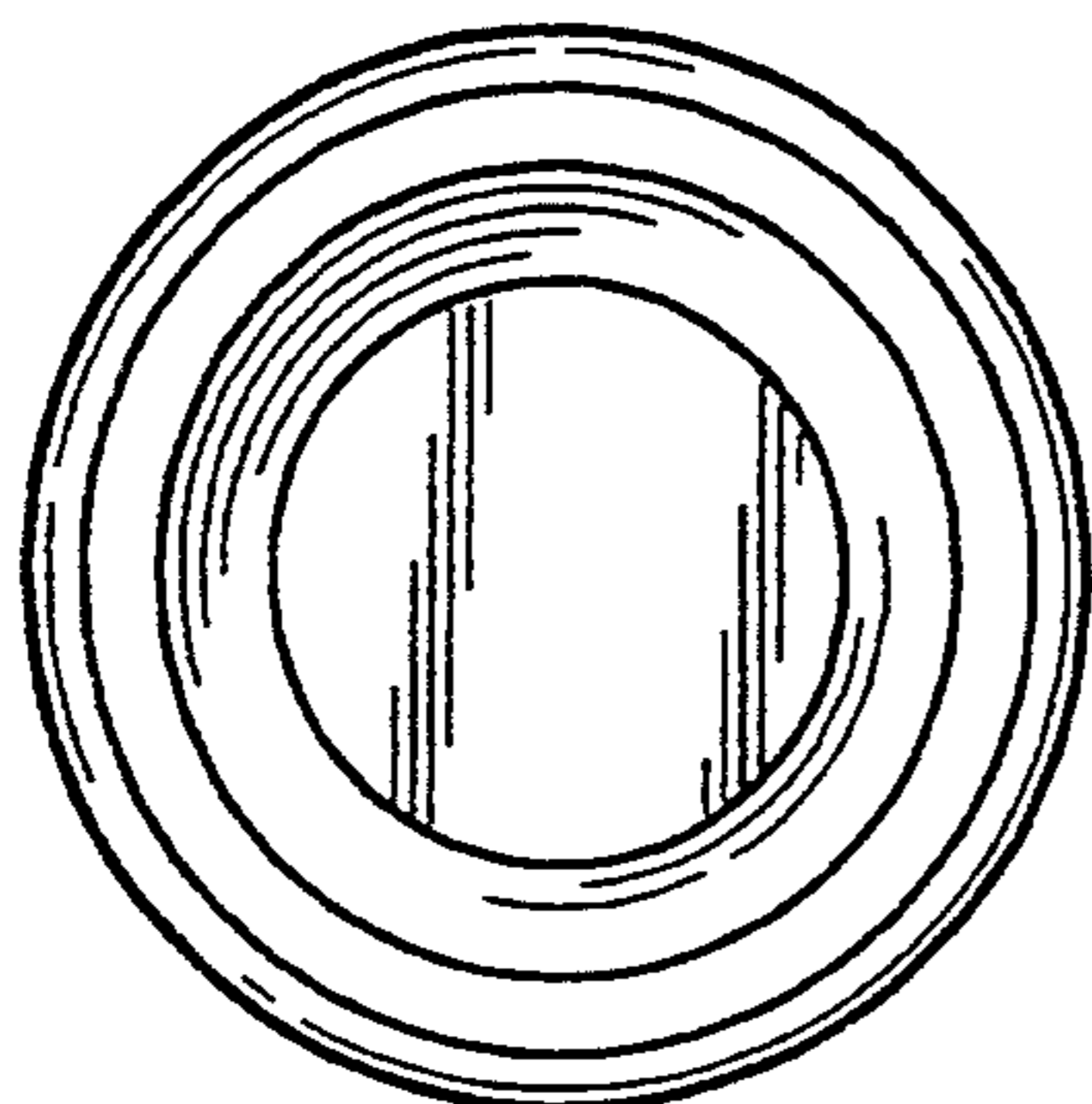


FIG-5

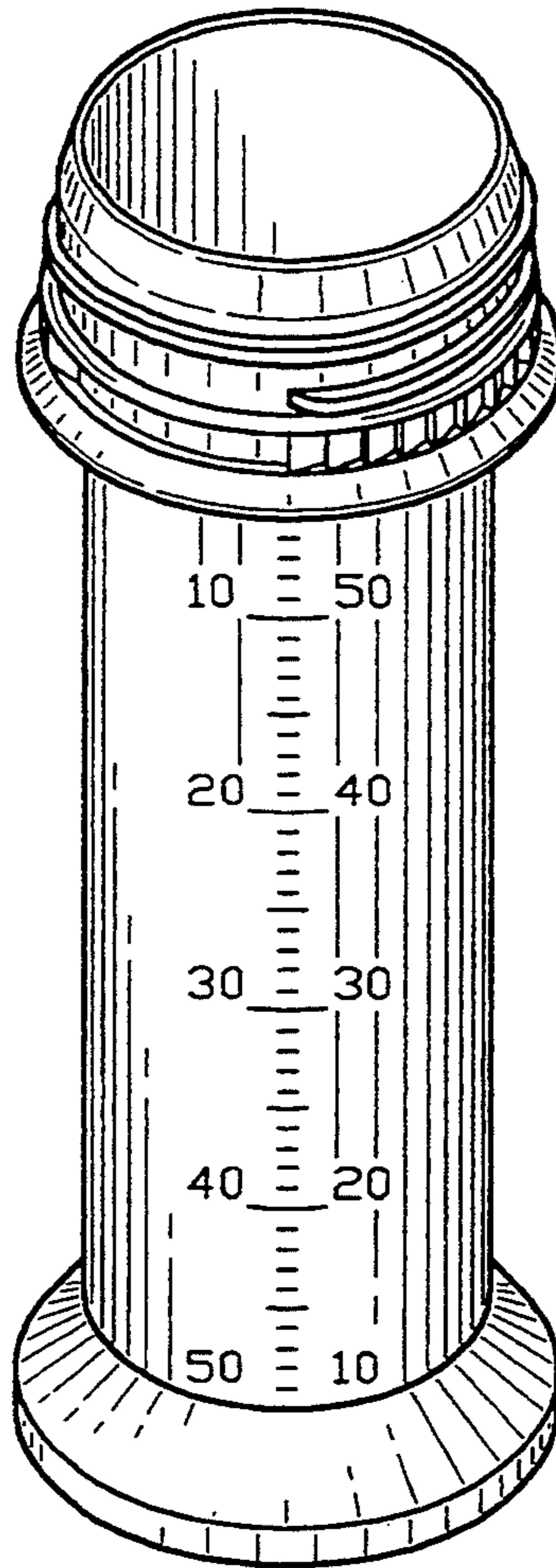


FIG-6

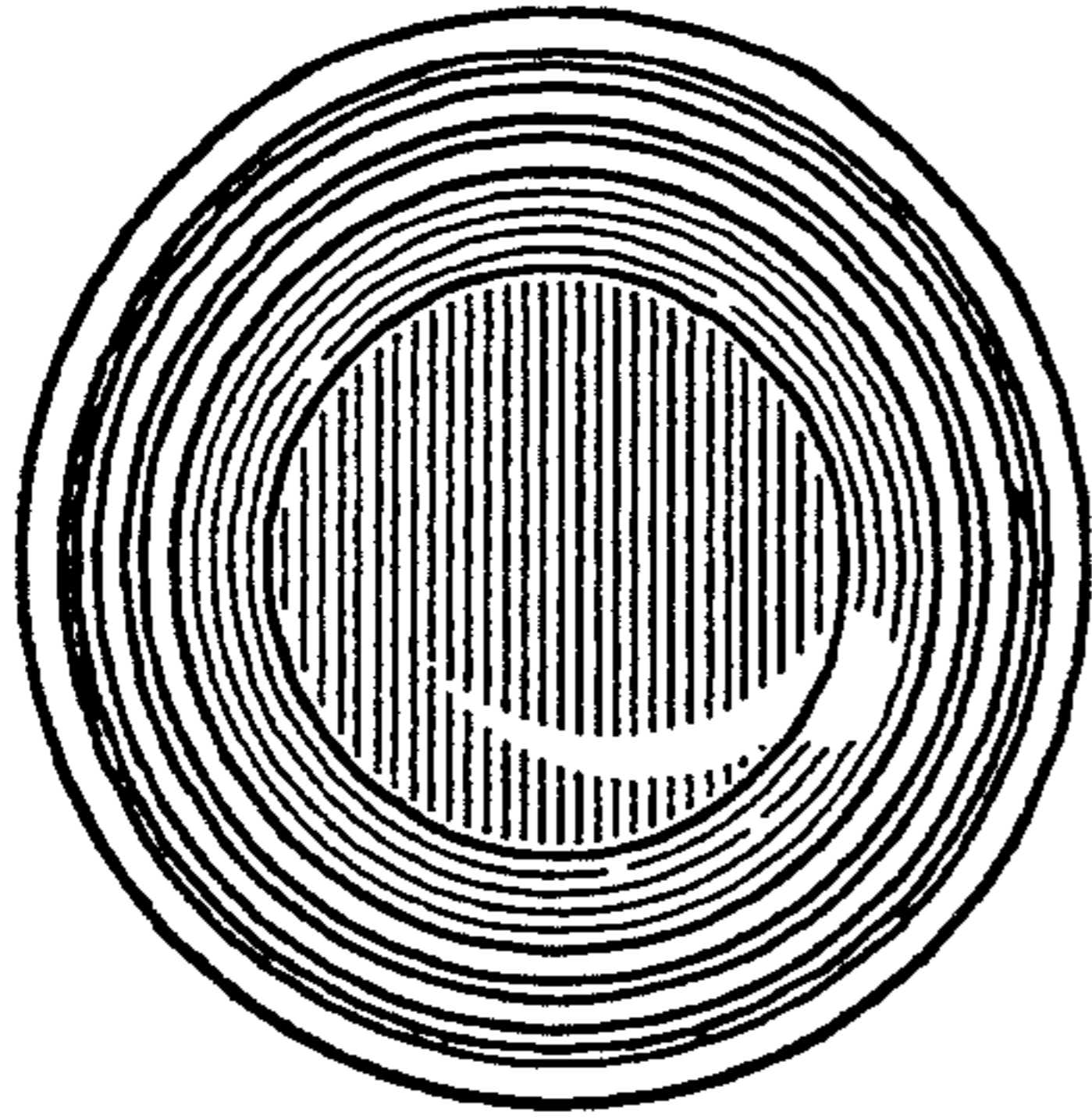


FIG-9

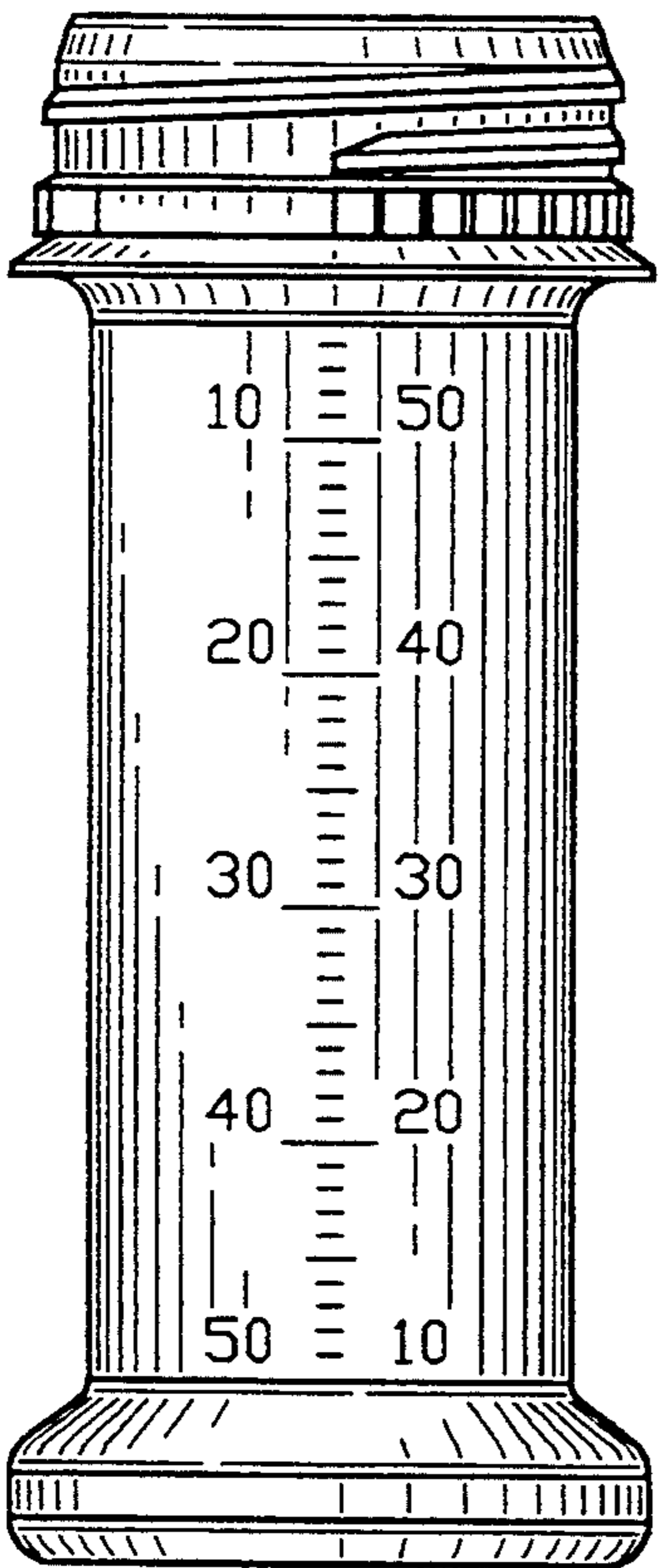


FIG-7

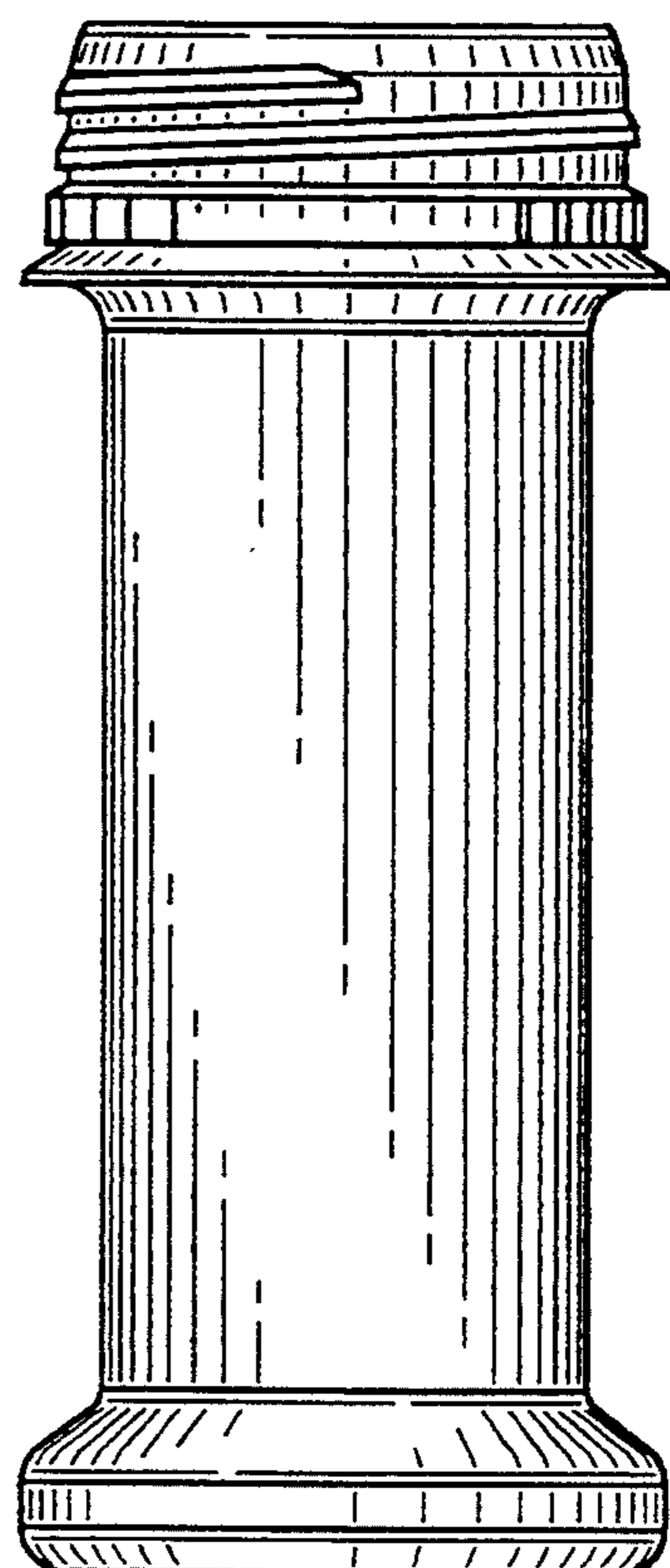


FIG-8

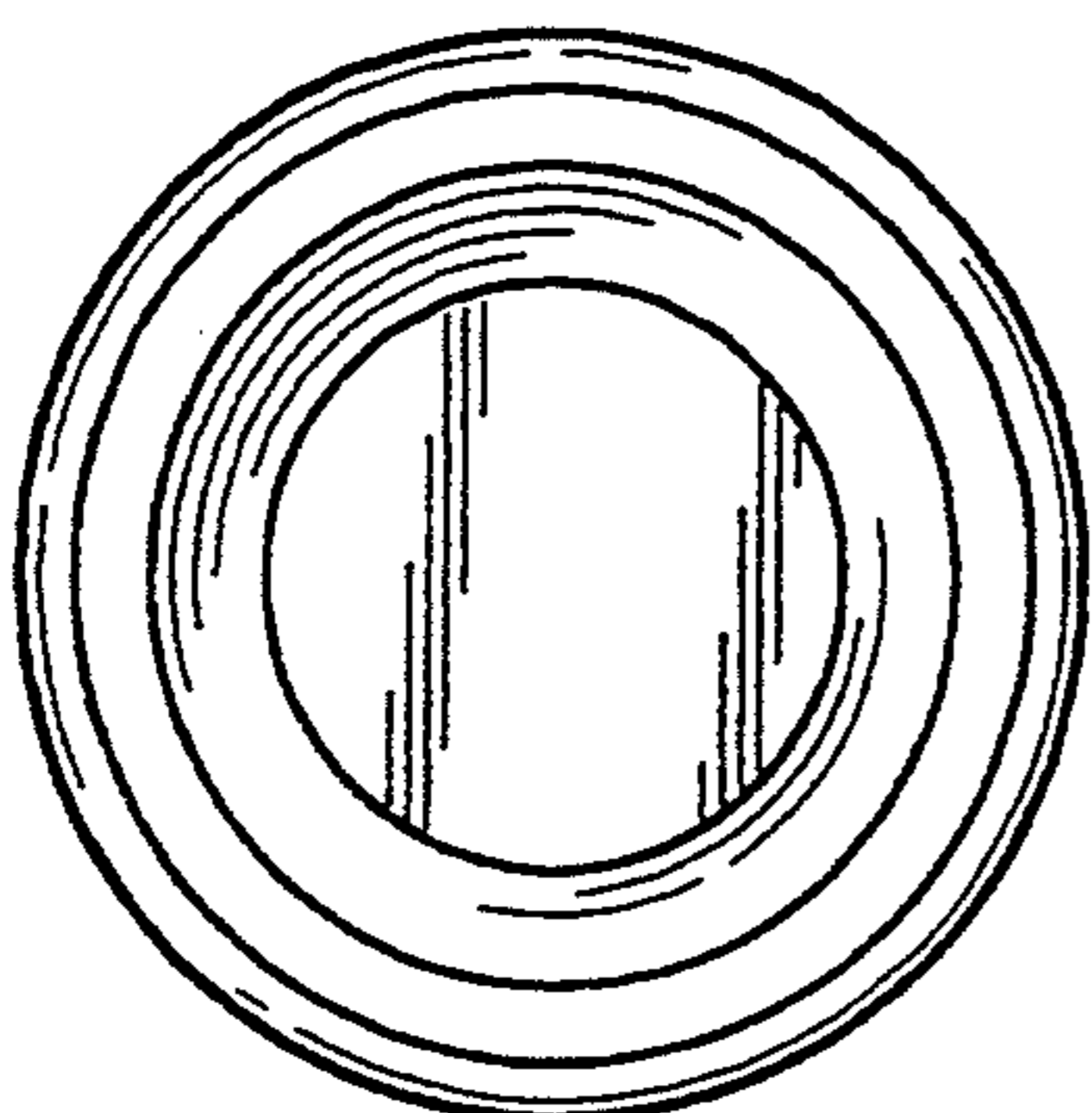


FIG-10