



US00D354902S

United States Patent [19]

[11] Patent Number: **Des. 354,902**

Harris

[45] Date of Patent: **** Jan. 31, 1995**

[54] DOOR HINGE FOR UTILITY VEHICLES

[76] Inventor: **Ryan R. Harris**, 1812 Navy St., Santa Monica, Calif. 90405

[**] Term: **14 Years**

[21] Appl. No.: **2,232**

[22] Filed: **Dec. 4, 1992**

[52] U.S. Cl. **D8/323**

[58] Field of Search **D8/323; D12/196; 16/221, 386, 319, 387; 296/202**

[56] **References Cited**

U.S. PATENT DOCUMENTS

- 4,665,586 5/1987 Kinaga et al. 16/319
- 4,881,298 11/1989 Turnbull 292/202
- 4,932,101 6/1990 Lualdi 16/387

FOREIGN PATENT DOCUMENTS

1524075 9/1978 United Kingdom 16/387

Primary Examiner—B. J. Bullock

Attorney, Agent, or Firm—Timothy T. Tyson

[57] **CLAIM**

The ornamental design for a door hinge for utility vehicles, as shown and described.

DESCRIPTION

FIG. 1 is a top plan view of a door hinge for utility vehicles showing my new design;
 FIG. 2 is a left side elevational view, the right side elevational view being the mirror image thereof without the mirror holder;
 FIG. 3 is a bottom plan view thereof; and,
 FIG. 4 is a rear elevational view, the front elevational view being the mirror image thereof without the hinge tab.

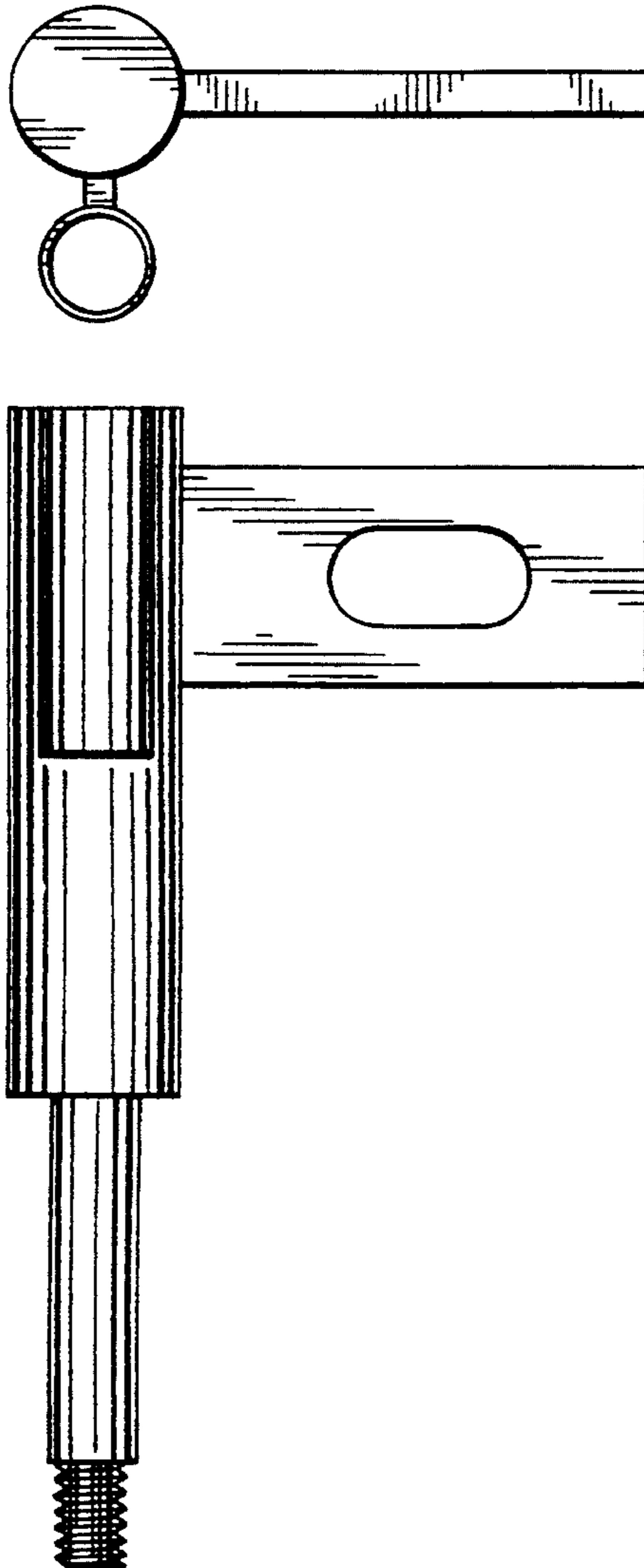


FIG. 1

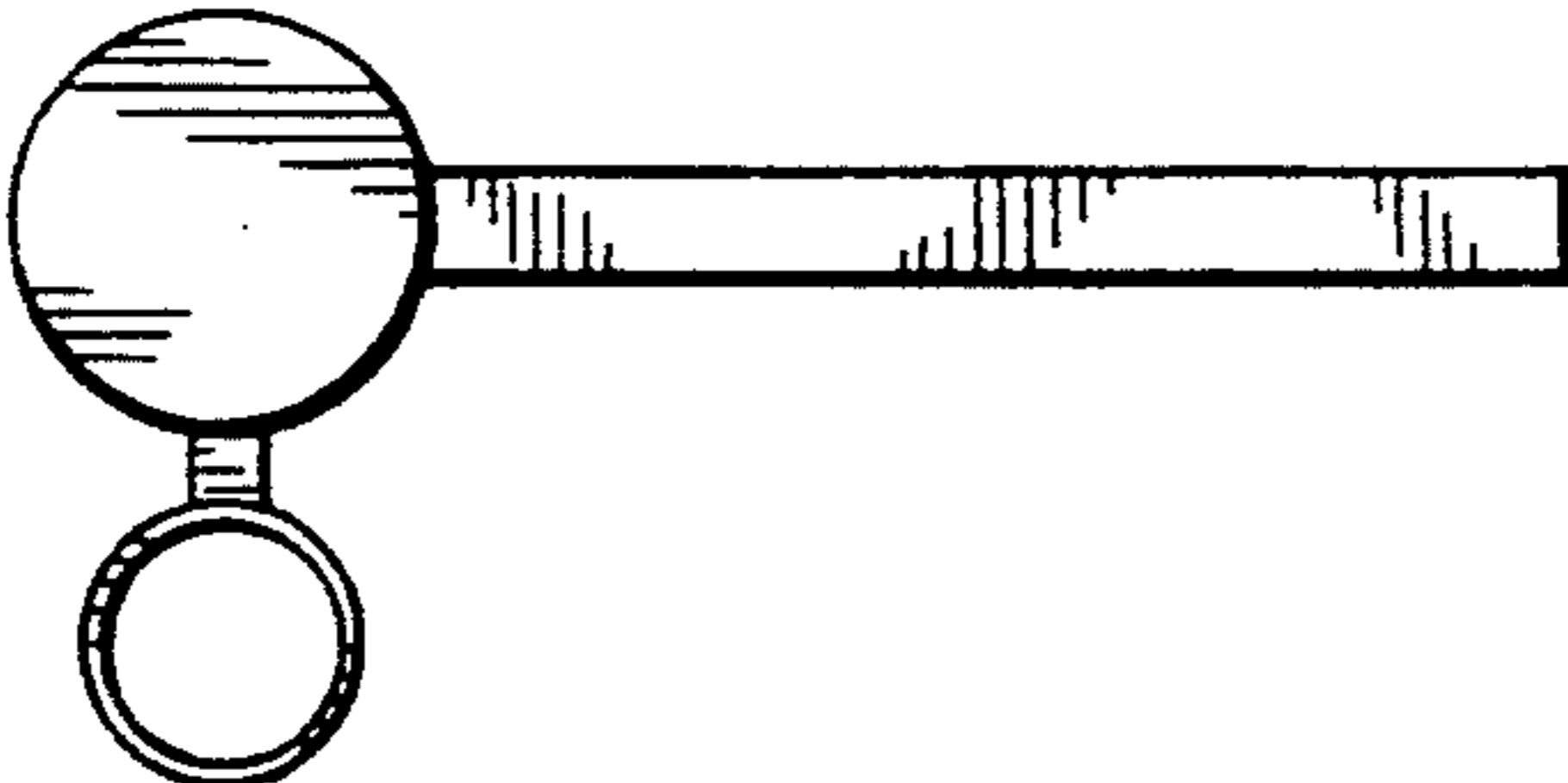


FIG. 3

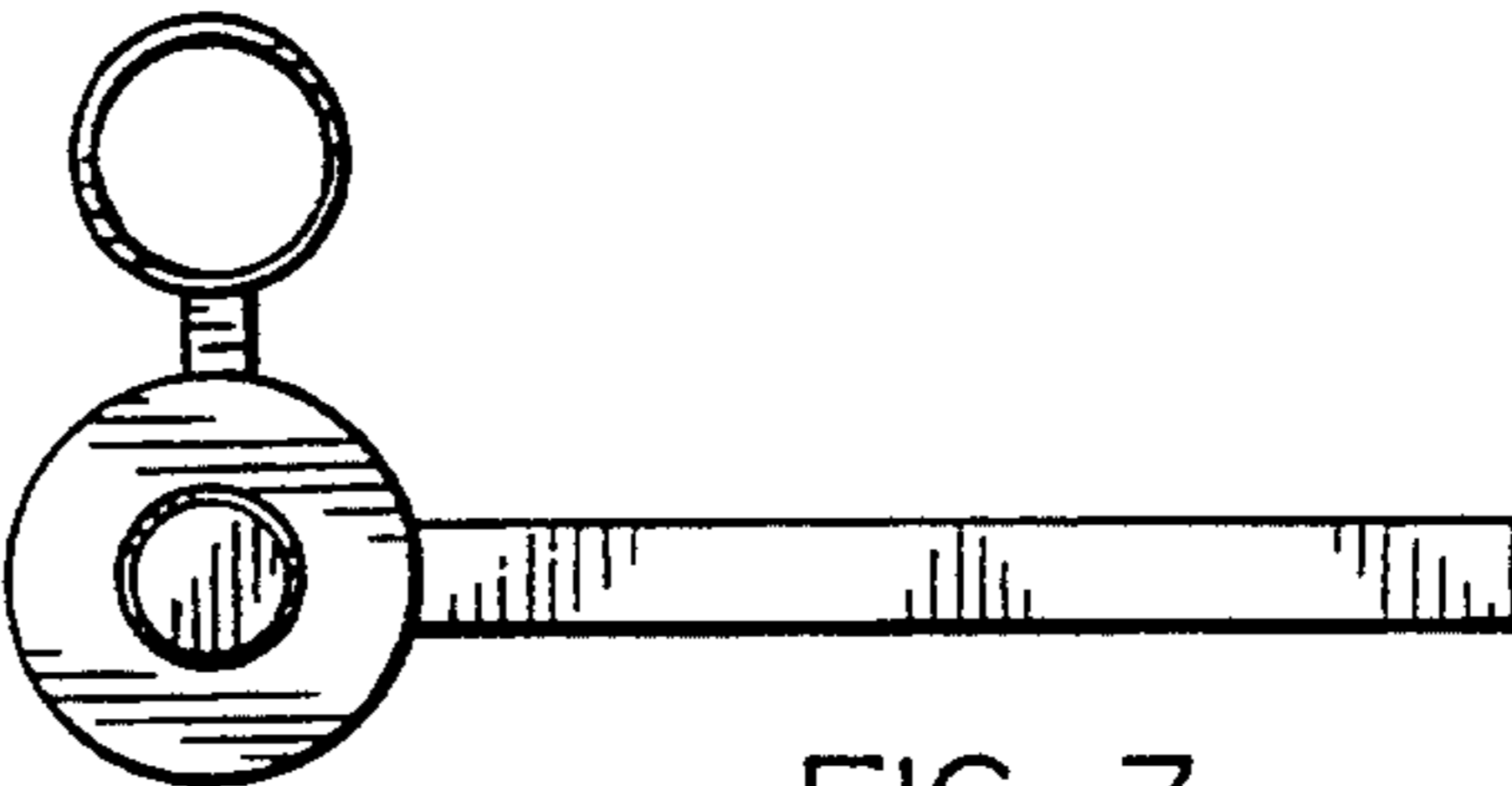


FIG. 2

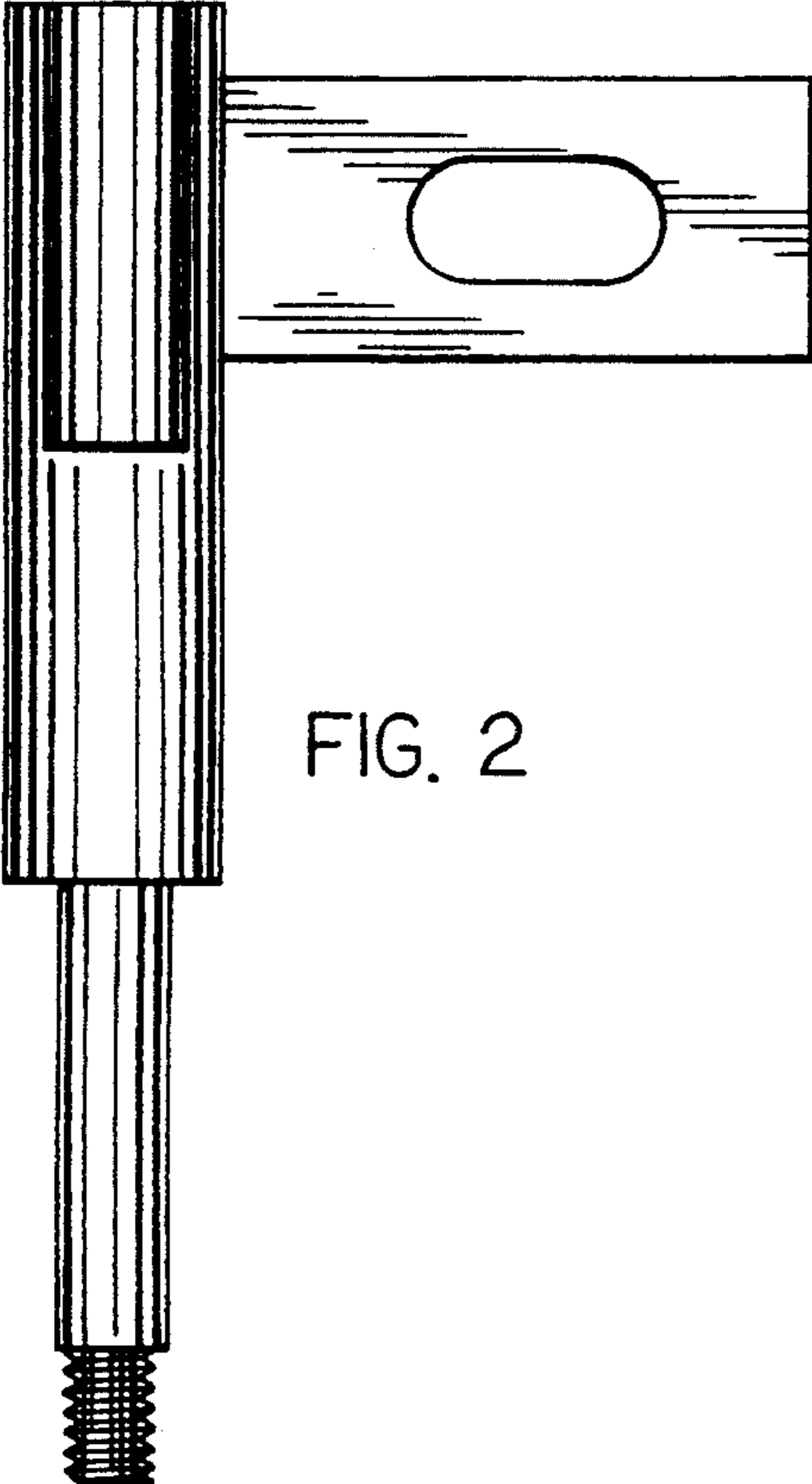


FIG. 4

