



US00D354900S

United States Patent [19]

[11] Patent Number: **Des. 354,900**

Hirai

[45] Date of Patent: **** Jan. 31, 1995**

- [54] **RETRACTABLE BLADE KNIFE**
- [75] Inventor: **Kikuji Hirai, Osaka, Japan**
- [73] Assignee: **NT Incorporated, Osaka, Japan**
- [**] Term: **14 Years**
- [21] Appl. No.: **6,568**
- [22] Filed: **Apr. 1, 1993**
- [30] **Foreign Application Priority Data**
 Jan. 8, 1993 [JP] Japan 5-283
- [52] **U.S. Cl.** **D8/99**
- [58] **Field of Search** **D8/98, 99, 107;**
D22/118; 30/162, 320, 329, 335, 337

- 4,233,734 11/1980 Bies 30/162
- 4,240,202 12/1980 Gilbert 30/162
- 4,615,118 10/1986 Ihata 30/162

Primary Examiner—Bernard Ansher
Assistant Examiner—Philip Hyder
Attorney, Agent, or Firm—Griffin Butler Whisenhunt & Kurtossy

[57] CLAIM

The ornamental design for a retractable blade knife, as shown and described.

DESCRIPTION

FIG. 1 is a perspective view of a retractable blade knife showing my new design with the blade in a retracted position;
 FIG. 2 is a top plan view thereof with the blade in an extended position;
 FIG. 3 is a bottom plan view thereof;
 FIG. 4 is a left side elevational view thereof;
 FIG. 5 is a right side elevational view thereof;
 FIG. 6 is a front elevational view thereof with the blade in an extended position; and,
 FIG. 7 is a rear elevational view thereof with the blade in an extended position.

- [56] **References Cited**
- U.S. PATENT DOCUMENTS**
- D. 263,277 3/1982 Gregoire D8/99
- D. 264,799 6/1982 Osada D8/99
- D. 264,800 6/1982 Osada D8/99
- D. 264,802 6/1982 Osada D8/99
- D. 264,803 6/1982 Osada D8/99
- D. 324,475 3/1992 Staubitz et al. D8/99
- 3,448,518 6/1969 Sklar 30/162
- 4,226,020 10/1980 Quenot et al. 30/320

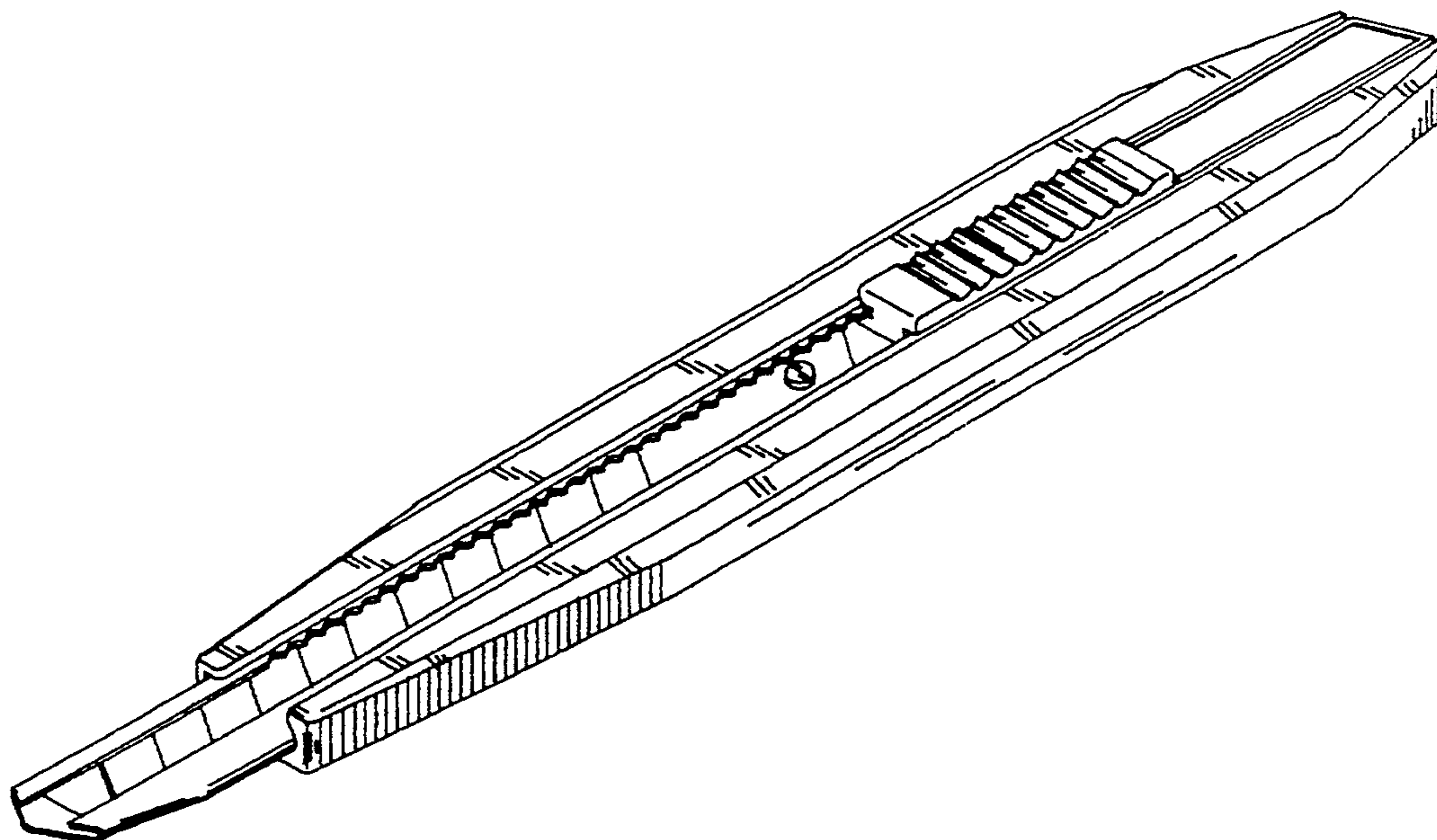


FIG. 1

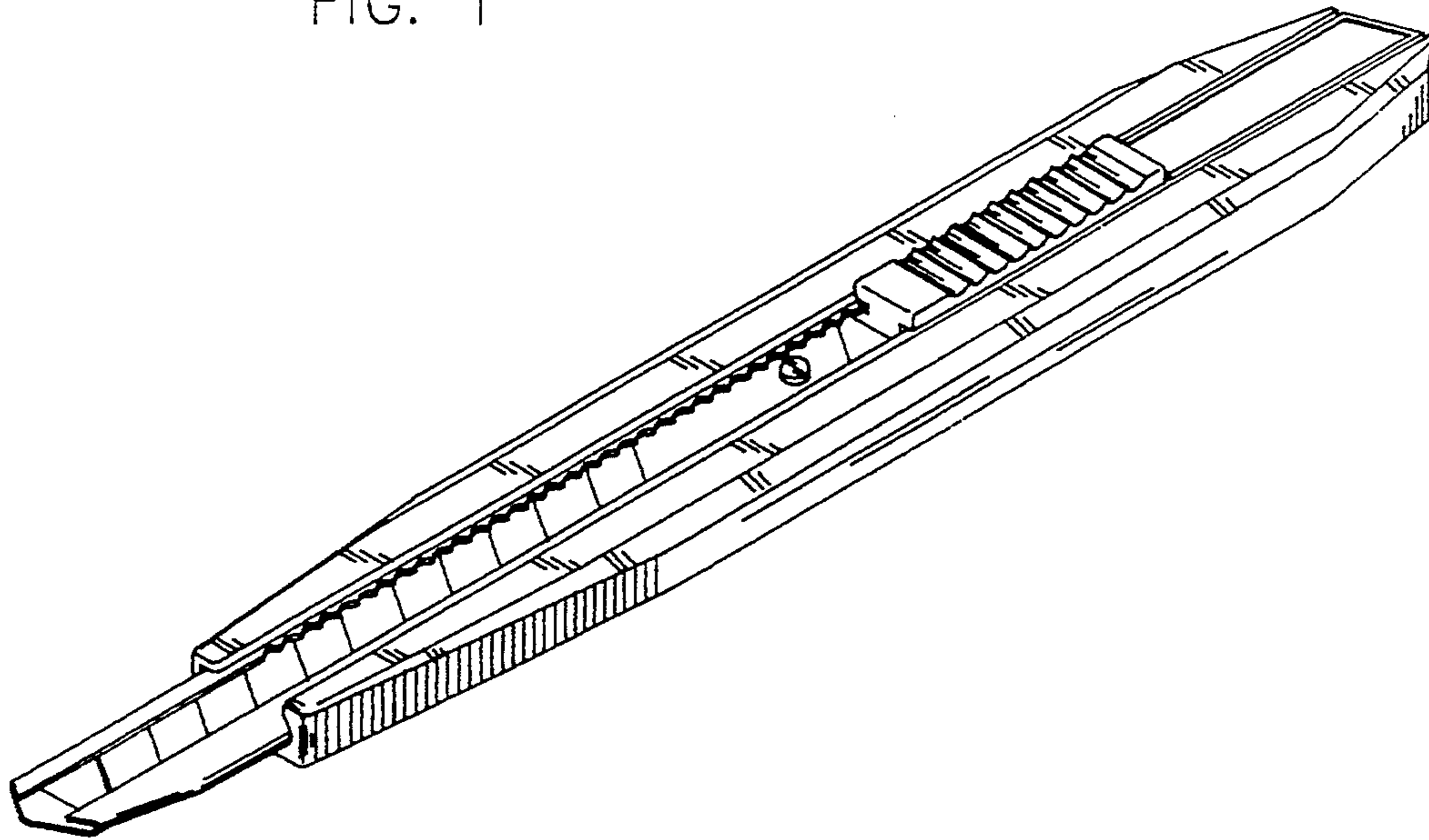


FIG. 2

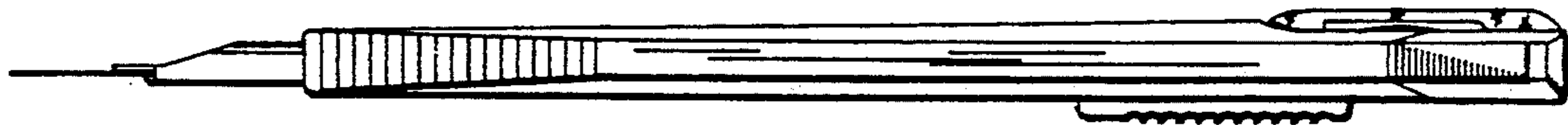


FIG. 3

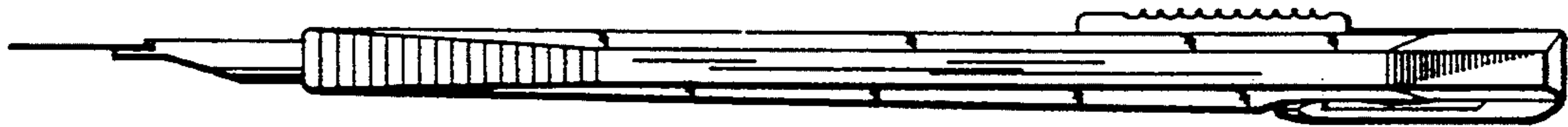


FIG. 4



FIG. 5



FIG. 6

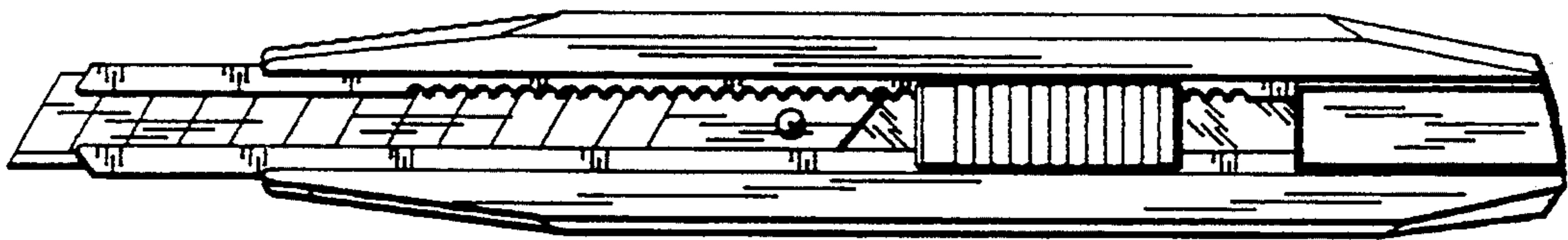


FIG. 7

